

# High speed door

## ASSA ABLOY HS9120GAT

**ASSA ABLOY**  
Entrance Systems

Experience a safer  
and more open world



### Airtight high speed door made for GMP and lower ISO certified cleanroom environments.

The ASSA ABLOY HS9120GAT is airtight and perfectly suited for cleanroom areas. The main features of the ASSA ABLOY HS9120GAT are:

- Medium-sized, max. 4000 x 4000 mm
- Airtight/Cleanroom environments
- Stainless steel 304 construction, optional galvanised steel construction
- Gravity drive system
- Opening speed up to 1,2 m/s (Option: 2,3 m/s)
- ISO class 8 certification
- GMP class D compliant design

The ASSA ABLOY HS9120GAT offers an excellent sealing thanks to its unique construction. This protects the environment from drafts and contamination from unwanted particles. With its air permeability class 3 it can withstand large and constant pressure differences.

Exceptional reliability and smooth operation is ensured by a frequency controlled motor which provides a fast but soft start and stop.

The reliable and versatile control unit ensures precise door set up and diagnostics and is enclosed in a robust hygienic stainless steel control box. A customer friendly clear display gives a wide range of information like an easy to read cycle counter.

#### Break-away and Automatic Reset system

ASSA ABLOY high speed doors are equipped with a break-away and automatic reset system. The curtain reintroduces itself after a crash to reduce downtime and maintenance.

#### Completely safe

Features that make our doors completely safe:

- The soft bottom profile has no rigid parts, it gives way should an obstruction be in the line of closing.
- If the door is hit, the fabric curtain absorbs the impact and releases itself from the side guides to limit damage to the door and surrounding area.
- Light curtain for total safety

#### Windows and vision panels

To increase the admission of daylight and visibility, the door curtain can be equipped with windows or vision panels. Windows have fixed sizes and are located on a pre-defined grid. A vision panel is always located on the full width of the door curtain.

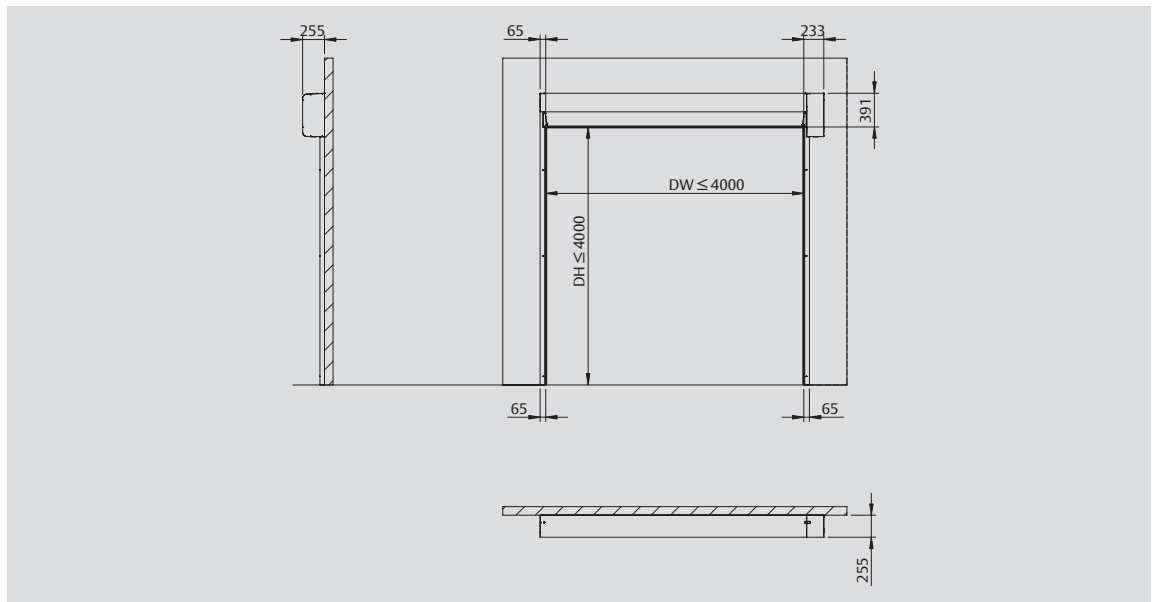


#### Technical Data

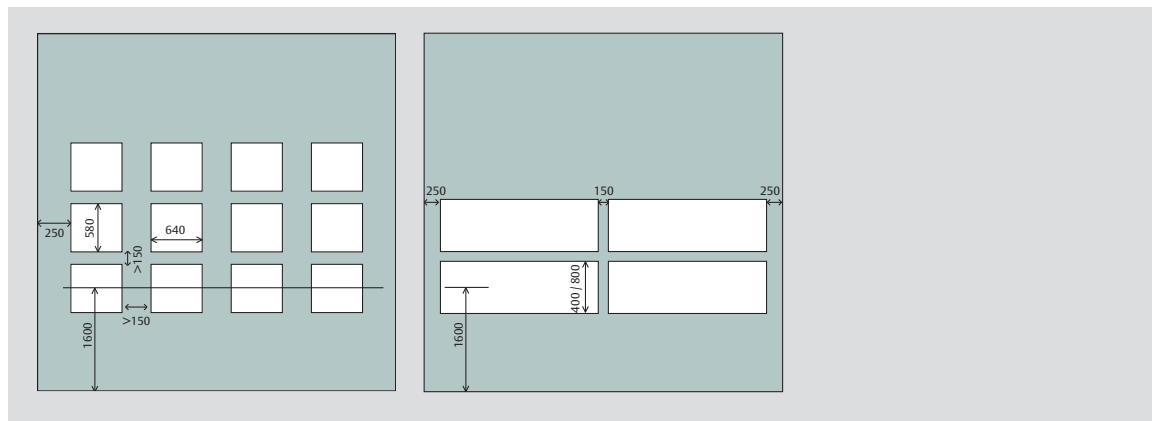
Min size (W x H)	500 x 500 mm
Max size (W x H) <sup>1</sup>	4000 x 4000 mm
Operating speed <sup>2</sup>	opening: up to 2,3 m/s closing: 0,5 m/s
Wind load resistance <sup>3</sup> , EN 12424	class 1 (300 N/m <sup>2</sup> ) maximum wind load while closing 50 N/m <sup>2</sup>
Water penetration, EN 12425	class 2
Air permeability, EN 12426	class 3, overpressure class 1, underpressure
Thermal transmittance, EN 12428	6,02 W/(m <sup>2</sup> K)
Performance Test	1.000.000 cycles

1) Other sizes available on request 2) Depending on door size  
Installed on the outside of the cleanroom

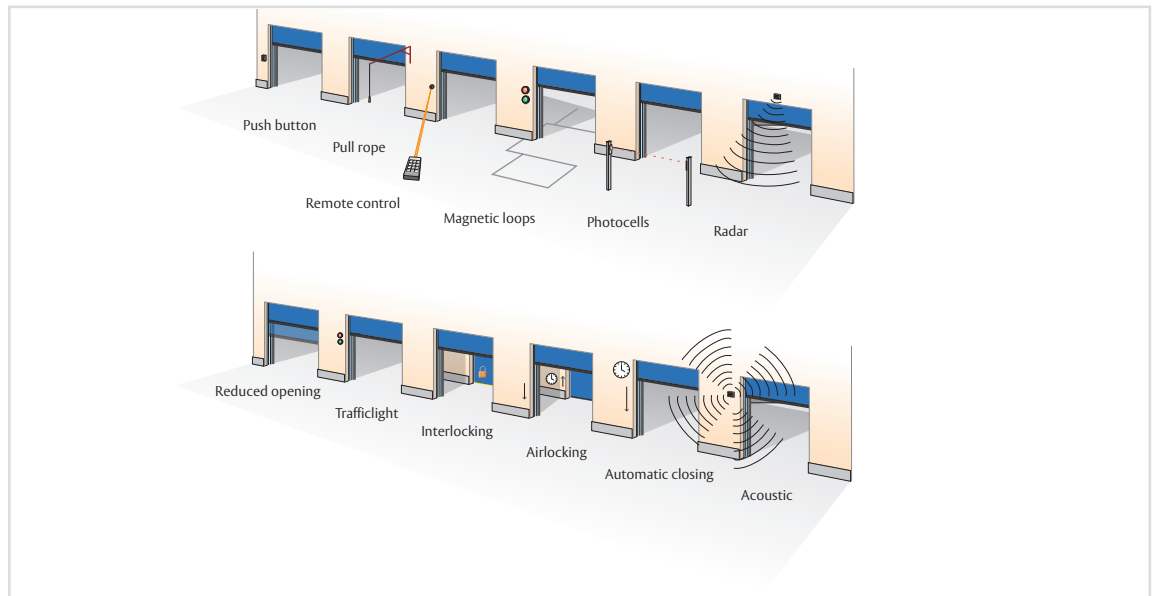
# Dimensional specifications



# Windows



# Options access and automation



# Standard available colours

