

# Swing Door Operator

## ASSA ABLOY SW110 Standard

**ASSA ABLOY**  
Entrance Systems

Experience a safer  
and more open world



A universal swing door operator that is quiet and energy efficient

### Safe, secure and highly adaptable

The ASSA ABLOY SW110 Standard is an electro-mechanical swing door operator that relies on an innovative “push-and-pull” arm system to create safe passage for anyone, and anything.

Made to blend into any environment, and due to its low-noise operation, the SW110 is ideal for every kind of setting: from healthcare facilities to airports, offices, residential buildings and busy public areas.

Furthermore, the ASSA ABLOY SW110 Standard swing door operator is fully compliant with European standards and fire approved, making it ideal for creating and maintaining security, smoke and fire zones.

### Silent and smart

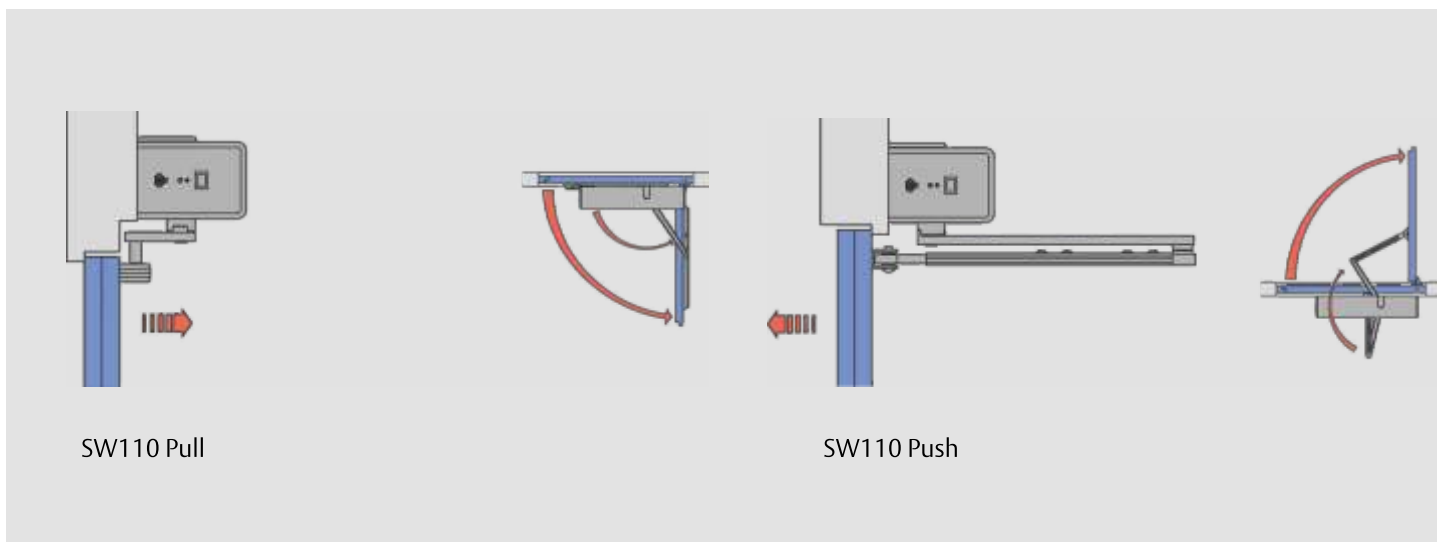
Operated by a smart low-noise drive technology, the ASSA ABLOY SW110 Standard ensures extra silent opening and closing of the door. For a more reliable performance from an operator that will experience fewer breakdowns and require less maintenance. The SW110 also comes with a host of additional features and can be adapted to meet local and national regulations.

### Technical data

Drive Dimensions	
Length	600 mm
Height	87 mm
Depth	124 mm
Door closer size	EN4 – EN6
Recommended max. door weight and door width Inertia J	Door Weight x (door width) <sup>2</sup> /3 PUSH = 65 kgm <sup>2</sup> , PULL = 65 kgm <sup>2</sup>
Power supply	230 VAC, 50/60 Hz
Power consumption	67 W
Auxiliary voltage	24 V DC, 1000 mA
Opening angle	70° – 115°
Hold-open time	3 – 20 s / 5 – 20 s
Ambient temperature	-15° C to +50° C
Relative humidity (non-condensing)	up to 85% rel. humidity, non-condensing
Type of protection	IP20
Arm systems	Standard arm push and sliding arm pull
Noise emission	Less than 45 dB

### Explore what makes ASSA ABLOY SW110 Standard stand out:

- Quiet, low-friction opening and closing technology
- Full flexibility in selecting Full Power or Low Energy operating modes
- Suitable for single and bi-parting doors with lintel or door leaf installation
- Easy to maintain and service
- Same installation set-up as our other operators, making upgrades a streamlined procedure
- Available with drive system to support different door applications
- Platform-based, coherent approach
- The sensors can be easily installed and put into operation
- The operator is encased in an elegant aluminum cover
- Delivered as an assembly kit for easy on-site installation



SW110 Pull

SW110 Push

### Full power or low energy operating mode

The powerful operator installed in the ASSA ABLOY SW110 Standard is universally applicable, able to handle large and heavy doors without the installation of additional upgrade modules. Requiring few to no sensors, it can be set to different modes to adjust settings such as opening speed and kinetic energy.

### Designed to fit any requirement

- **Single door operator:** one drive unit and one control unit fitted under cover
- **Double door operator:** two door operators available with different options, such as modular
- **Performance:** able to move high-weight doors of up to 300 kg
- Program door speed to meet your needs (from 3 to 20 s to open and 5 to 20 s to close)
- Program time doorway remains fully open (from 0 to 60 s)

### Functional on any level

“Push and go” makes the door open automatically from closed position if manually pushed.

**PUSH** (standard push arm system) - The operator is installed on the wall on the opposite side as the door swing with a door opening angle adjustable to 115°

**PULL** (sliding arm system) – The operator is installed on the wall on the same side as the door swing with a door opening angle adjustable to 115°

**LEVER ADAPTERS** – Allow the operator to be fitted higher on the wall or the arm lower on the door leaf.

**POWER ASSIST** – Heavy doors can be opened manually with minimum effort.

This equipment should be installed, regularly inspected, maintained and serviced by trained and authorized personnel. Preventive maintenance plans are highly recommended for a proper and safe operation. Talk to your ASSA ABLOY Entrance Systems representative to learn more about our service offering

### Accessories and options

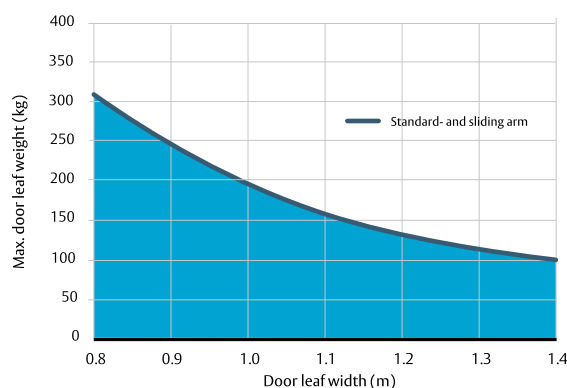
Extension unit FEM1 – Used if additional functions are required, e.g. interlock system, configurable input- and output signals

Finger trap protection devices

Manual and automatic activation units

Impulse and presence detection sensors

Program selectors, electronic or key-operated



Recommended door leaf width for door closer classes

