

STATE WHEN ORDERING

HI = ..... mm

Surface treatment of outer walls

- Stainless steel cladding
- Special anodized .....
- RAL .....
- Special powder coating .....
- .....

Surface treatment of door leaves

- Stainless steel cladding
- Special anodized .....
- RAL .....
- Special powder coating .....
- .....

Option

- Ground ring
- Rain water protection over opening

See Standard product list for other options

	RD300-3	D	DT
<input type="checkbox"/>	-18	1800	1852
<input type="checkbox"/>	-21	2100	2152
<input type="checkbox"/>	-24	2400	2452
<input type="checkbox"/>	-27	2700	2752
<input type="checkbox"/>	-30	3000	3052

Note: RD300-4 and NCD are in next layer

Customer: \_\_\_\_\_

Ref: \_\_\_\_\_

Door id: \_\_\_\_\_

Date: \_\_\_\_\_

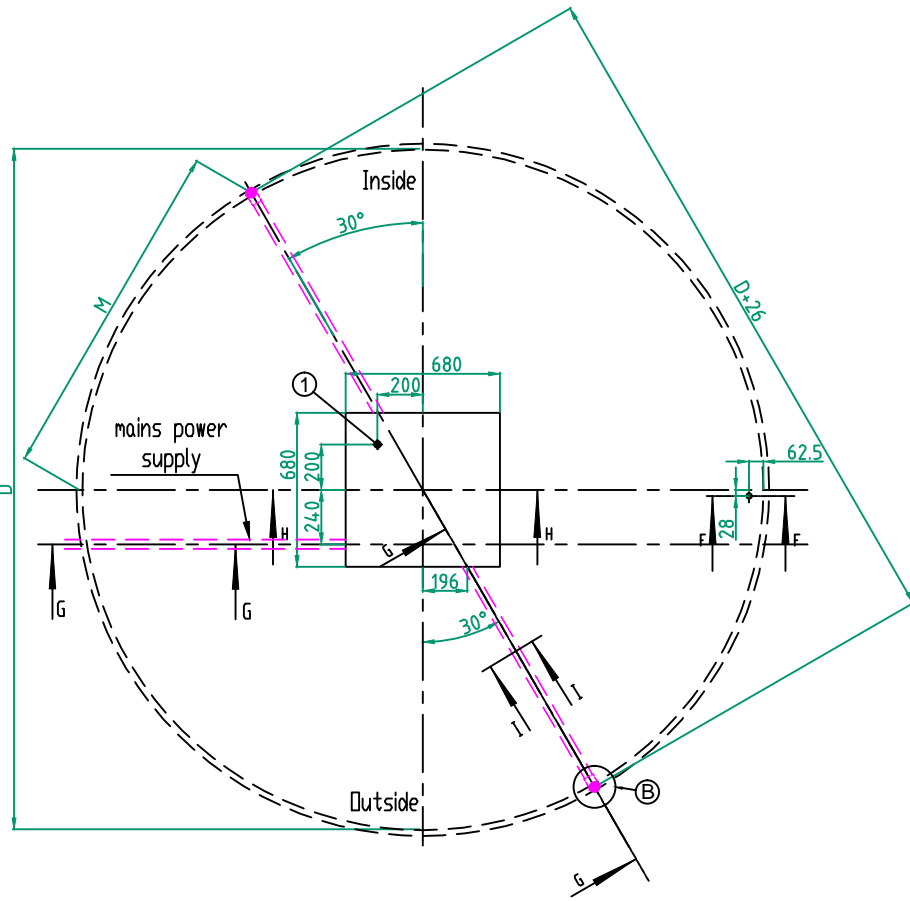
Project No: \_\_\_\_\_

Sign: \_\_\_\_\_

Revolving door  
 ASSA ABLOY RD300-3  
 Front view  
 Art. No. 1011085



5.0 1013877-en



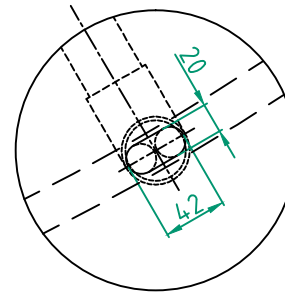
Note: RD300-4 and NCD are in next layer

RD300-3	D	D+26	M	W1	W2
□-18	1800	1826	913	812	477
□-21	2100	2126	1063	998	586
□-24	2400	2426	1213	1198	703
□-27	2700	2726	1363	1413	830
□-30	3000	3026	1513	1641	964

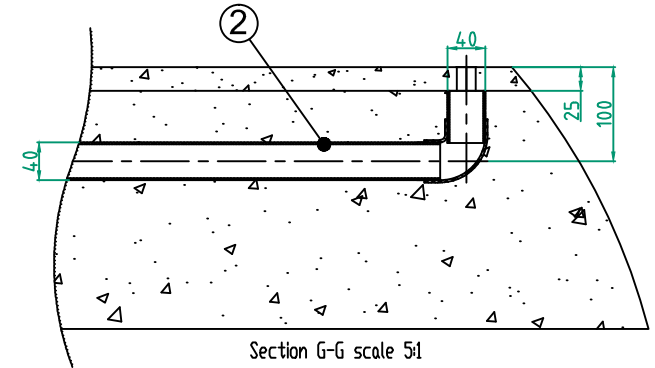
W1 = Weight (kg) distributed over the fixing rail  
 W2 = Weight (kg) distributed over the base plate

Note! ① Ø30mm drainage hole (Connect the public sewer)

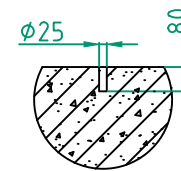
② The cable tube for mains power supply should be embedded in concrete, and cover the cable tube to prevent it blocked when drill the cable hole.



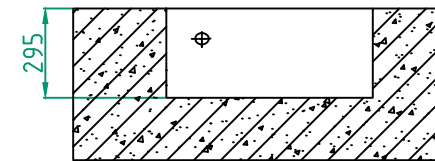
B scale 5:1



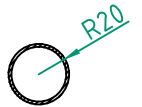
Section G-G scale 5:1



Section F-F



Section H-H



Section I-I scale 5:1

Customer: \_\_\_\_\_

Door id: \_\_\_\_\_

Project No: \_\_\_\_\_

Ref: \_\_\_\_\_

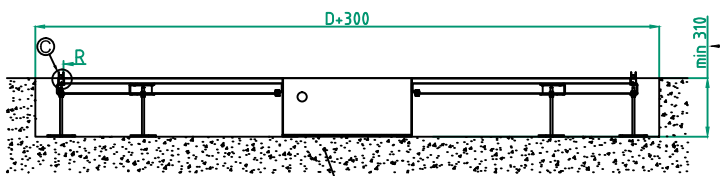
Date: \_\_\_\_\_

Sign: \_\_\_\_\_

Revolving door  
 ASSA ABLOY RD300-3  
 Floor preparation  
 Art. No. 1011085

**ASSA ABLOY**

5.0 1013877-en

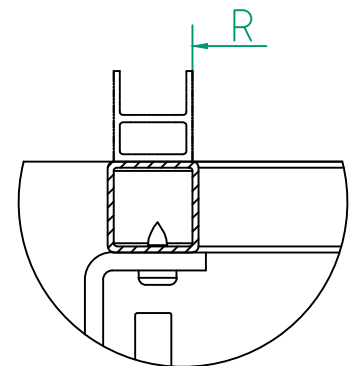
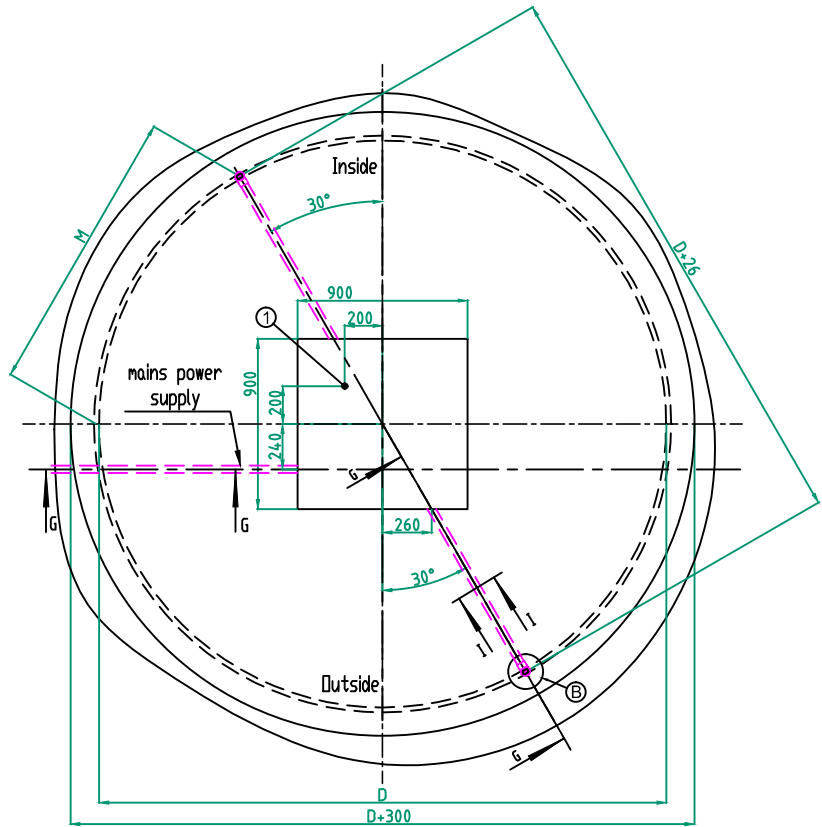
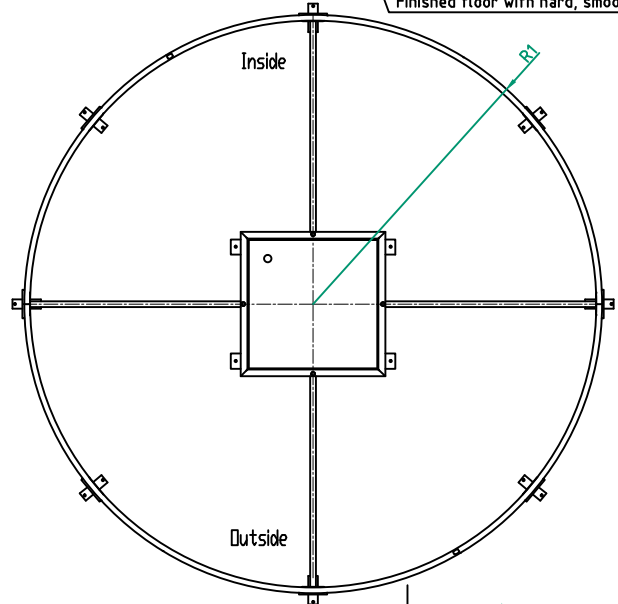


RD300-3	D	R	R1	D+26	D+300	M	W1	W2	
<input type="checkbox"/>	-18	1800	900	928	1826	2100	913	812	477
<input type="checkbox"/>	-21	2100	1050	1078	2126	2400	1063	998	586
<input type="checkbox"/>	-24	2400	1200	1228	2426	2700	1213	1198	703
<input type="checkbox"/>	-27	2700	1350	1378	2726	3000	1363	1413	830
<input type="checkbox"/>	-30	3000	1500	1528	3026	3300	1513	1641	964

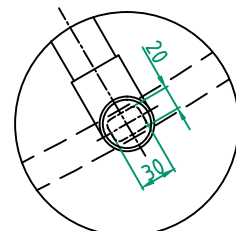
If tiles or matt, lower the box the same thickness.

W1 = Weight (kg) distributed over the fixing rail  
 W2 = Weight (kg) distributed over the base plate

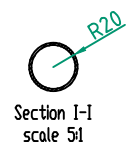
Note! ① Ø30mm drainage hole (Connect the public sewer)  
 ② Cover the cable tube with shrink tube to prevent it blocked, fix the inner end of cable tube to the hole in cover box, fix the outer end of cable tube to ground ring.



C Scale 5:1

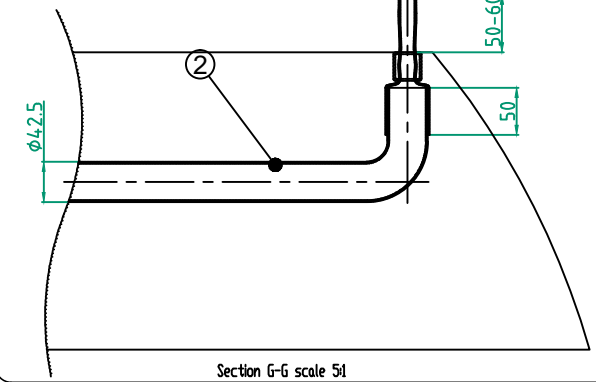


B scale 5:1



Section I-I scale 5:1

Note: RD300-4 and NCD are in next layer



Section G-G scale 5:1

Customer: \_\_\_\_\_

Door id: \_\_\_\_\_

Project No: \_\_\_\_\_

Ref: \_\_\_\_\_

Date: \_\_\_\_\_

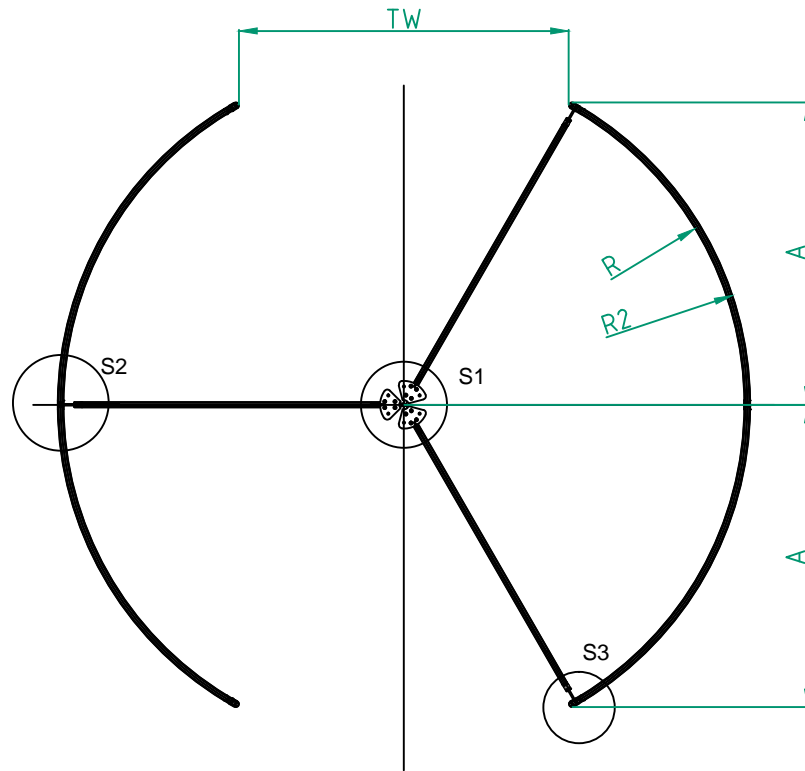
Sign: \_\_\_\_\_

Revolving door  
 ASSA ABLOY RD300-3  
 Floor preparation for ground ring  
 Art. No. 1011085

**ASSA ABLOY**

5.0 1013877-en

RD300-3	R	R2	A	TW
□ -18	900	926	813	853
□ -21	1050	1076	943	1003
□ -24	1200	1226	1073	1153
□ -27	1350	1376	1203	1303
□ -30	1500	1526	1333	1453



Note: RD300-4 and NCD are in next layer

Customer:

Ref:

Door id:

Date:

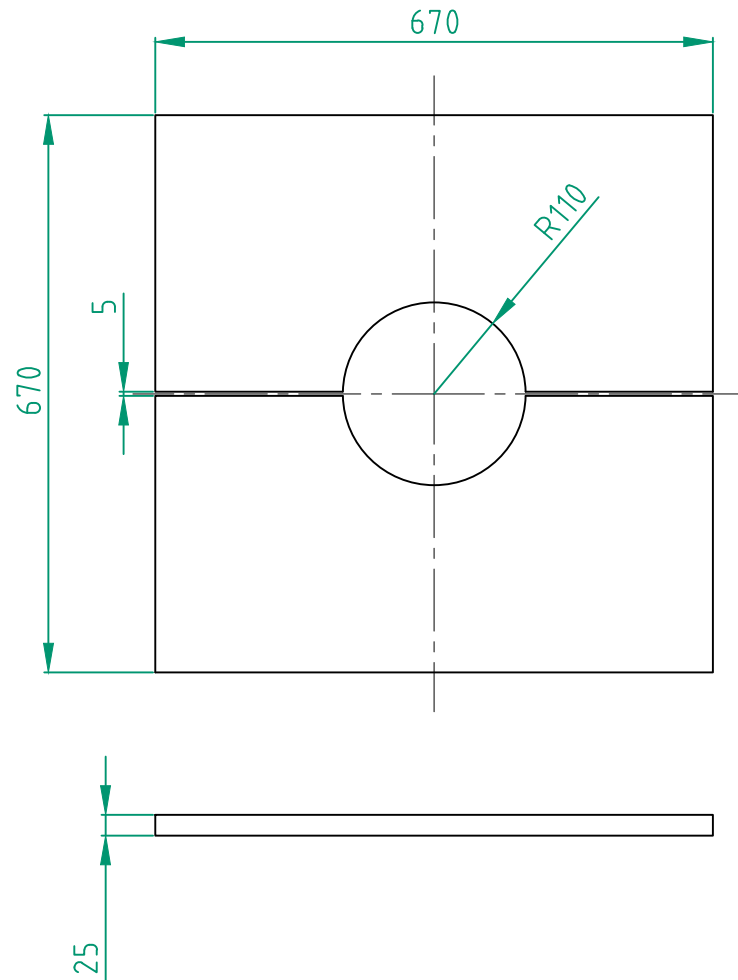
Project No:

Sign:

Revolving door  
ASSA ABLOY RD300-3  
Top view  
Art. No. 1011085

**ASSA ABLOY**

5.0 1013877-en



The center plate is provided by customer, it is used to cover the drive unit box. It consists of two separate pieces for easy installation. The material of the center plate is the same as the floor surface. For the thickness of the center plate, it should be 25mm, if the thickness is less than 25mm, please put the rubber plate under the center plate to make the total thickness as 25mm.

Customer:

Ref:

Door id:

Date:

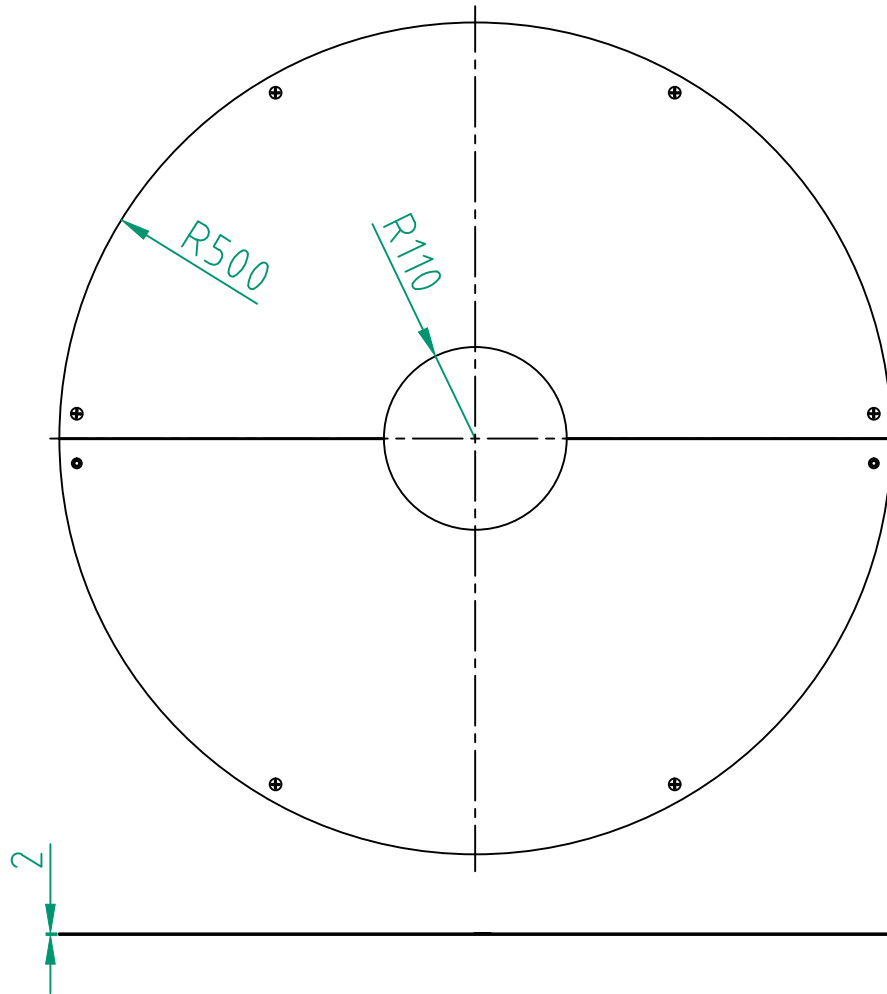
Project No:

Sign:

Revolving door  
ASSA ABLOY RD300-3 and ASSA ABLOY RD300-4  
Center plate  
Art. No. 1011085

**ASSA ABLOY**

5.0 1013877-en



Customer:

Ref:

Door id:

Date:

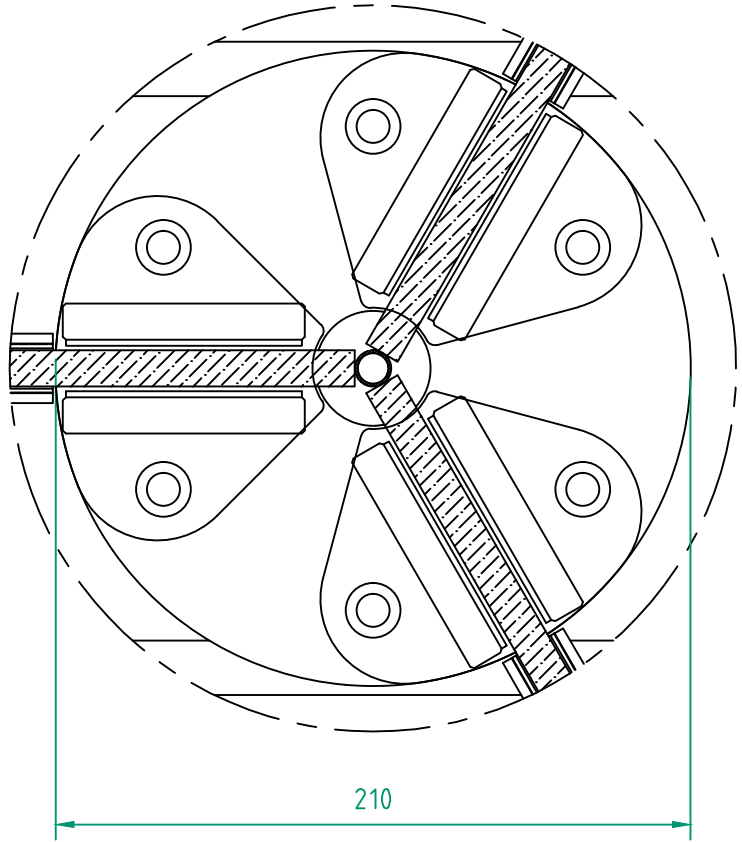
Project No:

Sign:

Revolving door  
ASSA ABLOY RD300-3 and ASSA ABLOY RD300-4  
Center floor cover plate  
Art. No. 1011085

**ASSA ABLOY**

5.0 1013877-en

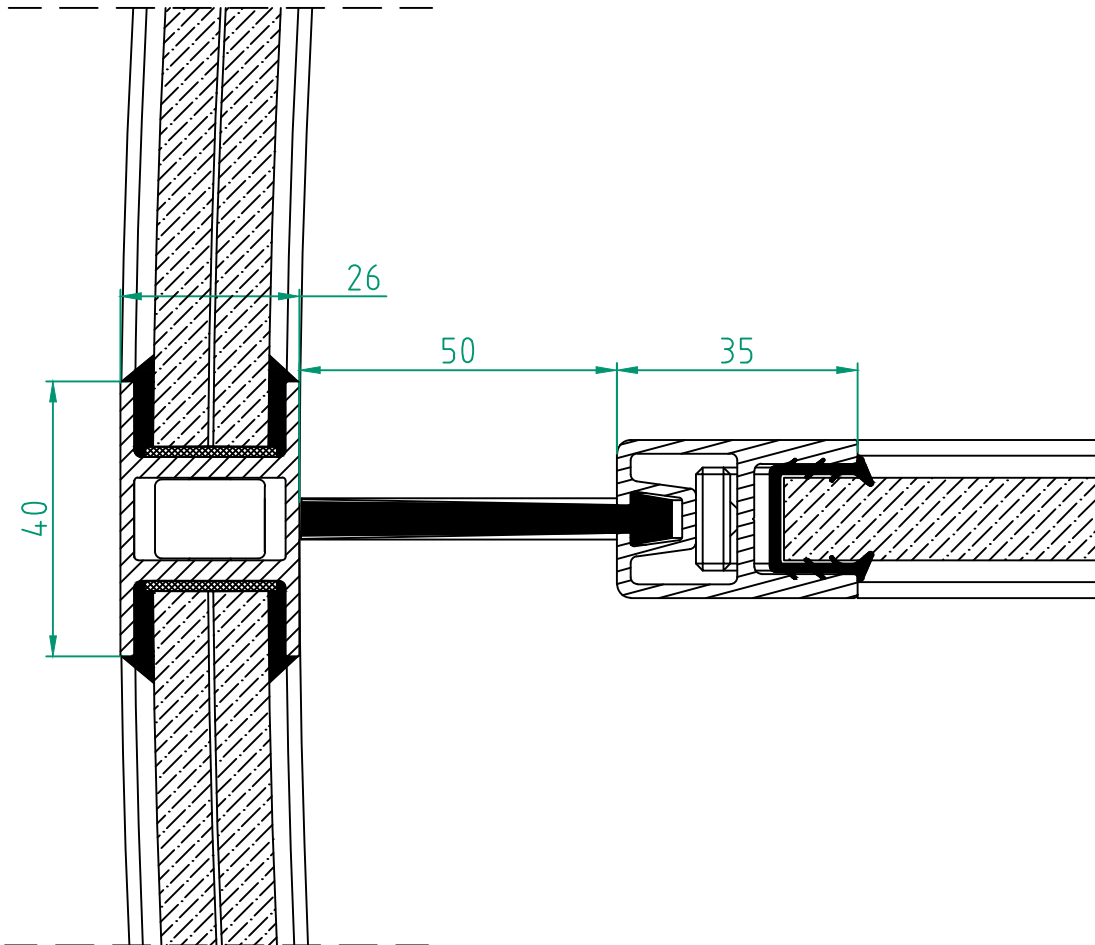


Customer:
Door id:
Project No:

Ref:
Date:
Sign:

Revolving door  
ASSA ABLOY RD300-3  
Section base plate  
Section 1

<b>ASSA ABLOY</b>
5.0 1013877-en



Customer:

Ref:

Door id:

Date:

Project No:

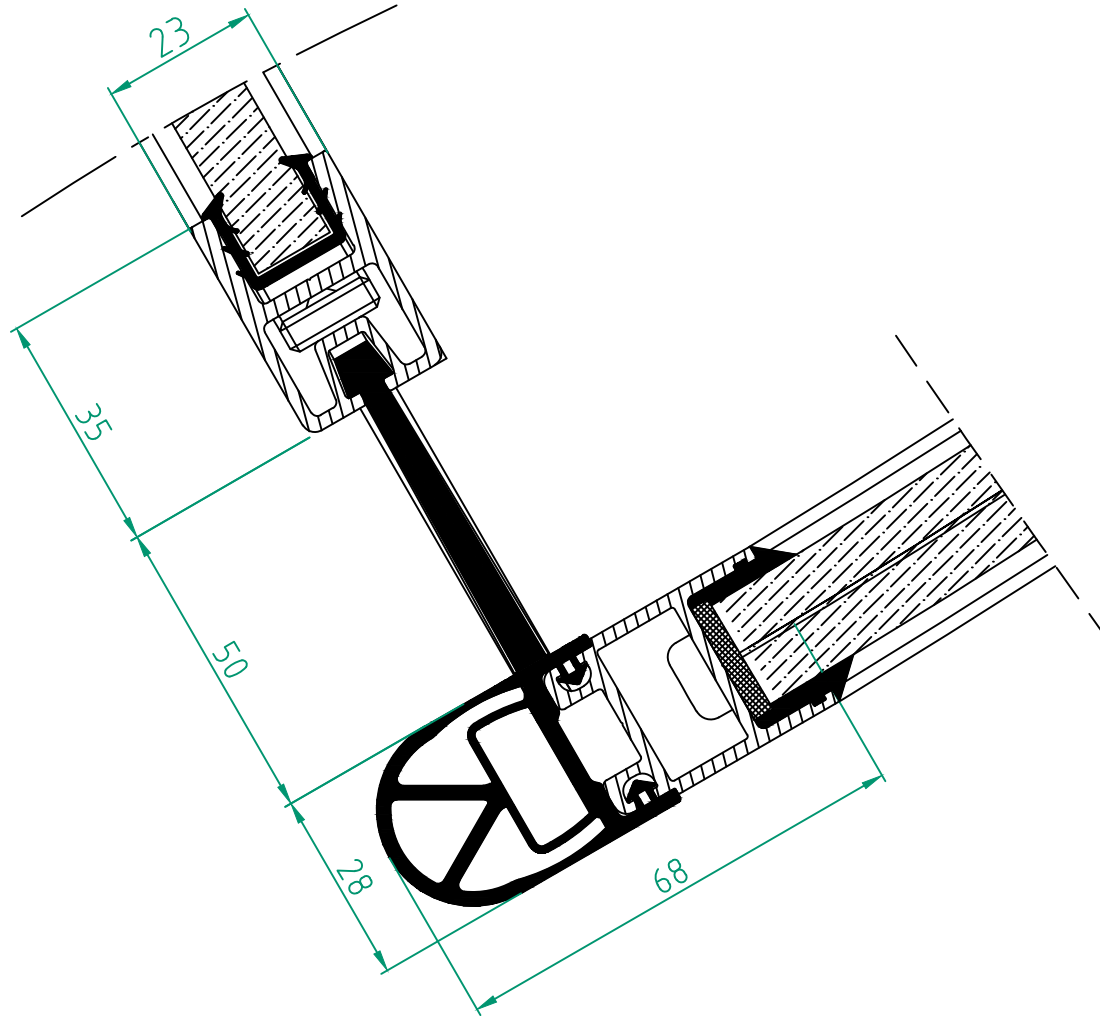
Sign:

Revolving door  
ASSA ABLOY RD300-3  
Section door-wall  
Section 2

**ASSA ABLOY**

5.0 1013877-en





Customer:

Ref:

Door id:

Date:

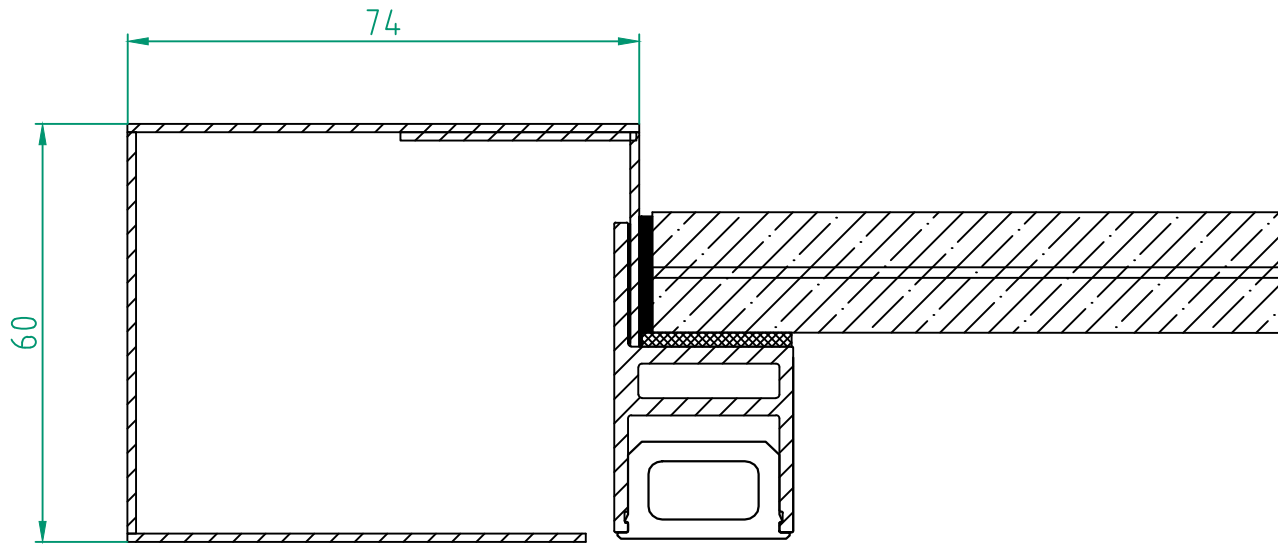
Project No:

Sign:

Revolving door  
ASSA ABLOY RD300-3 and ASSA ABLOY RD300-4  
Section door-wall  
Section 3

**ASSA ABLOY**

5.0 1013877-en



Note: Concealed sensor lid in next layer

Customer:

Ref:

Door id:

Date:

Project No:

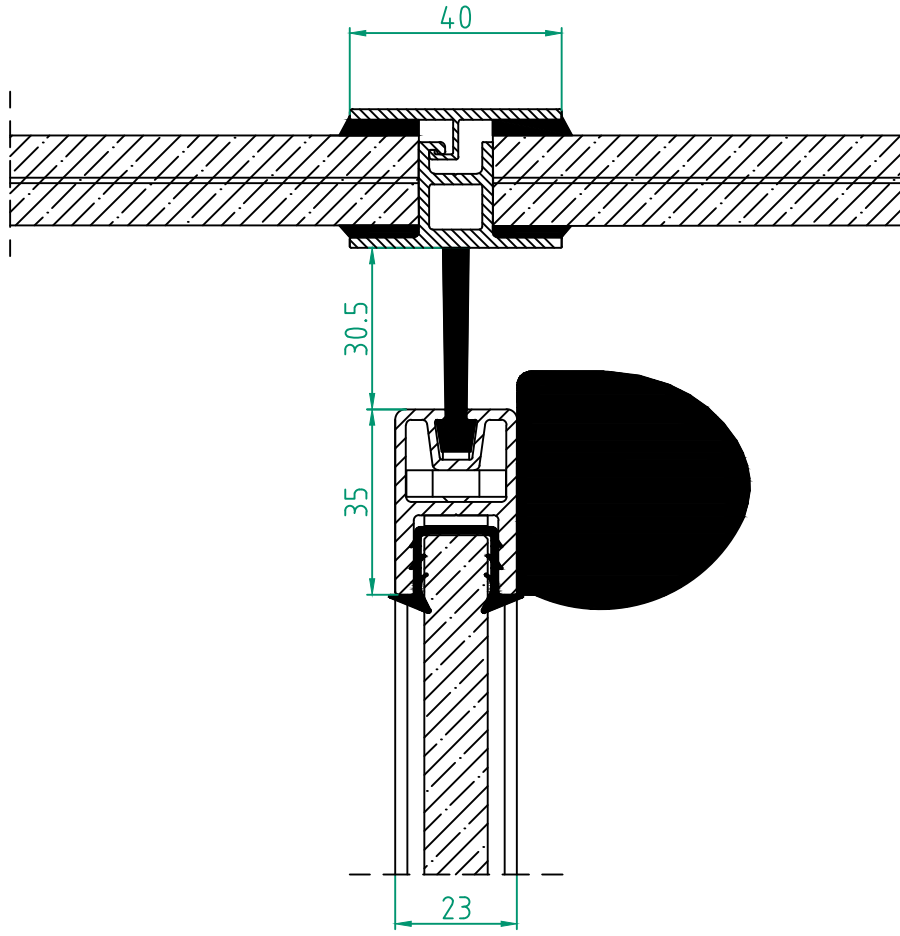
Sign:

Revolving door  
 ASSA ABLOY RD300-3 and ASSA ABLOY RD300-4  
 Section Top (Concealed sensor lid)  
 Section 4

**ASSA ABLOY**

5.0 1013877-en

© ASSA ABLOY Entrance Systems AB, 2020  
Technical data subject to change without notice.

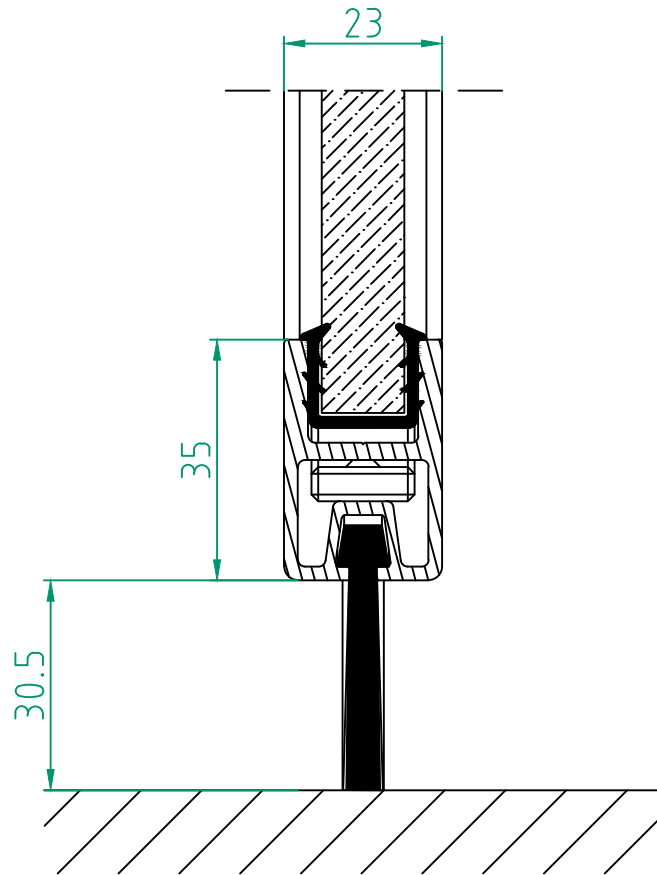


Customer:
Door id:
Project No:

Ref:
Date:
Sign:

Revolving door  
ASSA ABLOY RD300-3 and ASSA ABLOY RD300-4  
Section ceiling-door  
Section 5

<b>ASSA ABLOY</b>
5.0 1013877-en



Customer:

Ref:

Door id:

Date:

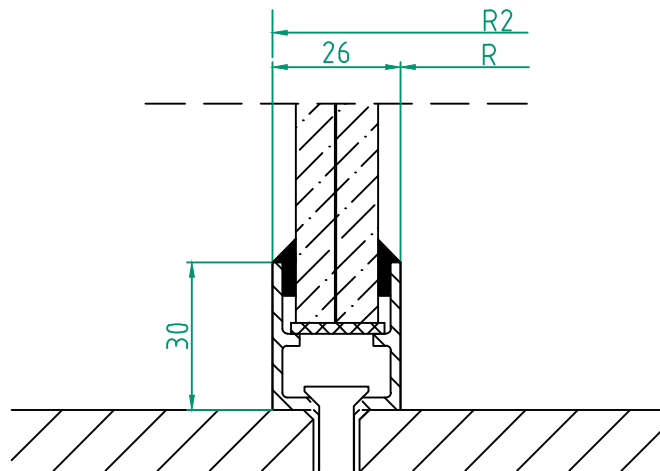
Project No:

Sign:

Revolving door  
ASSA ABLOY RD300-3 and ASSA ABLOY RD300-4  
Section floor-door  
Section 6

**ASSA ABLOY**

5.0 1013877-en



- Without ground ring
- With ground ring

© ASSA ABLOY Entrance Systems AB, 2020  
Technical data subject to change without notice.

Customer:

Ref:

Door id:

Date:

Project No:

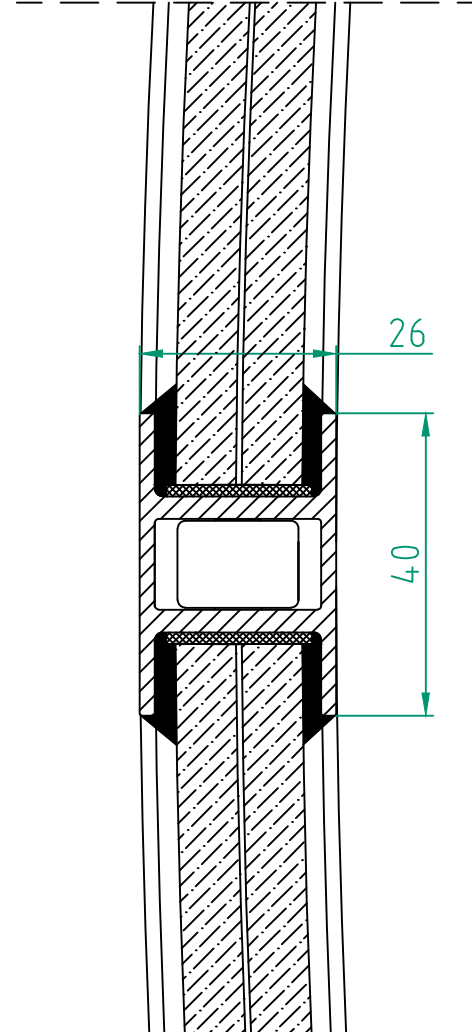
Sign:

Revolving door  
ASSA ABLOY RD300-3 and ASSA ABLOY RD300-4  
Section bottom - outer wall  
Section 7

**ASSA ABLOY**

5.0 1013877-en

© ASSA ABLOY Entrance Systems AB, 2020  
Technical data subject to change without notice.



Customer:

Ref:

Door id:

Date:

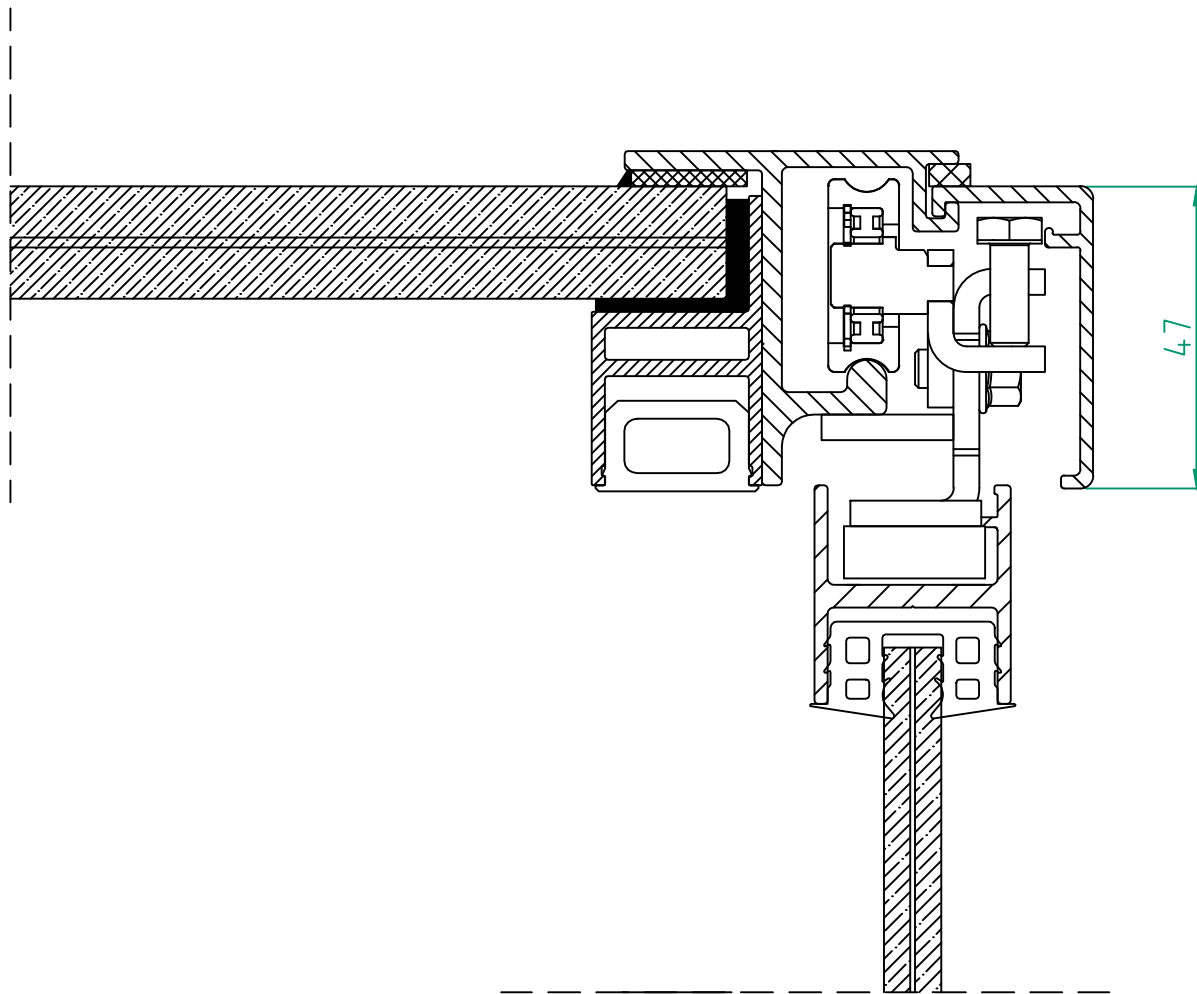
Project No:

Sign:

Revolving door  
ASSA ABLOY RD300-4  
Section mullion  
Section 8

**ASSA ABLOY**

5.0 1013877-en



Customer:

Ref:

Door id:

Date:

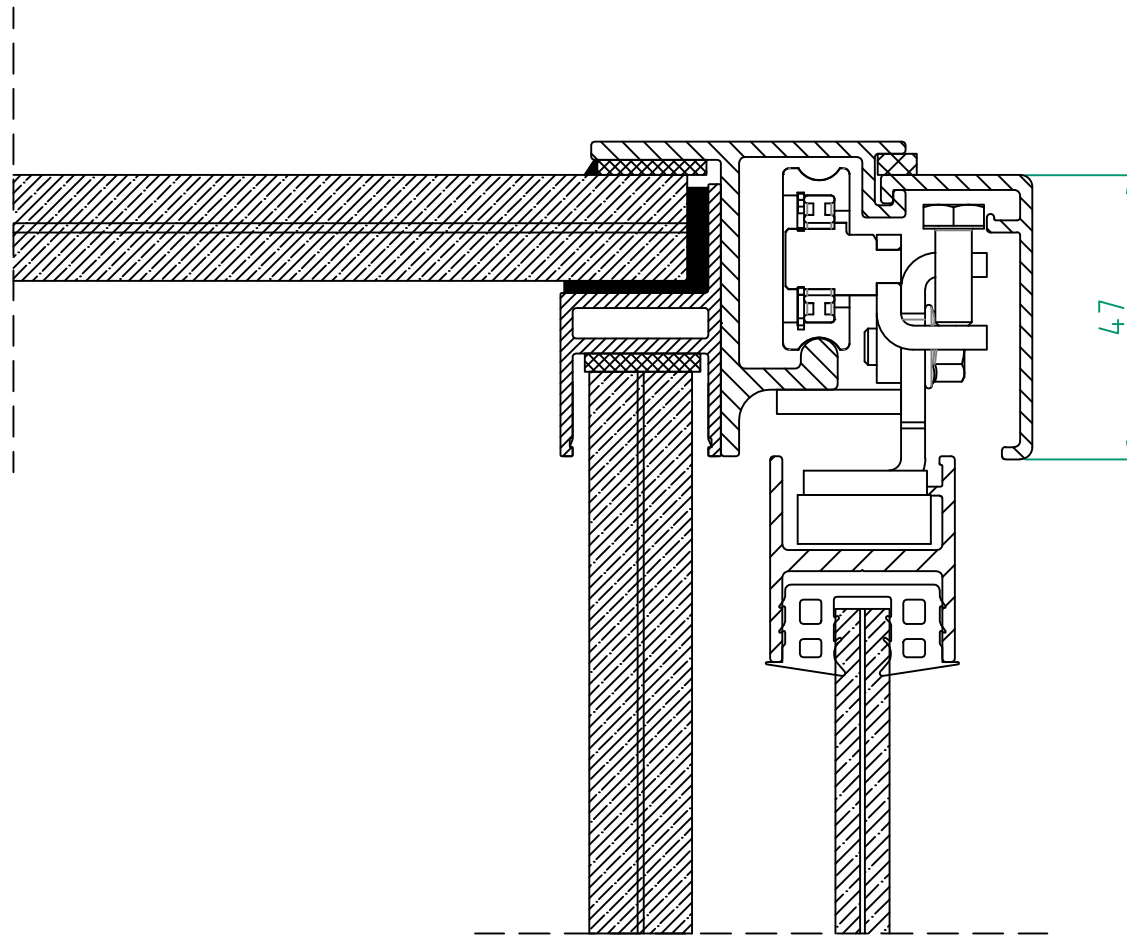
Project No:

Sign:

Revolving door  
ASSA ABLOY RD300-3 and ASSA ABLOY RD300-4  
NCD  
Section top in opening  
Section 9

**ASSA ABLOY**

5.0 1013877-en



Customer:

Ref:

Door id:

Date:

Project No:

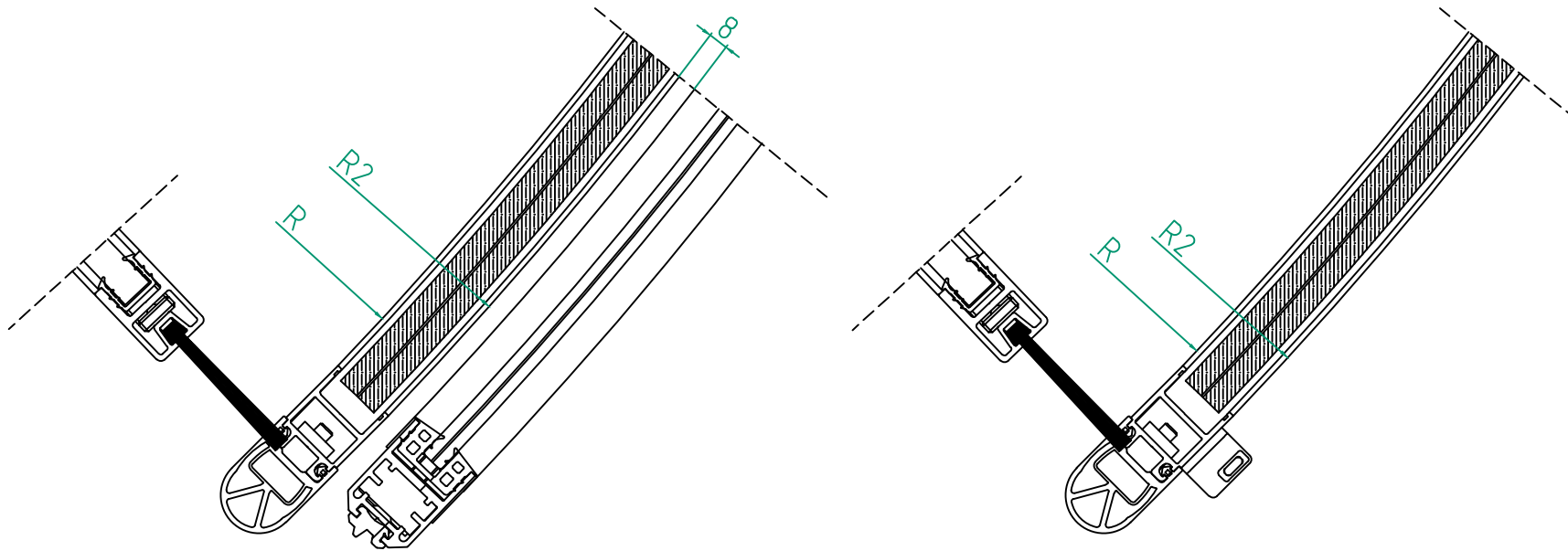
Sign:

Revolving door  
ASSA ABLOY RD300-3 and ASSA ABLOY RD300-4  
NCD  
Section top-out wall  
Section 10

**ASSA ABLOY**

5.0 1013877-en





Customer:

Ref:

Door id:

Date:

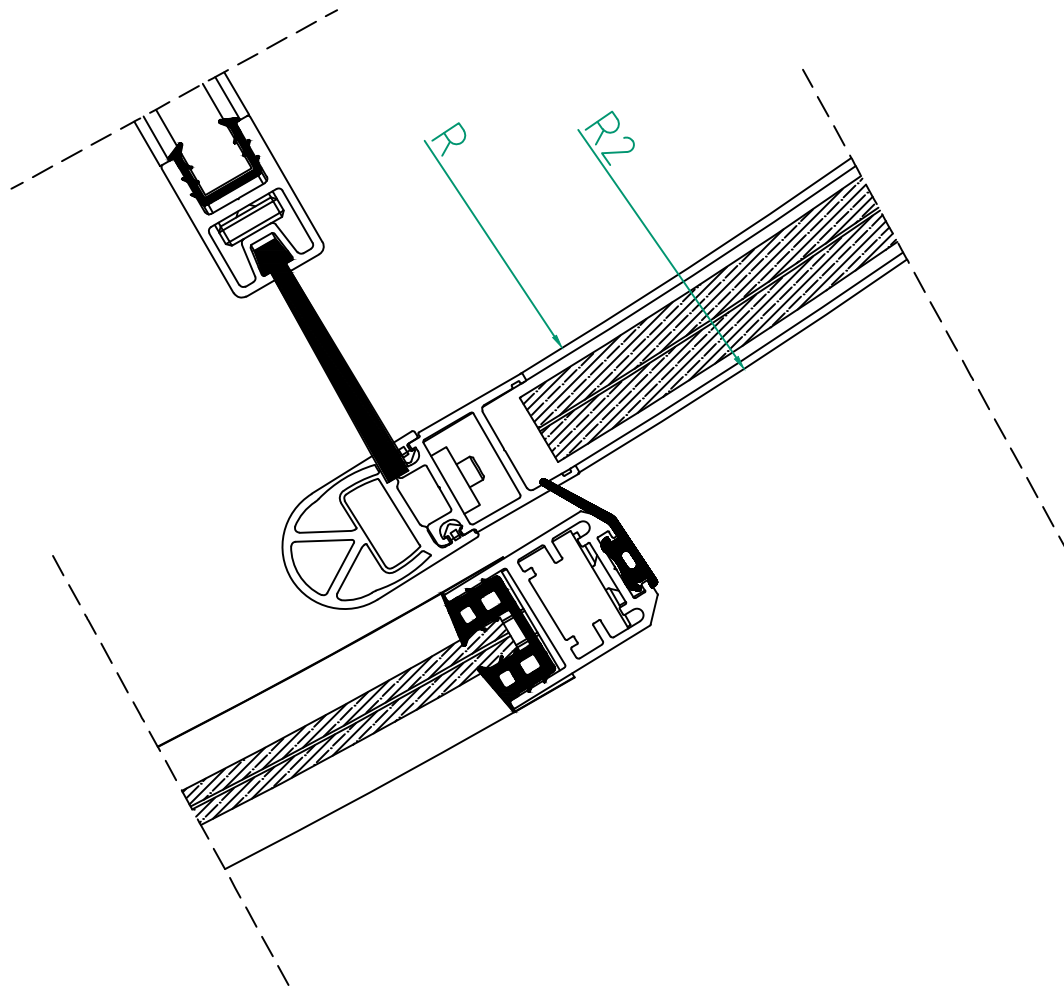
Project No:

Sign:

Revolving door  
 ASSA ABLOY RD300-3 and ASSA ABLOY RD300-4  
 NCD  
 Section opening door-wall  
 Section 11

**ASSA ABLOY**

5.0 1013877-en



Customer:

Ref:

Door id:

Date:

Project No:

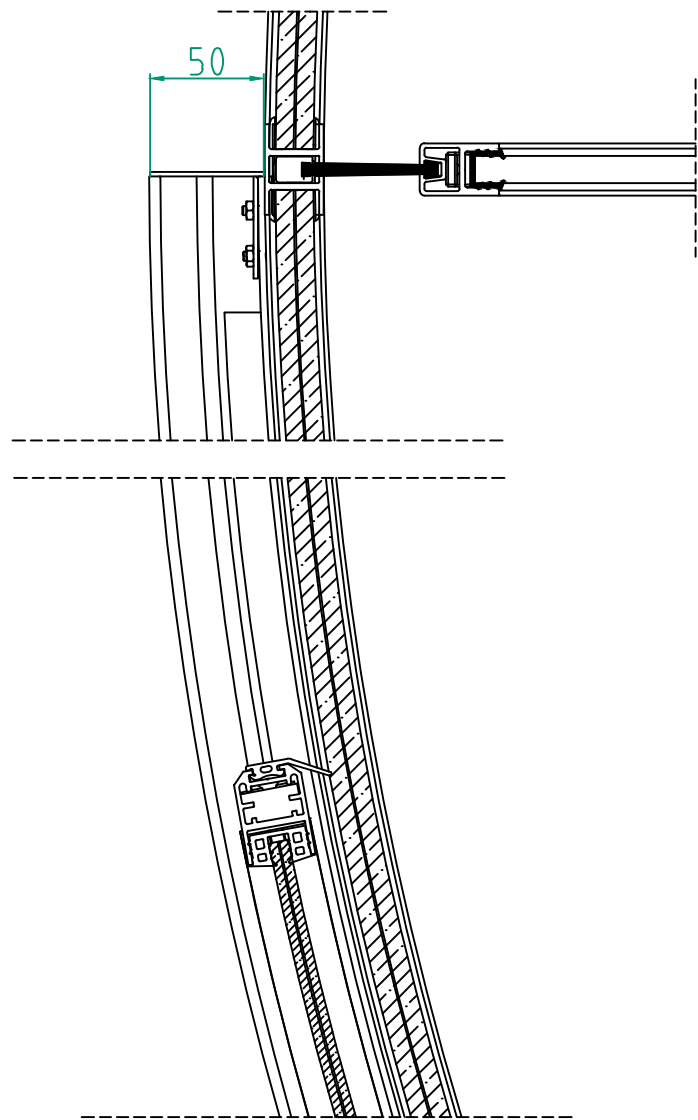
Sign:

Revolving door  
ASSA ABLOY RD300-3 and ASSA ABLOY RD300-4  
NCD  
Section closing door-wall  
Section 12

**ASSA ABLOY**

5.0 1013877-en

© ASSA ABLOY Entrance Systems AB, 2020  
Technical data subject to change without notice.



Customer:

Ref:

Door id:

Date:

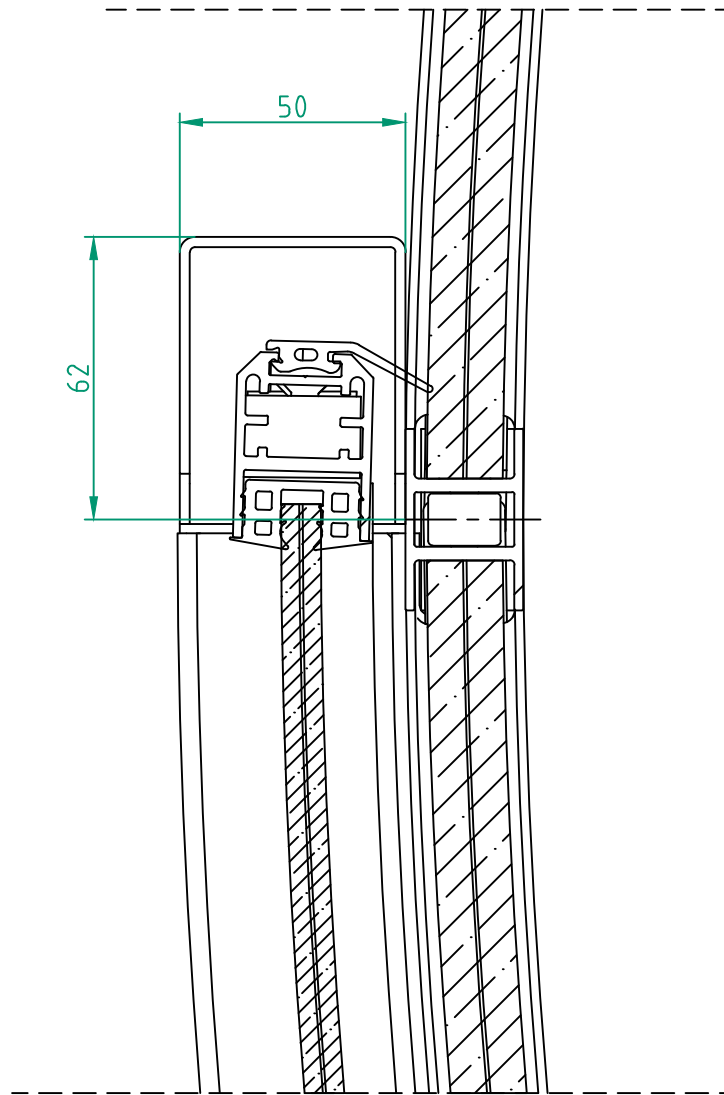
Project No:

Sign:

Revolving door  
ASSA ABLOY RD300-3  
Section NCD opening  
Section 13

**ASSA ABLOY**

5.0 1013877-en



Customer:

Ref:

Door id:

Date:

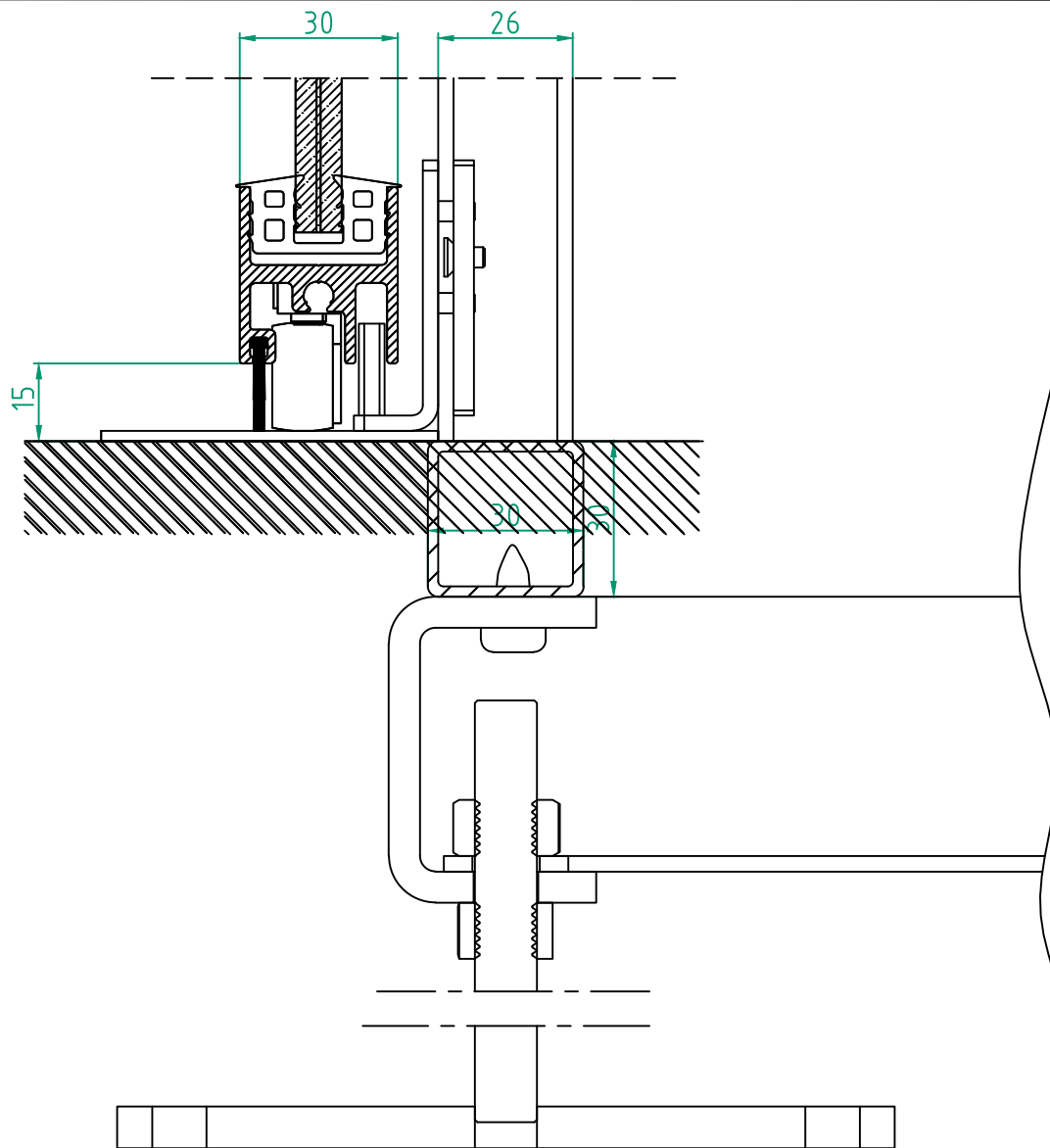
Project No:

Sign:

Revolving door  
ASSA ABLOY RD300-4  
Section NCD opening  
Section 14

**ASSA ABLOY**

5.0 1013877-en



- Without ground ring
- With ground ring

© ASSA ABLOY Entrance Systems AB, 2020  
 Technical data subject to change without notice.

Customer:

Ref:

Door id:

Date:

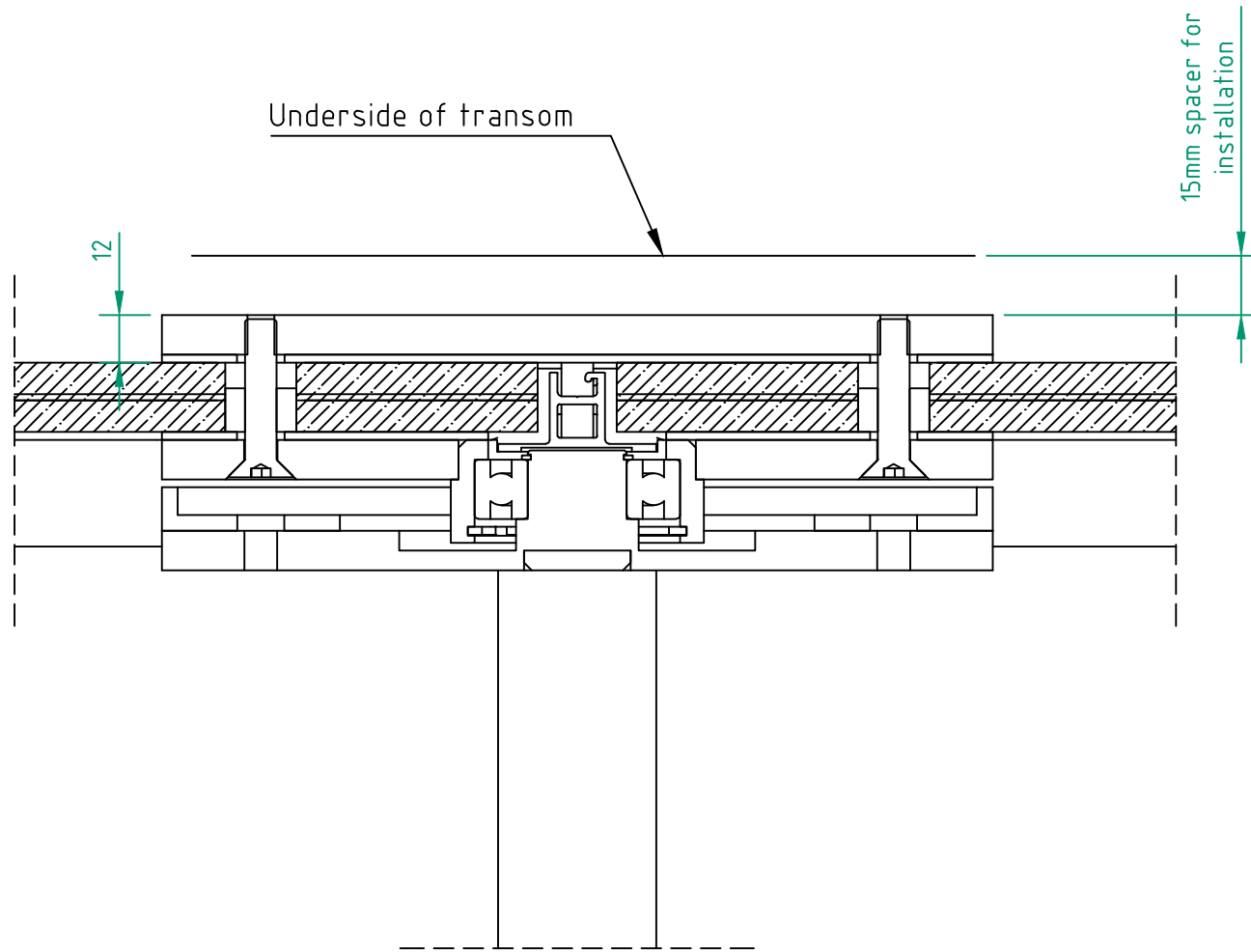
Project No:

Sign:

Revolving door  
 ASSA ABLOY RD300-3 and ASSA ABLOY RD300-4  
 NCD  
 Section rail  
 Section 15

**ASSA ABLOY**

5.0 1013877-en



Customer:

Ref:

Door id:

Date:

Project No:

Sign:

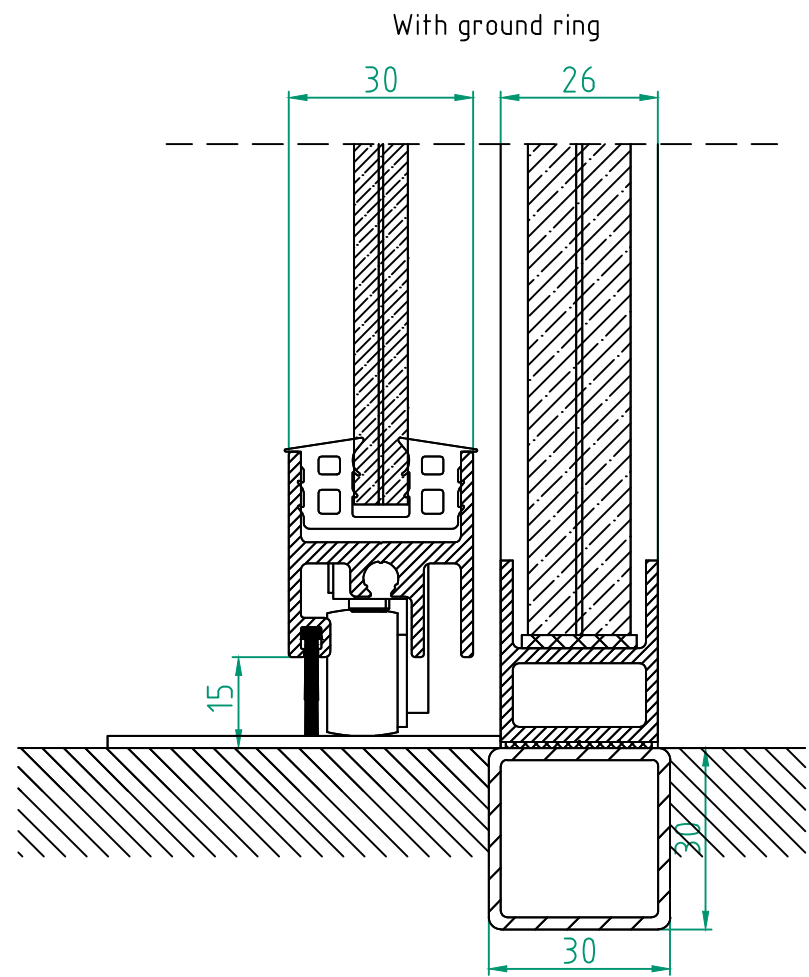
Revolving door  
ASSA ABLOY RD300-3 and ASSA ABLOY RD300-4  
Section ceiling  
Section 16

**ASSA ABLOY**

5.0 1013877-en

© ASSA ABLOY Entrance Systems AB, 2020  
Technical data subject to change without notice.

- Without ground ring
- With ground ring



Customer:
Door id:
Project No:

Ref:
Date:
Sign:

Revolving door  
ASSA ABLOY RD300-3 and ASSA ABLOY RD300-4  
NCD  
Section rail  
Section 17

**ASSA ABLOY**

5.0 1013877-en