

STATE WHEN ORDERING

- FW = mm
- FH = mm
- COW = mm
- COH = mm
- CL = mm

Surface treatment

- Silver anodized
- Special anodized
- RAL
- Special powder coating
-

Glass options:

- 10 mm tempered glass
- 10 mm laminated glass

Note1! Measurements need to fulfill the EN 16005, refer to PRA-0004.
 Note2!

Customer: _____

Door id: _____

Project No: _____

Ref: _____

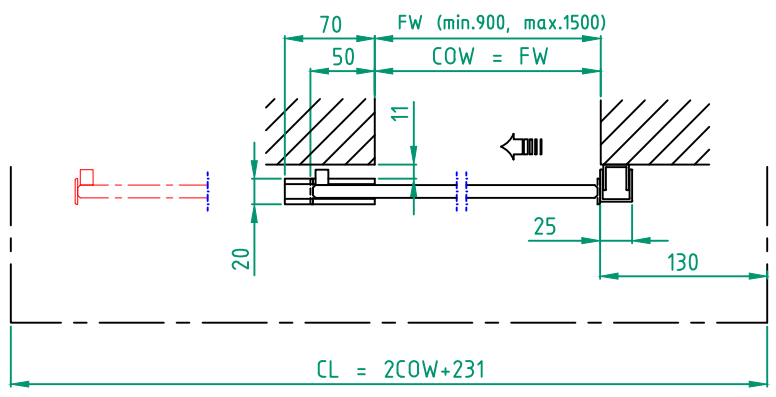
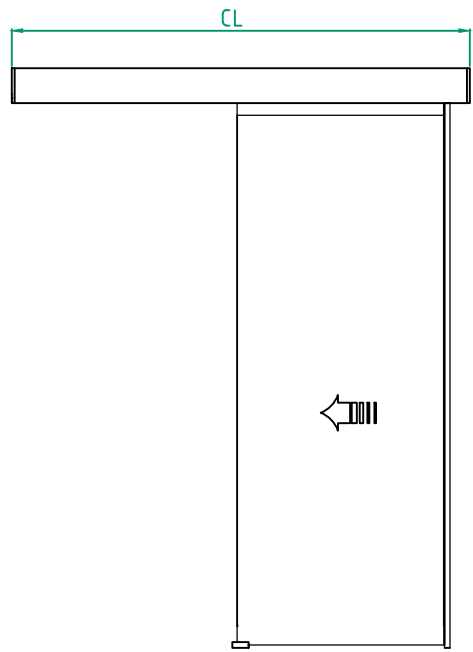
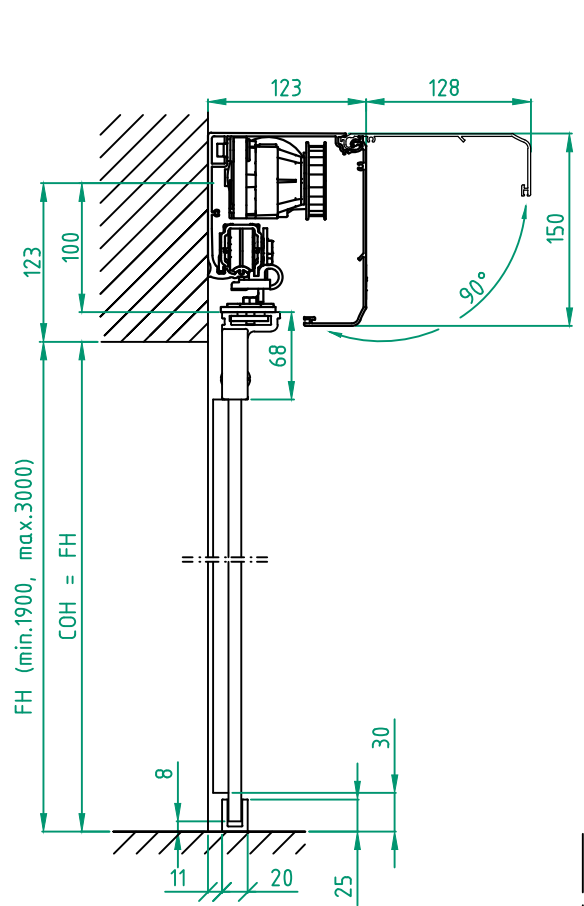
Date: _____

Sign: _____

Automatic door system
 ASSA ABLOY Transparent 2 Panel wall mounted bipart
 Art. No. 1009396-15
 ASSA ABLOY SL500

ASSA ABLOY

8.0 1009396-en



STATE WHEN ORDERING

- FW = mm
- FH = mm
- COW = mm
- COH = mm
- CL = mm

Surface treatment

- Silver anodized
- Special anodized
- RAL
- Special powder coating
-

Glass options:

- 10 mm tempered glass
- 10 mm laminated glass

Note1! Measurements need to fulfill the EN 16005, refer to PRA-0004.
 Note2!

Customer: _____

Door id: _____

Project No: _____

Ref: _____

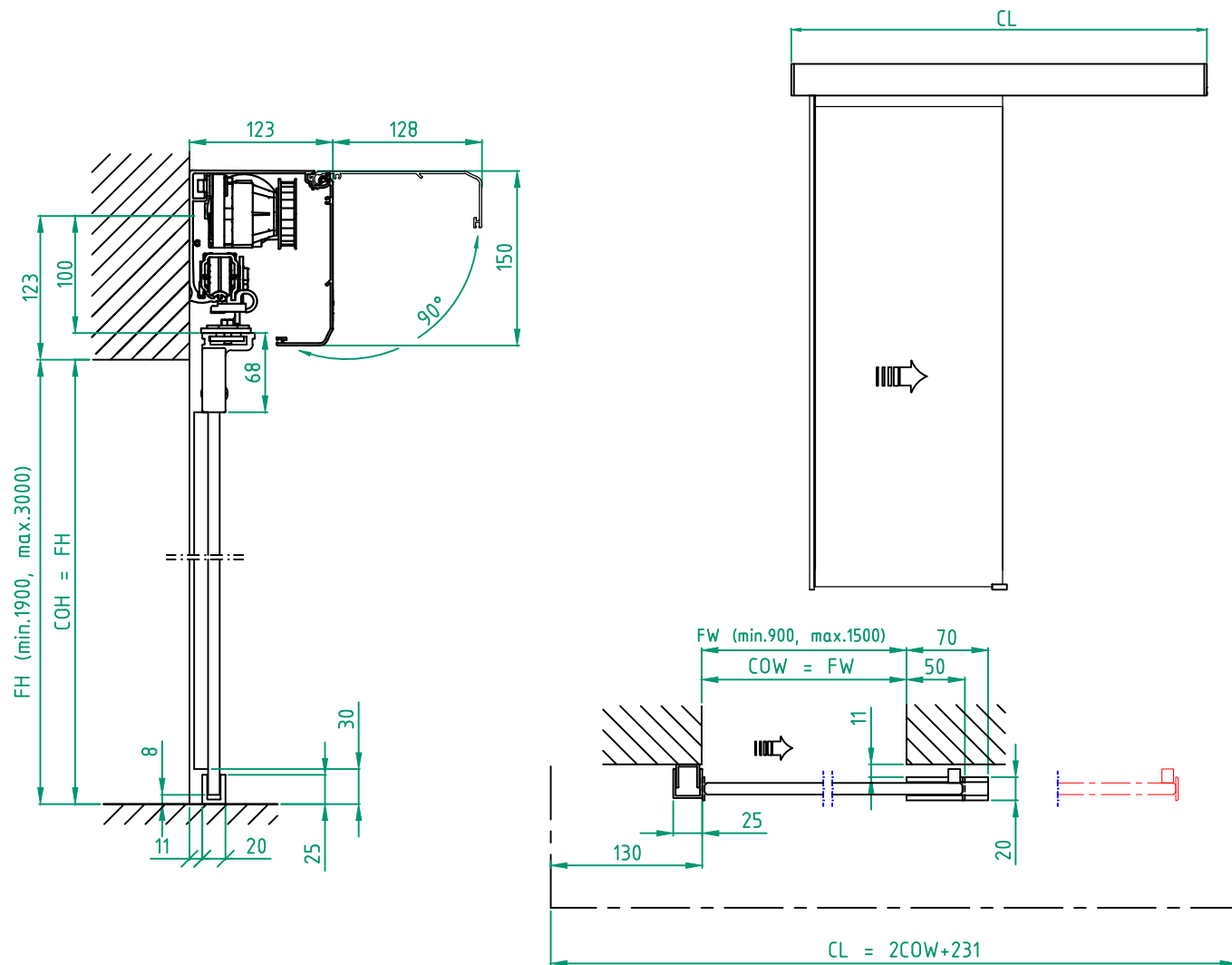
Date: _____

Sign: _____

Automatic door system
 ASSA ABLOY Transparent 1 Panel wall mounted opening left
 Art. No. 1009396-15
 ASSA ABLOY SL500

ASSA ABLOY

8.0 1009396-en



STATE WHEN ORDERING

- FW = mm
- FH = mm
- COW = mm
- COH = mm
- CL = mm

Surface treatment

- Silver anodized
- Special anodized
- RAL
- Special powder coating
-

Glass options:

- 10 mm tempered glass
- 10 mm laminated glass

Note1! Measurements need to fulfill the EN 16005, refer to PRA-0004.
 Note2!

Customer: _____

Door id: _____

Project No: _____

Ref: _____

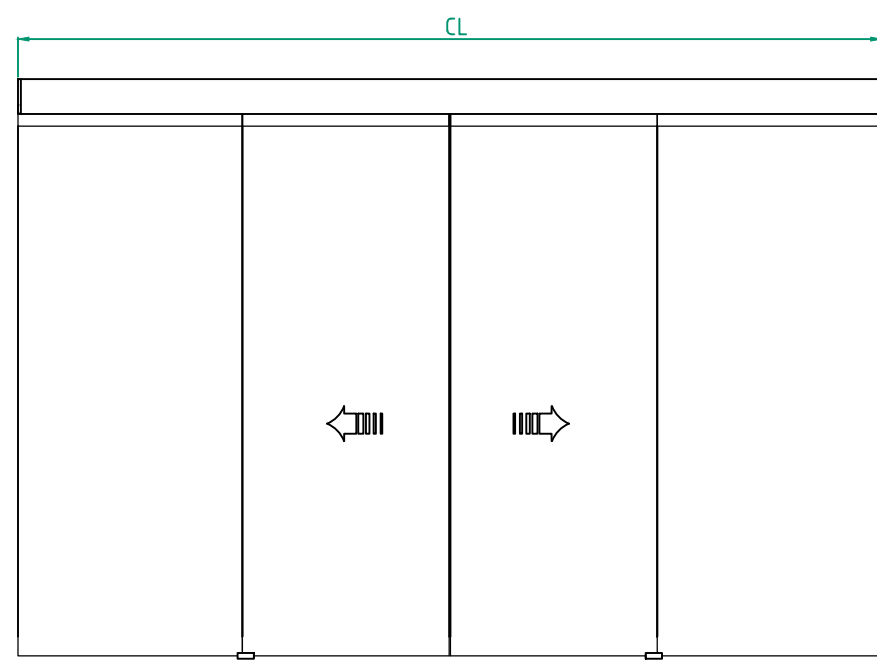
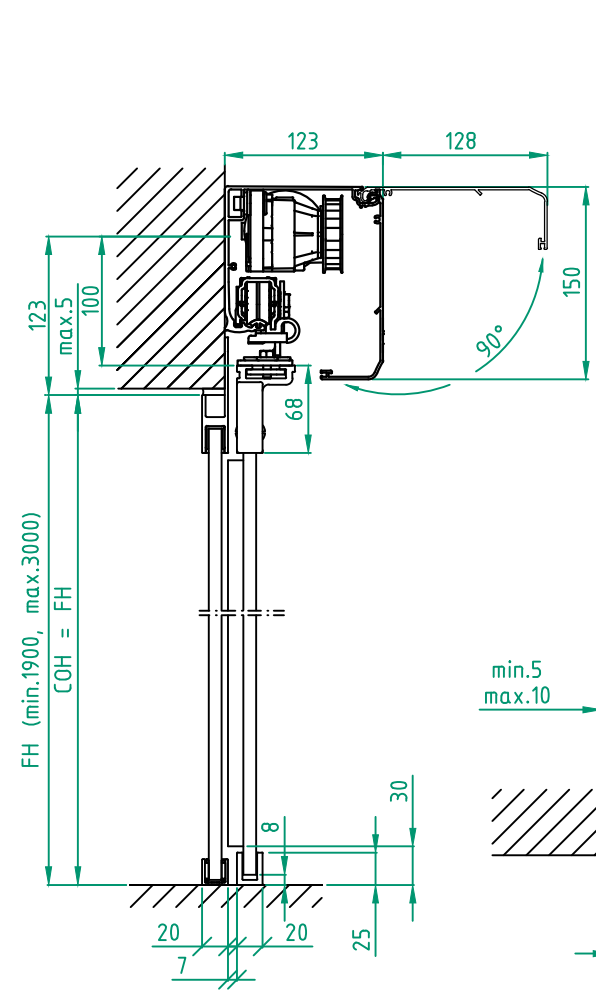
Date: _____

Sign: _____

Automatic door system
 ASSA ABLOY Transparent 1 Panel wall mounted opening right
 Art. No. 1009396-15
 ASSA ABLOY SL500

ASSA ABLOY

8.0 1009396-en



STATE WHEN ORDERING

- FW = mm
- FH = mm
- X = mm
- COW = mm
- COH = mm
- CL = mm

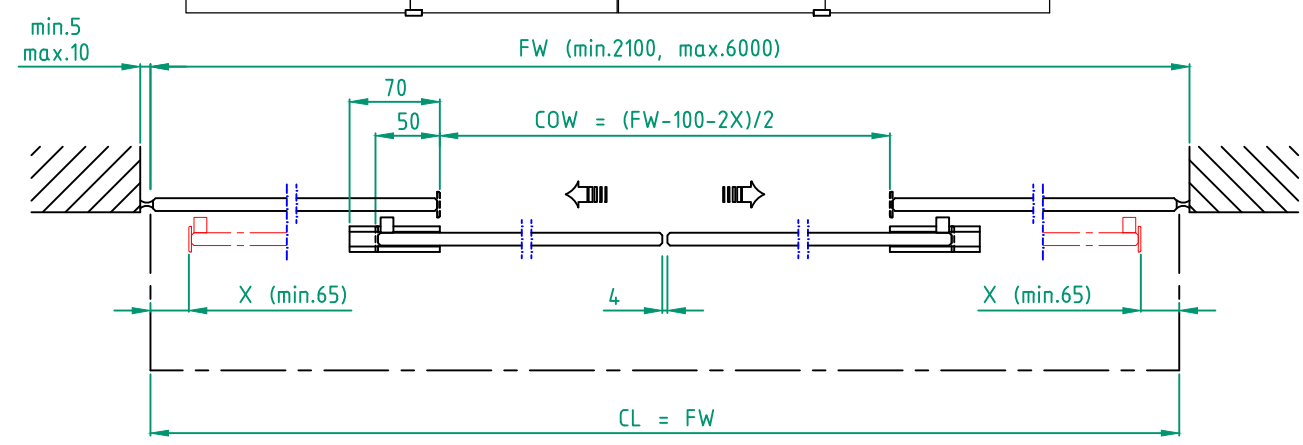
Surface treatment

- Silver anodized
- Special anodized
- RAL
- Special powder coating

Glass options:

- 10 mm tempered glass
- 10 mm laminated glass

Note1! Measurements need to fulfill the EN 16005, refer to PRA-0004.
 Note2!



Customer: _____

Door id: _____

Project No: _____

Ref: _____

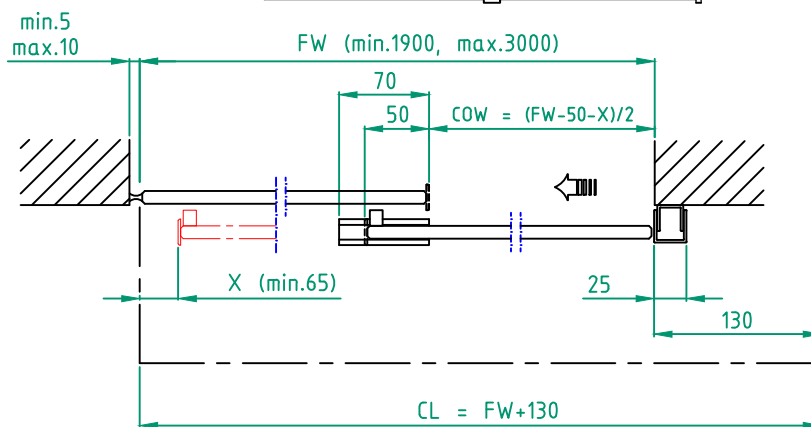
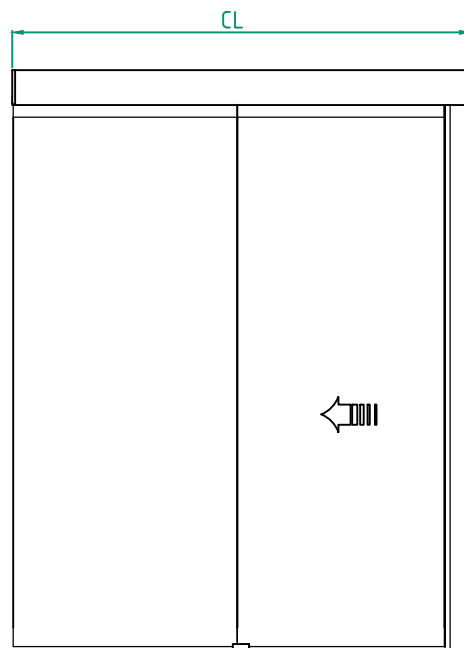
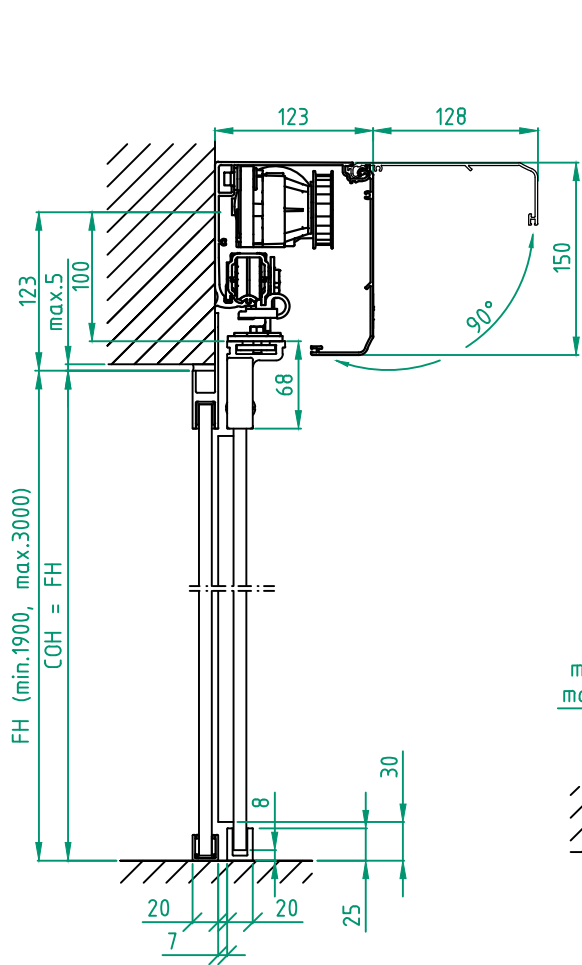
Date: _____

Sign: _____

Automatic door system
 ASSA ABLOY Transparent 4 Panel wall mounted bipart
 Art. No. 1009396-15
 ASSA ABLOY SL500

ASSA ABLOY

8.0 1009396-en



STATE WHEN ORDERING

FW = mm
 FH = mm
 X = mm
 COW = mm
 COH = mm
 CL = mm

Surface treatment

Silver anodized
 Special anodized
 RAL
 Special powder coating

Glass options:

10 mm tempered glass
 10 mm laminated glass

Note1! Measurements need to fulfill the EN 16005, refer to PRA-0004.

Note2!

Customer:

Ref:

Door id:

Date:

Project No:

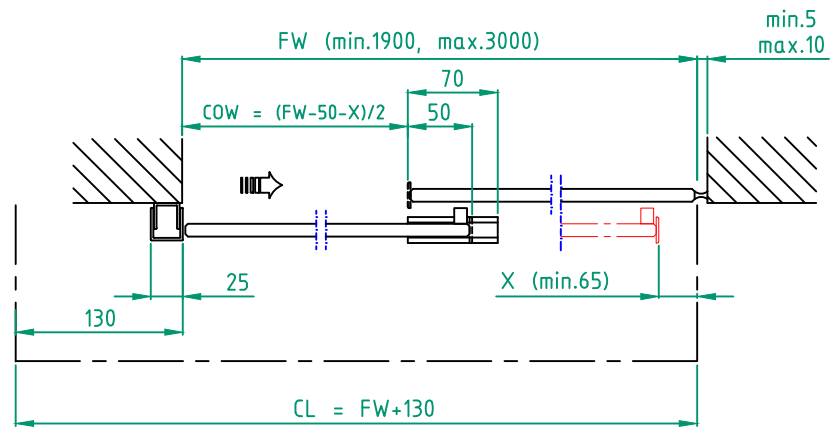
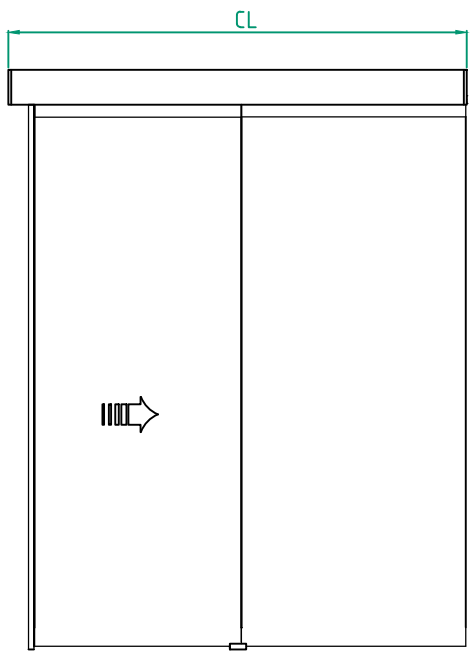
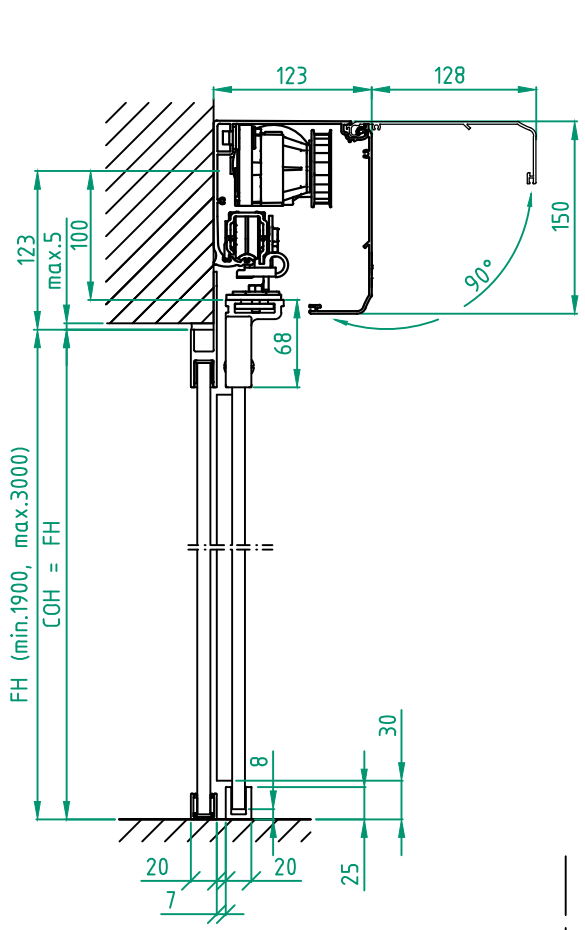
Sign:

Automatic door system
 ASSA ABLOY Transparent 2 Panel wall mounted opening left
 Art. No. 1009396-15
 ASSA ABLOY SL500

ASSA ABLOY

8.0

1009396-en



STATE WHEN ORDERING

- FW = mm
- FH = mm
- X = mm
- COW = mm
- COH = mm
- CL = mm

Surface treatment

- Silver anodized
- Special anodized
- RAL
- Special powder coating
-

Glass options:

- 10 mm tempered glass
- 10 mm laminated glass

Note1! Measurements need to fulfill the EN 16005, refer to PRA-0004.
Note2!

Customer: _____

Door id: _____

Project No: _____

Ref: _____

Date: _____

Sign: _____

Automatic door system
ASSA ABLOY Transparent 2 Panel wall mounted opening right
Art. No. 1009396-15
ASSA ABLOY SL500

ASSA ABLOY

8.0 1009396-en