

Dock leveler

ASSA ABLOY DL6120STA

ASSA ABLOY

ASSA ABLOY Entrance Systems

The global leader in
door opening solutions



The efficient and safe docking process

The ASSA ABLOY DL6120STA Stepdock Autodock is a dock leveler that provides increased efficiency and safety for the docking process. It has a telescopic lip and self supporting frame for easy integration with a building. It is the base of a complete Load house outside the building. The operation is based on the proven telescopic lip technology which is the universal and most flexible docking system. The ASSA ABLOY DL6120STA Stepdock Autodock provides other advantages than a standard telescopic lip leveler.

The design was specifically developed to let a truck dock to the loading bay with closed rear doors. First the truck is put in the right position and then preferably an inflatable dock shelter seals off the loading bay before the sectional door is opened. The last step of the complete dock-in procedure is that the rear doors of the truck are opened. This sequence "dock first – open the rear doors later" provides a number of benefits: saving of energy, improving working conditions in particular for the truck driver, increasing safety of people / goods, and improving the efficiency of the docking process.

Ideal solution for various applications

- Hygienic transport with high focus on safety.
- Food logistic demanding the unbroken cold chain.
- Container transport with customs purposes.
- High attention on theft prevention.

ASSA ABLOY 950 series - the intelligent, all in one, docking control system

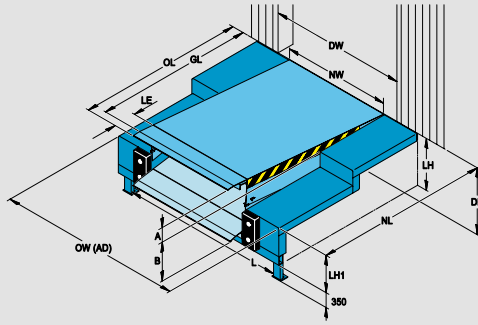
The innovative and unique 950 series docking control system gives you direct control of the dock leveler, dock shelter and door all in one control unit. With only a few self explaining buttons it is easy to operate, to meet the demands of modern logistics. Separate steering units or complex wiring are no longer needed.

Technical Data

| | |
|-------------------------------------|--|
| Nominal length ¹ | 2450 mm |
| Nominal width | 3300, 3500, 3600, 3750 mm |
| Load capacity | 60 kN (6 tonnes) |
| Vertical working range | |
| Rise above dock | up to 220 mm |
| Fall below dock | down to 620 mm |
| Platform tear-plate thickness | 8/10 mm |
| Max. point load leveler platform | 6,5 N / mm ² (8 mm tear plate) |
| Lip Type and Length | telescopic, 500 mm ergonomic lip, 345 mm |
| Lip Material | steel or aluminium |
| Control unit protection class | IP 54 |
| Temperature range hydraulic oil | -20°C - +60°C |
| European standard | EN 1398 Dock levelers |

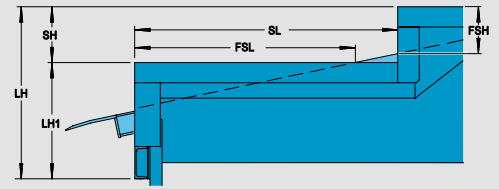
1) Other sizes on request

Dimensions



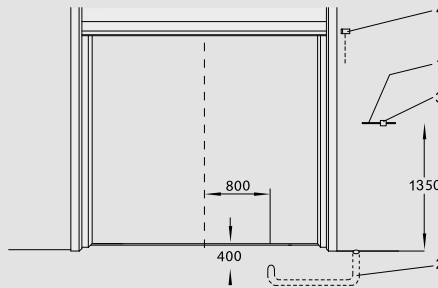
| | |
|-----|-----------------------|
| SH | Step height (250 mm) |
| SL | Step length (1300 mm) |
| FSH | Free Step height |
| FSL | Free Step length |

| Dimensions | Vertical working range | Step | | | | | |
|------------|------------------------|--------|--------|-----|-----|------|-----|
| | | LE 500 | LE 345 | | | | |
| NL | LH / LH1 | A | B | A | B | FSL | FSH |
| 2000 | 850 / 600 | 220 | 620 | 210 | 600 | 1140 | 225 |



| | |
|----------|--|
| NL | Nominal length |
| OL | Overall length |
| GL | Gradient length |
| NW | Nominal width (2000 mm) |
| LE | Lip extension |
| LH / LH1 | Leveler heightback / front |
| A | Working range above dock level |
| B | Working range below dock level |
| DH | Dock height |
| DW | Door width |
| NW (AD) | Nominal width Autodock (incl. side tread panels) |
| L | Distance between plinths |
| OW (AD) | Overall width Autodock = NW (AD) -20 |

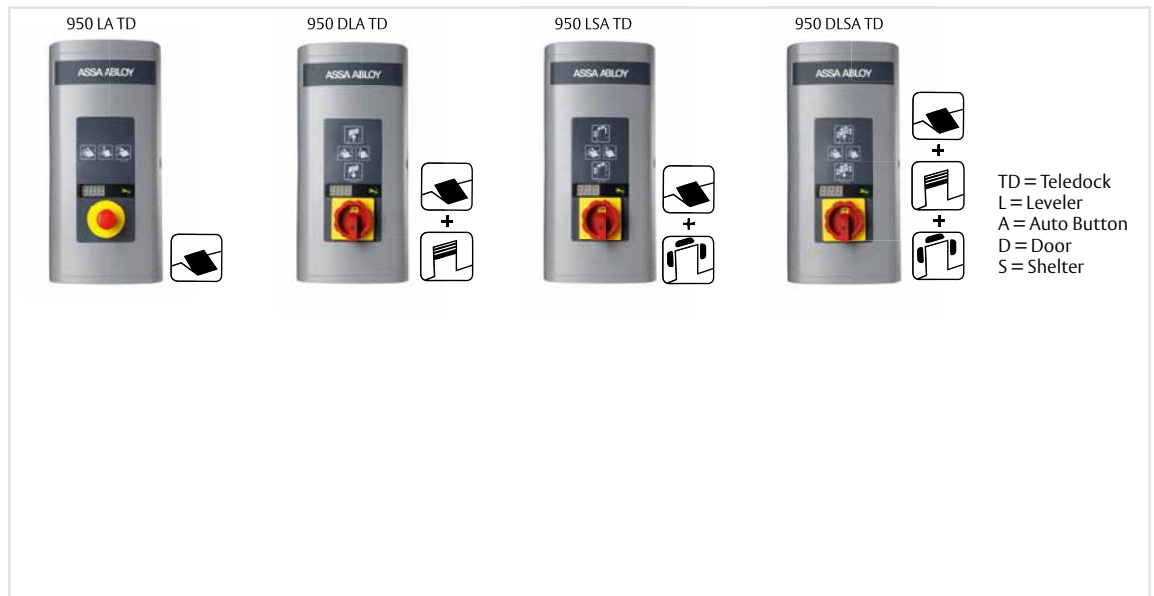
Electrical preparations



| | |
|---|--|
| 1 | Control unit (included in the delivery) |
| 2 | Conduit for wiring internal diameter 70, angles <45° (by others) |
| 3 | Mains supply: 3 / N / PE AC 50 Hz 230 / 400V Mains fuse: D0 10 A gL Motor power: 1,5 kW |
| 4 | Cable: 7 x 0,75 mm ² |
| 5 | Motor cable: 4 x 1,5 mm ² |
| 6 | Optional safety switch on sectional door to disable leveler when door is closed* |

*Non standard

Operating functions for Tele lip levelers



Standard available colours

