



### Heavy duty telescopic lip dock leveler

ASSA ABLOY DL6121TA teledock autodock has a self-supporting frame for easy integration with a building. It forms a base for a complete ASSA ABLOY Loadhouse outside the building. It is a heavy-duty dock leveler with a load capacity of 100 kN or optional 150 kN. Robust and reliable construction guarantees high performance during the tough handling of high loads.

The ASSA ABLOY DL6121TA Teledock provides a larger contact area between vehicle bed and dock leveler for optimal and safe positioning on the vehicle bed.

The ASSA ABLOY DL6121TA Teledock:

- Preventive maintenance is easy and fast to secure functionality and avoid downtimes.
- Robust and reliable construction to guarantee high performance during the tough handling of high loads.
- Special durable design of the telescopic lip.

#### ASSA ABLOY 950 series - the intelligent, all in one, docking control system

The innovative and unique 950 series docking control system gives you direct control of the dock leveler, dock shelter and door all in one control unit. With only a few self-explaining buttons it is easy to operate, to meet the demands of modern logistics. Separate steering units or complex wiring are no longer needed.

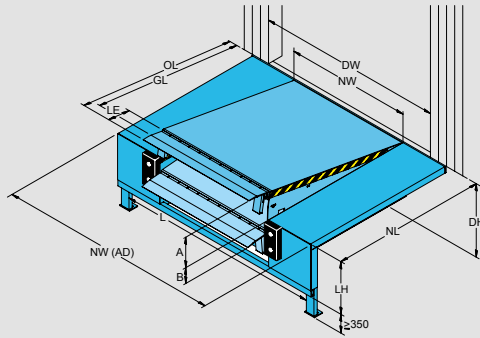
#### ASSA ABLOY DE6090DI Dock-IN

ASSA ABLOY Dock-IN is the world's first combined solution with parking guide and traffic lights in one system. ASSA ABLOY Dock-IN ensures a safe and secure dock in procedure with the help of white guiding lights and red traffic lights. There is no need to paint and repaint guiding lines on the asphalt or install conventional steel parking guides, which are an obstacle in the yard. With modern LED technology ASSA ABLOY Dock-IN has a low energy consumption and a long life.

### Technical Data

|                                      |   |
|--------------------------------------|---|
| Normal length <sup>1</sup>           | 2000, 2450, 3000 mm   |
| Normal width                         | 3300, 3500, 3600, 3750 mm                                       |
| Load capacity                        | 100 kN (10 tonnes)<br>150 kN (15 tonnes)                        |
| Vertical working range 100 kN        |   |
| Rise above dock                      | up to 410 mm  |
| Fall below dock                      | down to 460 mm  |
| Vertical working range 150 kN        |   |
| Rise above dock                      | up to 490 mm  |
| Fall below dock                      | down to 390 mm  |
| Platform tear-plate thickness 100 kN | 8/10 mm   |
| Platform tear-plate thickness 150 kN | 10/12 mm  |
| Max. point load leveler platform     | 6,5 N / mm <sup>2</sup><br>(8 mm tear plate & 10 mm tear plate) |
| Lip material and length              | steel, 500/1000 mm  |
| Control unit protection class        | IP 54   |
| Temperature range hydraulic oil      | -20°C - +60°C   |
| European standard                    | EN 1398 Dock levelers   |
| 1) Other sizes on request            |   |

# Dimensions



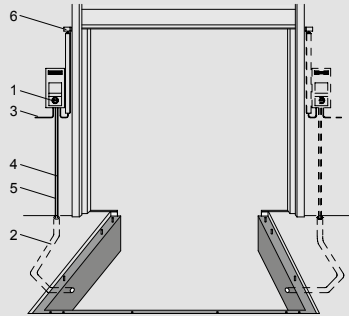
| Platform thickness |                         |
|--------------------|-------------------------|
| Thickness          | Max. point load         |
| 8 mm               | 6,5 N / mm <sup>2</sup> |
| 10 mm              | 6,5 N / mm <sup>2</sup> |

| Dimensions |       |             |     | Vertical working range |     |         |     |
|------------|-------|-------------|-----|------------------------|-----|---------|-----|
|            |       |             |     | 100 kN                 |     |         |     |
|            |       |             |     | LE 500                 |     | LE 1000 |     |
| NL         | OL    | GL          | LH  | A                      | B   | A       | B   |
| 2000       | NL+LE | NL+(LE-150) | 700 | 240                    | 330 | 290     | 390 |
| 2450       | NL+LE | NL+(LE-150) | 700 | 340                    | 350 | 400     | 400 |
| 3000       | NL+LE | NL+(LE-150) | 800 | 350                    | 400 | 410     | 460 |

Nominal width 2000, 2200  
Nominal width of Autodock 3300, 3500, 3600, 3750

|         |  |
|---------|--|
| NL      | Nominal length                                   |
| OL      | Overall length                                   |
| GL      | Gradient length                                  |
| NW      | Nominal width                                    |
| LE      | Leveler extension                                |
| LH      | Leveler height                                   |
| A       | Working range above dock level                   |
| B       | Working range below dock level                   |
| DH      | Dock height                                      |
| DW      | Door width                                       |
| NW (AD) | Nominal width Autodock (incl. side tread panels) |
| L       | Distance between plinths                         |
| OW (AD) | Overall width Autodock = NW (AD) - 20            |

# Electrical preparations



|   |  |
|---|--|
| 1 | Control unit (included in the delivery)  |
| 2 | Conduit for wiring internal diameter 70, angles <45° (by others)                                 |
| 3 | Mains supply: 3 / N / PE AC 50 Hz<br>230 / 400V<br>Mains fuse: D0 10 A gL<br>Motor power: 1,5 kW |
| 4 | Cable: 7 x 0,75 mm <sup>2</sup>  |
| 5 | Motor cable: 4 x 1,5 mm <sup>2</sup>   |
| 6 | Optional safety switch on sectional door to disable leveler when door is closed*                 |

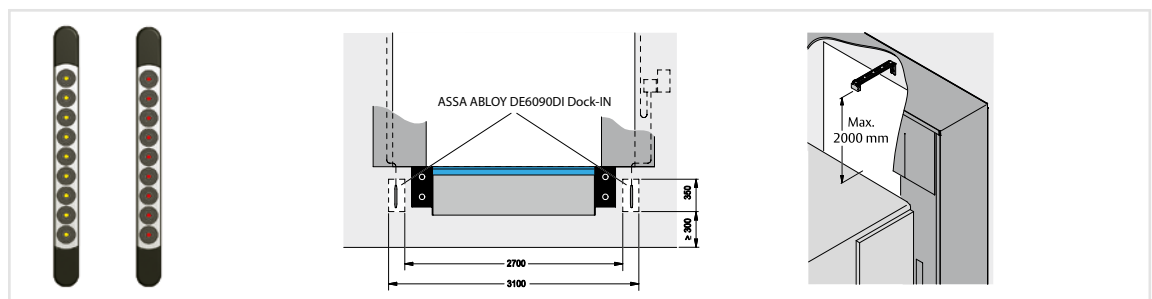
\*Non standard

# Operating functions for Tele lip levelers

| 950 LA TD | 950 DLA TD | 950 LSA TD | 950 DLSA TD |
|-----------|------------|------------|-------------|
|           |            |            |             |

TD = Teledock  
 L = Leveler  
 A = Auto Button  
 D = Door  
 S = Shelter

# ASSA ABLOY DE6090DI Dock-IN



# Standard available colours

|  |                  |  |                       |  |                    |
|--|------------------|--|-----------------------|--|--------------------|
|  | Red<br>RAL 3002  |  | Green<br>RAL 6005     |  | Hot dip galvanised |
|  | Blue<br>RAL 5010 |  | Jet Black<br>RAL 9005 |  |                    |