

Product datasheet

Dock shelter

ASSA ABLOY DS6070R

ASSA ABLOY
Entrance Systems

Experience a safer
and more open world



Copyright and Disclaimer Notice

Although the contents of this publication have been compiled with the greatest possible care, ASSA ABLOY Entrance Systems cannot accept liability for any damage that might arise from errors or omissions in this publication. We also reserve the right to make appropriate technical modifications/replacements without prior notice.

No rights can be derived from the contents of this document.

Color guides: Color differences may occur due to different printing and publication methods.

No part of this publication may be copied or published by means of scanning, printing, photocopying, microfilm or any other process whatsoever without prior permission in writing by ASSA ABLOY Entrance Systems.

Copyright © ASSA ABLOY Entrance Systems AB 2006-2020.

All rights reserved.

ASSA ABLOY, Besam, Crawford, Albany and Megadoor as words and logo are trademarks belonging to the ASSA ABLOY Group.

Technical facts

Features

Sizes - nominal height	4055, 4355, 4555 mm
Sizes - Free height	3600, 3900, 4100 mm
Sizes - nominal width	3600 mm
Sizes - nominal depth	770 mm
Sizes - top bag extension	2200 mm
Sizes - side bag extension	650 mm
Standard RAL colors	3002, 5010, 6005, 7016, 9002, 9006, 9007, 9010
Control unit	Switch control

Performance

Walls and roof	Insulated panel 42 mm RAL 3002, 5010, 6005, 7016, 9002, 9006, 9007, 9010
Front plate	Steel sheet painted with reinforcement angle in RAL 3002, 5010, 6005, 7016, 9002, 9006, 9007, 9010
Inside panel color	RAL 9002
Surface treatment	Hot galvanised and painted with polyester paint, which corresponds to environmental class 3
Front protection	Yellow polyethene plastic
Fabric quality	Top curtain: PVC coated polyester fabric 650g/m ² , thickness 0.6 mm Side bag rear : made of PVC coated polyester fabric 600g/m ² , thickness 0.5 mm Side bag front: made of PVC coated polyester fabric 2500g/m ² , thickness 2 mm Option wear shield: PVC coated polyester fabric 3400 g/m ² , thickness 3 mm
Fan	230 V, 1-phase, 50 Hz, 250 W Noise niveau: 65 dBA in working position
Operating	Switch control included. Other controls available as option
Temperature range	-30° to +60°C

Contents

Copyright and Disclaimer Notice	2
Technical facts	3
Contents	4
1. Description	5
1.1 Application	5
1.2 Mode of operation	5
1.3 Overview	5
1.4 Standard	6
1.5 Options	6
1.5.1 Option wear shield	6
2. Specifications	7
2.1 Dimensions	7
3. Construction	8
3.1 Construction views	8
4. Building and space requirements	9
4.1 Wall fixings	9
4.1.1 Concrete wall	9
4.1.2 Light concrete wall	9
4.1.3 Insulated wall	10
4.1.4 Cavity wall	10
4.1.5 Steel guard	11
4.2 Fixing points	12
4.2.1 Fixing points	12
5. Service you can rely on	13
Index	14

1. Description

1.1 Application

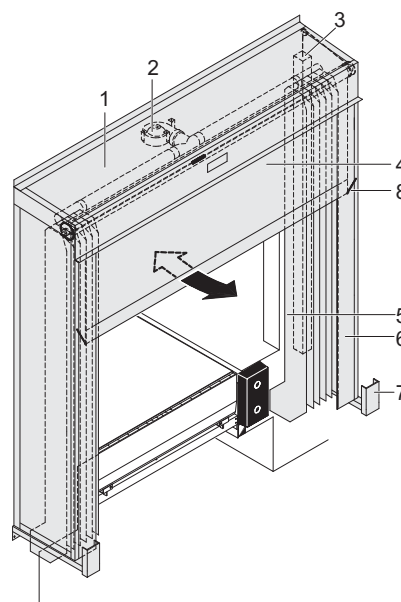
The handling of cooled or frozen food put high demands on the temperature chain. The ASSA ABLOY DS6070R inflatable dock shelter rollo provides the optimal sealing of temperature controlled premises during the loading and unloading process. Contrary to other types of dock shelters, the vehicle does not push towards the shelter. Instead, the shelter is air inflated around the docked vehicle, providing complete sealing. The ASSA ABLOY DS6070R inflatable dock shelter rollo is suitable for all vehicle sizes and its sealing capacity exceeds by far the standard normally required by the operators.

1.2 Mode of operation

When a vehicle is positioned at the docking station, the ASSA ABLOY DS6070R inflatable dock shelter rollo is activated by the control unit. The side bags inflate. The top part is a roller curtain. A unique balancing system makes the top roller curtain "free floating" when the vehicle is docked to the dock shelter.

During loading/unloading the vehicle moves up and down and the top roller curtain automatically follows these movements, without starting the roller curtain machinery. The roller guidance design includes a unique Break-Away system to follow horizontal movements. In rest position the bags are held in place mechanically.

1.3 Overview



- 1) Insulated panels
- 2) Blower
- 3) Counter balance
- 4) Top curtain
- 5) Side bag
- 6) Curtain strips
- 7) Steel guard
- 8) Break-Away system

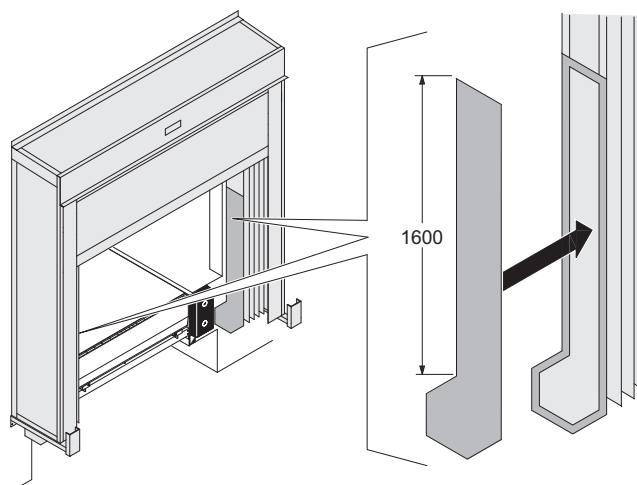
1.4 Standard

Nominal height	4055, 4355, 4555 mm	
Nominal width	3600 mm	
Nominal depth	770 mm	
Top curtain extension	2200 mm	
Side bag extension	650 mm	
Insulated panel	42 mm	
Operating	Switch control	
Standard colors	Insulated panel, pre-coated	RAL 3002, 5010, 6005, 7016, 9002, 9006, 9007, 9010
	Front plate	RAL 3002, 5010, 6005, 7016, 9002, 9006, 9007, 9010
Steel guard combi		
Dock shelter is prepared for installation to wall or loadhouse.		

1.5 Options

Front plate	Digit on front plate
Side bags	Wear shields
Color	Insulated panel pre-coated RAL 1021, RAL 5003, RAL 8017, RAL 9005 Painted in special RAL color Front plate in special color
Wall fixings	Concrete, sandwich, light concrete, loadhouse, cavity, insulated panel

1.5.1 Option wear shield



Extra layer of 3 mm PE curtain riveted to side bags to cover the lowest part left and right in the vehicle contact area. When the vehicle moves up and down during loading/unloading the side bags are protected against damages.

2. Specifications

2.1 Dimensions

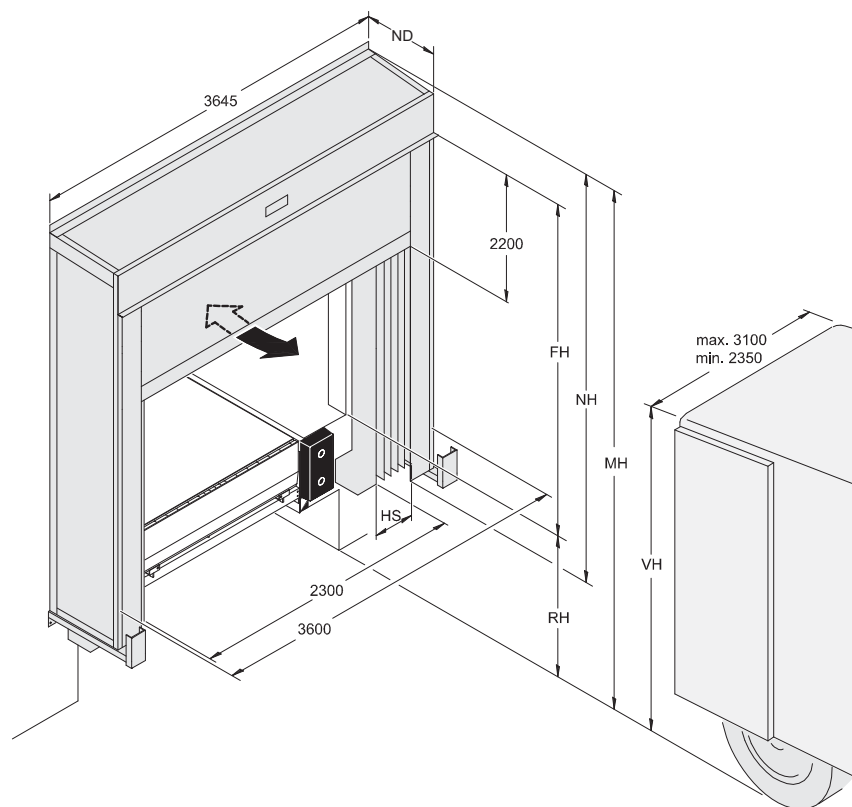


Abb.	Dimension	Value (mm)
NW	Nominal width	3600
NH	Nominal height	4055, 4355, 4555
FH	Free height above level*	3600, 3900, 4100**
OP	Top curtain travel	2200
ND	Nominal depth	770
RH	Dock height	
MH	Installation height	VH+800
VH	Vehicle height	

* depending on MH (installation height)

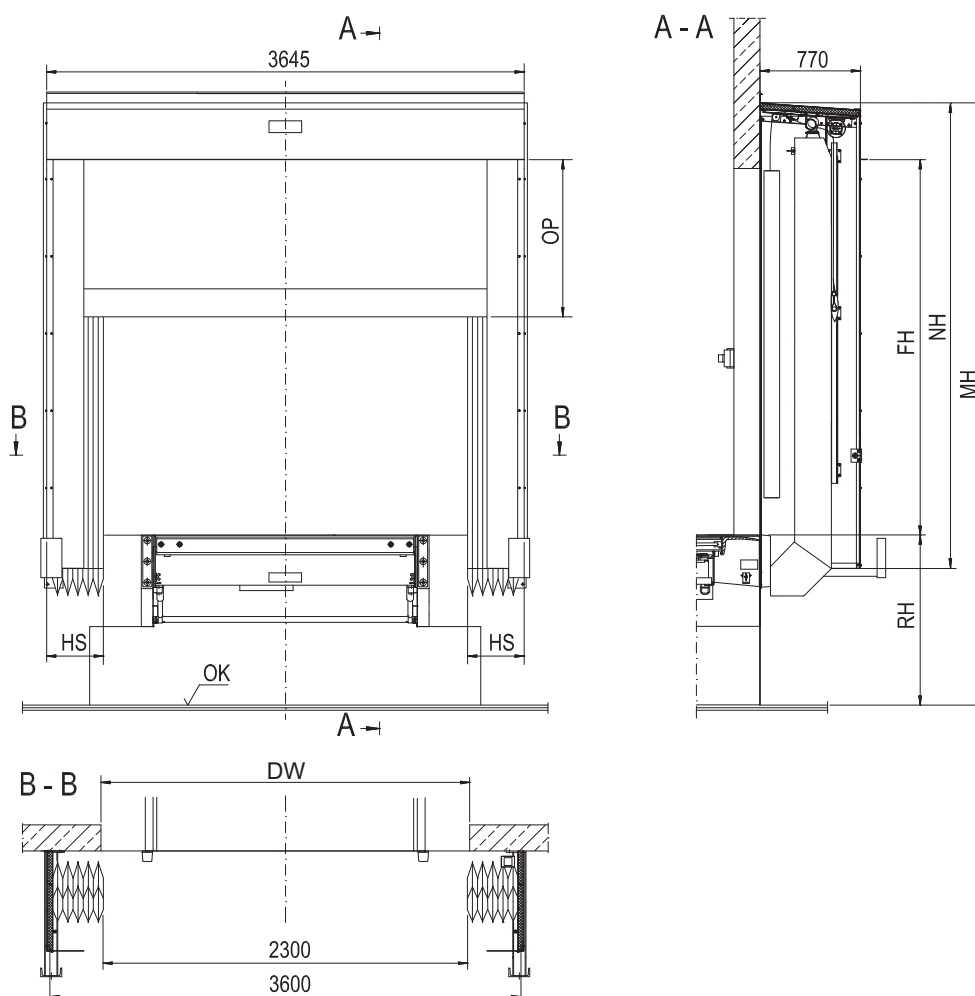
** maximum sizes

3. Construction

The ASSA ABLOY DS6070R inflatable dock shelter rollo can be fitted directly to the wall or on a Load House and is available as a single module or multiple modules. The ASSA ABLOY DS6070R inflatable dock shelter rollo consists of two side walls with bags (one side wall for multiple module), front protections and installation material. Roof with top curtain, front plate, machinery, fan and installation brackets. The ASSA ABLOY DS6070R inflatable dock shelter rollo is operated from a control panel and the supply contains the the complete dock shelter including necessary fixings.

A spring tension device minimises the risk of damages from vehicles hitting the structure during docking manoeuvres. The ASSA ABLOY DS6070R inflatable dock shelter rollo is designed to provide the best seal possible around the vehicle.

3.1 Construction views



OK	Yard level
DW	Door width
NH	Nominal height
RH	Dock height
OP	Top curtain travel (OP = 2200 mm)
HS	Side bag extension
FH	Max. free height above dock level (depending on MH)
MH	Installation height (Vehicle height + 800 mm)

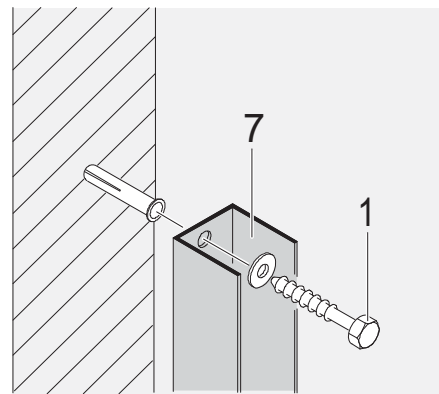
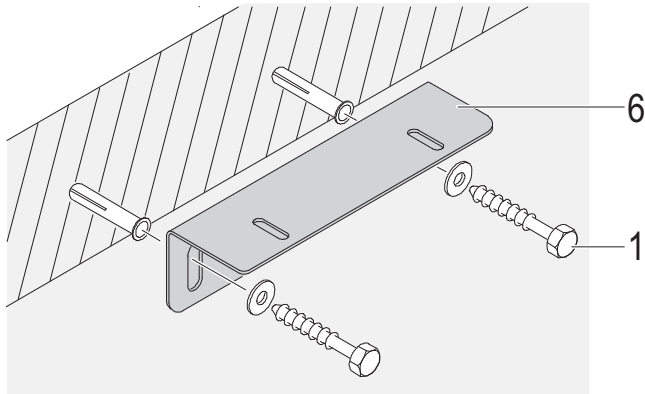
4. Building and space requirements

4.1 Wall fixings

4.1.1 Concrete wall

Top

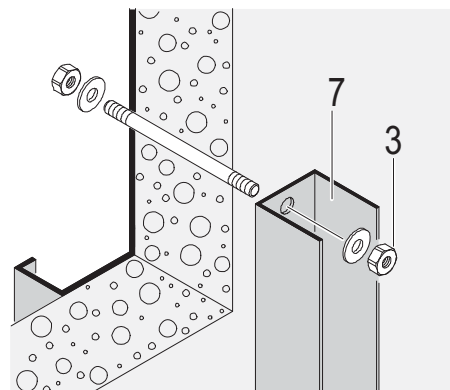
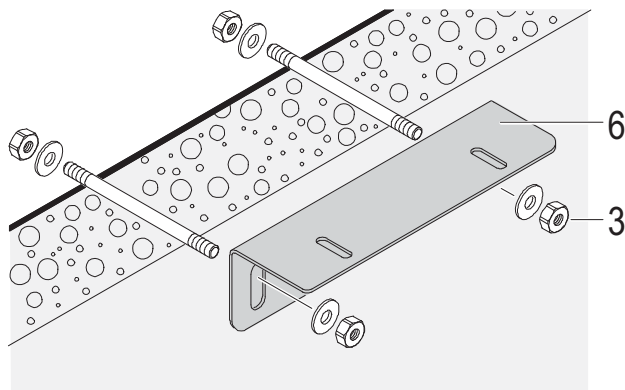
Side



4.1.2 Light concrete wall

Top

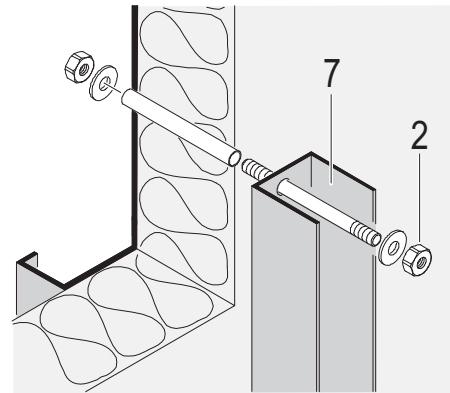
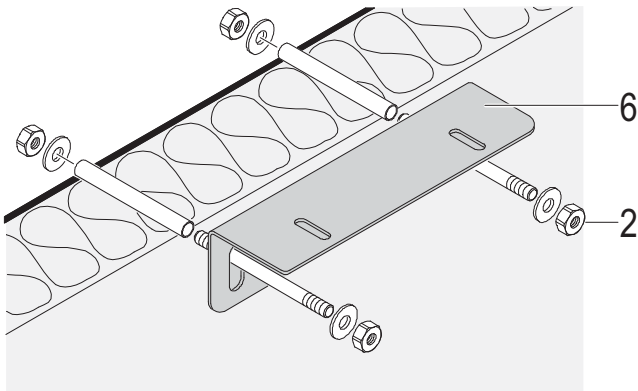
Side



4.1.3 Insulated wall

Top

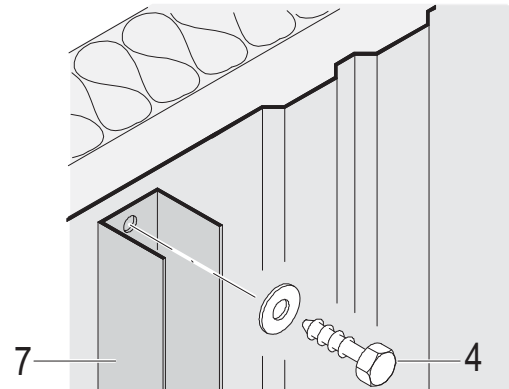
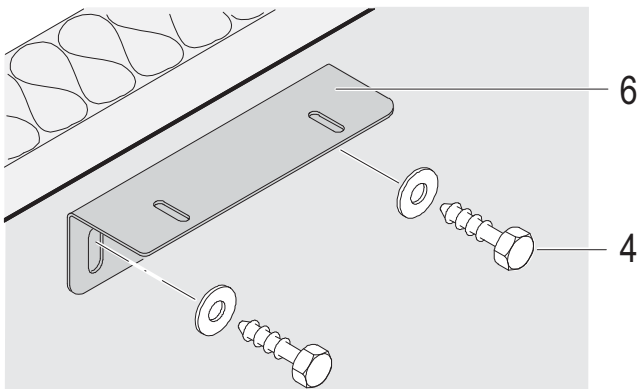
Side



4.1.4 Cavity wall

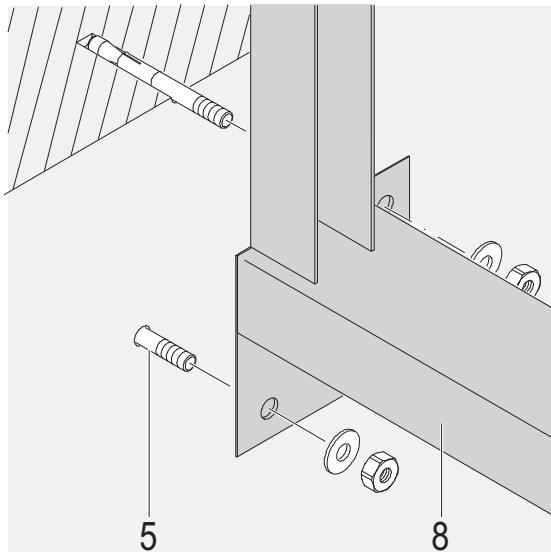
Top

Side

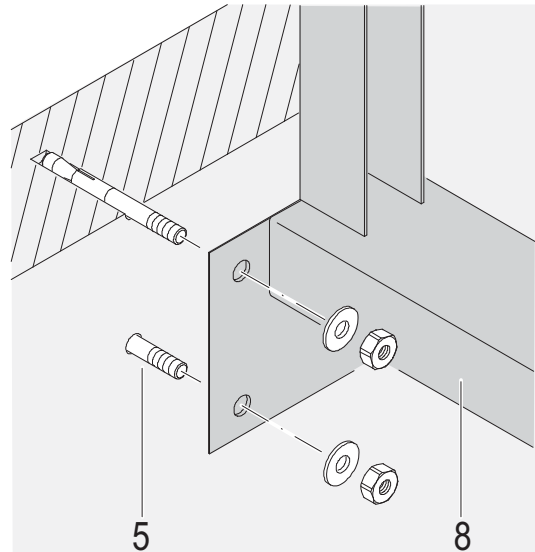


4.1.5 Steel guard

Left



Right



- 1) Screw with dowel 8x60
- 2) Threaded bolt with nut and washer**
- 3) Hexagonal nut with washer
- 4) Self tapered screw 8x32
- 5) Heavy duty bolt M12 **
- 6) Support bracket **
- 7) U-profile 55x45x1
- 8) Steel guard

* by others, not included in the delivery

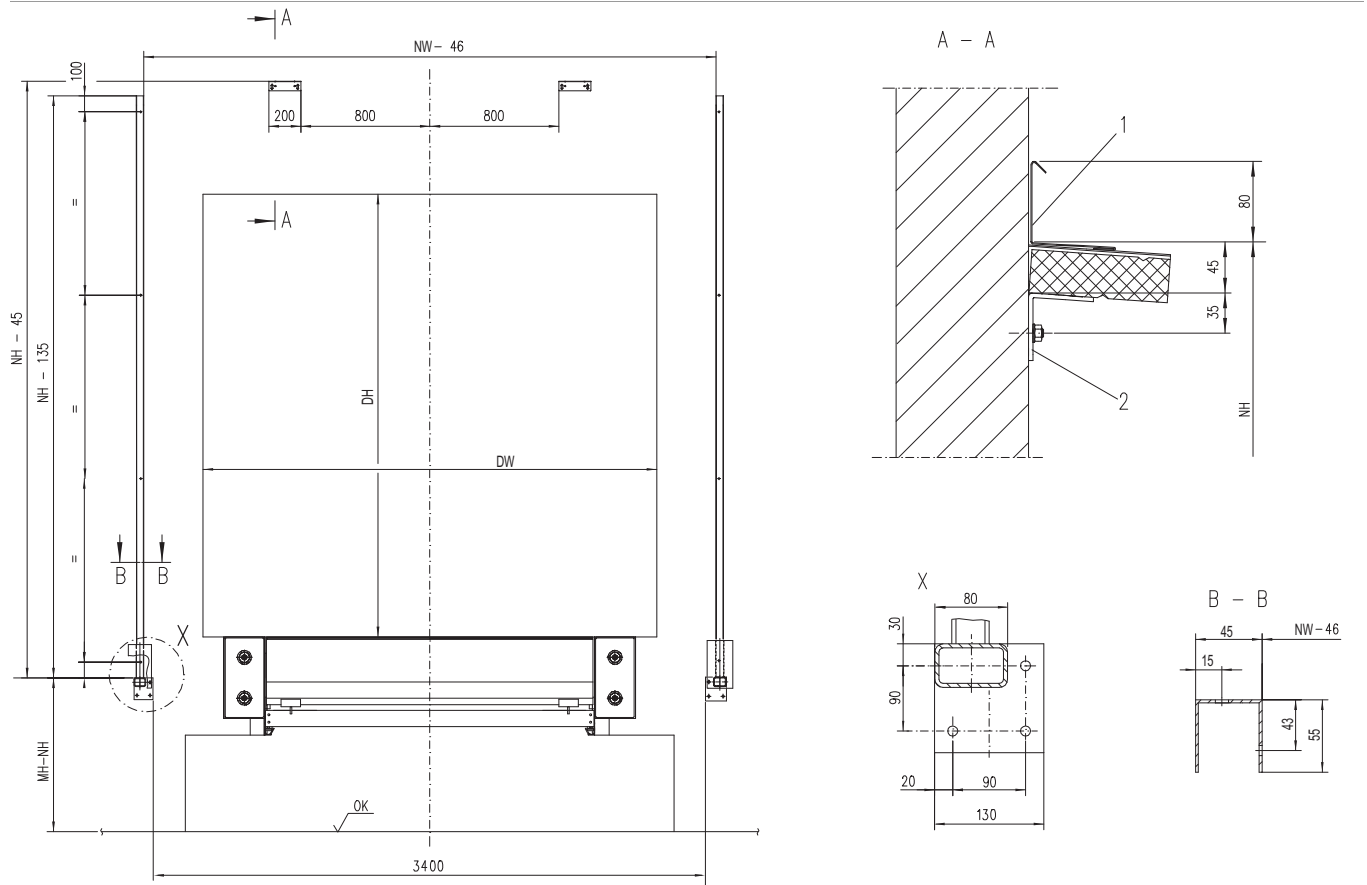
** belong to the wall fixing

Note!

The wall surface at the installation points (NH + 150 mm measured from the top edge of the impact bar, and NB + 100 mm), must be smooth and flat. The same applies for the fixing of the impact bar.

4.2 Fixing points

4.2.1 Fixing points



1 Wall mounting profile*

2 Support bracket*

* belongs to the wall fixing

5. Service you can rely on



Gold

The ultimate protection

With full coverage, Gold Service enables you to plan and budget your expenses annually.

- Spare parts for emergency calls
- Labor and travel costs for emergency calls
- Replacement of components according to preventive maintenance schedule and to fulfill legislative and safety requirements

Silver

Added advantages

With cover for all service calls during business hours, Silver Service offers you peace of mind.

- Labor and travel costs for emergency calls
- Preventive maintenance

Bronze

Scheduled Service

With scheduled on site visits, Bronze Service means you know that your doors and docking systems will be regularly serviced and inspected.

- Preventive maintenance

Included in all packages

1-4 scheduled maintenance visits per year

24/7 priority service hotline and fast response

Safety, compliance and quality control checks

Documentation reports provided on site

Expert service you can rely on

A healthy business enjoys a steady flow of goods, services and people through its entrances every day. But heavy traffic puts entrances under pressure as every component works to keep them running.

ASSA ABLOY Entrance Systems offer the industry's most complete, flexible service solutions. Because even something as robust and well-engineered as an ASSA ABLOY door or docking system needs to be serviced to stay in great working order.

Pro-active care packages

An ASSA ABLOY service agreement gives you service you can rely on. We have specialized local service technicians on call to take care of your service needs. Equipped with a wide range of spare parts and expertise, to keep your industrial doors and docking systems running.

With an ASSA ABLOY service agreement you can ensure reliable, safe and sustainable operations at every entrance under your agreement, including doors and docking systems, independent of brand.

ASSA ABLOY e-maintenance™ (optional add-on)

For an online overview of your entrance systems and history, add ASSA ABLOY e-maintenance™ to your service package for:

- Easy access to real-time data on all your doors
- Planning, order and service information
- Overview that helps you control lifecycle costs

Index

A		W	
Application	5	Wall fixings	9
B			
Building and space requirements	9		
C			
Cavity wall	10		
Concrete wall	9		
Construction	8		
Construction views	8		
Copyright and Disclaimer Notice	2		
D			
Description	5		
Dimensions	7		
F			
Features	3		
Fixing points	12		
I			
Insulated wall	10		
L			
Light concrete wall	9		
M			
Mode of operation	5		
O			
Option wear shield	6		
Options	6		
Overview	5		
P			
Performance	3		
S			
Service you can rely on	13		
Specifications	7		
Standard	6		
Steel guard	11		
T			
Technical facts	3		

The ASSA ABLOY Group is the global leader in access solutions.
Every day, we help billions of people to experience a more open world.

ASSA ABLOY
Entrance Systems

ASSA ABLOY Entrance Systems provides solutions for efficient and safe flow of goods and people. Our offering includes a wide range of automated pedestrian, industrial and residential doors, loading dock equipment, perimeter fencing and service.

assaabloyentrance.com

2020-03



ASSA ABLOY Entrance Systems

assaabloyentrance.com