

Product datasheet

Loadhouse

ASSA ABLOY LH6180IL

ASSA ABLOY
Entrance Systems

Experience a safer
and more open world



Copyright and Disclaimer Notice

Although the contents of this publication have been compiled with the greatest possible care, ASSA ABLOY Entrance Systems cannot accept liability for any damage that might arise from errors or omissions in this publication. We also reserve the right to make appropriate technical modifications/replacements without prior notice.

No rights can be derived from the contents of this document.

Color guides: Color differences may occur due to different printing and publication methods.

No part of this publication may be copied or published by means of scanning, printing, photocopying, microfilm or any other process whatsoever without prior permission in writing by ASSA ABLOY Entrance Systems.

Copyright © ASSA ABLOY Entrance Systems AB 2006-2021.

All rights reserved.

ASSA ABLOY, Besam, Crawford, Albany and Megadoor as words and logo are trademarks belonging to the ASSA ABLOY Group.

Technical facts

Features

Sizes - nominal length*	2450, 3000 mm
Sizes - nominal width*	3300, 3500, 3600, 3750 mm
Steel profiles	Galvanized steel

Walls

Panel thickness:	42 mm
Panel material:	Waffled steel
Filling:	CFC-free polyurethane, flame retardant DIN 4102-B2
Standard colors outside:	RAL 3000, 5010, 6005, 7016, 7021, 7024, 9002, 9006, 9007, 9010
Standard color inside:	RAL 9002

Roof

Thickness of material:	0,6 mm profiled steel sheet
Standard color outside:	RAL 9005

Internal LED light

Protection class	IP65
Power	46W LED
Luminous flux	3840lm
Dimension	1268x158x105 mm
Connection	230V

Wall protection plywood veneer

Dimensions	Height 1250 mm, thickness 12 mm
Color	Light grey

Performance

Certification	Declaration of Performance according to EN1090
Snow load	3,0 kN/m ² according to EN1993
Wind load	0,913 kN/m ²

Contents

Copyright and Disclaimer Notice	2
Technical facts	3
Contents	4
1. Description	5
1.1 General	5
1.1.1 Application	5
1.1.2 Advantages	5
1.1.3 Overview	5
1.1.4 Standard	6
1.1.5 Options	6
1.1.6 Protrusion on façade	6
1.1.7 Model HI - House inflatable	7
1.1.8 Model HM - House mechanical	7
2. Specifications	10
2.1 Dimensions HI	10
2.2 Shelter selection guide HI House Inflatable	10
2.3 Dimensions HM without roof extension	11
2.4 Dimensions HM with roof extension	12
2.5 Shelter selection guide HM House Mechanical	13
2.5.1 With extension roof	13
2.5.2 Without extension roof	13
2.5.3 Fix installation height above dock IH2	13
3. Building and space requirements	14
3.1 Wall fixings Model HI – House Inflatable	14
3.2 Wall fixings Model HM – House Mechanical without extension roof	15
3.3 Wall fixings Model HM – House Mechanical with extension roof	16
3.4 Wall fixing details	17
4. Service you can rely on	18
Index	19

1. Description

1.1 General

1.1.1 Application

The innovative ASSA ABLOY LH6180IL loadhouse is an independent loading system, containing all the relevant components: leveler, shelter and door. Together with the Autodock bottom platform and the insulated cladding house, a complete, stand-alone dock loading system is formed.

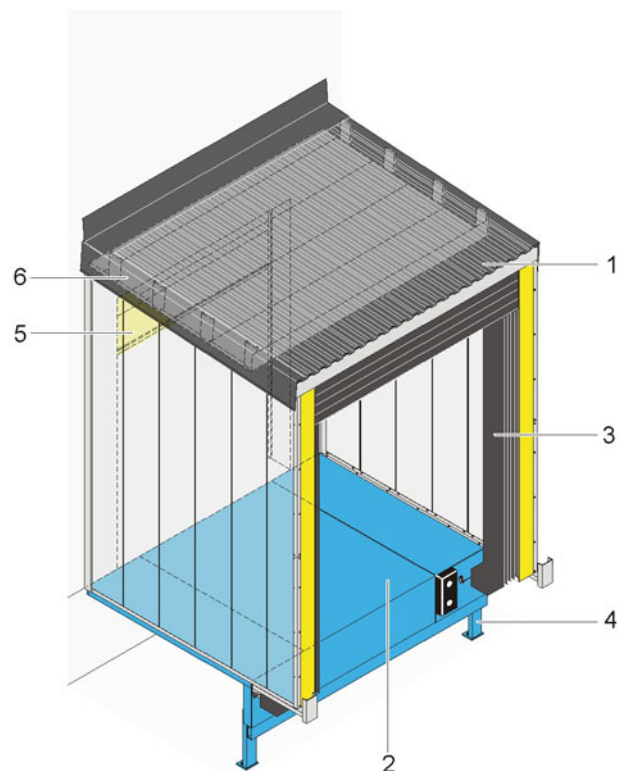
Placed outside the door opening of a warehouse or terminal, the operator will gain inside space advantages compared to a conventional, inside docking installation, in both new and existing buildings without any major building modifications. Due to the thermal separation between building and docking unit, the Loadhouse can be used in temperature-controlled applications.

The ASSA ABLOY LH6180IL loadhouse is a new insulated version with a very attractive appearance, specially developed to meet all requirements of architects, builders and operators. The outstanding feature is that the walls are made of insulated panels without a steel frame inside the loadhouse. The smooth wall surfaces are washable and meet the requirements for cleanliness e.g. from the food industry. Underneath the roof section made of a steel frame with sheet cladding, a horizontal panel even provides a smooth ceiling. The inside surfaces of the loadhouse is like a closed box with no open spaces or protruding fixtures which can cause damage or injuries whilst keeping the birds and their nests' away.

1.1.2 Advantages

- Thermal separation of warehouse and docking system guarantees considerable energy saving, important for temperature controlled and freezer warehouses.
- Insulated version with a very attractive appearance.
- Certified and tested by third party fulfilling the highest regulatory demands
- Declaration of Conformity according to EN1090
- Snow load 3,0 kN/m² according to EN1993
- The smooth wall surfaces are washable and meet the requirements for cleanliness, e.g. from the food industry.
- No open spaces or protruding fixtures inside the loadhouse to avoid injuries whilst keeping the birds and their nests' away.
- The ASSA ABLOY LH6180IL loadhouse design allows the use of an Autodock swinglip or telescopic lip leveler and the installation of a mechanical or inflatable dock shelter, whatever best suits the loading frequency.
- Because of individual components, it can be installed as a single house or a multiple system.
- The storage room in the warehouse is extended since the complete docking system is placed outside the building.
- Even shorter tax depreciation periods are possible. Please ask your tax lawyer.

1.1.3 Overview



- 1) Outside steel sheet roof
- 2) Autodock leveler
- 3) Dock shelter
- 4) Autodock support structure
- 5) Overhead sectional door
- 6) Inside insulated panel ceiling

1.1.4 Standard

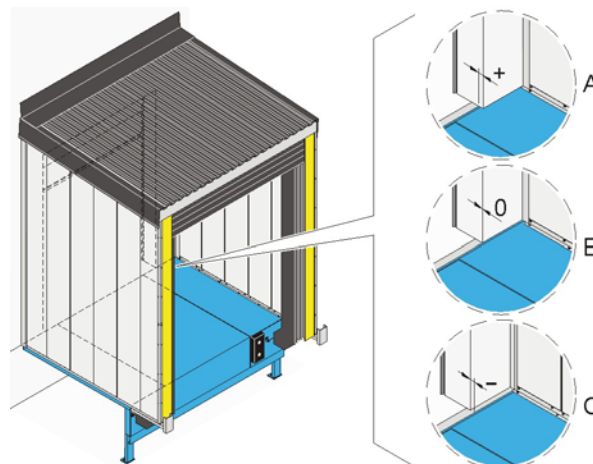
Nominal length:	2450, 3000 mm
Nominal width:	3300, 3500, 3600, 3750 mm
Angular adjustment:	90° angle to the building
Cladding type	Insulated panels
Snow load	3,0 kN/m ² according to EN1993
Installation type	Single installation
Protrusion of façade	+50 to -50 mm
Roof	Outside steel sheets Inside insulated panel ceiling
Roof color	Outside in black RAL9005 (including cover and wall connection profiles)
Wall panel color outside	RAL 3000, 5010, 6005, 7016, 7021, 7024, 9002, 9006, 9007, 9010
Wall panel color inside	RAL 9002

1.1.5 Options

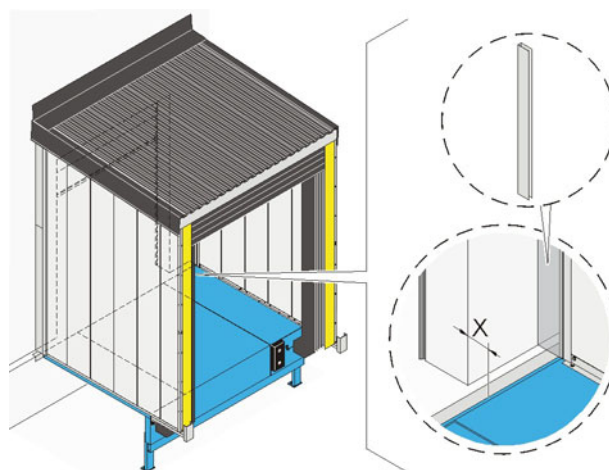
Snow load:	5,0 kN/m ² according to EN1993
Models:	HI - House inflatable shelter HM - House mechanical shelter Roof extension over mechanical shelter
Installation type	Multi installation
Protrusion of façade	up to -150 mm
Roof:	Drain pipe and gutter Gutter only for multi installation Snow protection barriers Inside without insulated panel ceiling
Wall:	Wall protection plywood veneer (light grey)
Wall color outside:	RAL 1021, 5003, 8017, 9005, or RALxxxx
Light:	Internal LED light
Angular adjustment:	45°, 60°, 75°, 105°, 120°, 135° angle to building

1.1.6 Protrusion on façade

In order to meet all kind of façades a protrusion on the façade of +50 mm to -50 mm is available as standard with an option of up to about -150 mm.



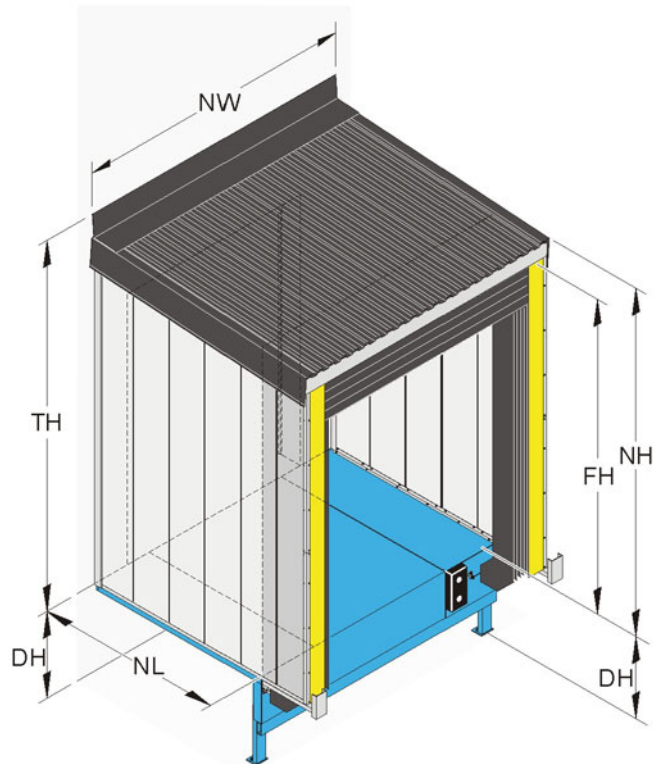
- a) Positive protrusion
- b) No protrusion
- c) Negative protrusion



Option of up to -150 mm

1.1.7 Model HI - House inflatable

The model HI is designed for an Autodock leveler with an inflatable dock shelter type DS6070R Roller or DS6070B Bags. This loadhouse solution provides a high degree of sealing.

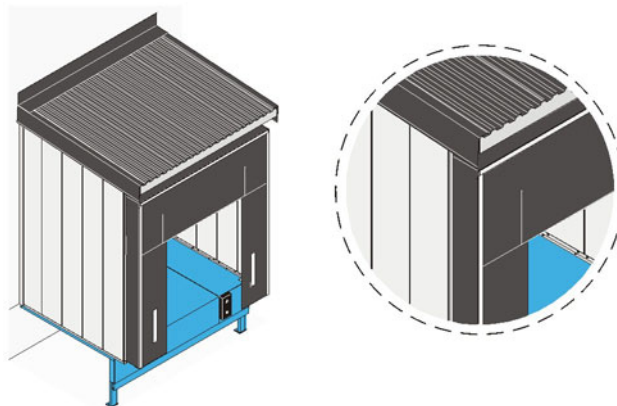


1.1.8 Model HM - House mechanical

The model HM is designed for an Autodock leveler with a mechanical dock shelter type DS6060A Aluminum, DS6060S Steel, or DS6060P Parallel. This loadhouse solution is the most economical for external dock installations. It is available in two versions:

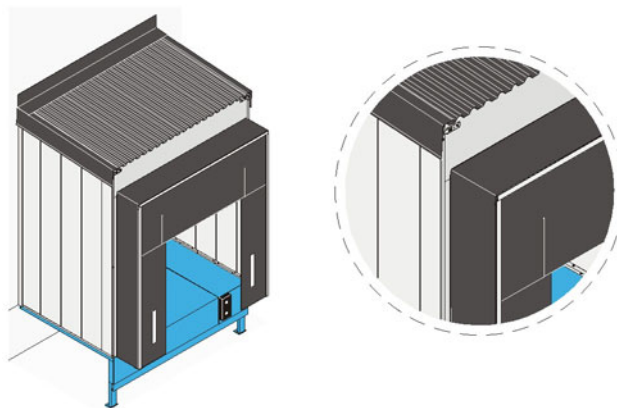
a) With extension roof

The snow load of the loadhouse is also valid for the roof part over the mechanical dock shelter.



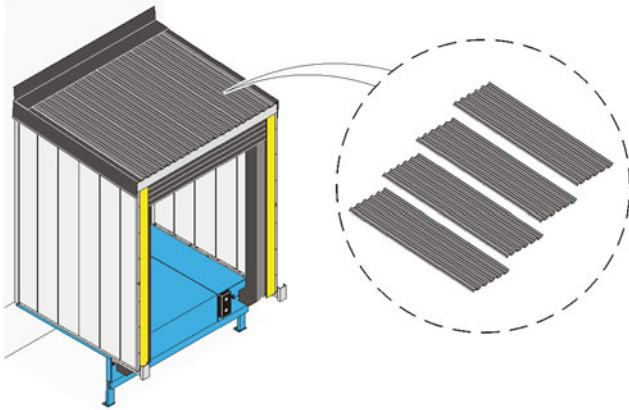
b) Without extension roof

The snow load of the loadhouse is only valid for the loadhouse roof, not for the mechanical dock shelter.

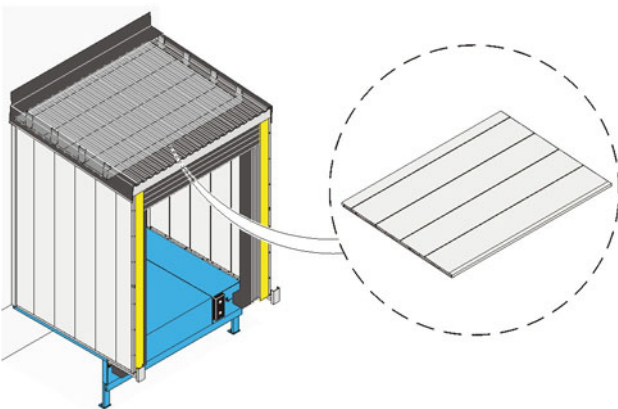


Roof

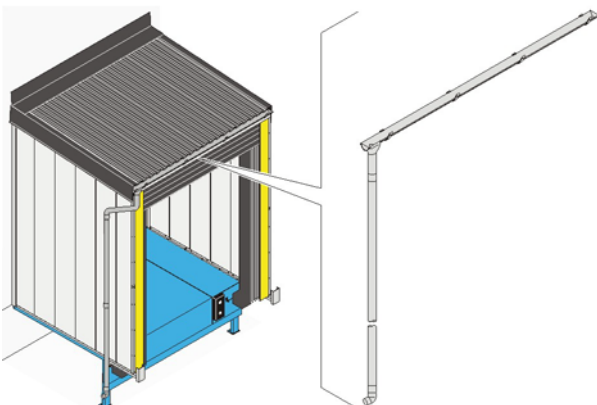
Outside: Steel sheet roof



Inside: Insulated panel ceiling

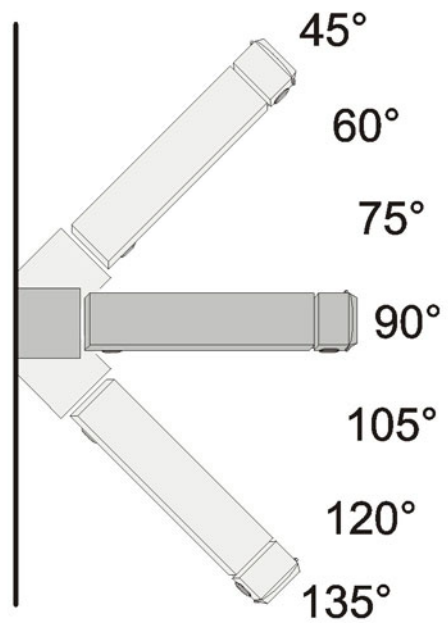


Drain pipe and gutter:

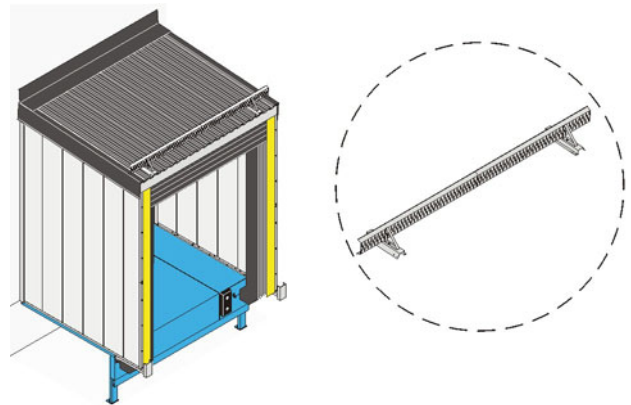


Angular adjustments:

For applications where the yard space is limited, the loadhouse can be installed with angular adjustments.

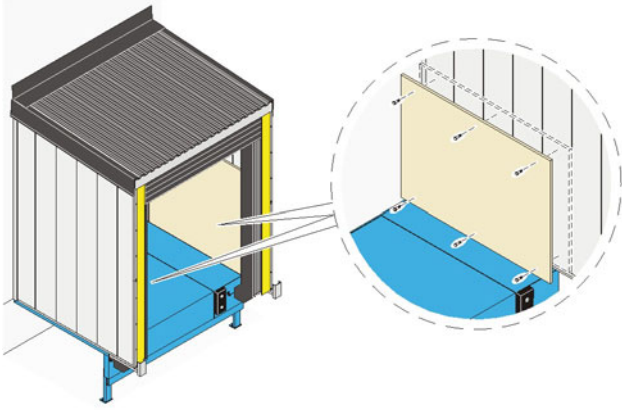


Snow protection barriers:



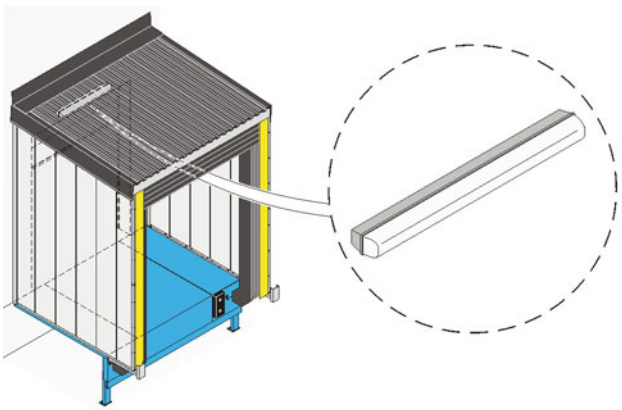
Wall

Wall protection plywood veneer:



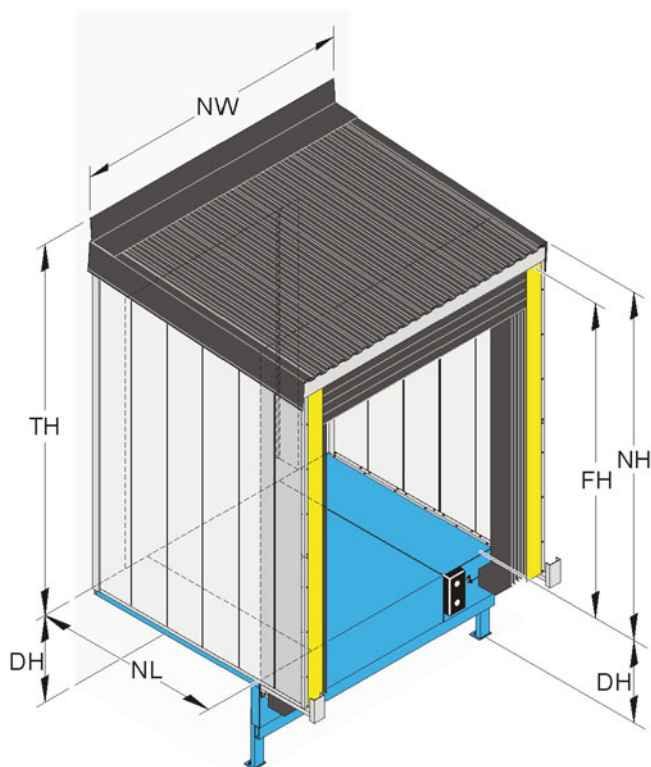
Light

Internal LED light:



2. Specifications

2.1 Dimensions HI



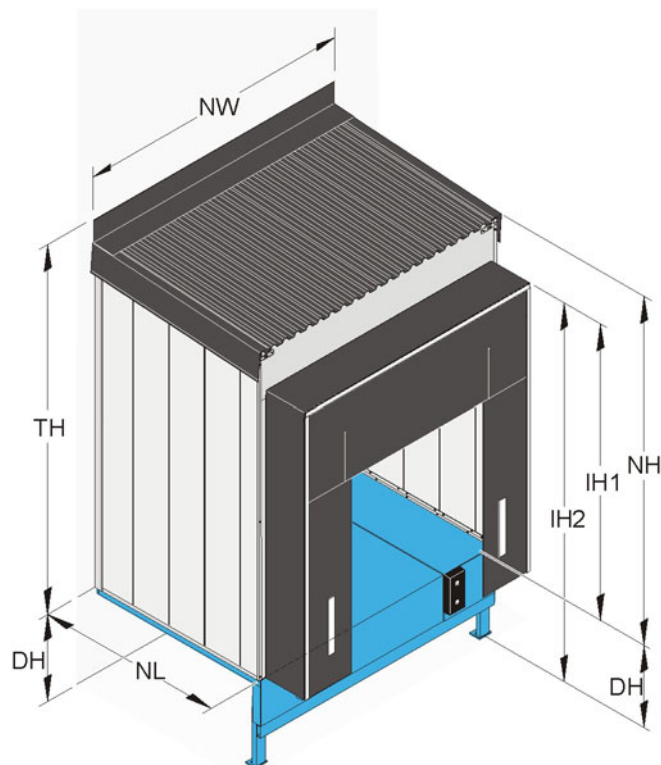
NW	Nominal width (3600, 3750 mm)
NL	Nominal length (2450, 3000 mm)
TH	Total height
DH	Dock height
NH	Nominal height loadhouse
FH	Free height above finish floor level

NL	FH	NH	TH
2450	3300	3750	4275
2450	3600	4050	4575
2450	3900	4350	4875
2450	4100	4550	5075
3000	3300	3750	4320
3000	3600	4050	4620
3000	3900	4350	4920
3000	4100	4550	5120

2.2 Shelter selection guide HI House Inflatable

The inflatable shelters DS6070B and DS6070R are suitable for the version HI House Inflatable in the same NW Nominal Width and FH Free Height as the loadhouse.

2.3 Dimensions HM without roof extension



HM without extension roof

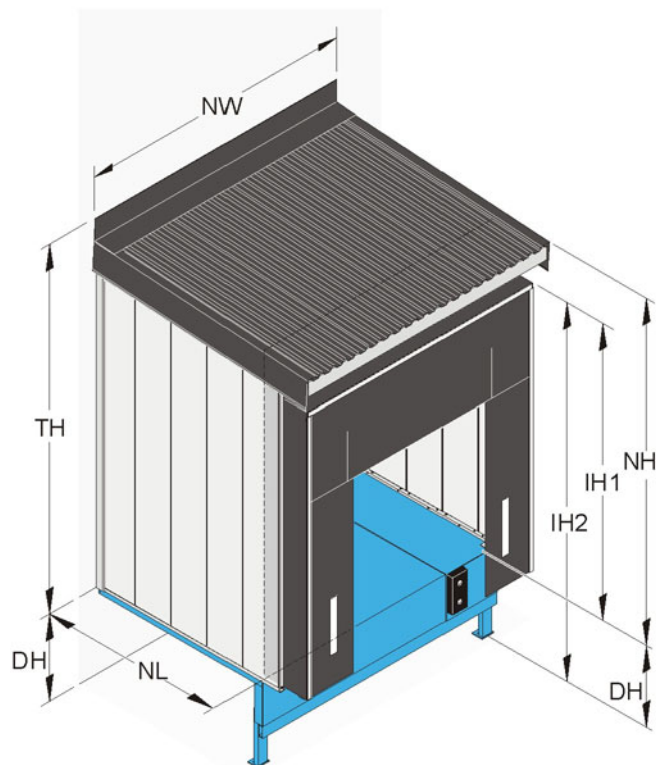
NW	Nominal width (3300, 3500 mm)
NL	Nominal length (2450, 3000 mm)
TH	Total height
DH	Dock height
NH	Nominal height loadhouse
NT	Nominal width loadhouse
IH1	Shelter Installation height above finish floor level
IH2	Shelter Installation height above yard

NL	IH1	NH	TH
2450	2950-3100	3400	3875
2450	3150-3300	3600	4075
2450	3350-3500	3800	4275
2450	3550-3700	4000	4475
2450	3750-3900	4200	4675
2450	3950-4100	4400	4875
2450	4150-4300	4600	5075
3000	2950-3100	3400	3920
3000	3150-3300	3600	4120
3000	3350-3500	3800	4320
3000	3550-3700	4000	4520
3000	3750-3900	4200	4720
3000	3950-4100	4400	4920
3000	4150-4300	4600	5120

Remark:

The height of the HM House Mechanical is available in steps of 200 mm. Each size facilitates the installation of the dock shelters in 4 steps of 50 mm.

2.4 Dimensions HM with roof extension



HM with extension roof

NW	Nominal width (3500, 3600 mm)
NL	Nominal length (2450, 3000 mm)
TH	Total height
DH	Dock height
NH	Nominal height loadhouse
NT	Nominal width loadhouse
IH1	Shelter Installation height above finish floor level
IH2	Shelter Installation height above yard

NL	IH1	NH	TH
2450	2950 - 3100	3350	3875
2450	3150-3300	3550	4075
2450	3350-3500	3750	4275
2450	3550-3700	3950	4475
2450	3750-3900	4150	4675
2450	3950-4100	4350	4875
2450	4150-4300	4550	5075
3000	2950-3100	3350	3920
3000	3150-3300	3550	4120
3000	3350-3500	3750	4320
3000	3550-3700	3950	4520
3000	3750-3900	4150	4720
3000	3950-4100	4350	4920
3000	4150-4300	4550	5120

Remark:

The height of the HM House Mechanical is available in steps of 200 mm. Each size facilitates the installation of the dock shelters in 4 steps of 50 mm.

2.5 Shelter selection guide HM House Mechanical

The mechanical shelters DS6060A, DS6060S, and DS6060P are suitable for the version HM House Mechanical. The version with extension roof is only available for shelter depth of 600 mm.

2.5.1 With extension roof

Depending on the width of the loadhouse, the right selection of the mechanical shelter width is indicated in this table both for single and multi installations:

HM width	Shelter width			
	3250	3300*	3400*	3450
3500	X	X		
3600			X	X

* Shelter width 3300 and 3400 only available for DS6060P

2.5.2 Without extension roof

Depending on the installation type (single or multi) and the width of the loadhouse, the right selection of the type of mechanical shelter & nominal width is indicated in these tables:

HM type	HM width	DS6060 P NW 3200	DS6060 A/ DS6060 P/ DS6060 S NW 3250	DS6060 P NW 3400	DS6060 A/ DS6060 P/ DS6060 S NW 3450
Multi	3300	X			
Single	3300		X		
Multi	3500			X	
Single	3500				X

2.5.3 Fix installation height above dock IH2

Depending on the fix installation height above dock IH 2 the right loadhouse size is indicated in this table for the different ranges of dock height DH. The installation height should be minimum 250 mm above the truck to secure that the pressure is not too big on the complete top part of the shelter and in order to avoid damages or bad functionality.

IH 2 - Shelter Installation height above yard = 4500			
NL	NH	TH	DH
2450	3400/ 3350	3875	1400 - 1500
2450	3600/ 3550	4075	1200 - 1350
3000	3400/ 3350	3920	1400 - 1500
3000	3600/ 3550	4120	1200 - 1350

IH 2 - Shelter Installation height above yard = 4600

NL	NH	TH	DH
2450	3400/ 3350	3875	1300 - 1450
2450	3600/ 3550	4075	1100 - 1250
3000	3400/ 3350	3920	1300 - 1450
3000	3600/ 3550	4120	1100 - 1250

IH 2 - Shelter Installation height above yard = 4800

NL	NH	TH	DH
2450	3600/ 3350	4075	1300 - 1450
2450	3800/ 3550	4275	1100 - 1250
3000	3600/ 3350	4120	1300 - 1450
3000	3800/ 3550	4320	1100 - 1250

IH 2 - Shelter Installation height above yard = 5000

NL	NH	TH	DH
2450	3800/ 3750	4275	1300 - 1450
2450	4000/ 3950	4475	1100 - 1250
3000	3800/ 3750	4320	1300 - 1450
3000	4000/ 3950	4520	1100 - 1250

IH 2 - Shelter Installation height above yard = 5200

NL	NH	TH	DH
2450	4000/ 3950	4475	1300 - 1450
2450	4200/ 4150	4675	1100 - 1250
3000	4000/ 3950	4520	1300 - 1450
3000	4200/ 4150	4720	1100 - 1250

IH 2 - Shelter Installation height above yard = 5400

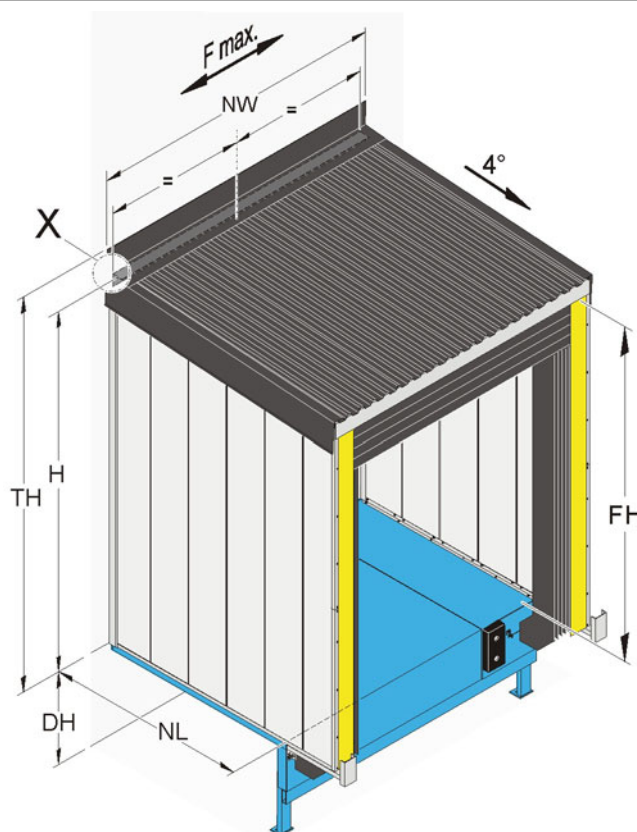
NL	NH	TH	DH
2450	4200/ 4150	4675	1300 - 1450
2450	4400/ 4350	4875	1100 - 1250
3000	4200/ 4150	4720	1300 - 1450
3000	4400/ 4350	4920	1100 - 1250

IH 2 - Shelter Installation height above yard = 5600

NL	NH	TH	DH
2450	4600/ 4550	5075	1300 - 1450
3000	4600/ 4550	5120	1300 - 1450

3. Building and space requirements

3.1 Wall fixings Model HI – House Inflatable

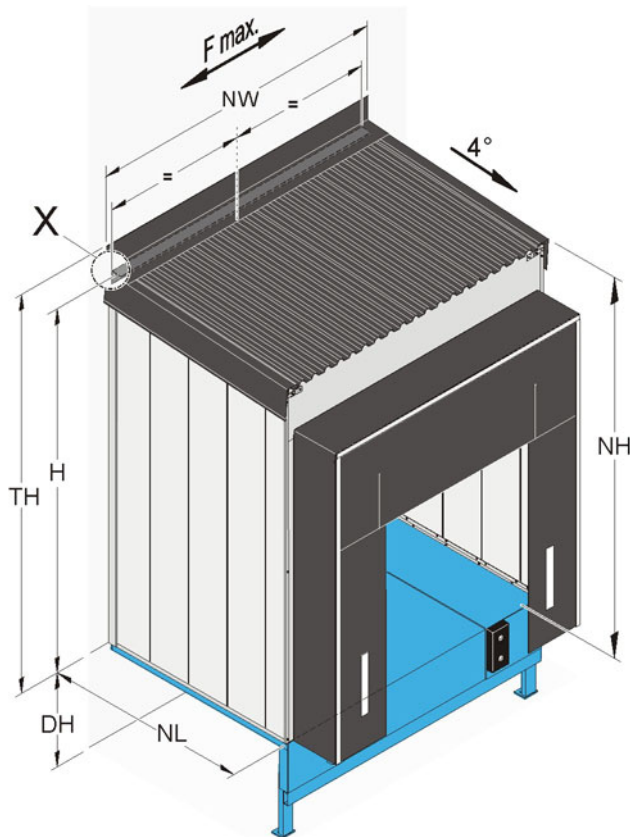


F max. = maximum wall fixing force (kN)

NL	F max
2450	6,9 kN
3000	8,4 kN

NL = 2450		NL = 3000	
FH	H	NH	H
3300	3852	3750	3897
3600	4152	4050	4197
3900	4452	4350	4497
4100	4652	4550	4697

3.2 Wall fixings Model HM – House Mechanical without extension roof

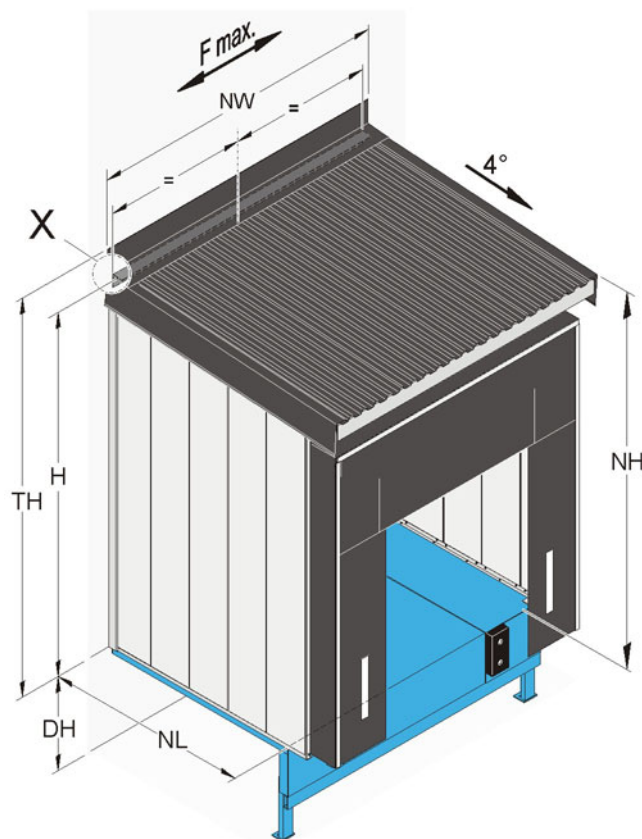


F max. = maximum wall fixing force (kN)

NL	F max
2450	6,9 kN
3000	8,3 kN

NL = 2450		NL = 3000	
NH	H	NH	H
3400	3452	3400	3497
3600	3652	3600	3697
3800	3852	3800	3897
4000	4052	4000	4097
4200	4252	4200	4297
4400	4452	4400	4497
4600	4652	4600	4697

3.3 Wall fixings Model HM – House Mechanical with extension roof



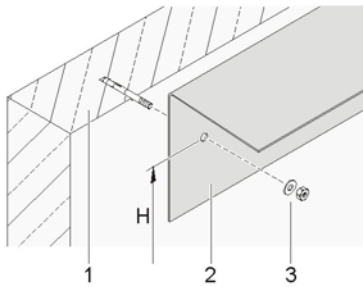
F max. = maximum wall fixing force (kN)

NL	F max
2450	6,9 kN
3000	8,3 kN

NL = 2450		NL = 3000	
NH	H	NH	H
3350	3452	3350	3497
3550	3652	3550	3697
3750	3852	3750	3897
3950	4052	3950	4097
4150	4252	4150	4297
4350	4452	4350	4497
4550	4652	4550	4697

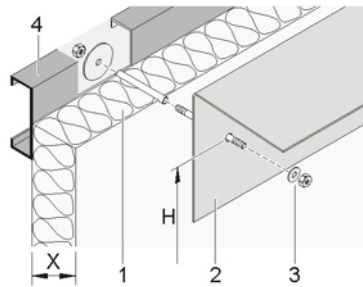
3.4 Wall fixing details

Concrete wall



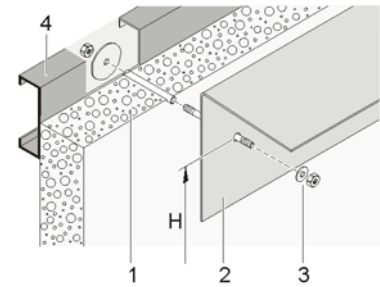
- 1) Concrete wall
- 2) Roof profile
- 3) Dowel with washer

Insulated wall



- 1) Insulated wall
- 2) Roof profile
- 3) Space tube and threaded bolt with nut and washer

Light concrete wall



- 1) Light concrete wall
- 2) Roof profile
- 3) Space tube and threaded bolt with nut and washer

4. Service you can rely on



Gold

The ultimate protection

With full coverage, Gold Service enables you to plan and budget your expenses annually.

- Spare parts for emergency calls
- Labor and travel costs for emergency calls
- Replacement of components according to preventive maintenance schedule and to fulfill legislative and safety requirements

Silver

Added advantages

With cover for all service calls during business hours, Silver Service offers you peace of mind.

- Labor and travel costs for emergency calls
- Preventive maintenance

Bronze

Scheduled Service

With scheduled on site visits, Bronze Service means you know that your doors and docking systems will be regularly serviced and inspected.

- Preventive maintenance

Included in all packages

1-4 scheduled maintenance visits per year

24/7 priority service hotline and fast response

Safety, compliance and quality control checks

Documentation reports provided on site

Expert service you can rely on

A healthy business enjoys a steady flow of goods, services and people through its entrances every day. But heavy traffic puts entrances under pressure as every component works to keep them running.

ASSA ABLOY Entrance Systems offer the industry's most complete, flexible service solutions. Because even something as robust and well-engineered as an ASSA ABLOY door or docking system needs to be serviced to stay in great working order.

Pro-active care packages

An ASSA ABLOY service agreement gives you service you can rely on. We have specialized local service technicians on call to take care of your service needs. Equipped with a wide range of spare parts and expertise, to keep your industrial doors and docking systems running.

With an ASSA ABLOY service agreement you can ensure reliable, safe and sustainable operations at every entrance under your agreement, including doors and docking systems, independent of brand.

ASSA ABLOY e-maintenance™ (optional add-on)

For an online overview of your entrance systems and history, add ASSA ABLOY e-maintenance™ to your service package for:

- Easy access to real-time data on all your doors
- Planning, order and service information
- Overview that helps you control lifecycle costs

Index

A

Advantages	5
Application	5

B

Building and space requirements ...	14
-------------------------------------	----

C

Copyright and Disclaimer Notice	2
---------------------------------------	---

D

Description	5
Dimensions HI	10
Dimensions HM with roof extension	12
Dimensions HM without roof extension	11

F

Features	3
Fix installation height above dock IH2	13

G

General	5
---------------	---

M

Model HI - House inflatable	7
Model HM - House mechanical	7

O

Options	6
Overview	5

P

Performance	3
Protrusion on façade	6

S

Service you can rely on	18
Shelter selection guide HI House Inflatable	10
Shelter selection guide HM House Mechanical	13
Specifications	10
Standard	6

T

Technical facts	3
-----------------------	---

W

Wall fixing details	17
Wall fixings Model HI – House Inflatable	14
Wall fixings Model HM – House Mechanical with extension roof	16
Wall fixings Model HM – House Mechanical without extension roof	15
With extension roof	13
Without extension roof	13

The ASSA ABLOY Group is the global leader in access solutions.
Every day, we help billions of people to experience a more open world.

ASSA ABLOY
Entrance Systems

ASSA ABLOY Entrance Systems provides solutions for efficient and safe flow of goods and people. Our offering includes a wide range of automated pedestrian, industrial and residential doors, loading dock equipment, perimeter fencing and service.

Follow us:



Please enter ASSA ABLOY Entrance
in the channel's search field.