

Automatic circular sliding door system MP200

Design:
Fully automatic double-leaf circular sliding door with self-learning 32 bit door control system, low-noise, long-life door leaf guide, start impulse triggered by a motion detector; sensor protection incl. overcurrent detection; I-record connection via bluetooth

Dimensions:
Total diameter Q: 1600-2500 [mm]
Passage width A: 987-1634 [mm]
Canopy height I: 220-1000 [mm]
Passage height G: 2000-3000 [mm]
Total height J: 2220-4000 [mm]
Profile-System ALU 20 or 30 width [mm]

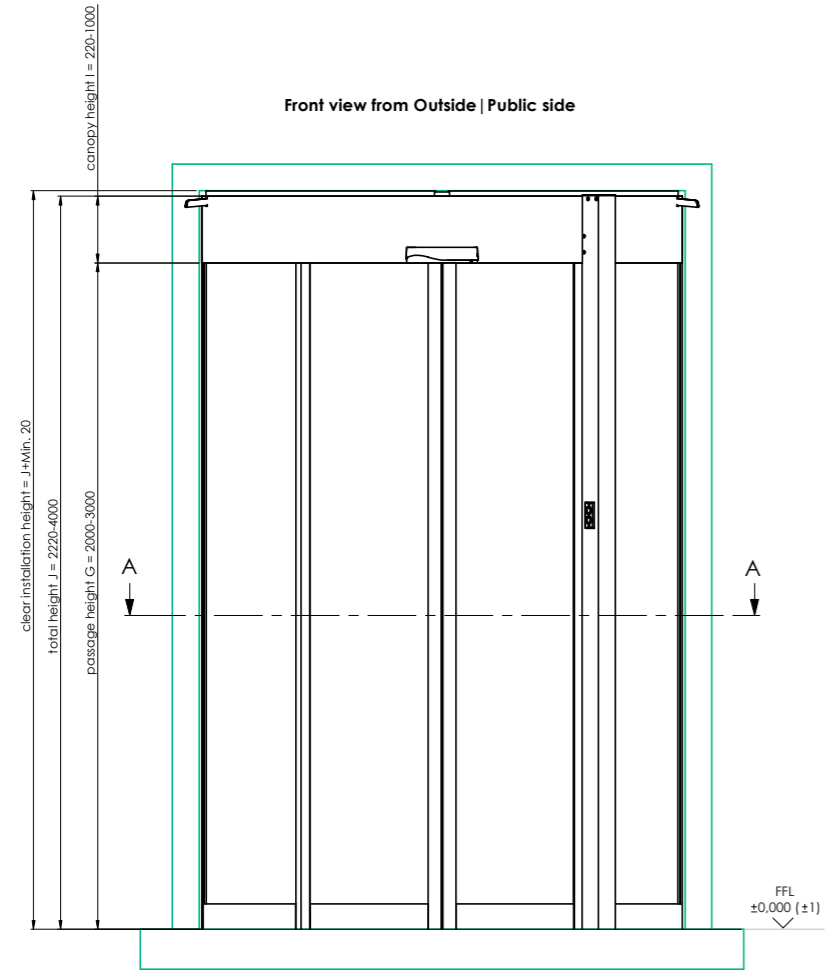
Glass:
Profile system 20 [mm] - 10,28 [mm] max. glass thickness
Profile system 30 [mm] - 19,52 [mm] max. glass thickness

Signal lights and BDE-D flush mount always as standard

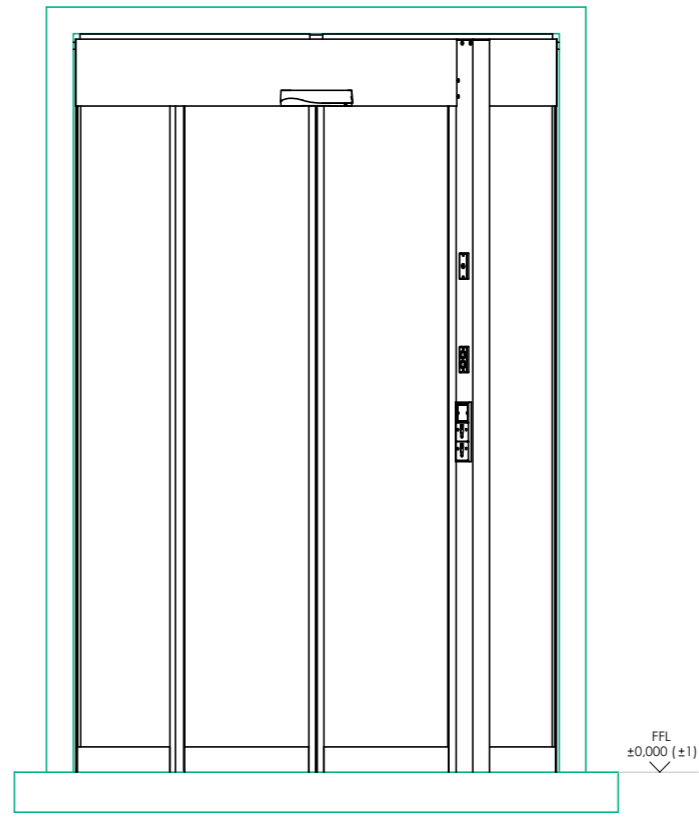
- Options:**
- Floor Guide:**
- Finished floor
 - Floor guide rail
 - Floor ring
- Mechanical options:**
- Resistance class RC2/RC3 (30 mm Profile system)
 - Air curtain (dependent on other options)
 - Locking device (inside/outside)
 - Roof options:
 - White coated chipboard
 - Dust roof cover
 - Water-tight tray roof
 - Facade connection
- Electrical options:**
- Input for fire alarm
 - Door position contact "closed"
 - Lock monitoring contact
 - Uninterrupted power supply
 - LED build-in Lights
 - Emergency stop switch
 - Emergency opening switch
 - Battery pack
 - Control unit BDE-D surface mount (flush mount as standard)
 - Key operating switch BDE-V
- Access control:**
- Signal lights
 - Flash light
 - Maintenance mode
 - Clean mode
 - BMS-outputs
 - Voice module

| Security level/functions | Low | Middle | High | Superior |
|---|-----|--------|------|----------|
| Identity check | ✓ | ✓ | ✓ | ✓ |
| Anti-Tailgating (contact mat) | ✗ | ✓ | ✗ | ✓ |
| Anti-Piggybacking (TOF-3D sensor) | ✗ | ✗ | ✓ | ✓ |
| Tailgating & Piggybacking (contact mat+TOF-3D sensor) | ✗ | ✗ | ✗ | ✓ |

Front view from Outside | Public side

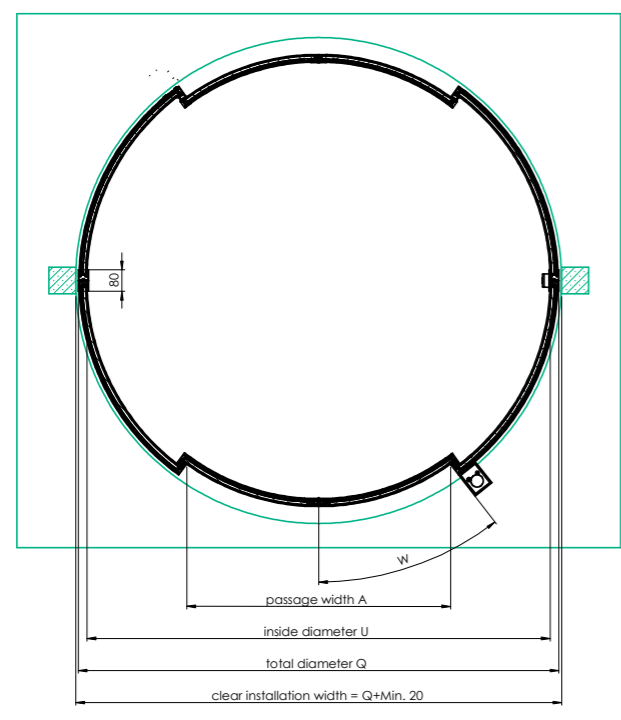


Front view from Inside | Secure side



A-A

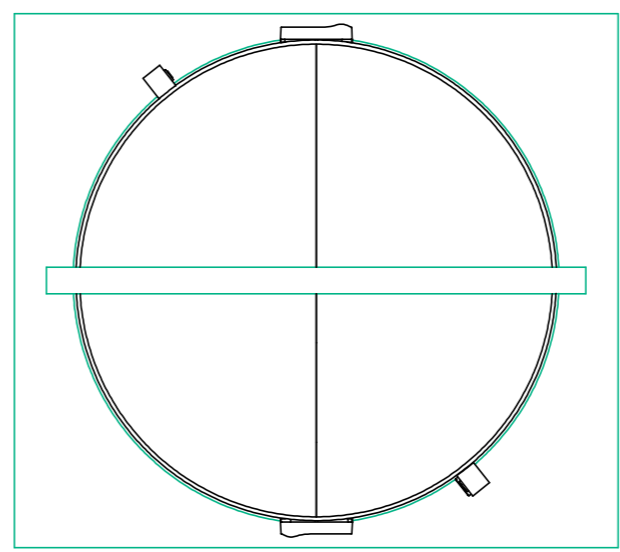
Inside | Secure side



Outside | Public side

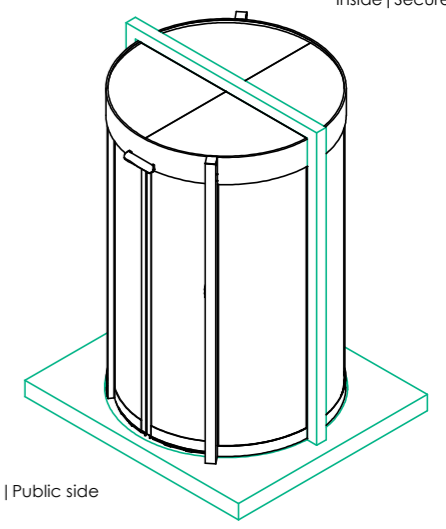
Top view

Outside | Public side



Inside | Secure side

Inside | Secure side



Outside | Public side

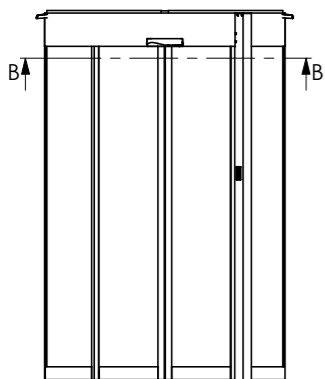
(1 : 20)

| Q | Profile system 20 [mm] (W=43,5°) | | Profile system 30 [mm] (W=43,5°) | |
|------|----------------------------------|------|----------------------------------|------|
| | A | U | A | U |
| 1600 | 1015 | 1554 | 987 | 1534 |
| 1700 | 1083 | 1654 | 1056 | 1634 |
| 1800 | 1152 | 1754 | 1125 | 1734 |
| 1900 | 1221 | 1854 | 1194 | 1834 |
| 2000 | 1290 | 1954 | 1262 | 1934 |
| 2100 | 1359 | 2054 | 1331 | 2034 |
| 2200 | 1428 | 2154 | 1400 | 2134 |
| 2300 | 1496 | 2254 | 1469 | 2234 |
| 2400 | 1565 | 2354 | 1538 | 2334 |
| 2500 | 1634 | 2454 | 1607 | 2434 |

Passage width A for RC2/RC3 is slightly lower (30-40 mm)
 Max. Opening angle with outer Ø1600 - 1999mm = 41.7°
 Max. Opening angle for outer Ø2000 - 2500mm = 42.4°

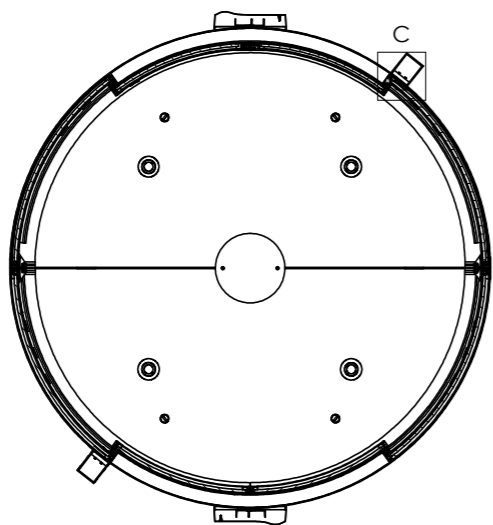
Ceiling

Front view from Outside | Public side
(1 : 20)



B-B
Middle / Low

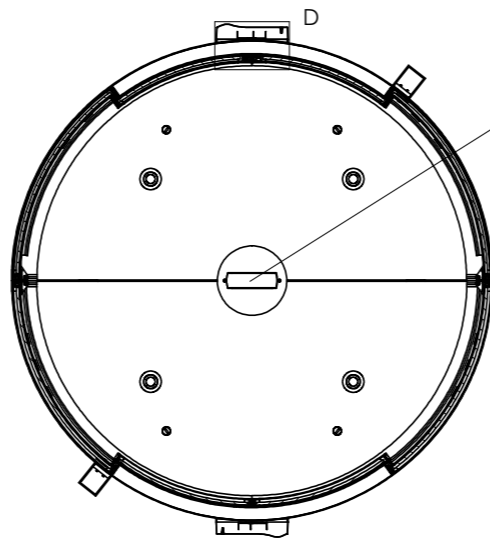
Outside | Public side



Inside | Secure side

B-B
Superior / High

Outside | Public side

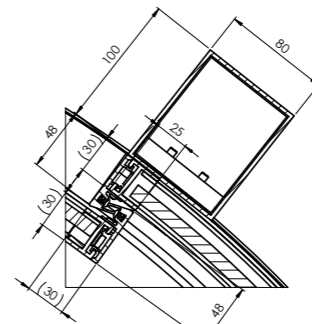


Inside | Secure side

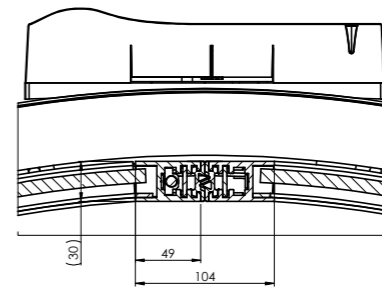
3D sensor for monitoring:
- Number of people
- Anti-tailgating
- Anti-piggybacking

Main+Secondary closing edge

Profile system 30 [mm]

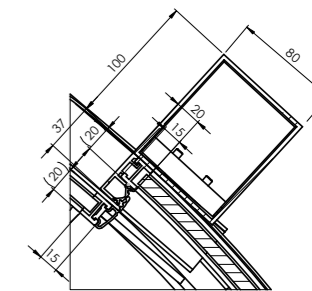


C
(1 : 2)

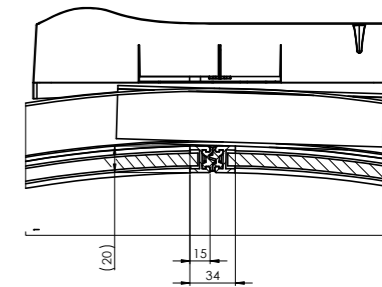


D
(1 : 2)

Profile system 20 [mm]



C
(1 : 2)

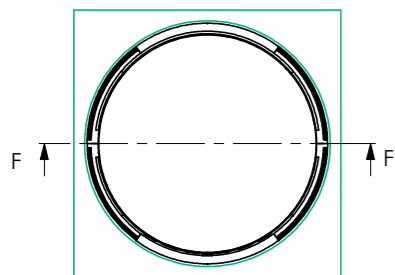


D
(1 : 2)

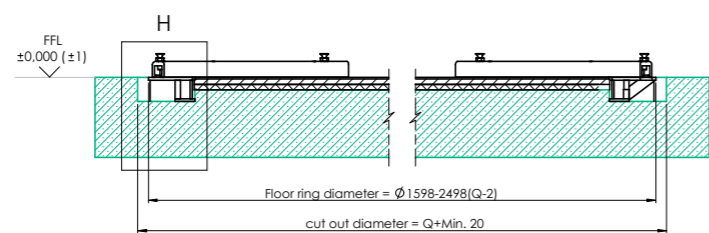
Floor guide

Top view Floor ring
(1 : 20)

Need for Middle/ Superior (Contact mat)

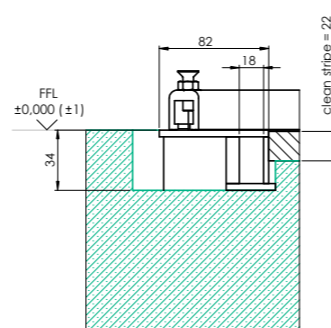


Profile system 30 [mm]

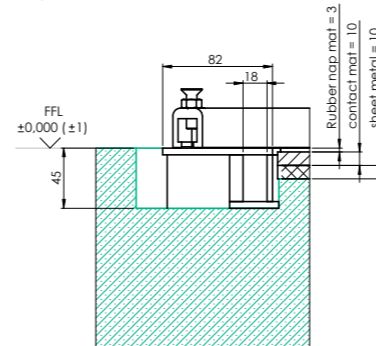


F-F
(1 : 2)

34 [mm] as Standard
45 [mm] for RC2/RC3

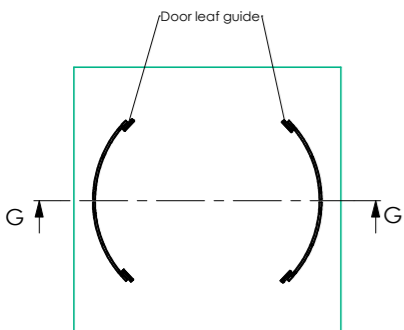


H
(1 : 2)

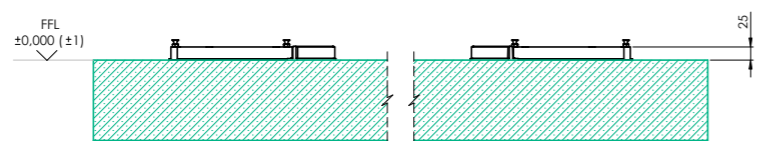


H
(1 : 2)

Top view finished floor
(1 : 20)



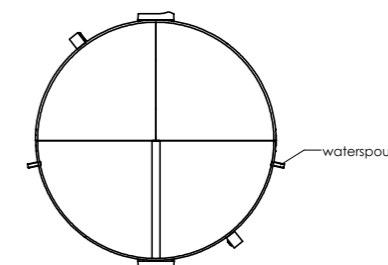
Profile system 20 [mm]



G-G
(1 : 5)

Water roof

Inside | Secure side

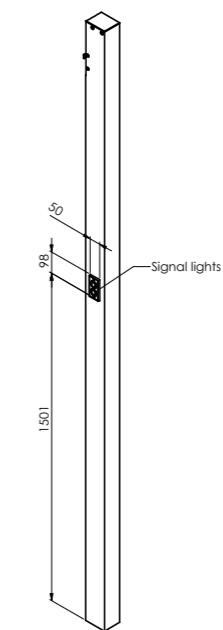


Outside | Public side
(1 : 20)

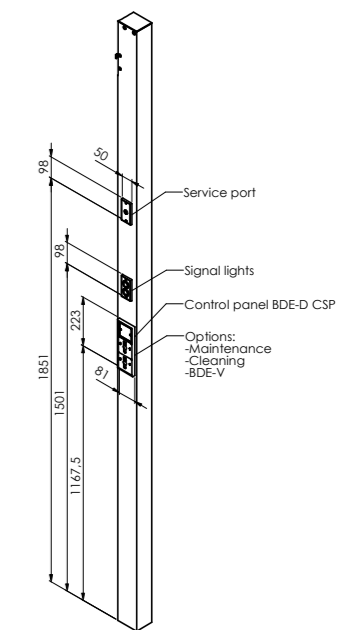
The water roof option does not affect the general dimensions of the door system (with the exception of the waterspouts).

Posts

Outside | Public side



Inside | Secure side



- External access control can be integrated.
- Traffic light displays (red/green) indicate the operating status on both sides.
- A key switch enables cleaning of the portal. The cleaning mode ensures that the door remains closed to the public side, while the secure side stays open.
- A key switch enables maintenance work to be carried out. In maintenance mode, the door to the secure side is opened permanently, while the public side remains closed.

| | | | | | |
|-------------------|------|----------|------------|----------|--|
| Surface treatment | | Material | | Remark | |
| General tolerance | | Scale | | Date | |
| ISO 2768 | 1:10 | SSC | 2022-10-12 | Approved | |
| Description | | Rev. | | Sheet | |
| ASSA ABLOY MP200 | | A | | A0 2 (2) | |
| Drawing No. | | | | | |