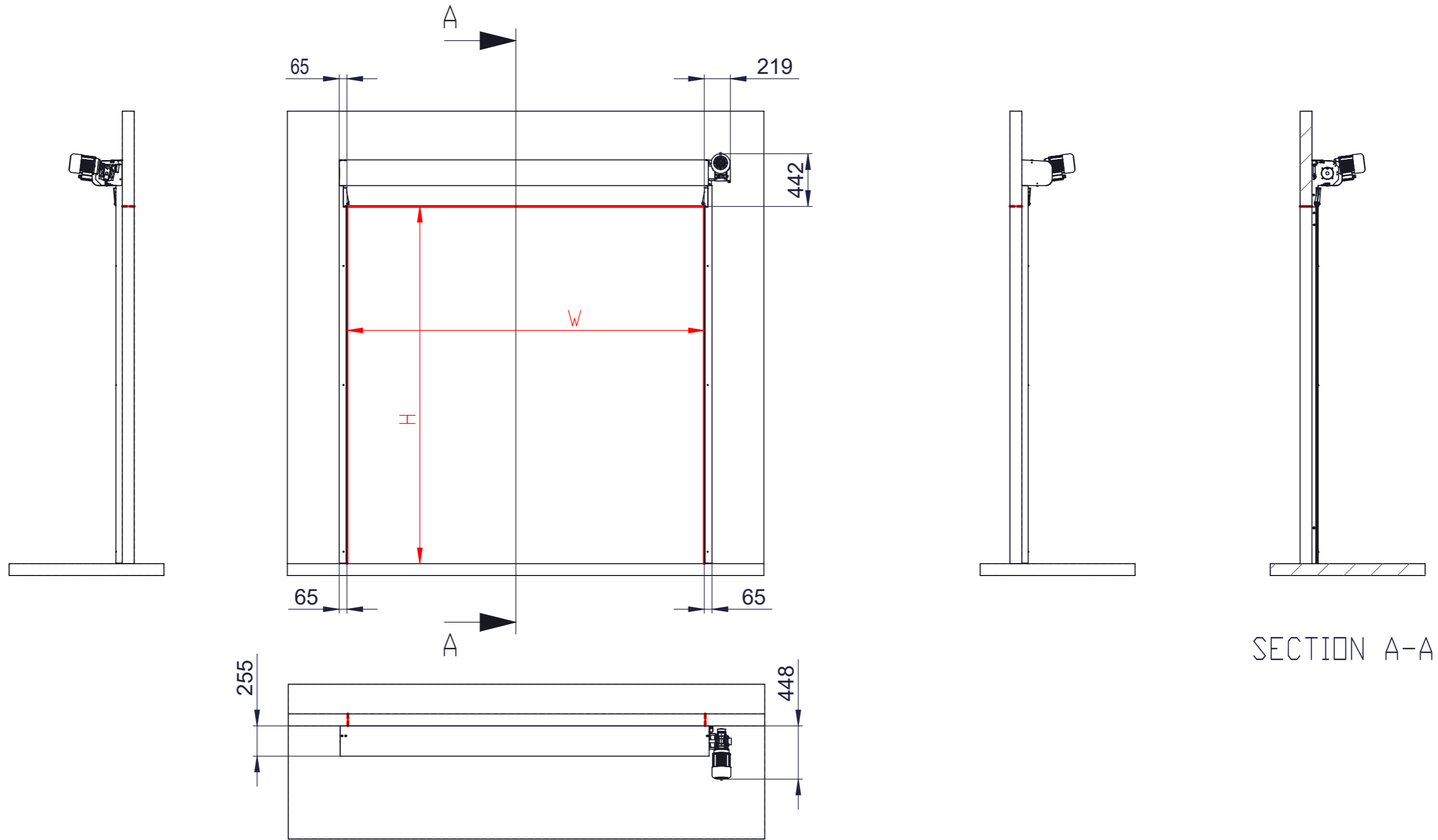


This work is copyright and no part may be reproduced, by any process, nor may any other exclusive right be exercised without the permission of ASSA ABLOY.



SECTION A-A

all sizes
 No motor cover available with horizontal motor
 Motor side right drawn
 Motor side left = mirror of motor side right

2								
Rev.	Ref.-No.	Change				Date	Name	
Surface treatment:		Material:			General tolerance: ISO 8015 ISO 2768-mH			
Volume:	Mass:	Surface area:	Created (YYYY-MM-DD): 2022-02-23	Designed by: micber	Drawn by: micber	Scale: 1:34 (A3)	Projection: 	
ASSA ABLOY ASSA ABLOY Entrance Systems HPDS		Door		Product_drawing_ASSA_ABLOY_HS9		Alternate ID 2010-0283		Rev.: 2
		120_horizontal_motor_en		Document ID D001306824-001				

Approved 2022-02-23