

Dock leveler

ASSA ABLOY DL6020TI

ASSA ABLOY

ASSA ABLOY Entrance Systems

The global leader in
door opening solutions



Energy saving telescopic lip dock leveler for cold storage facilities

Unbroken temperature chains in storage, loading and transportation are vital. In addition, big temperature differences between the inside and outside of a cold storage facility might create costly energy losses during loading and unloading. The ASSA ABLOY DL6020TI Teledock Isodock has been designed to cope with such demands. Studies made by the Institute of Thermodynamics at Hanover University show that, compared to conventional docking systems, energy savings of up to 75 percent are created.

Unlike conventional docking systems, the ASSA ABLOY DL6020TI Teledock Isodock leveler is placed behind a well insulated sectional door. In closed position it is very well sealed off from below, preventing cold or hot air access.

Besides that, the ASSA ABLOY DL6020TI Teledock Isodock is designed in such a way that impact forces from docking vehicles are absorbed by the building floor. The frost-proof foundation is separated from the building floor just by a gap for housing the sectional door – not as a separate building construction. Complicated building arrangements can be avoided.

ASSA ABLOY 950 series - the intelligent, all in one, docking control system

The innovative and unique 950 series docking control system gives you direct control of the dock leveler, dock shelter and door all in one control unit. With only a few self explaining buttons it is easy to operate, to meet the demands of modern logistics. Separate steering units or complex wiring are no longer needed.

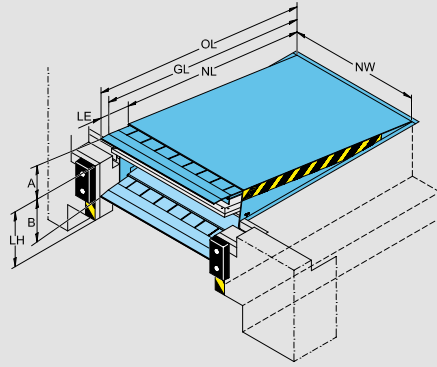
ASSA ABLOY DE6090DI Dock-IN

ASSA ABLOY Dock-IN is the world's first combined solution with parking guide and traffic lights in one system. ASSA ABLOY Dock-IN ensures a safe and secure dock in procedure with the help of white guiding lights and red traffic lights. There is no need to paint and repaint guiding lines on the asphalt or install conventional steel parking guides, which are an obstacle in the yard. With modern LED technology ASSA ABLOY Dock-IN has a low energy consumption and a long life.

Technical Data

Nominal length	2000, 2500, 3000 mm
Nominal width	2000, 2200 mm
Load capacity	60 kN (6 tonnes)
Vertical working range	
Rise above dock	up to 520 mm
Fall below dock	down to 460 mm
Platform tear-plate thickness	8/10 mm
Max. point load leveler platform	6,5 N / mm ² (8 mm tear plate)
Insulation thickness	40 mm
Lip material & length	steel or aluminium, 1000 mm
Lip option	tapered lip / Retracting tongues
Control unit protection class	IP 54
Temperature range hydraulic oil	-20°C - +60°C
Magnetic valves	24 V / DC 18W S1
Nominal voltage	400V 3-phase
Nominal motor power	1,5 kW
European standard	EN 1398 Dock levelers

Dimensions

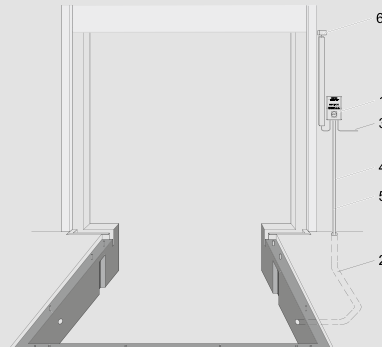


NL	Nominal length
OL	Overall length
GL	Gradient length
NW	Nominal width
LE	Leveler extension
LH	Leveler height
A	Working range above dock level
B	Working range below dock level

NL	Nominal length	2000	2500	3000
LH	Leveler height	830	830	900
PD	Pit depth	850	850	920
A	Range above dock	380	450	520
B	Range below dock	460	450	450
OL	Overall length	3000	3500	4000
GL	Gradient length	2860	3360	3860

Nominal width 2000, 2200 for all sizes

Electrical preparations



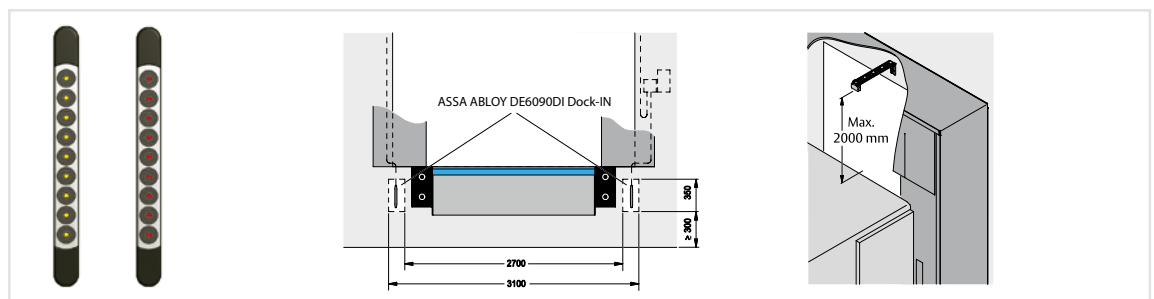
1	Control unit (included in the delivery)
2	Conduit for wiring internal diameter 70, angles <45° (by others)
3	Mains supply: 3 / N / PE AC 50 Hz Mains fuse: D0 10 A gL Motor power: 1,5 kW
4	Cable: 7 x 0,75 mm ²
5	Motor cable: 4 x 1,5 mm ²
6	Optional safety switch on sectional door to disable leveler when door is closed*

*Non standard

Operating functions for Tele lip levelers



ASSA ABLOY DE6090DI Dock-IN



Standard available colours

	Red RAL 3002		Green RAL 6005
	Blue RAL 5010		Jet Black RAL 9005