

Dock leveler

ASSA ABLOY DL6120TA

ASSA ABLOY

ASSA ABLOY Entrance Systems

The global leader in
door opening solutions



Telescopic lip dock leveler with self supporting frame

The ASSA ABLOY DL6120TA Teledock Autodock has a telescopic lip and self supporting frame for easy integration with a building. It is the base of a complete Load house outside the building containing all relevant components, leveler, shelter and door to make it a total docking solution. The ASSA ABLOY DL6120TA Teledock Autodock is suitable for every loading situation – regardless of its complexity. The main advantage compared to other levelers is the movable telescopic lip which can be precisely positioned on the vehicle bed, thus giving optimal load utilisation of the whole vehicle bed area.

The ASSA ABLOY DL6120TA Teledock Autodock:

- Telescopic lip giving optimal load utilization of the whole vehicle bed area.
- Easy and comfortable operation.

The option Ergonomic Lip:

- Absolute bump free transition from the leveler platform to the lip.
- Especially designed for operations with typical electric pallet trucks without spring bumpers.

ASSA ABLOY 950 series - the intelligent, all in one, docking control system

The innovative and unique 950 series docking control system gives you direct control of the dock leveler, dock shelter and door all in one control unit. With only a few self explaining buttons it is easy to operate, to meet the demands of modern logistics. Separate steering units or complex wiring are no longer needed.

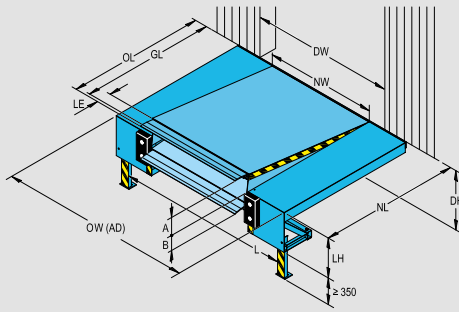
ASSA ABLOY DE6090DI Dock-IN

ASSA ABLOY Dock-IN is the world's first combined solution with parking guide and traffic lights in one system. ASSA ABLOY Dock-IN ensures a safe and secure dock in procedure with the help of white guiding lights and red traffic lights. There is no need to paint and repaint guiding lines on the asphalt or install conventional steel parking guides, which are an obstacle in the yard. With modern LED technology ASSA ABLOY Dock-IN has a low energy consumption and a long life.

Technical Data

Nominal length ¹	2000, 2450, 3000 mm
Nominal width AD	3300, 3500, 3600, 3750 mm
Leveler width	2000, 2200 mm
Load capacity	60 kN (6 tonnes)
Vertical working range	
Rise above dock	up to 520 mm
Fall below dock	down to 470 mm
Platform tear-plate thickness	8/10 mm
Max. point load leveler platform	6,5 N / mm ² (8 mm tear plate)
Lip type and length	Telescopic, 500/1000 mm ergonomic lip, 345 mm
Lip material	steel or aluminium
Control unit protection class	IP 54
Temp. range hydraulic oil	-20°C - +60°C
European standard	EN 1398 Dock levelers
1) Other sizes on request	

Dimensions

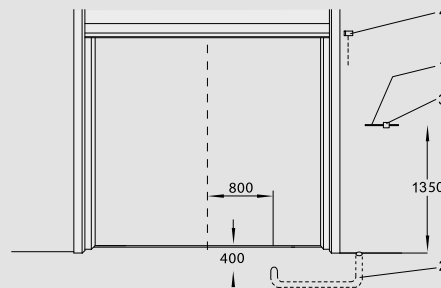


Dimensions		Vertical working range					
		60 kN					
		LE 500		LE 1000		LE 345	
NL	LH	A	B	A	B	A	B
2000	600	310	310	380	370	270	280
	700	340	400	420	470	310	360
2450	600	390	250	470	290	360	225
	700	430	370	520	420	400	340
3000	600	370	230	430	250	350	210
	800	450	400	520	450	420	360

Nominal width NW 2000, 2200
Nominal width NW (AD) 3300, 3500, 3600, 3750

NL	Nominal length
OL	Overall length
GL	Gradient length
NW	Nominal width
LE	Leveler extension
LH	Leveler height
A	Working range above dock level
B	Working range below dock level
DH	Dock height
DW	Door width
NW (AD)	Nominal width Autodock (incl. side tread panels)
L	Distance between plinths
OW (AD)	Overall width Autodock = NW (AD) - 20

Electrical preparations



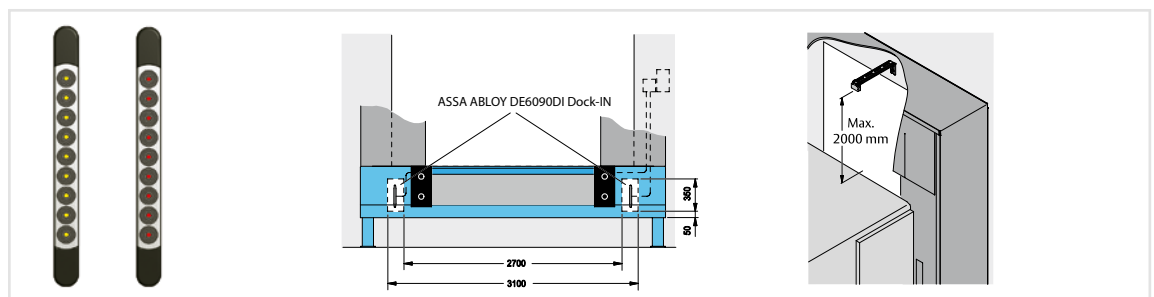
1	Conduit for wiring internal diameter 70, angles <math><45^\circ</math> (by others)
2	Mains supply: 3 / N / PE AC 50 Hz 230 / 400V Mains fuse: D0 10 A gL Motor power: 1,5 kW
3	Mains isolator*: Only for control box with emergency stop
4	Optional safety switch on sectional door to disable leveler when door is closed*

*Non standard

Operating functions for Tele lip levelers



ASSA ABLOY DE6090DI Dock-IN



Standard available colours

