

Product datasheet

Dock shelter

ASSA ABLOY DS6060F

ASSA ABLOY
Entrance Systems

Experience a safer
and more open world



Copyright and Disclaimer Notice

Although the contents of this publication have been compiled with the greatest possible care, ASSA ABLOY Entrance Systems cannot accept liability for any damage that might arise from errors or omissions in this publication. We also reserve the right to make appropriate technical modifications/replacements without prior notice.

No rights can be derived from the contents of this document.

Color guides: Color differences may occur due to different printing and publication methods.

No part of this publication may be copied or published by means of scanning, printing, photocopying, microfilm or any other process whatsoever without prior permission in writing by ASSA ABLOY Entrance Systems.

Copyright © ASSA ABLOY Entrance Systems AB 2006-2019.

All rights reserved.

ASSA ABLOY, Besam, Crawford, Albany and Megadoor as words and logo are trademarks belonging to the ASSA ABLOY Group.

Technical facts

Features

Sizes – nominal height	3200, 3400, 3600, 3800, 4000, 4200, 4400, 4600 mm
Sizes – nominal width	3250, 3450 mm
Sizes – top curtain	1000, 1200, 1500 mm
Sizes – side curtain	600, 700 mm
Curtain colour	Black
Parking guides	White
Wall fixings	concrete, for anchor rail

Performance

Top and side curtain material:	double layer high quality polyester coating on both sides
Front and rear frame	extruded aluminium profiles

Top and side curtains

Double layer high quality polyester:	
Thickness:	3.0 mm
Coating:	Front and back
Weight:	Approx. 3400g/m ²
Flammability:	DIN 75200
Tensile strength:	DIN 53354 Longitudal: 7000N/5cm Transverse: 5000N/5cm
Tear elongation:	DIN 53363 Longitudal: 750 N Transverse: 900 N

Contents

Copyright and Disclaimer Notice	2
Technical facts	3
Contents	4
1. Description	5
1.1 Application	5
1.2 Mode of operation	5
1.3 Overview	5
1.4 Standard	5
1.5 Options	5
1.6 Description of available options	6
2. Specifications	7
2.1 Dimensions	7
3. Construction	8
4. Building and space requirements	9
4.1 Fixing points	9
5. Service you can rely on	10
Index	11

1. Description

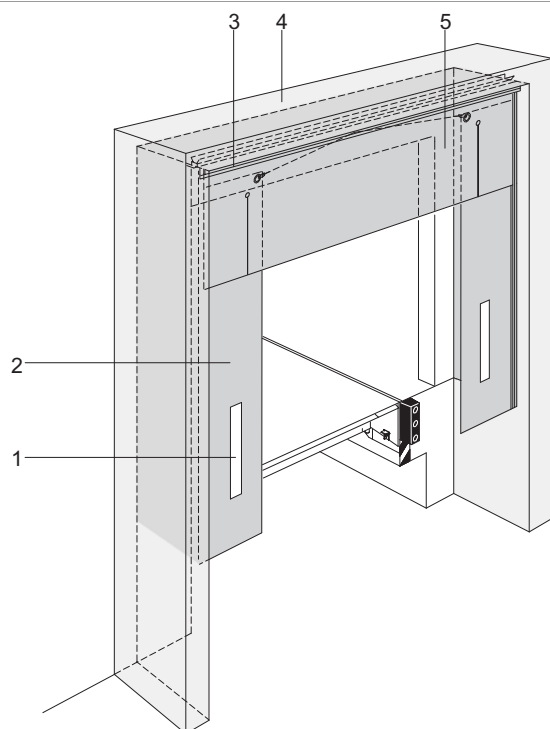
1.1 Application

The ASSA ABLOY DS6060F curtain dock shelter fix is the standard solution for energy saving oriented operators. The curtain material has a very high wear and tear resistance. The ASSA ABLOY curtain dock shelter programme comprises a number of models, meeting all customer demands and suitable for a wide range of vehicle sizes.

1.2 Mode of operation

The vehicle reverses into the dock shelter which seals it off with flexible side and top curtains, giving weather protection during the loading and unloading process. The result is an improved working environment and goods protection.

1.3 Overview



- 1) White parking guides
- 2) Side curtains
- 3) Extruded aluminium section
- 4) Extension
- 5) Split top curtain

1.4 Standard

Nominal height	3200, 3400, 3600, 3800, 4000, 4200, 4400, 4600 mm
Nominal width	3250, 3450 mm
Side curtain	600, 700 mm
Top curtain	1000 mm
Curtain color and material	Black PVC fabric
Parking guides	white

1.5 Options

Top curtain	1000 mm splitted 1200 mm standard 1200 mm splitted 1500 mm standard 1500 mm splitted digit on top curtain
Side curtain	reinforced rubber flaps placed left and right in lower corners behind the front curtain. notching on both sides
Parking guides	yellow
Wall fixings	concrete, anchor rail
Corner seals	triangle or round cushions in lower corners of the dock shelter.

1.6 Description of available options

Standard options for improved working conditions and less draught into the building.

A Splitted top curtain

4 slits with double overlapping layer of PVC curtain material in the main wear area.

- Flexible coverage of rear top corners of docked vehicle for best sealing
Less draught into the building

B Digit on top curtain

300 mm high letters or numbers printed in the middle of the top curtain.
Individual customised marking of loading bays

C Reinforced rubber flaps

Robust rubber flap placed left and right in lower corners behind the front curtain

- Increased pressure on the docked vehicle body for best sealing
- Improved stability for the complete dock shelter in windy area
Less draught into the building

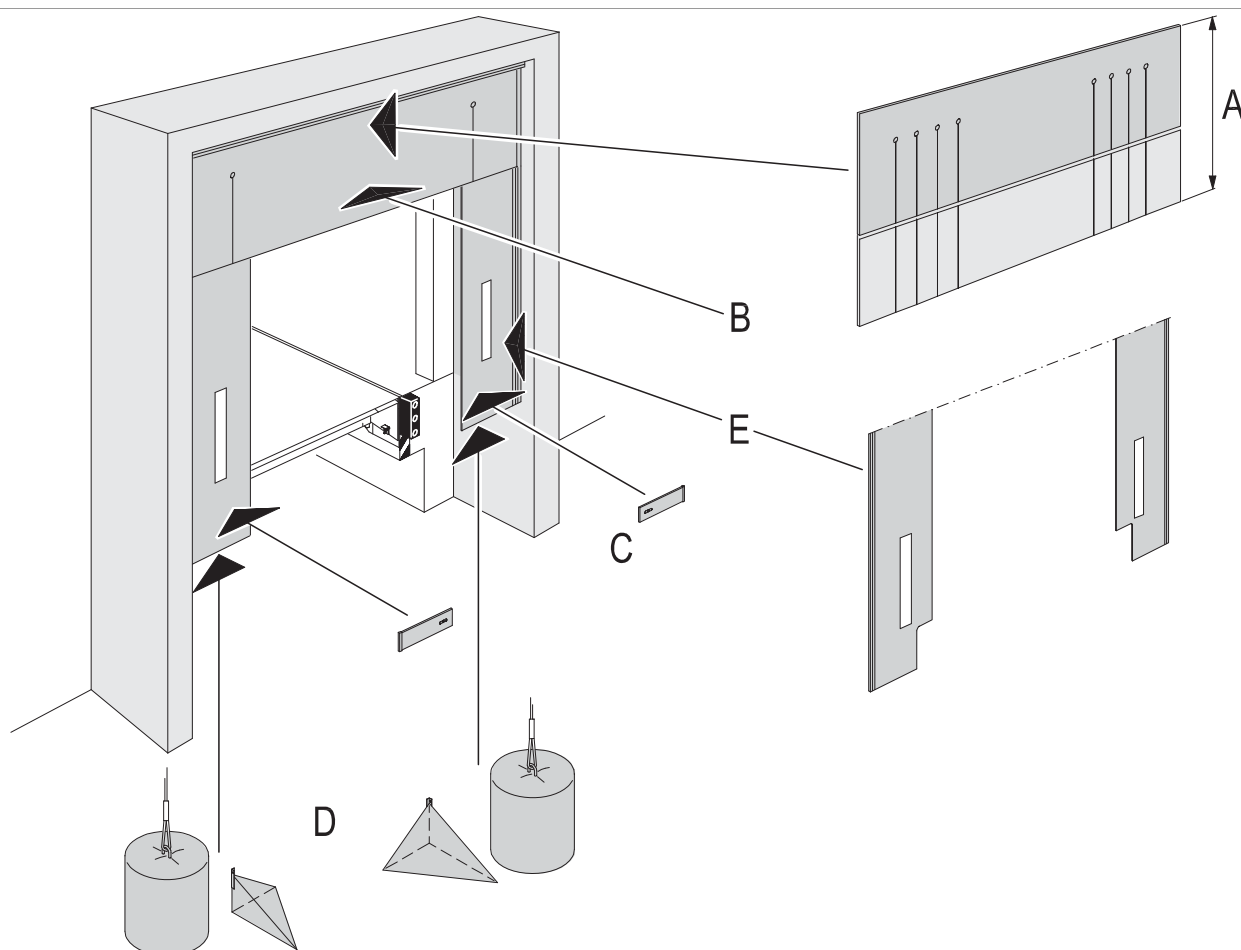
D Corner seals

Triangle or round cushions covered with PVC curtain material in lower corners of the dock shelter.
Minimization of draught from below during loading and unloading

E Notching

From factory a square of the lower corner front curtain is cut out.

- Avoid damaged front curtains due to the collision between vehicle and buffer.
Recommended in combination with min. 140 mm deep buffers, like RB, EBH, EBF or steel spring buffer.



2. Specifications

2.1 Dimensions

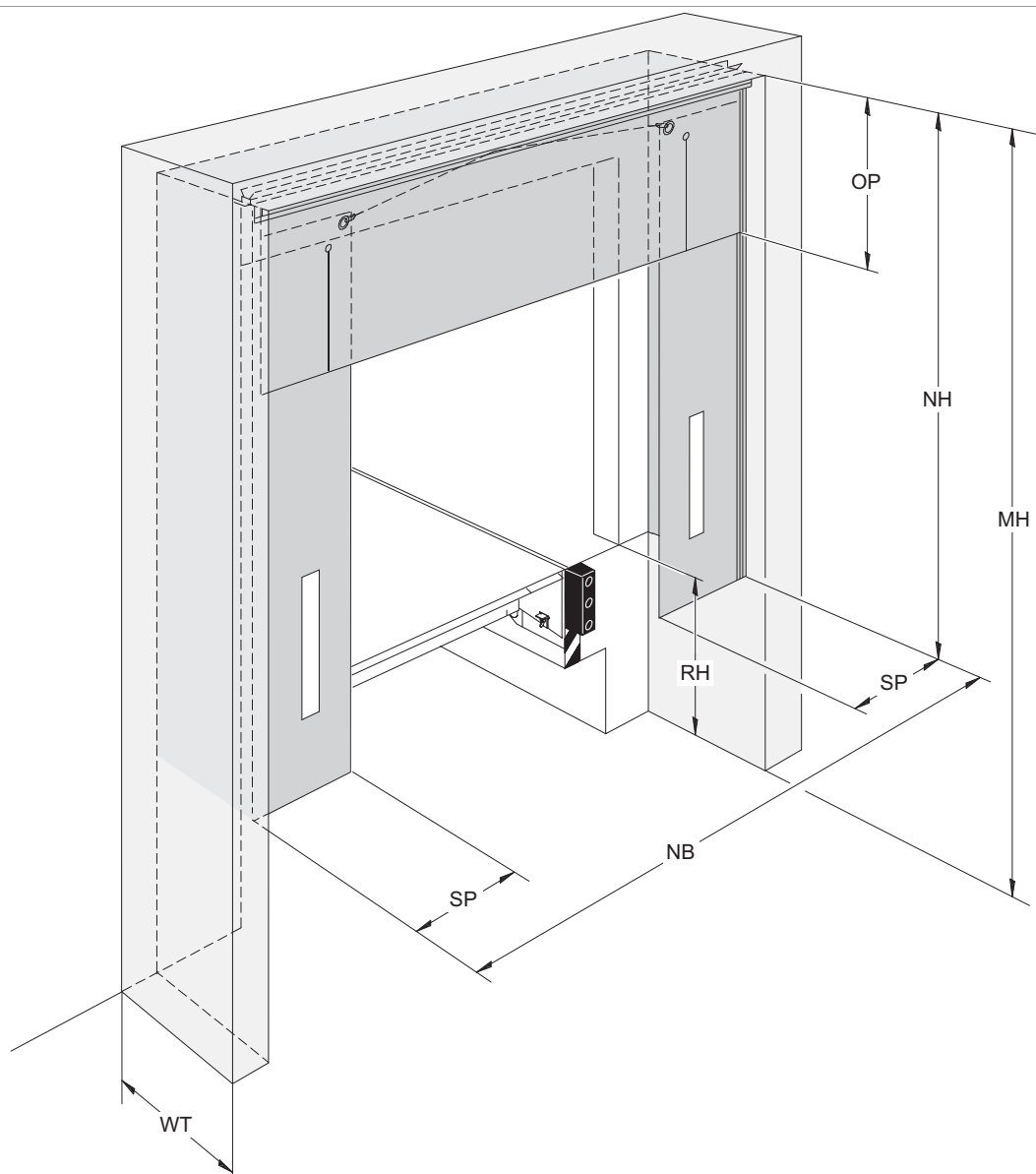
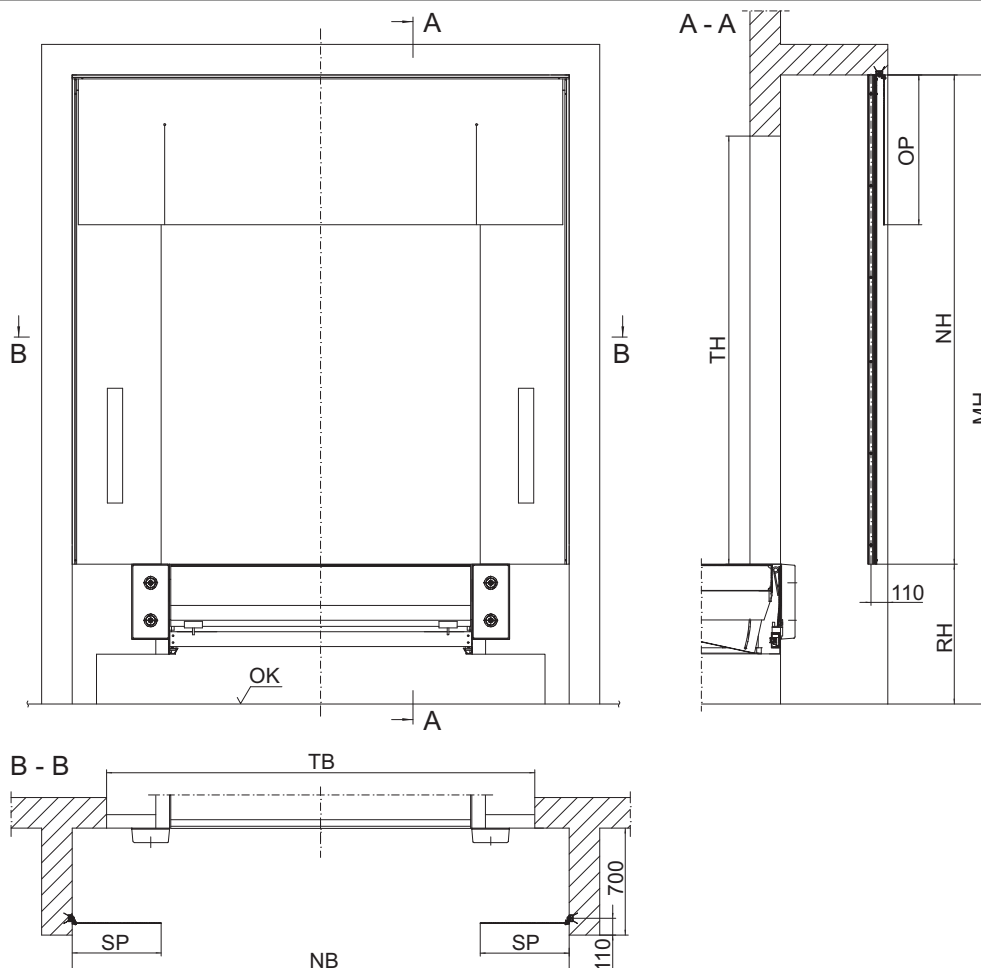


Abb.	Dimension	Value (mm)
NW	Nominal width	3250, 3450 mm
NH	Nominal height	3200, 3400, 3600, 3800, 4000, 4200, 4400, 4600 mm
OP	Length of top curtain	1000, 1200, 1500 mm
SP	Width of side curtain	600, 700 mm
WT	Depth of extension	700
RH	Ramp height	

3. Construction

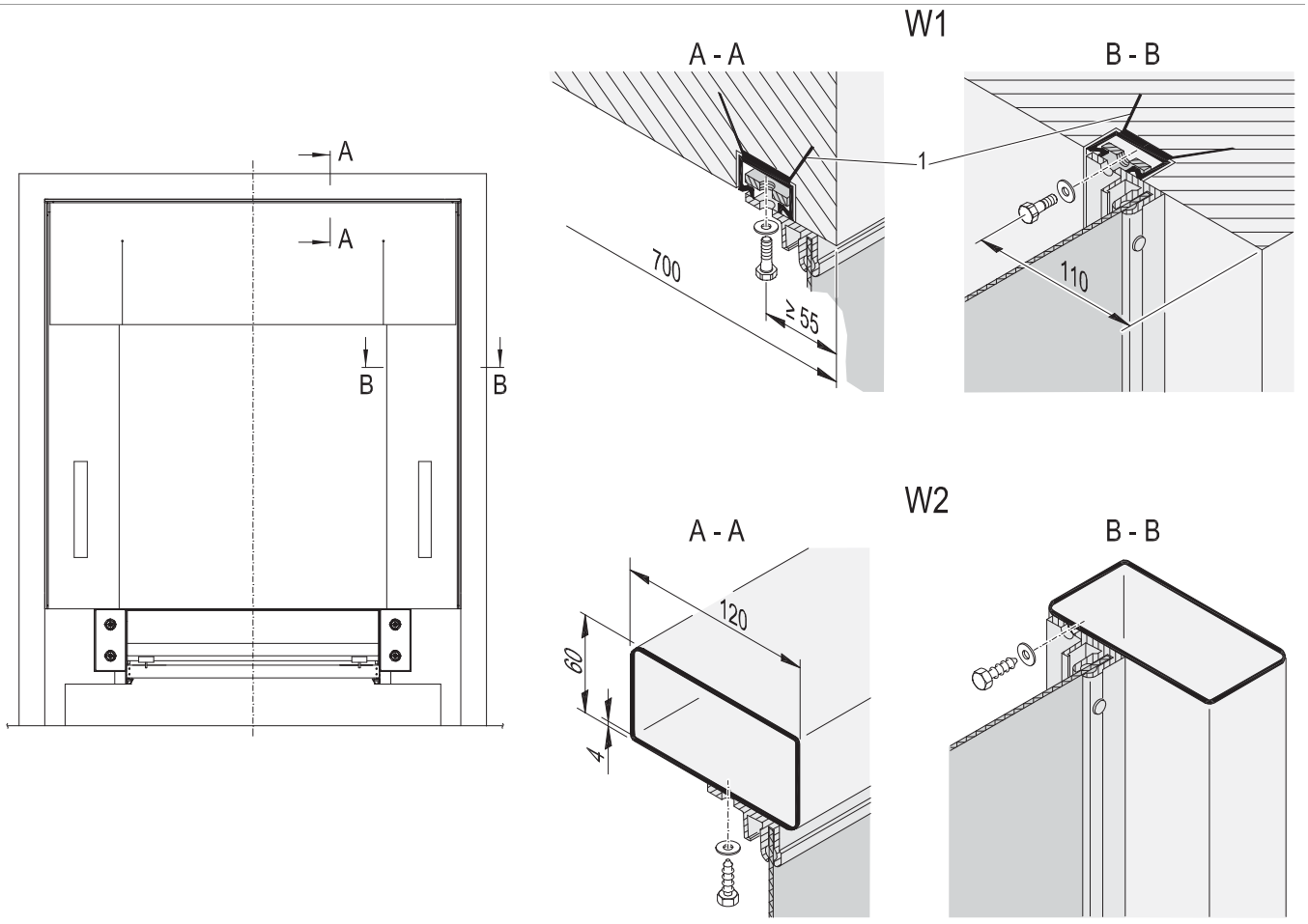
The ASSA ABLOY DS6060F curtain dock shelter fix comprises three extruded aluminium sections which are fitted into the sides and the top of an extension (by others) round the door. The easily replaced side and top curtains made from PVC with a double woven interlay are inserted into the grooves in the aluminium sections. The dock shelter supply includes all the necessary fixings and sealant.



OK	Yard level
DH	Door height
OP	Top curtain
NH	Nominal height
MH	Installation height
RH	Dock height
DW	Door width
SP	Side curtain
NW	Nominal width

4. Building and space requirements

4.1 Fixing points



- W1 Concrete wall
- W2 Fixing to steel
- 1 Fixing profile a40/22 supplied and cast-in by others

5. Service you can rely on



Gold

The ultimate protection

With full coverage, Gold Service enables you to plan and budget your expenses annually.

- Spare parts for emergency calls
- Labor and travel costs for emergency calls
- Replacement of components according to preventive maintenance schedule and to fulfill legislative and safety requirements

Silver

Added advantages

With cover for all service calls during business hours, Silver Service offers you peace of mind.

- Labor and travel costs for emergency calls
- Preventive maintenance

Bronze

Scheduled Service

With scheduled on site visits, Bronze Service means you know that your doors and docking systems will be regularly serviced and inspected.

- Preventive maintenance

Included in all packages

1-4 scheduled maintenance visits per year

24/7 priority service hotline and fast response

Safety, compliance and quality control checks

Documentation reports provided on site

Expert service you can rely on

A healthy business enjoys a steady flow of goods, services and people through its entrances every day. But heavy traffic puts entrances under pressure as every component works to keep them running.

ASSA ABLOY Entrance Systems offer the industry's most complete, flexible service solutions. Because even something as robust and well-engineered as an ASSA ABLOY door or docking system needs to be serviced to stay in great working order.

Pro-active care packages

An ASSA ABLOY service agreement gives you service you can rely on. We have specialized local service technicians on call to take care of your service needs. Equipped with a wide range of spare parts and expertise, to keep your industrial doors and docking systems running.

With an ASSA ABLOY service agreement you can ensure reliable, safe and sustainable operations at every entrance under your agreement, including doors and docking systems, independent of brand.

ASSA ABLOY e-maintenance™ (optional add-on)

For an online overview of your entrance systems and history, add ASSA ABLOY e-maintenance™ to your service package for:

- Easy access to real-time data on all your doors
- Planning, order and service information
- Overview that helps you control lifecycle costs

Index

A

Application5

B

Building and space requirements9

C

Construction8

Copyright and Disclaimer Notice2

D

Description5

Description of available options6

Dimensions7

F

Features3

Fixing points9

M

Mode of operation5

O

Options5

Overview5

P

Performance3

S

Service you can rely on 10

Specifications7

Standard5

T

Technical facts3

Top and side curtains3

The ASSA ABLOY Group is the global leader in access solutions. Every day, we help billions of people to experience a more open world.

ASSA ABLOY
Entrance Systems

ASSA ABLOY Entrance Systems provides solutions for efficient and safe flow of goods and people. Our offering includes a wide range of automated pedestrian, industrial and residential doors, loading dock equipment and services.

assaabloyentrance.com

2019-11



ASSA ABLOY Entrance Systems

assaabloyentrance.com