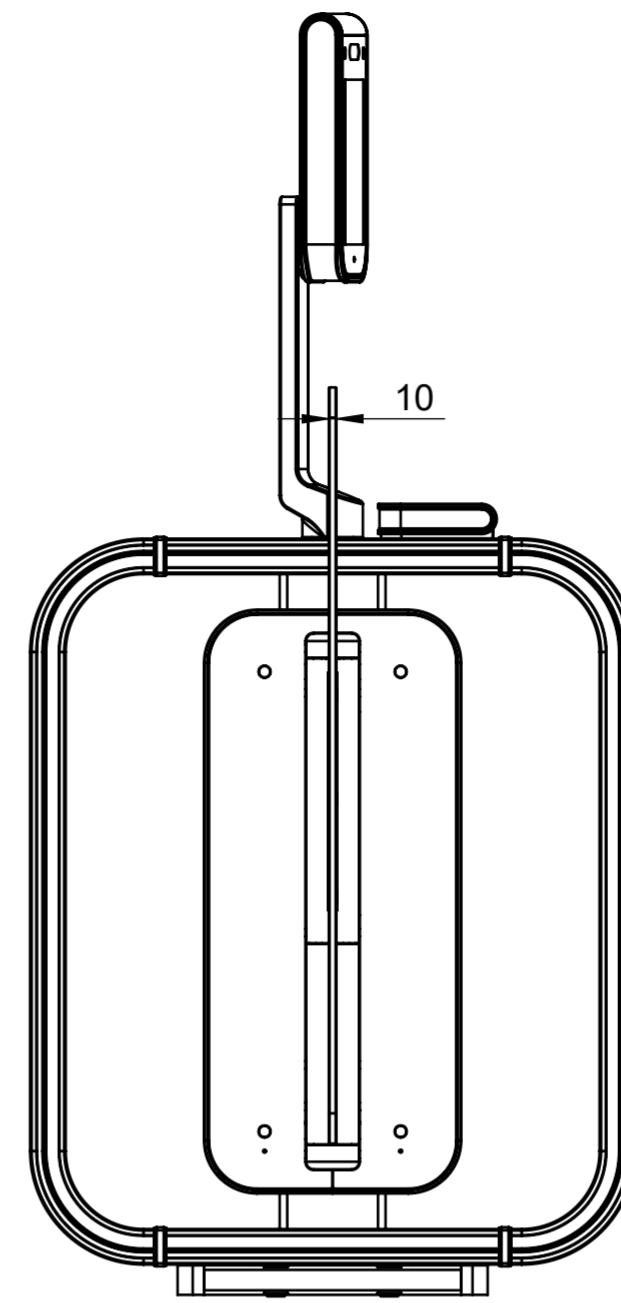
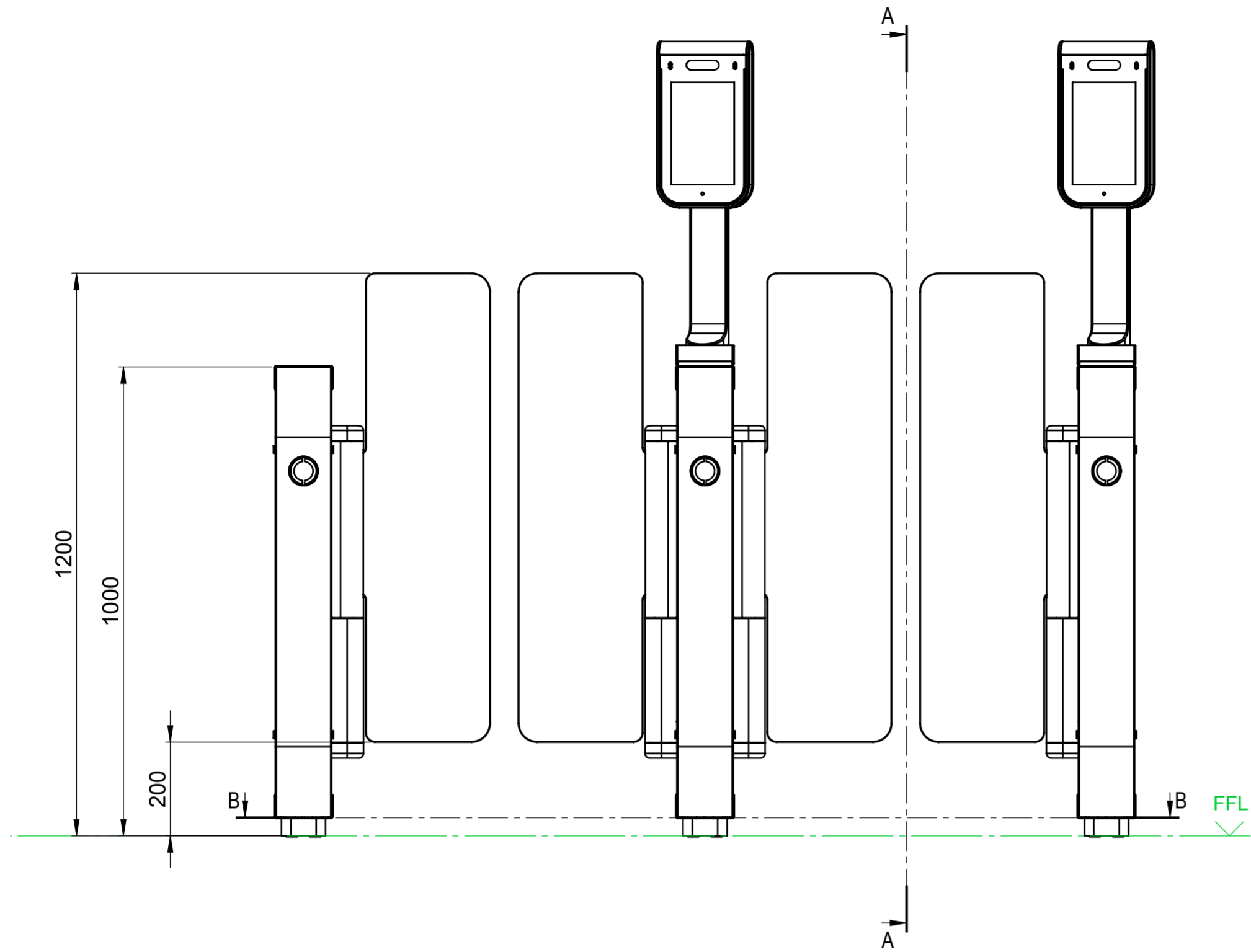
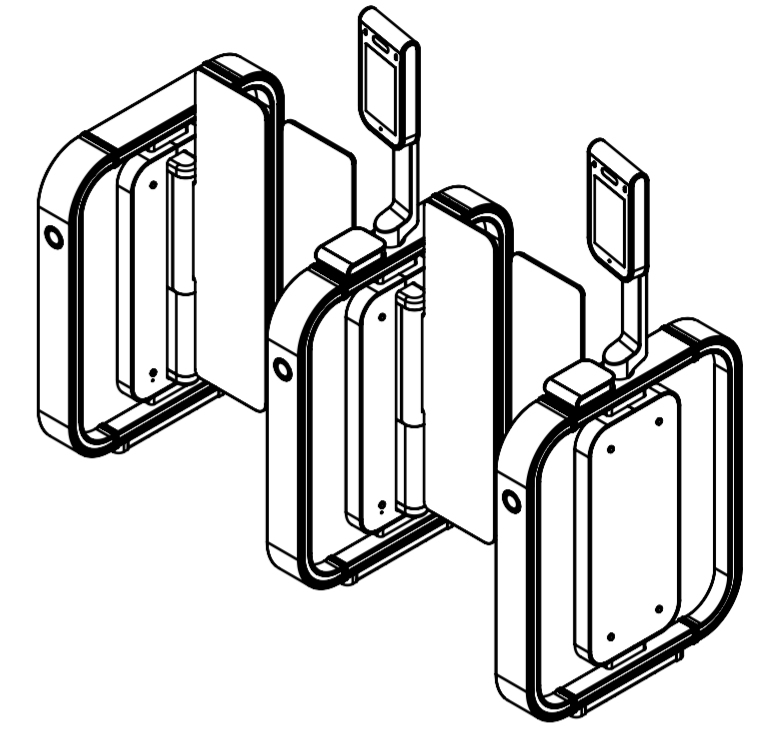


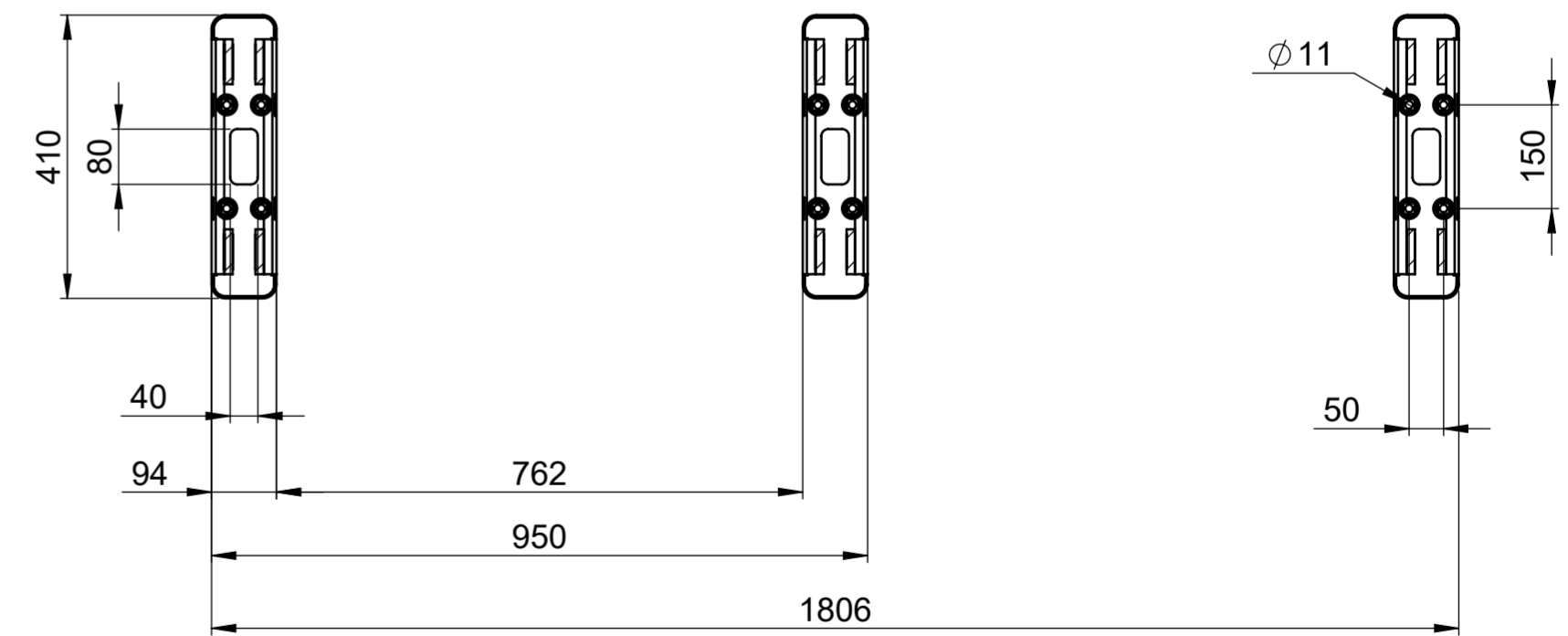
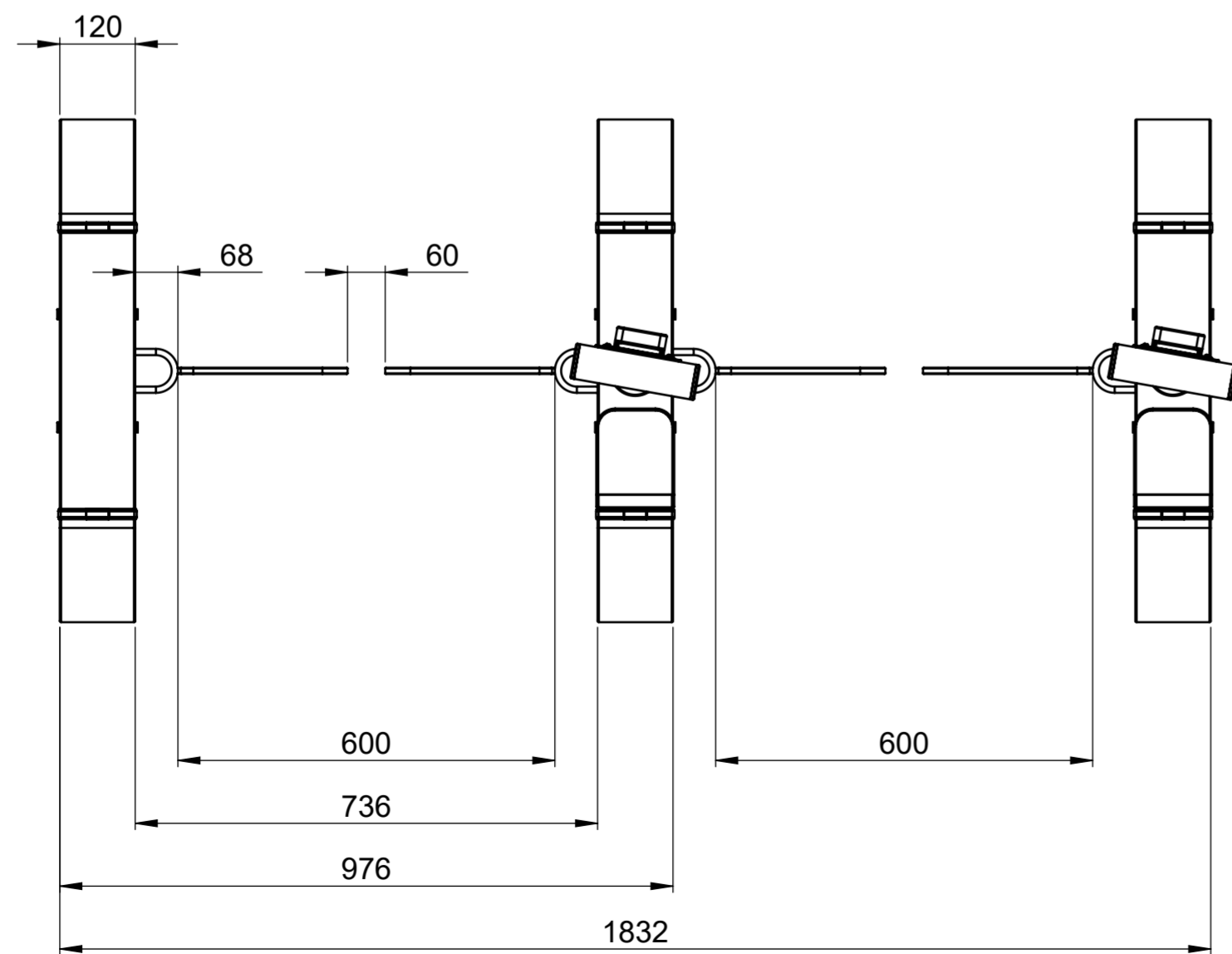
No.	Change	CM-No.	Done	Date
A				



SECTION A-A



(1 : 20)



SECTION B-B
MEASUREMENTS OF GROUND ADAPTERS + FIXING POINTS

Surface treatment		Material		Remark	
		-			
General tolerance		Proj. method	Scale	Drawn	Date
ISO 2768			1:10		
-					
ASSA ABLOY			Status		Rev.
			Draft		Size
			A		Sheet
			1 (1)		Drawing No.
			1024452-DOUBLE LANE-SBG		