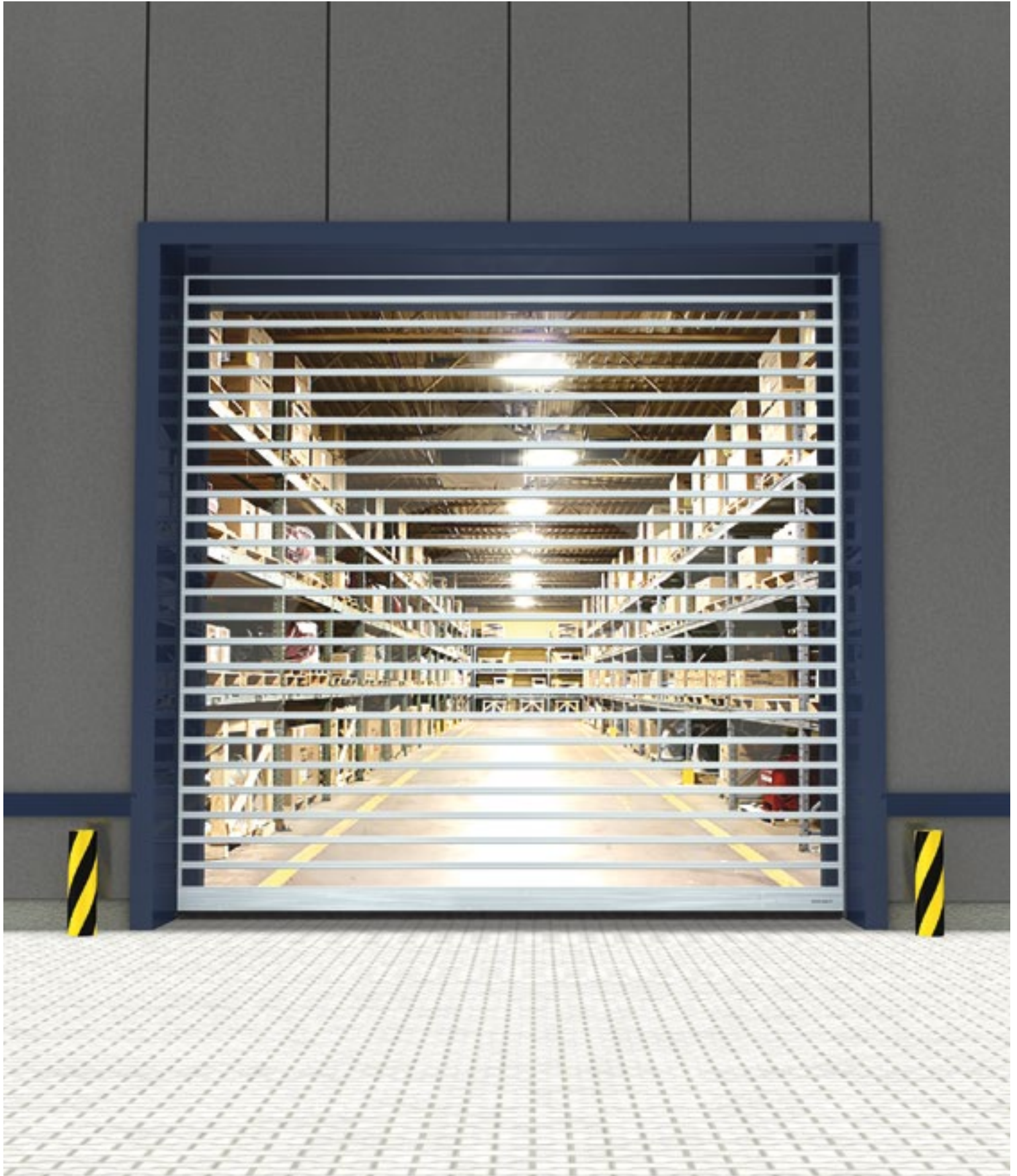


# High-Performance Door

## ASSA ABLOY RR3000 Series

**ASSA ABLOY**  
Entrance Systems

The global leader in  
door opening solutions



# ASSA ABLOY RR3000 Series

ASSA ABLOY RR3000 series combine the greatest functionality with modern design. Their outstanding engineering makes the doors extremely fast, safe, robust and guarantees an extremely long service life with low maintenance needs. The stylish modern design, achieved by using flat aluminium slats and large windows, ensures an attractive appearance and perfect integration into building facades.



## VARIETY OF MODELS

Apart from the illustrated standard version of the ASSA ABLOY RR3000 there are several versions available: The RR3000 R for confined assembly spaces, the RR3000 XXL for large openings, the RR3000 Vision for a high level of transparency. Please apply to the separate data sheet for details regarding our modern hybrid door RR3000 ISO with a high degree of insulation.

## DOOR MATERIAL

The side frames are manufactured from galvanised steel and can optionally be powder-coated in a wide variety of RAL colours.

## DOOR CURTAIN

The following designs are available:

- Double-walled aluminium slats, anodized without windows, optional with window slats made of impact resistant Polycarbonate (PC)
- Clear Polycarbonate (PC) window slats, transparency > 70%
- Perforated slats

The aluminium slats can be coated in a wide variety of RAL colours, custom colours are also possible.

## ACTUATORS

Modifications to individual required functions can be implemented with additional safety devices such as infrared or radar motion detectors and a wide variety of industrial actuators (switches, induction loops, radio transmitters etc.). We are happy to advise you and put together a tailor-made configuration for you.

## BOTTOM PROFILE

A profile with a lengthened flexible seal, which may optionally be extended, is used to seal the door against the floor.

## MATCHING PEDESTRIAN DOOR

If desired, a pedestrian door of identical appearance can be supplied as an option.



## RAPID SERVICING AND MAINTENANCE

The entire door structure has been developed with minimum service and maintenance effort in mind. For example, thanks to their individual fastening at the rubber belt, each slat can be replaced individually, rapidly and easily.



## INSULATION

For an optimum of thermal insulation with a minimum of heat loss we have added our modern hybrid door ASSA ABLOY RR3000 ISO to our range. All details can be found on our separate data sheet.

### CONTACTLESS WINDING

The innovative DiscDrive technology used in the ASSA ABLOY RR3000 supports the door curtain movement thereby ensuring a long service life. The aluminium slats are wound onto winding discs without contact. Using this technology, the door can be opened and closed very quickly and with very low wear.



### MOTOR AND TOP ROLL COVER

Motor and top roll covers of anodised aluminium are available as an option. Inspection covers to the side can be opened for servicing work.



### MOTOR POSITION

The gear motor can be positioned on the right or on the left side of the door. The drive is integrated into the side frame in the ASSA ABLOY RR3000 R.

### CONTROL SYSTEM

The ASSA ABLOY RR3000 is equipped as standard with the MCC frequency converter control, which permits high opening and closing speeds, and also a gentle, quiet, and hence low-wear motion sequence.

The compact control unit is integrated in the door's design and mounted beside the drive. The hardware and software can be customised to meet customer-specific requirements and expanded by additional functions as needed.



### CONTROL UNIT

The user-friendly graphical control unit with a display gives the user information about the current status of the door and all of the important technical parameters by means of plain text at any time. In addition, the system stores all operating and service data and shows for example, when a new service date is pending.



### MANUAL ACTIVATION

In the event of a power failure the door can be opened manually with the use of a brake release handle. The door is partially opened automatically by a spring system in the side frames.



### SAFETY FEATURES

Most ASSA ABLOY RR3000 are equipped as standard with a contactless, pre-running photocell on the leading closing edge and a stationary photocell which prevent the door from closing as long as persons or objects are in the closing plane.



### WIND LOADS

Depending on the model and door size, the ASSA ABLOY RR3000 meets the requirements of classes 2, 3 or 4 as specified in EN 12424.







## The basic model ASSA ABLOY RR3000

- The exterior door for busy doorways
- High opening speed (max. 2,2 m/s)
- High wind class 3/4 in accordance with EN 12424
- Dimensions up to 5 x 5 m
- Double-walled aluminium slat curtain, optionally with windows or perforated slats for ventilation
- Good noise insulation
- Optionally also available as a laser protection door



## The transparent one ASSA ABLOY RR3000 Vision

Basic model

- + Maximum transparency and translucency > 70%
- + Large, crystal-clear Polycarbonate PC panes, set in anodized aluminium profiles
- + Ideal for use in showrooms



## The space-saver ASSA ABLOY RR3000 R

Basic model

- + Minimum lintel space
- + Motor built into the side frame
- + Slender side frames for doors  $\leq 3,8$  m wide
- + Curtain variants with perforated slats
- + Ideal for use in underground garages



## The big one ASSA ABLOY RR3000 XXL

Basic model

- + Can be supplied in sizes up to 8 m wide and 6 m high
- + Ideal for use in industrial buildings of large vehicles traffic



## Our energy efficient hybrid High-performance door ASSA ABLOY RR3000 ISO

The ASSA ABLOY RR3000 is part of the 3000 range. The lamellas wind up contactless ensuring a quiet and a low wear door run.

The standard curtain of the ASSA ABLOY RR3000 ISO is made of high insulating thermally separated sandwich lamellas with a 50 mm thick foam core and silver coloured metal sheet covers (RAL 9006).

Please refer to our separate data sheet for further details regarding this product.



# High-Performance Door ASSA ABLOY RR3000 Series

TECHNICAL DATA	ASSA ABLOY RR3000	ASSA ABLOY RR3000 Vision	ASSA ABLOY RR3000 R
Application	Exterior door / Interior door / Machine Protection Door	Exterior door / Interior door	Exterior door / Interior door / Machine Protection Door
Door dimensions (mm) (DW min./max.) (DH min./max.)	600 / 5000 3125 / 5000	600 / 5000 2500 / 5000	600 / 6000 1500 / 3000
max. area	25 m <sup>2</sup>	25 m <sup>2</sup>	18 m <sup>2</sup>
Open/Close max. (m/s) <sup>2)</sup>	2,2 / 0,7	1,8 / 0,7	2,0 / 0,6
Wind resistance (EN 12424)	Class 4 Cl. 3 DW > 3500 mm	Class 4 Cl. 3 DW > 3500 mm	Class 4 Cl. 3 DW > 4000 mm
Leakage (EN 12426)	Class 2	–	Class 2
Watertightness (EN 12425)	Class 1	–	Class 1
K-value W/m <sup>2</sup> K curtain/door according EN 12428	–	–	–
Noise emission (ISO 140-3)	25dB (23 without MiWo)	–	–
Required space above (with cover) / side frame	750–800 / 325 and 325	750–800 / 325 and 325	480–520 / 350 and 170
Height grid	125 mm	125 mm	125 mm
Temperature range max. (Extended on request) <sup>3)</sup>	–20°C – +40°C	–20°C – +40°C	–20°C – +40°C
<b>Surface / Material</b>			
Side frame	✓ Galvanized steel • Powder coated steel	✓ Galvanized steel • Powder coated steel	✓ Galvanized steel • Powder coated steel
Top roll cover <sup>1)</sup>	• Anodized aluminum • Powder coated	• Anodized aluminum • Powder coated	• Anodized aluminum • Powder coated
Motor cover <sup>1)2)</sup>	• Aluminium • Powder coated	• Aluminium • Powder coated	• Aluminium • Powder coated
Lamellas	• Powder coated	• Powder coated	• Powder coated
Bottom profile <sup>2)</sup>	Standard lamellas + rubber seal	Anodized aluminum + rubber seal	Standard or reinforced lamella + rubber seal
Bottom profile with extended flexible seal	• 50 mm	• 50 mm	• 50 mm
<b>Safety features</b>			
Electrical safety contact edge <sup>2)</sup>	•	–	•
Door line photocell in side frame	✓	✓	✓
Integrated light grid <sup>2)</sup>	–	–	–
Pre-running photocell <sup>2)</sup> (only in combination with MCC, Door line photocell as option)	✓	✓	✓
curtain tension <sup>2)</sup>	✓	✓	✓
Curtain monitoring / Crash-detector	–	–	–
Emergency egress (partial)	✓ Brake release lever	✓ Brake release lever	✓ Brake release lever
Counterbalance	Tension spring	Tension spring	Tension spring
<b>Equipment</b>			
LED traffic light	•	•	•
Lintel seal	✓	✓	✓
Traffic light with/without direction detection	•	•	•
Flashing alarm light	•	•	•
Laser protection	•	–	•
Suitable machine protection	•	–	•
Additional opening height	•	•	•
<b>Drive unit</b>			
Motor power	1,1 kW	1,1 kW	1,1 kW
Chain drive (space-saving) <sup>2)</sup>	•	•	–
Crank handle	•	•	•
<b>Control system<sup>2)</sup></b>			
Separate display / control	✓	✓	✓
Potential-free contacts	•	•	•
UL-Version	•	•	•
Fuse protection by site	10 – 16 A (B-characteristics)	10 – 16 A (B-characteristics)	10 – 16 A (B-characteristics)
Control voltage	24 V DC	24 V DC	24 V DC
Protection	IP 55	IP 55	IP 55
<b>Network connection</b>			
Vonnection	3L(N)PE/380/400/415/440/460/480V;50/60Hz with transformer = 3L(N)PE/220/230/500V;50Hz		
UL-Version	3L(N)PE/208/220/230/240/460/480V;60Hz		
<b>Door curtain</b>			
Double-walled aluminium lamellas	✓ Anodized aluminum	–	✓ Anodized aluminum
Lamellas with window	• Polycarbonate (PC)	✓ Polycarbonate (PC)	• Polycarbonate (PC)
Perforated lamellas	• Anodized aluminum	–	• Anodized aluminum
Thermally-insulated sandwich lamellas	–	–	–

ASSA ABLOY RR3000 XXL	ASSA ABLOY RR3000 ISO
Exterior door / Interior door	Exterior door / Interior door
1250 / 8000 2500 / 6000	1250 / 7000 2500 / 6000
36 m <sup>2</sup>	42 m <sup>2</sup>
1,8 / 0,6	2,2 / 0,7
Class 4 Cl. 3 DW > 4000 mm Cl. 2 DW > 6000 mm	Class 4 Cl. 3 DW > 3500 mm Cl. 2 DW > 5000 mm
Class 2	–
Class 1	–
–	1,4 / 2,2
–	25dB
740–885 / 350 and 350	880–1030 / 350 and 350
125 mm	100 mm
–20°C – +40°C	–20°C – +40°C
<ul style="list-style-type: none"> <li>✓ Galvanized steel</li> <li>• Powder coated steel</li> <li>• Anodized aluminum • Powder coated</li> <li>• Aluminium • Powder coated</li> <li>• Powder coated</li> </ul> Standard or reinforced lamella + rubber seal	<ul style="list-style-type: none"> <li>✓ Galvanized steel</li> <li>• Powder coated steel</li> <li>• Anodized aluminum • Powder coated</li> <li>• Aluminium • Powder coated</li> <li>• Colour painted</li> </ul> Standard lamellas + rubber seal
•	•
✓	• with contact edge
–	✓
✓	–
–	–
–	•
✓ Brake release lever	✓ Brake release lever
Tension spring	Tension spring
•	•
✓	✓
•	•
•	•
–	–
–	–
•	•
1,1 kW	1,1 kW
–	• DH<4800 + DW≤6000
•	•
✓	✓
•	•
•	•
10 – 16 A (B-characteristics)	10 – 16 A (B-characteristics)
24 V DC	24 V DC
IP 55	IP 55
3L/(N)PE/380/400/415/440/460/480V;50/60Hz with transformer = 3L/(N)PE/220/230/500V;50Hz 3L/(N)PE/208/220/230/240/460/480V;60Hz	
✓ Anodized aluminum	–
• Styrene acrylonitrile (SAN)	• Polycarbonate (PC)
–	–
–	✓



### ASSA ABLOY RR3000 ISO

Please refer to our separate data sheet for the technical data of the ASSA ABLOY RR3000 ISO.

### Safety

The door is designed according to the Workplace Directive of the UVV regulations and the harmonized CE Guidelines including the EN 13241-1.

### Notes

The door safety devices are designed for the normal use of power-operated doors in accordance with the harmonized CE Guidelines. In addition to this, difficult environmental conditions may affect the proper use. For more information or to schedule an on-site inspection, please contact an ASSA ABLOY Entrance Systems sales engineer for ASSA ABLOY Products.

- Option
- ✓ Standard
- not possible

<sup>1)</sup> Height < 2 500 mm always with cover

<sup>2)</sup> Deviations possible depending on other properties

<sup>3)</sup> Depending on cycles/minute, door size and installation location





Underground garage



Facade design



Logistics



Logistics



Paint design

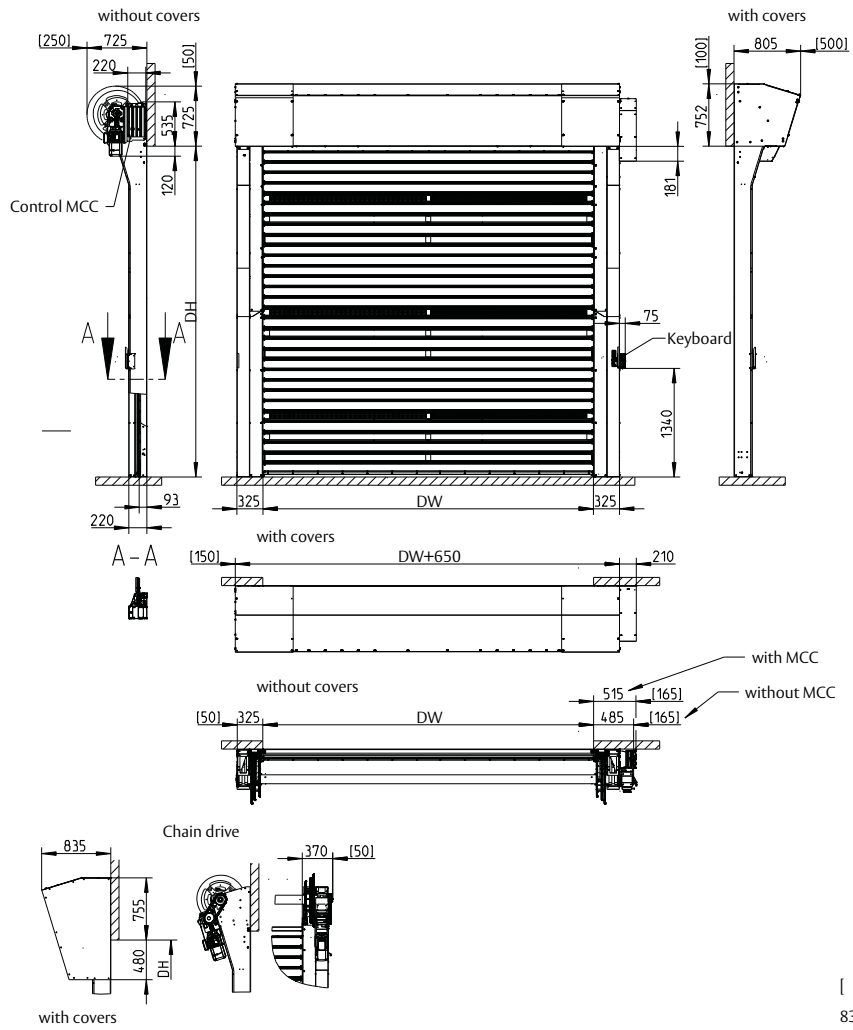


Car dealer test facility

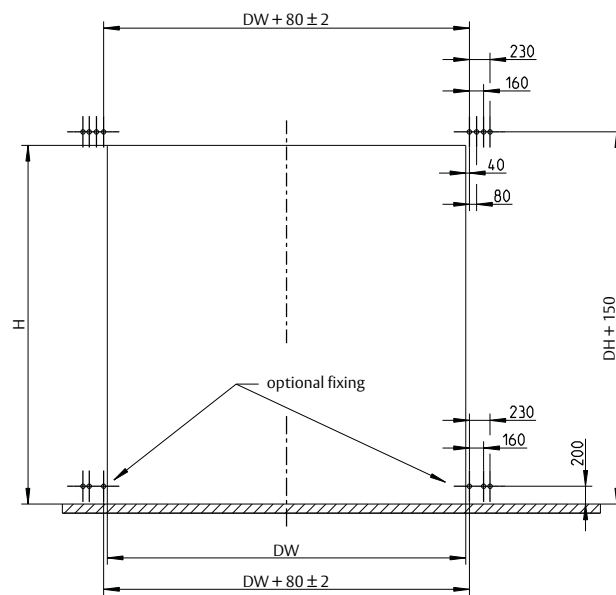


# General drawing / Fixing plan

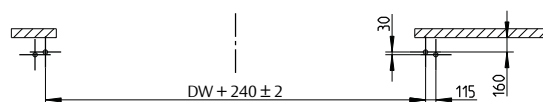
## ASSA ABLOY RR3000 / RR3000 Vision



[ ] = Space needed for installation  
8300R0008/n



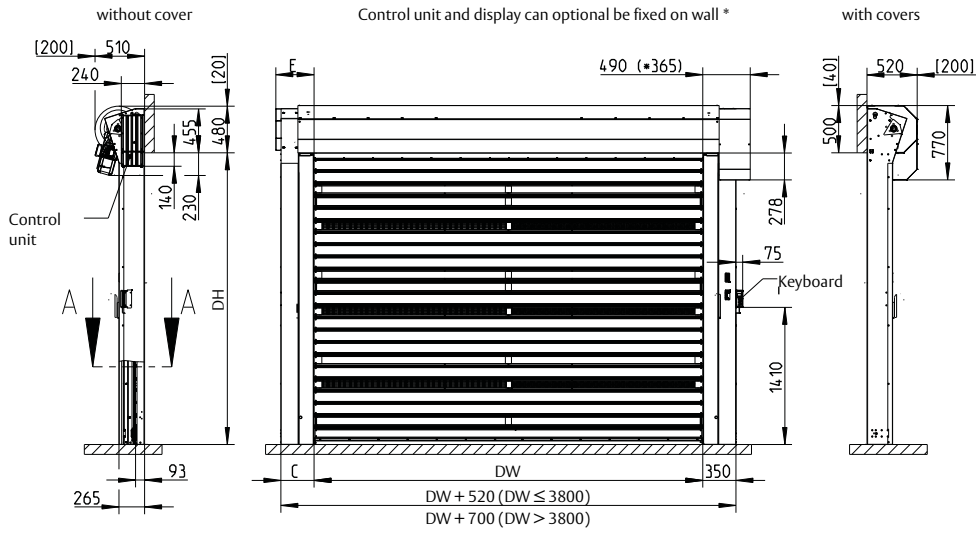
Fixing screws M12 or comparables



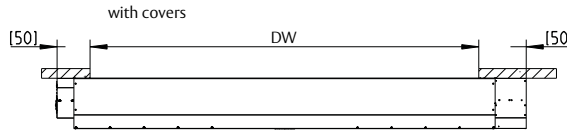
[ ] = Space needed for installation  
8300R0007/f

# General drawing / Fixing plan

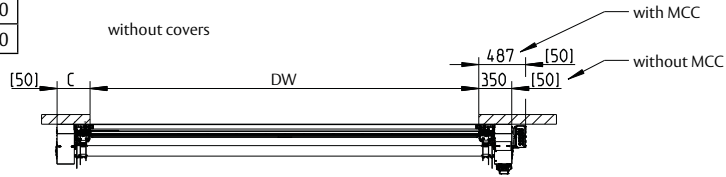
## ASSA ABLOY RR3000 R



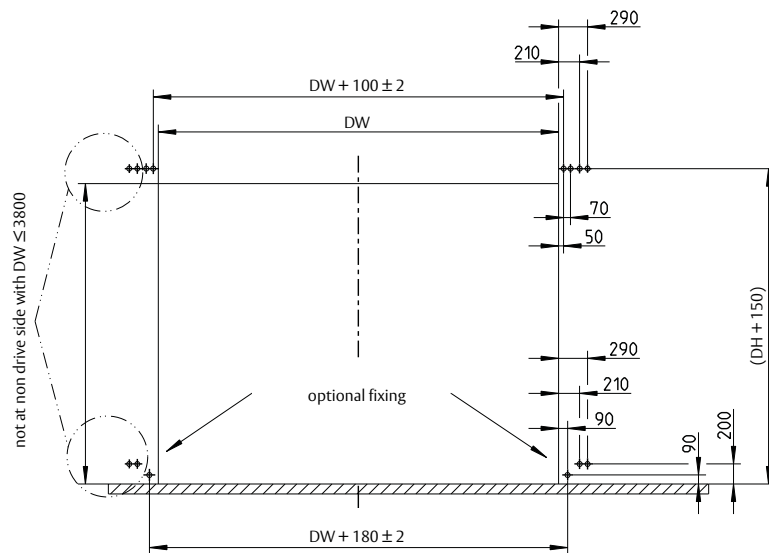
A - A



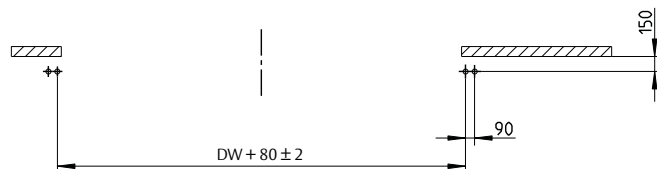
B	C	E
≤ 3800	170	230
> 3800	350	360



[ ] = Space needed for installation  
8300R0018/e



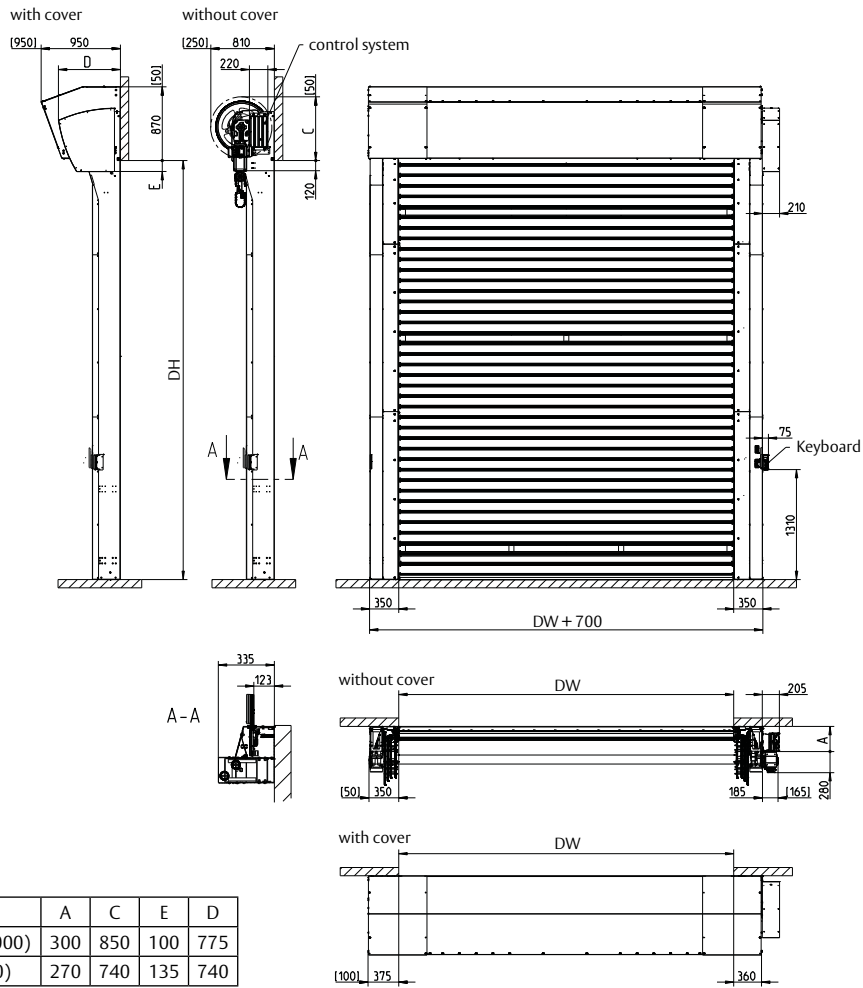
Fixing screws M12 or comparables



[ ] = Space needed for installation  
8300R0019/a

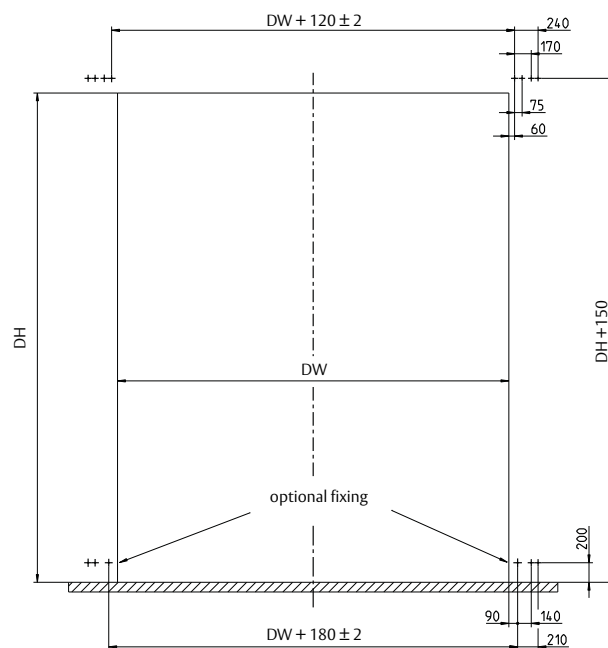
# General drawing / Fixing plan

## ASSA ABLOY RR3000 XXL

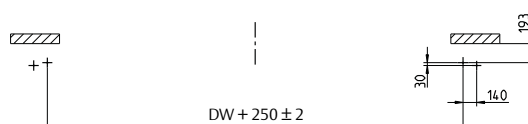


	A	C	E	D
RR3000 XXL (DW > 5000)	300	850	100	775
RR3000 XXL (B ≤ 5000)	270	740	135	740

[ ] = Space needed for installation  
9300R0008/a



Fixing screws M12 or comparables



[ ] = Space needed for installation  
8300R0030/a



ASSA ABLOY Entrance Systems is a leading supplier of entrance automation solutions for the efficient flow of goods and people. Building on the long-term success of the Besam, Crawford, Albany and Megadoor brands, we offer our solutions under the ASSA ABLOY brand. Our products and services are dedicated to satisfying end-user needs for safe, secure, convenient and sustainable operations.  
ASSA ABLOY Entrance Systems is a division of ASSA ABLOY.

**ASSA ABLOY**  
Entrance Systems

[assaabloyentrance.com](http://assaabloyentrance.com)



ASSA ABLOY Entrance Systems

[assaabloyentrance.com](http://assaabloyentrance.com)

Follow us:



Please enter ASSA ABLOY Entrance in the channel's search field.