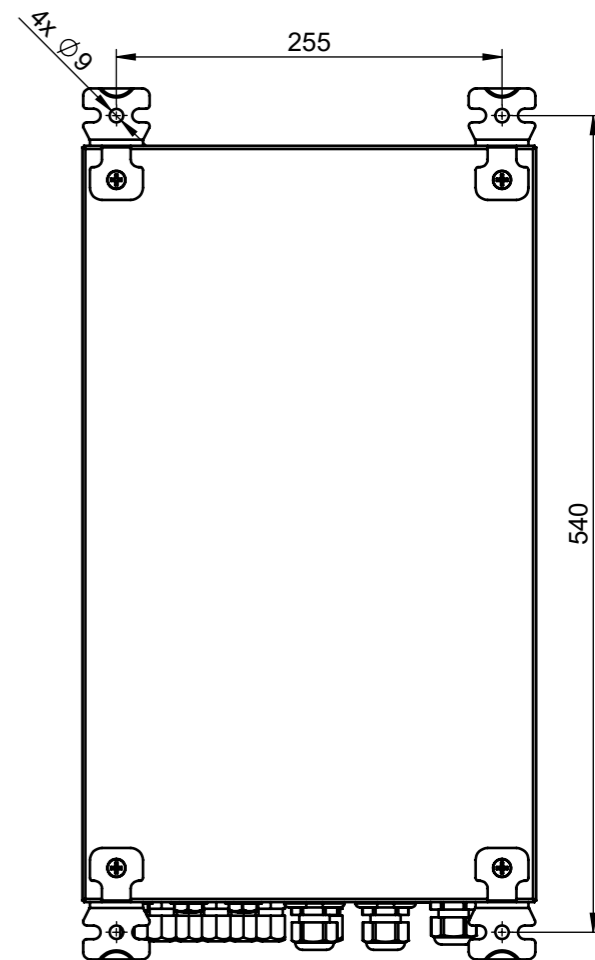
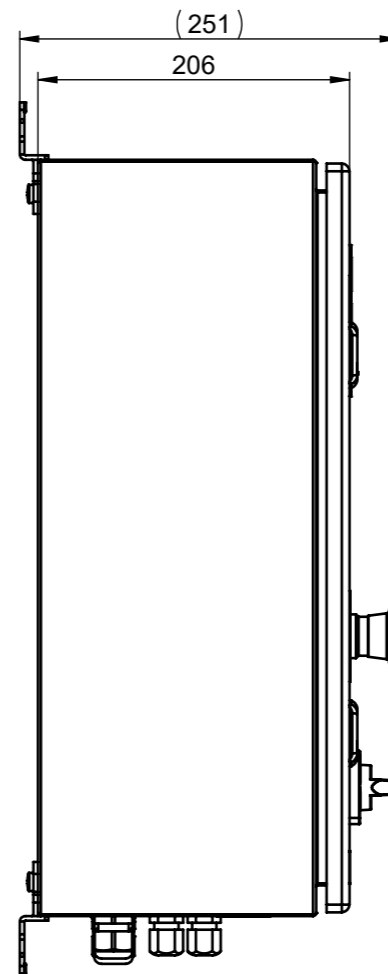
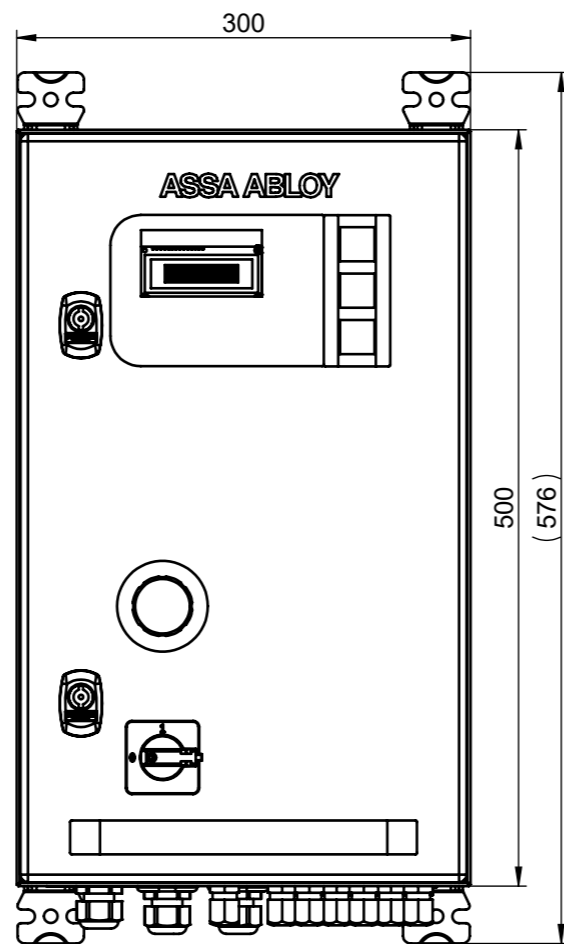
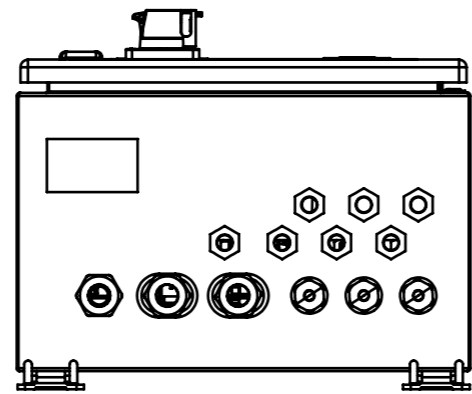
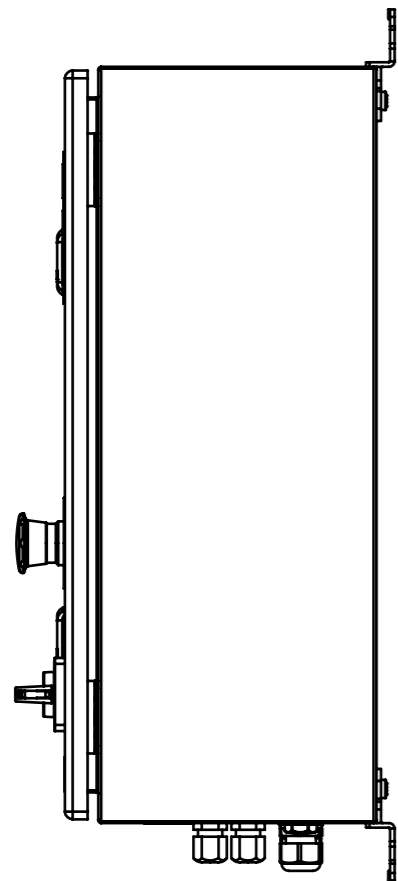
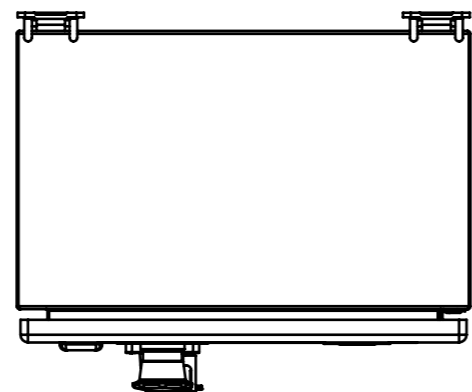


This work is copyright and no part may be reproduced, by any process, nor may any other exclusive right be exercised without the permission of ASSA ABLOY.



No. 1.1 drawn



No	qty	Description	Document ID	Alternate ID	Alternate ID draw	Material Spec.	Note
1.2	1	Control unit DCC 50 inox	D001151891-001	ELECOFALL 422	ELECOFALL 422		
1.1	1	Control unit DCC 55 inox	D001151841-001	ELECOFALL 424	ELECOFALL 424		

Rev.	Ref.-No.	Change	Date	Name
1				

Surface treatment:			Material:			General tolerance: ISO 2768-mH	
Volume: mm <sup>3</sup>	Mass: gram	Surface area: mm <sup>2</sup>	Created (YYYY-MM-DD): 2020-12-22	Designed by: schwatho	Drawn by: schwatho	Scale: 1:5 (A3)	Projection:
<b>ASSA ABLOY</b> ASSA ABLOY Entrance Systems HPDS			Door Control General Drawing, Fixing plan, DCC50/55 - Inox			Alternate ID <b>9300R0031</b>	
						Document ID <b>D001152367-001</b>	