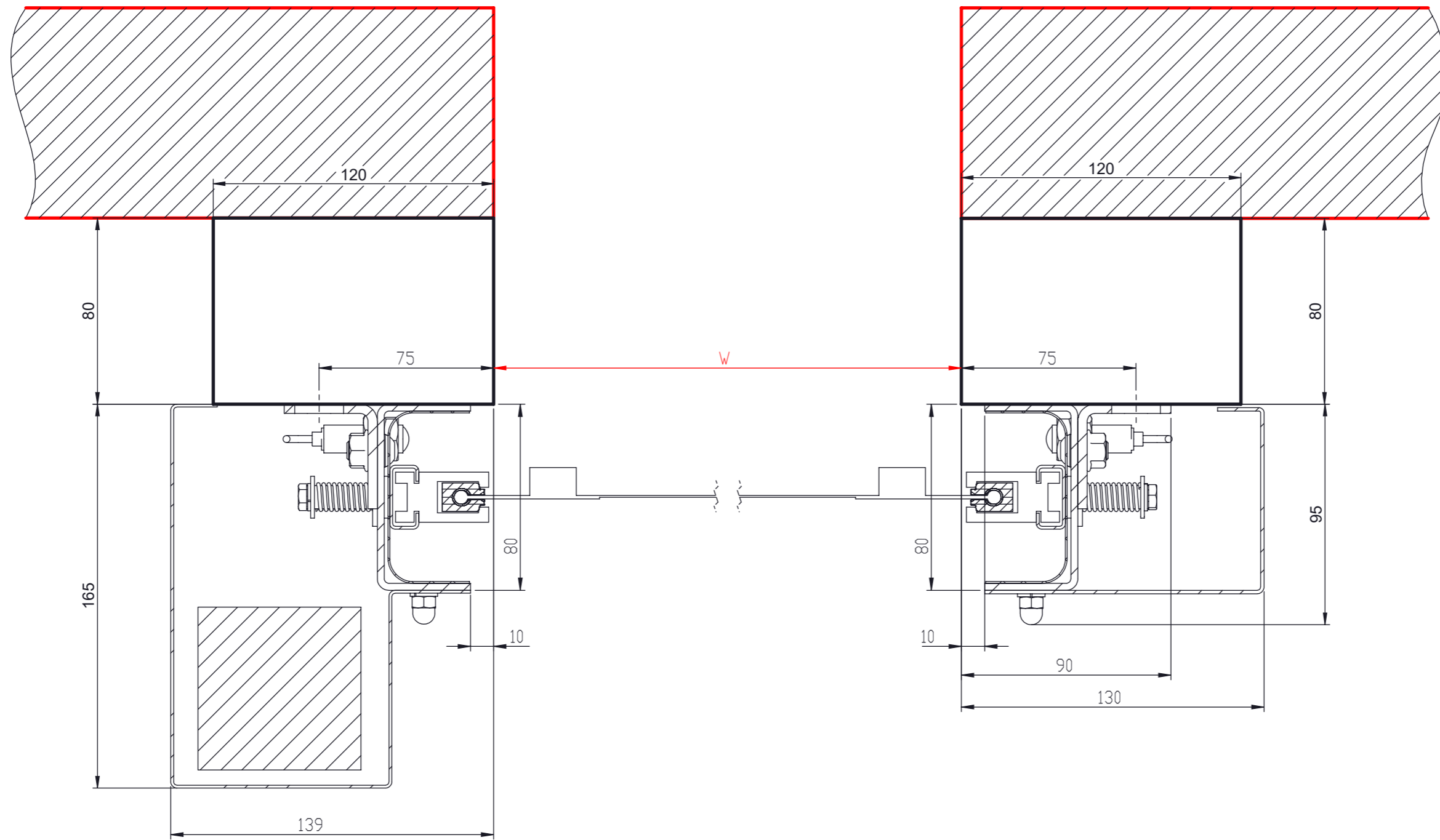


This work is copyright and no part may be reproduced, by any process, nor may any other exclusive right be exercised without the permission of ASSA ABLOY.



Motor side right drawn
 Motor side left = mirror of motor side right

Surface treatment:			Material:			General tolerance: ISO 8015 ISO 2768-mH		
Volume:	Mass:	Surface area:	Created (YYYY-MM-DD): 2019-07-11	Designed by: portekor	Drawn by: portekor	Scale: 1:2 (A3)	Projection: 	
ASSA ABLOY ASSA ABLOY Entrance System HPDS			Door GD HS9010 PEM Side guide sec. view			Alternate ID 1413-1275		
			Document ID D001066905-001			Rev.: 2		

Approved 2019-07-30

Configuration: SHEET 1 OF 1