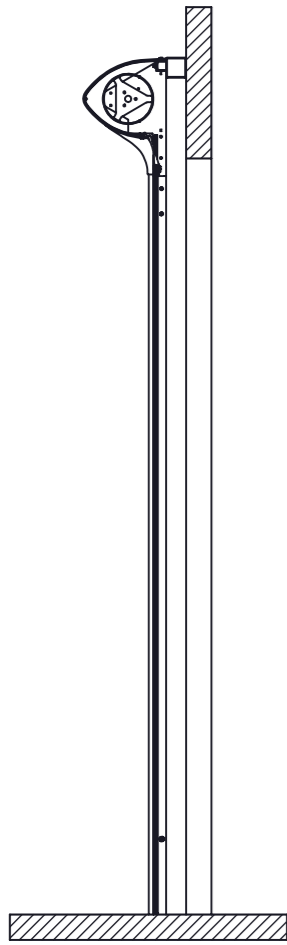
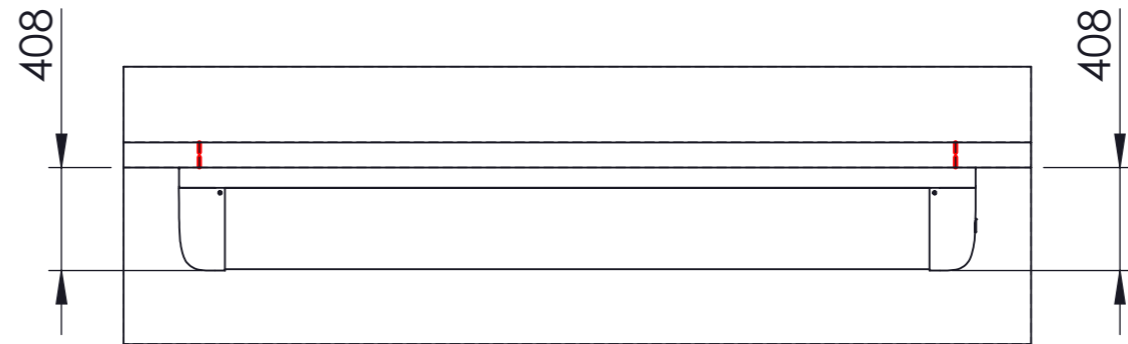
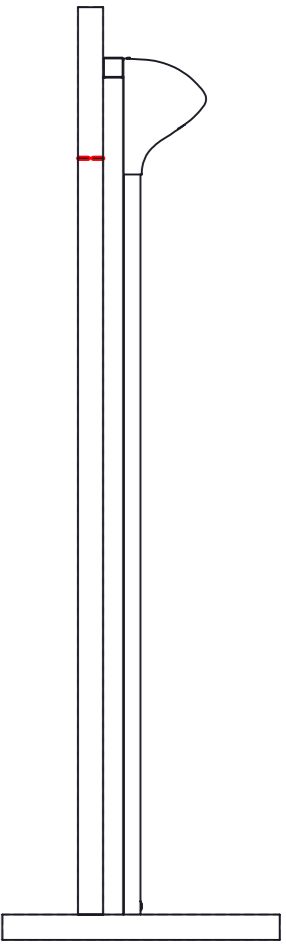
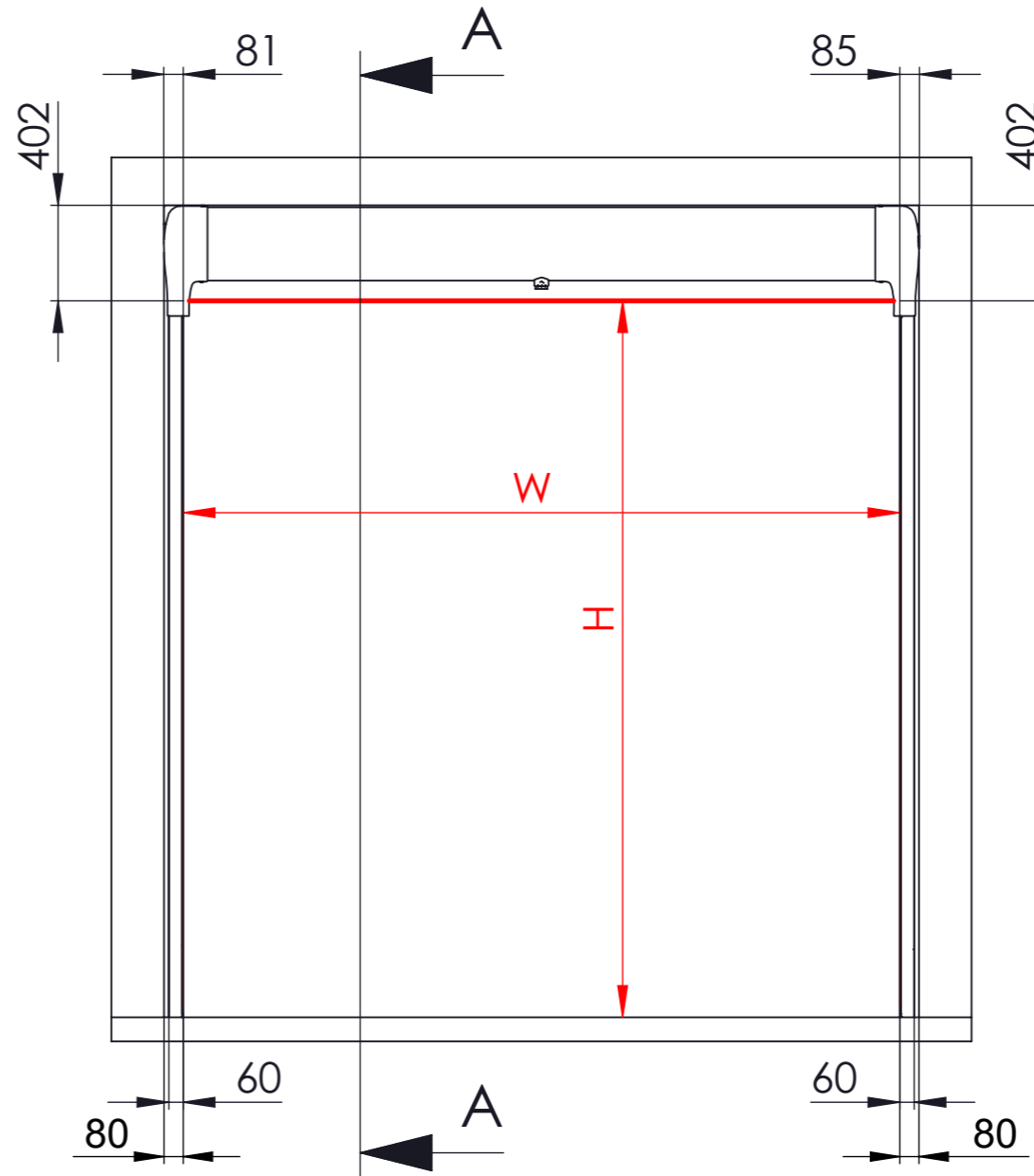
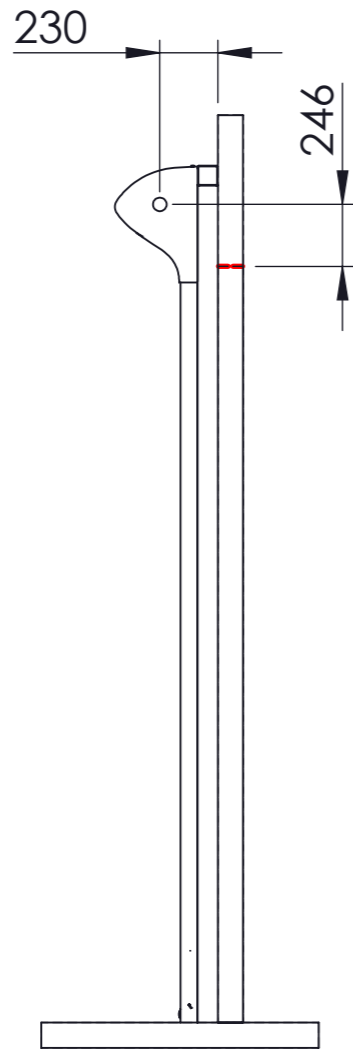


This work is copyright and no part may be reproduced, by any process, nor may any other exclusive right be exercised without the permission of ASSA ABLOY.



SECTION A-A



Surface treatment:			Material:			General tolerance: ISO 8015 ISO 2768-mH		
Volume:	Mass:	Surface area:	Created (YYYY-MM-DD): 2019-07-10	Designed by: portekor	Drawn by: portekor	Scale: 1:30 (A3)	Projection: 	
ASSA ABLOY ASSA ABLOY Entrance System HPDS			Door GD HS9030 GEM incl. Foreframe			Alternate ID 1413-1268		
			Document ID D001066819-001			Rev.: 2		