

Dock leveler

ASSA ABLOY DL6010SM

ASSA ABLOY
Entrance Systems

Experience a safer
and more open world



Economical manually operated dock leveler

The ASSA ABLOY DL6010SM Minidock is a manually operated dock leveler, specifically developed for operators of fleets of standardized vehicles with the same bed height.

The ASSA ABLOY DL6010SM Minidock is developed to be an easy to operate and economical solution in environments where standardized vehicles with the same bed height is used.

The ASSA ABLOY DL6010SM Minidock is equipped with a gas spring, making it easy for one person to operate – just lift and swing the platform. The ASSA ABLOY DL6010SM Minidock also meets the demands of most loading operations and fulfils all ergonomic requirements.

Adapts to movements of vehicle bed

The ASSA ABLOY DL6010SM Minidock design includes a limited, free-floating function, allowing the platform to adapt to the vertical movements of a vehicle bed during loading and unloading.

Lip provides a smooth passage

The lip of the Minidock is made of steel. The shape of the lip is extremely flat and the design of the rear connection to the dock edge is bump-free, resulting in a smooth passage between building and truck bed.

Complete docking solution by ASSA ABLOY

The ASSA ABLOY DL6010SM Minidock can be complemented with a dock shelter to get the advantages of a complete docking system. Such solution improves the loading/unloading process and hence the working environment.

Technical Data

Handling rod for manual operation supported by a gas spring device

Nominal length	700 mm
Nominal width	1250, 2000, 2200 mm
Load capacity	40 kN (4 tonnes) 60 kN (6 tonnes)

Vertical working range

Rise above dock	up to 100 mm
Fall below dock	down to 100 mm

Platform tear-plate thickness 4/6 mm

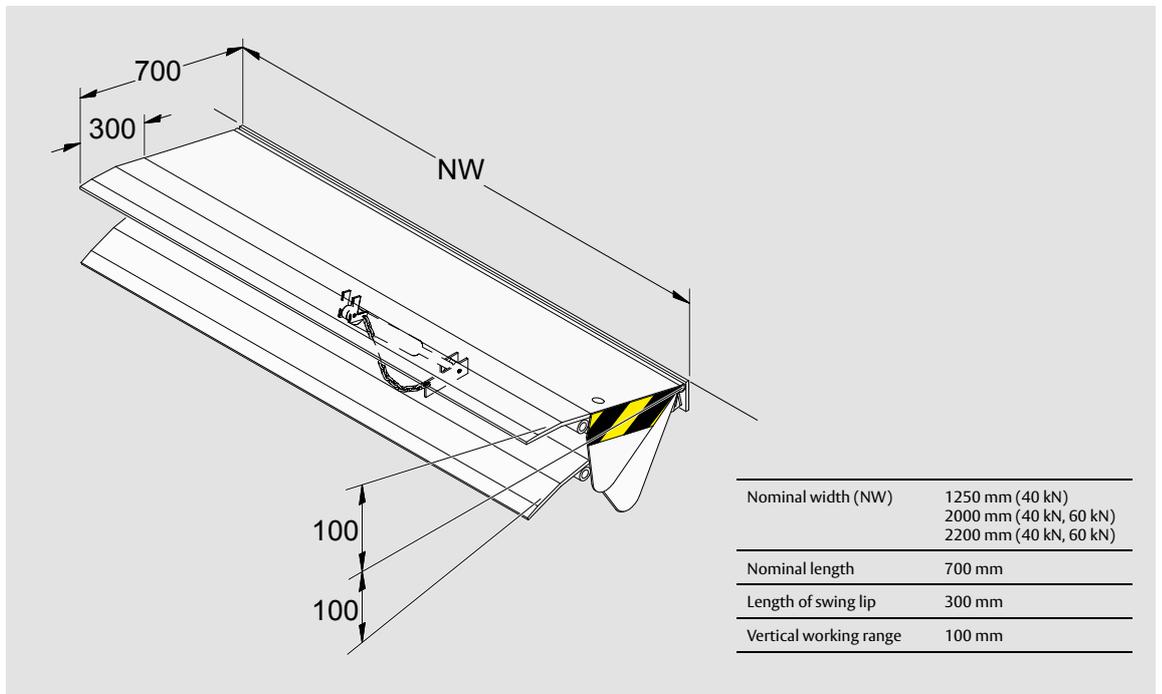
Lip material steel

Installation model ramp, pit

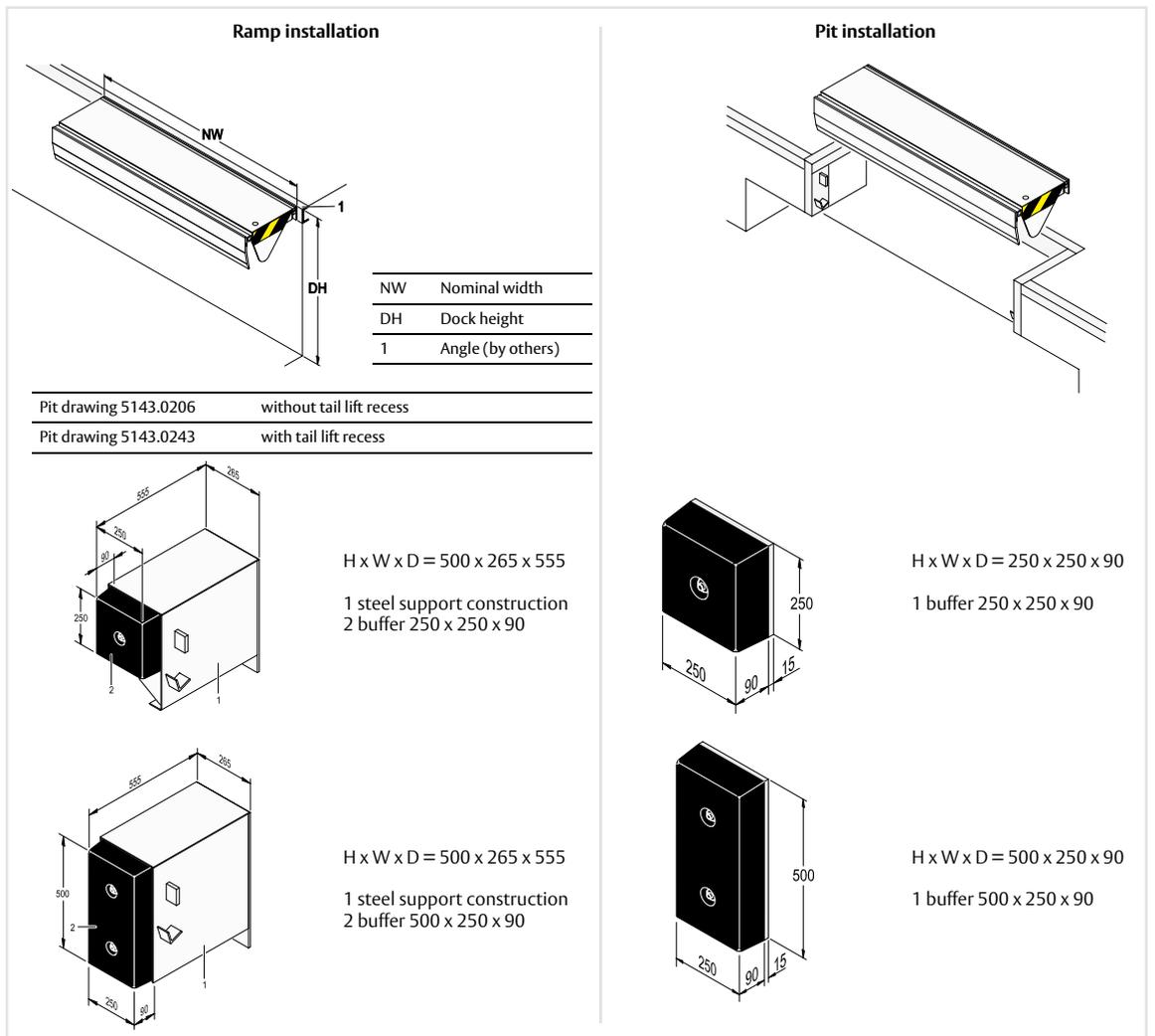
Rubber buffers RB 250x250x90
RB 500x250x90

European standard EN 1398 Dock levelers

Dimensions



Installation modes / buffer options



Surface

