

Dock leveler

ASSA ABLOY DL6130C

ASSA ABLOY
Entrance Systems

Experience a safer
and more open world



Telescopic lip dock leveler for both trucks and vans

The electro-hydraulic ASSA ABLOY DL6130C Combidoek eliminates the need for different ramp heights and thereby reduces building costs. It is advisable to equip every frequent loading area with at least one ASSA ABLOY DL6130C Combidoek so that vehicles of all sizes can be efficiently handled.

The telescopic lip is supplied in high-stability aluminium alloy which is extremely flat, resulting in smoother passages between leveler and truck bed – giving ergonomic as well as economical advantages due to reduced chock loads for people and less wear and tear on the handling equipment.

Vehicles sink and rise during loading and unloading. A special safety control system ensures that the leveler automatically follows the vertical movements of the vehicle bed. Should the bed move horizontally, the same automatic system keeps the lip against the bed, facilitating safe and smooth passages.

Lorry or van - just turn the switch

Simply set the selection switch and the relevant automation program is started. When set on "Small Lorries", leveler lip side tongues are retracted and the width is reduced by 1000 mm. At the same time, the down-force of the leveler platform is reduced by a hydraulic unit. Just use the selector switch for return to standard lorry performance.

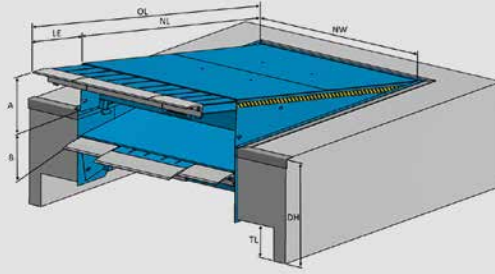
ASSA ABLOY 950 series - the intelligent, all in one, docking control system

The innovative and unique 950 series docking control system gives you direct control of the dock leveler, dock shelter and door all in one control unit. With only a few self-explaining buttons it is easy to operate, to meet the demands of modern logistics. Separate steering units or complex wiring are no longer needed.

Technical Data

Nominal length	3000, 3500, 4000, 4500 mm
Nominal width	2000, 2200 mm
Load capacity	lorries 60 kN (6 tonnes) vans 20 kN (2 tonnes)
Vertical working range	
Rise above dock	up to 620 mm
Fall below dock	down to 700 mm
Platform tear-plate thickness	8/10 mm
Max. point load leveler platform	6,5 N / mm ² (8 mm tear plate)
Lip material & length	aluminium, 500 mm
Control unit protection class	IP 54
Nominal voltage	400V 3-phase
Nominal motor power	1,5 kW
Control unit	standard truck / city van mode Impulse auto button. Optional with door operation
European standard	EN 1398 Dock levelers

Dimensions



NL	Nominal length
OL	Overall length (NL + 500 mm)
GL	Gradient length (NL + 360 mm)
NW	Nominal width (= 2000 mm)
LE	Leveler extension
LH	Leveler height
A	Working range above dock level
B	Working range below dock level
PD	Pit depth
LP	Lowest Position
TL	Tail lift area
3	Leveler frame

Dimensions 500 mm lip

Vertical working range 60kN mode						
NL	LH	LP	A	B - inside LH	B - down to LP	DH
3000	800	950	450	375	550	1200
3500	900	1150	560	275	650	1200
4000	900	1150	560	270	650	1200
4500	900	1165	560	260	650	1200

Vertical working range 20kN mode

Vertical working range 20kN mode						
NL	LH	LP	A	B - inside LH	B - down to LP	DH
3000	800	950	450	375	550	1200
3500	900	1150	560	275	650	1200
4000	900	1150	560	270	650	1200
4500	900	1165	560	260	650	1200

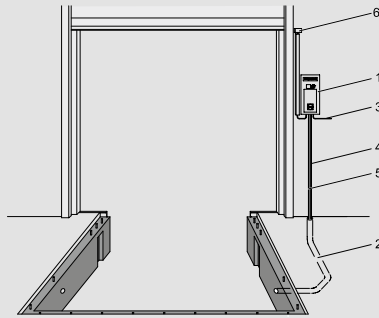
Dimensions 1000 mm lip

Vertical working range 60kN mode						
NL	LH	LP	A	B - inside LH	B - down to LP	DH
3000	800	950	450	375	550	1200
3500	900	1150	560	275	650	1200
4000	900	1150	560	270	650	1200
4500	900	1165	560	260	650	1200

Vertical working range 20kN mode

Vertical working range 20kN mode						
NL	LH	LP	A	B - inside LH	B - down to LP	DH
3000	800	950	450	375	550	1200
3500	900	1150	560	275	650	1200
4000	900	1150	560	270	650	1200
4500	900	1165	560	260	650	1200

Electrical preparations



1	Control unit (included in the delivery)
2	Conduit for wiring internal diameter 50, angles <45° (by others)
3	Mains supply: 3 / N / PE AC 50 Hz Mains fuse: 230 / 400V Motor power: DO 10 A gL 1,5 kW
4	Control cable: 18 x 0,75 mm ²
5	Main connection 230V: 4 x 1,5 mm ²
6	Optional safety switch on sectional door to disable leveler when door is closed*

*Non standard

Operating functions for combidock levelers 950

950 LA CD

950 DLA CD

950 LSA CD

950 DLSA CD

CD = Combidock
L = Leveler
A = Auto Button
D = Door
S = Shelter

Loading mode 20 kN

Loading mode 60 kN

Standard available colours

Red RAL 3002	Green RAL 6005
Blue RAL 5010	Jet Black RAL 9005