



Heavy duty telescopic lip dock leveler

ASSA ABLOY DL6121TA teledock autodock has a self-supporting frame for easy integration with a building. It forms a base for a complete ASSA ABLOY Loadhouse outside the building. It is a heavy-duty dock leveler with a load capacity of 100 kN or optional 150 kN. Robust and reliable construction guarantees high performance during the tough handling of high loads.

The ASSA ABLOY DL6121TA Teledock provides a larger contact area between vehicle bed and dock leveler for optimal and safe positioning on the vehicle bed.

The ASSA ABLOY DL6121TA Teledock:

- Preventive maintenance is easy and fast to secure functionality and avoid downtimes.
- Robust and reliable construction to guarantee high performance during the tough handling of high loads.
- Special durable design of the telescopic lip.

ASSA ABLOY 950 series - the intelligent, all in one, docking control system

The innovative and unique 950 series docking control system gives you direct control of the dock leveler, dock shelter and door all in one control unit. With only a few self-explaining buttons it is easy to operate, to meet the demands of modern logistics. Separate steering units or complex wiring are no longer needed.

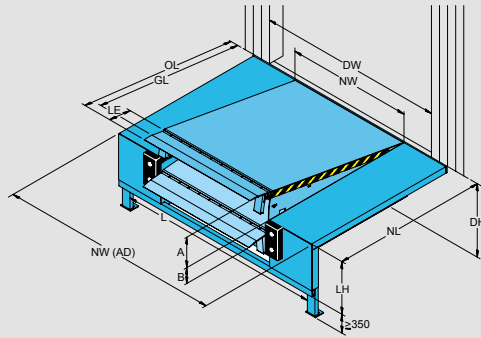
ASSA ABLOY DE6090DI Dock-IN

ASSA ABLOY Dock-IN is the world's first combined solution with parking guide and traffic lights in one system. ASSA ABLOY Dock-IN ensures a safe and secure dock in procedure with the help of white guiding lights and red traffic lights. There is no need to paint and repaint guiding lines on the asphalt or install conventional steel parking guides, which are an obstacle in the yard. With modern LED technology ASSA ABLOY Dock-IN has a low energy consumption and a long life.

Technical Data

Normal length ¹	2000, 2450, 3000 mm
Normal width	3300, 3500, 3600, 3750 mm
Load capacity	100 kN (10 tonnes) 150 kN (15 tonnes)
Vertical working range 100 kN	
Rise above dock	up to 410 mm
Fall below dock	down to 460 mm
Vertical working range 150 kN	
Rise above dock	up to 490 mm
Fall below dock	down to 390 mm
Platform tear-plate thickness 100 kN	8/10 mm
Platform tear-plate thickness 150 kN	10/12 mm
Max. point load leveler platform	6,5 N / mm ² (8 mm tear plate & 10 mm tear plate)
Lip material and length	steel, 500/1000 mm
Control unit protection class	IP 54
Temperature range hydraulic oil	-20°C - +60°C
European standard	EN 1398 Dock levelers
1) Other sizes on request	

Dimensions



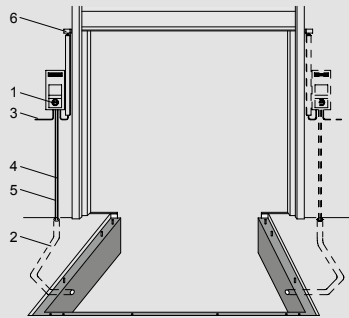
Platform thickness	
Thickness	Max. point load
8 mm	6,5 N / mm ²
10 mm	6,5 N / mm ²

Dimensions				Vertical working range			
				100 kN			
				LE 500		LE 1000	
NL	OL	GL	LH	A	B	A	B
2000	NL+LE	NL+(LE-150)	700	240	330	290	390
2450	NL+LE	NL+(LE-150)	700	340	350	400	400
3000	NL+LE	NL+(LE-150)	800	350	400	410	460

Nominal width 2000, 2200
Nominal width of Autodock 3300, 3500, 3600, 3750

NL	Nominal length
OL	Overall length
GL	Gradient length
NW	Nominal width
LE	Leveler extension
LH	Leveler height
A	Working range above dock level
B	Working range below dock level
DH	Dock height
DW	Door width
NW (AD)	Nominal width Autodock (incl. side tread panels)
L	Distance between plinths
OW (AD)	Overall width Autodock = NW (AD) - 20

Electrical preparations



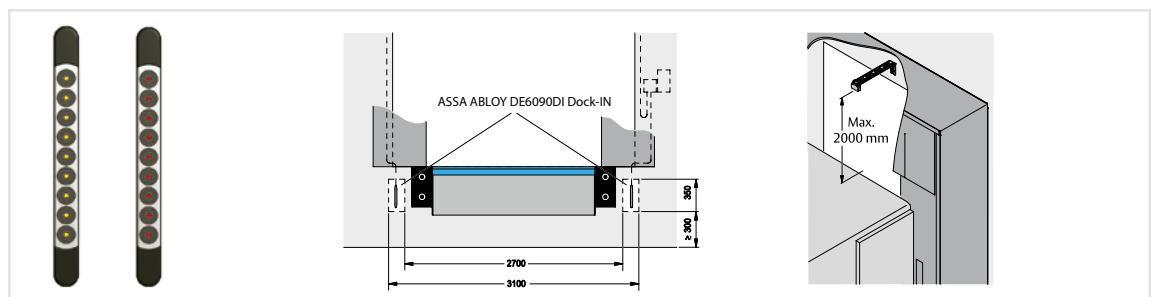
1	Control unit (included in the delivery)
2	Conduit for wiring internal diameter 70, angles <45° (by others)
3	Mains supply: 3 / N / PE AC 50 Hz 230 / 400V Mains fuse: D0 10 A gL Motor power: 1,5 kW
4	Cable: 7 x 0,75 mm ²
5	Motor cable: 4 x 1,5 mm ²
6	Optional safety switch on sectional door to disable leveler when door is closed*

*Non standard

Operating functions for Tele lip levelers



ASSA ABLOY DE6090DI Dock-IN



Standard available colours

