

Loadhouse

ASSA ABLOY LH6180IL

ASSA ABLOY
Entrance Systems

Experience a safer
and more open world



Exclusive and innovative insulated stand alone loadhouse

The innovative ASSA ABLOY LH6180IL Loadhouse is an independent loading system, containing all the relevant components: leveler, shelter and door.

Together with the Autodock bottom platform and the insulated cladding house, a complete, stand-alone dock loading system is formed.

Placed outside the door opening of a warehouse or terminal, the operator will gain inside space advantages compared to a conventional, inside docking installation, in both new and existing buildings without any major building modifications. Due to the thermal separation between building and docking unit, the Loadhouse can be used in temperature controlled applications.

The ASSA ABLOY LH6180IL Loadhouse is a new insulated version with a very attractive appearance, specially developed to meet all requirements of architects, builders and operators. The outstanding feature is that the walls are made of insulated panels without a steel frame inside the loadhouse. The smooth wall surfaces are washable and meet the requirements for cleanliness e.g. from the food industry. Underneath the roof section made of a steel frame with sheet cladding, a horizontal panel even provides a smooth ceiling. The inside surfaces of the loadhouse is like a closed box with no open spaces or protruding fixtures which can cause damage or injuries whilst keeping the birds and their nests' away.

The Loadhouse is suitable for all regions with snow loads up to 3,0 kN/m² as standard, which has been certified by a third party. The ASSA ABLOY LH6180IL Loadhouse is a robust, safe, and reliable choice with ideal support for project engineering and building permits and as a bonus it is pleasing to the eye.

Same storage area, smaller building

The load house makes it possible to move the actual loading and unloading area outside the building and thereby releasing the corresponding floor area inside.

Better insulation

The ASSA ABLOY LH6180IL Loadhouse also forms a protective barrier between building and vehicle, contributing to energy savings and an improved working environment. Dock levelers and shelters can be integrated with the load house, together forming a complete Autodock® system.

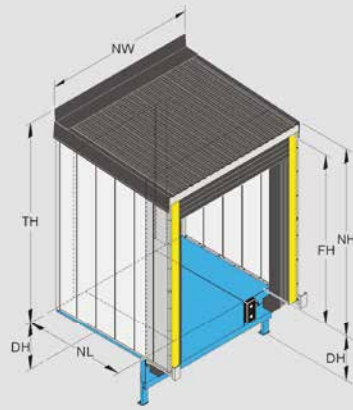
Cheaper construction

As there is no need for complicated concrete pit construction the total cost of the building is reduced.

Technical Data

Nominal length	2450, 3000 mm
Nominal width	3300, 3500, 3600, 3750 mm
Installation type	Single or multi installation
Certification	Declaration of Performance according to EN1090
Snow load	3,0 kN/m ² according to EN1993
Wind load	0,913 kN/m ²
Steel profiles	Galvanized steel
Roof material thickness	0,6 mm profiled steel sheet

Dimensions

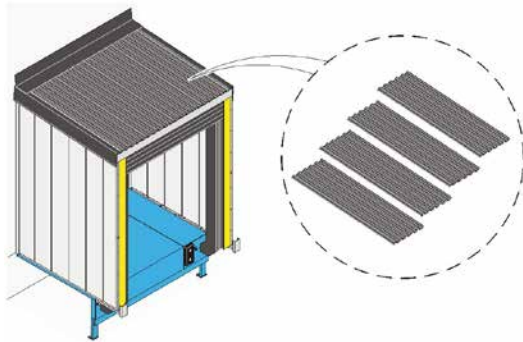


NW Nominal Width (3600, 3750 mm)
 NL Nominal Length (2450, 3000 mm)
 TH Total height
 DH Dock height
 NH Nominal height loadhouse
 FH Free height above finish floor level

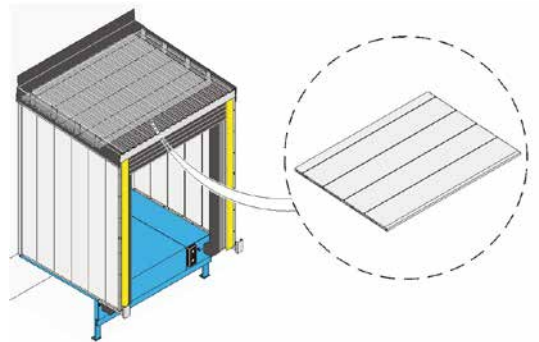
Dimensions are for the model HI - House Inflatable

NL	FH	NH	TH
2450	3300	3750	4275
2450	3600	4050	4575
2450	3900	4350	4875
2450	4100	4550	5075
3000	3300	3750	4320
3000	3600	4050	4620
3000	3900	4350	4920
3000	4100	4550	5120

Roof

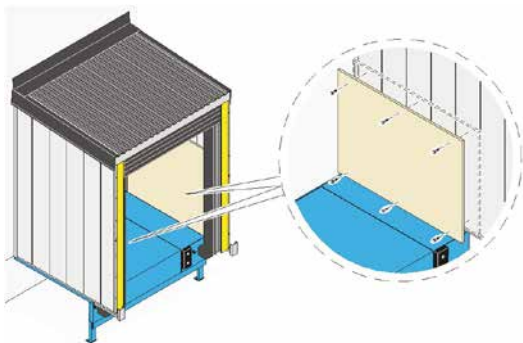


Outside: Steel sheet roof

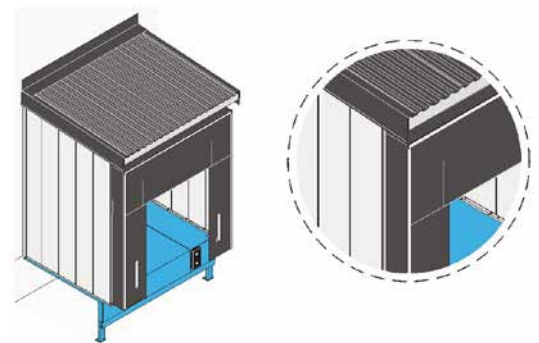


Inside: Insulated panel sealing

Options



Wall protection plywood veneer



Extended roof over mechanical shelter

Available outside colours

Steel	Yellow RAL 1021	Green RAL 6005	Graphite grey RAL 7024	Jet black RAL 9005	White RAL 9010
	Flame red RAL 3000	Anthracite grey RAL 7016	Chocolate brown RAL 8017	White Aluminium RAL 9006	On request Other colours
	Blue RAL 5010	Black grey RAL 7021	Grey white RAL 9002	Aluminium grey RAL 9007	