



## Unique, energy efficient dock light with a robust design and long lifetime

The ASSA ABLOY DE6090DL dock light heavy duty LED is a unique and innovative product from ASSA ABLOY Entrance Systems. This exclusive product is a convenient, safe and sustainable help when working in and around the docking area. It has a modern, solid and reliable design, and is truly user friendly.

Where dock lights are often a vulnerable object in the docking area, the virtually indestructible ASSA ABLOY DE6090DL dock light heavy duty LED is the perfect solution to bring light in the truck and docking area.

It is designed for the most demanding environments and can withstand possible hard hits from a moving forklift without being damaged.

The housing is made of cast aluminum, combined with a shatterproof polycarbonate lens cover. With a protection class of IP66 it is dust tight and able to withstand water spray. The 18 Watt LED technology gives the ASSA ABLOY DE6090DL dock light heavy duty LED a long life time combined with low energy consumption while providing extensive illumination.

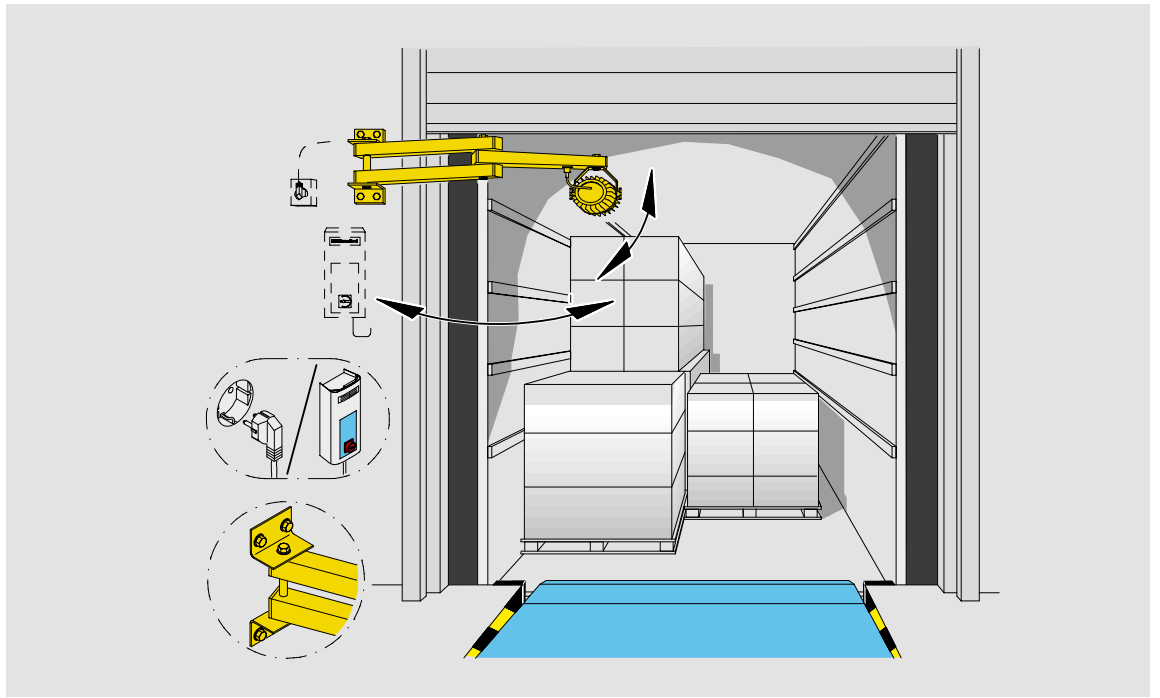
#### Benefits

- With robust design and material you get less damages and maintenance which means no interruption of the loading process.
- Virtually indestructible lense cover thanks to shatterproof material.
- Dust tight and able to withstand water spray. Is durable for the most demanding working environments.
- Bright and sufficient light in the truck and docking area thanks to powerful illumination. To avoid damages on the vehicle or building and better working conditions for staff.
- Energy efficient LED-lamps which means low energy consumption, long lasting lifetime and low operational cost.
- Flexible solid arm that fits every application, for an easy and fast docking process.
- Installation possible with or without arm - suitable for inside installation or outside in loadhouse.
- Modern and solid design. Userfriendly with no special training needed for operation.

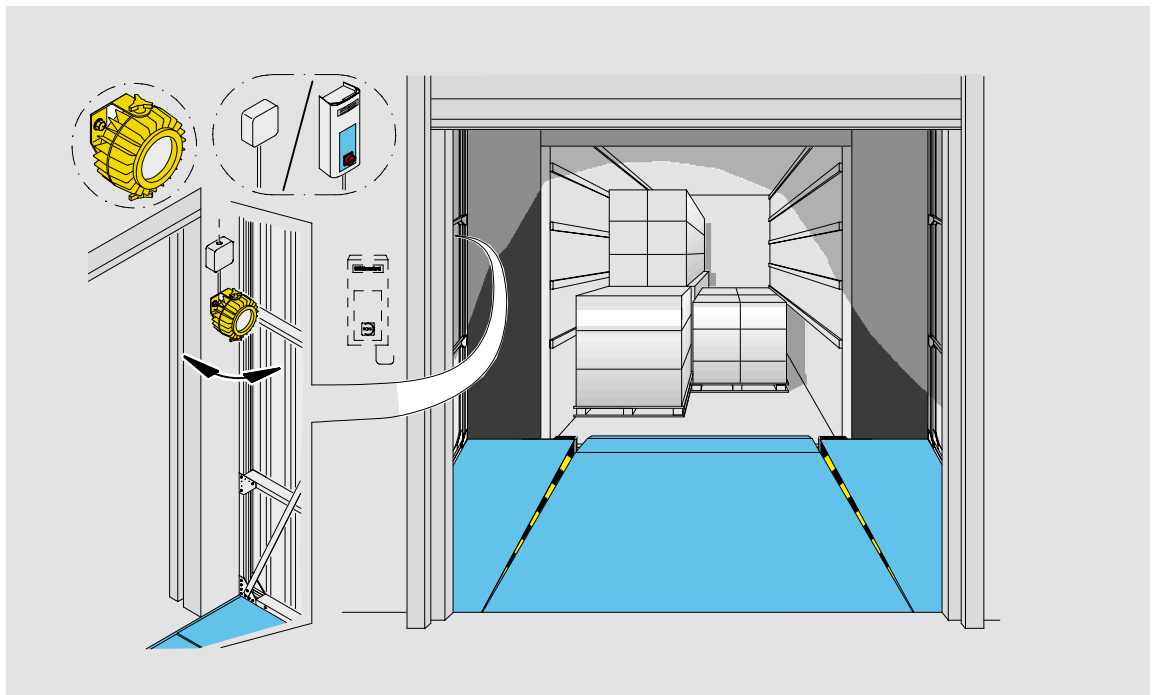
#### Technical Data

Life time	over 60,000 h in typical applications
Power of LED's	18 W
Protection class	IP66
Lens cover	shatterproof polycarbonate
Connection	230 V AC with plug
Cable length	2 m

## Standard inside installation with arm



## Alternative installation direct to the wall outside in loadhouse



ASSA ABLOY DE6090DL - with arm



Cast aluminium housing