

# Full Height Turnstile

## ASSA ABLOY FT600 Series

**ASSA ABLOY**  
Entrance Systems

Experience a safer  
and more open world



Safeguard your venue with a top quality and secure access point specifically designed for controlled physical access in rough environments – and complemented with a separate passageway for bicycles.

Our new Full Height Turnstile FT600 from ASSA ABLOY is an extremely robust and water-resistant solution for frequently visited secured environments. With its durable 3-section, stainless steel portal and housing design, it stands up to the harshest external conditions, as well as providing several drive mechanism options for your greater comfort.

This bidirectional, logic-controlled double entryway is equipped to deal with power outages and is customisable – from different design options to accessories like roofs/canopies or a full-height swing door. The built-in bicycle door is a special feature of this model: induction loops detect when someone wants to enter the passageway with a bicycle and automatically opens for (and closes after) them to ensure a smooth experience.

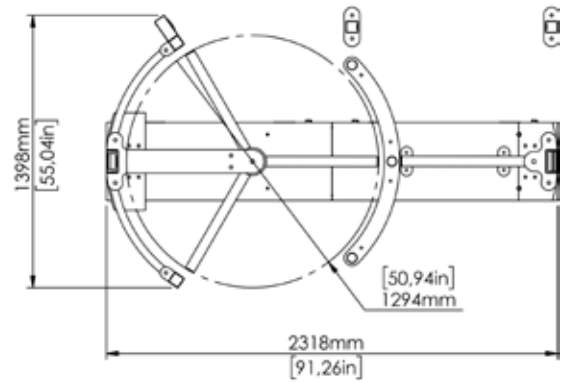
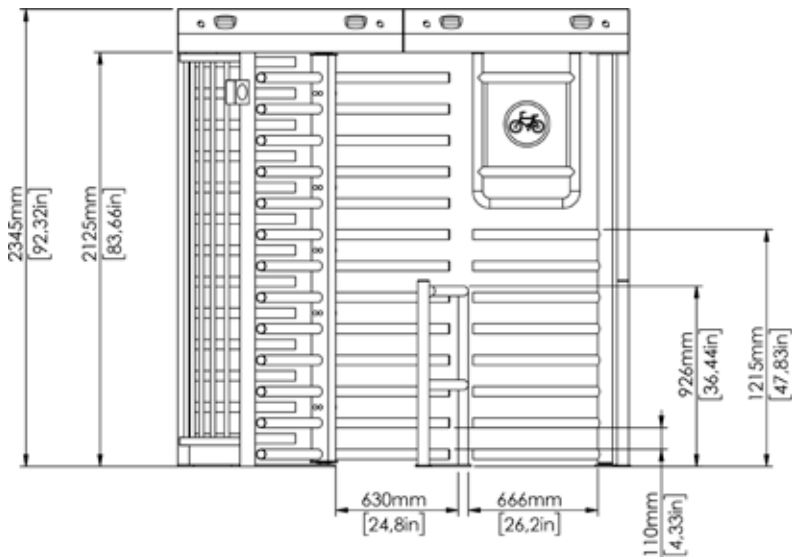
You can even choose to have it delivered completely assembled or disassembled, depending on your venue: our specialists are happy to help you in just the way you need.

### Design specification

Construction:	Steel
Passage width:	630 mm
Weight:	390 kg
Power Supply:	100 – 240 VAC, 50/60 Hz
Logic Voltage	24V DC
Standby power consumption	12 W
Operation Temperature	-20 ° / +70 °
IP Protection	Cabinet IP54 / Logic Controller IP65
MCBF	10.000.000
MTTR	< 30 min.

### Options

- Electromechanical or hand-operated drive mechanism
- Assembled/Disassembled delivery
- Fail-safe/Fail-locked
- Stainless steel (AISI 304/316), stainless steel and powder coated, hot-dip galvanised or galvanised and powder-coated material
- Customisable LED indicators



## Essential functions and interface features

### Customisable settings

The FT600 turnstile has a logic-controlled interface and operates bi-directionally. Entrance and exit directions can be individually set as controlled, locked, or free rotation. After the release, the turnstile blocks itself after an adjusted time if no transition or passage occurs. If people from both directions would like to pass through simultaneously, the first person who activates the turnstile comes first.

### Controlled access

When in controlled access mode, after the release confirmation sent by the access control system, the turnstile unlocks the released direction and enables one person access. After each person, the turnstile rotor blocks passage again, and does not permit access from entrance or exit directions until receiving a new release signal from the access control system.

### Multiple openings

An additional person is able to use the next passage cycle during an ongoing passage cycle in both directions. The turnstile controller stores up to 255 releases, and can allow the same amount of individuals to pass through.

### Emergency modes

In the event of an emergency or power cut, the mechanism unlocks the rotor and the rotor rotates freely in both directions. In fail-safe mode, the turnstile resets itself automatically when the emergency alarm stops or the power is switched back on. (Fail-locked mode is also an option.)

### LED indicators

The LED lights on the turnstile indicate the operating status in both directions.

	Option-1	Option-2
Green	Standby or locked	Released or free passage
Red	Released or free passage	Standby or locked

### Special feature: automatic bicycle door

The passageway for bicycles has two built-in induction loops and detectors that can be controlled electronically in both directions.

### Accessories

Reader mounting plate
Ceiling lights
LED indicators
Heating kit for -40 degrees
Roof & Canopy options
Tempered glass side panels
Mounting plate (suitable for forklift transport)
Mounting frame for recessed installation
Back-up battery
Access controller integration brackets on demand.

### Settings

Operation mode for each directions:	Controlled / Free / Locked
Acoustic notifications:	On/Off
Release time out:	5-10-15-20 secs
Consecutive passage:	On/Off
Emergency connection	On/Off