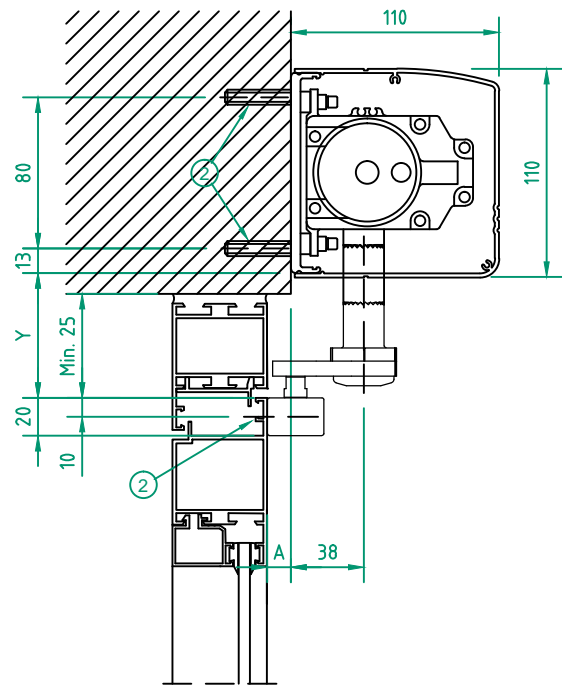


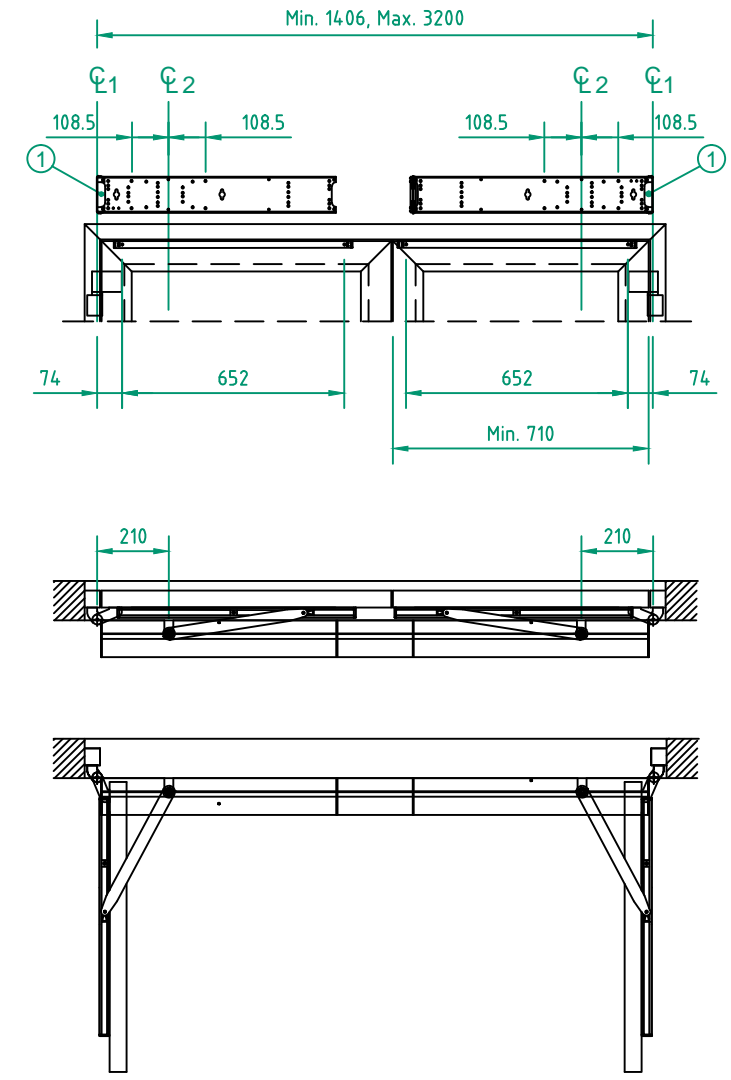
© All rights in and to this material are the sole property of Entrematic AB. Copying, scanning, alterations or modifications are expressly forbidden without the prior written consent of Entrematic AB. Rights reserved for changes without prior notice.



- ☉1 Hinges
- ☉2 Operator drive shaft
- A Reveal max. 130mm
- 1 Cable inlet
- 2 Reinforcements required in door leaf and at fixing holes

Note! State L when ordering

| Y=  | Shaft extension |
|-----|-----------------|
| 46  | 0               |
| 66  | 20              |
| 96  | 50              |
| 116 | 70              |



Customer:

Door id:

Project No:

Ref:

Date:

Sign:

**EM EMSW - 2**  
**Arm system PULL**  
**Swing door operator**

**ENTRE/MATIC**

7.0 173674-EMEI