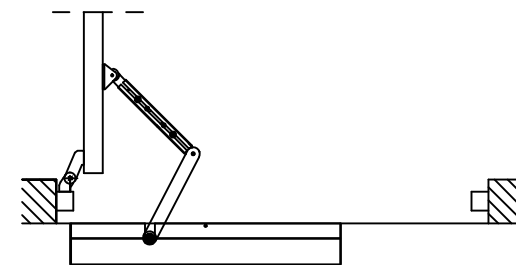
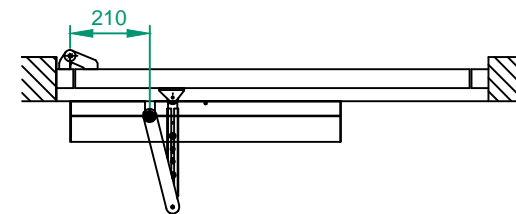
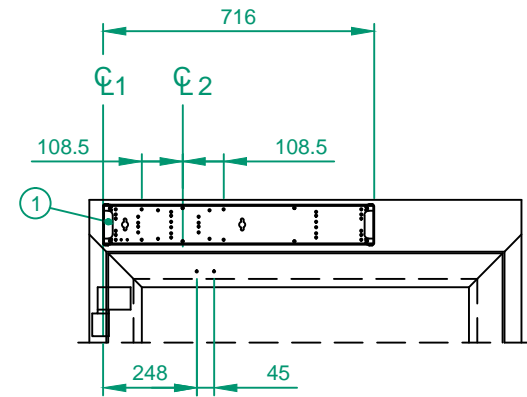


Ø1	Hinges	Y=	Shaft extension
Ø2	Operator drive shaft		
A	Reveal max. 130mm Optional max. 400mm	48	0
1	Cable inlet	68	20
2	Reinforcements required in door leaf and at fixing holes	98	50
		118	70



Customer:

Ref:

Door id:

Date:

Project No:

Sign:

EM EMSW
Arm system PUSH

Swing door operator

ENTRE/MATIC

6.0 173677-EME1