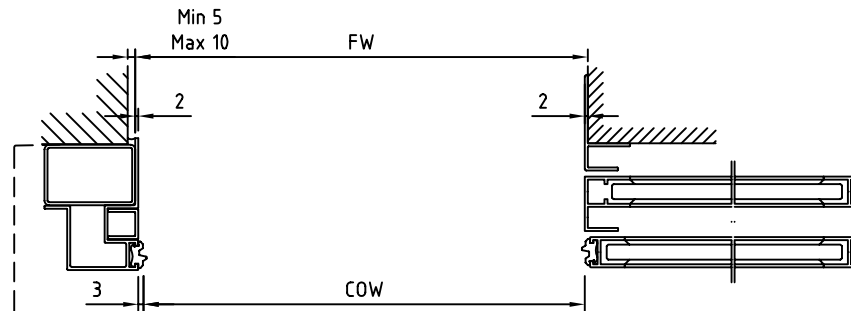
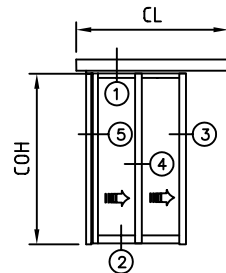
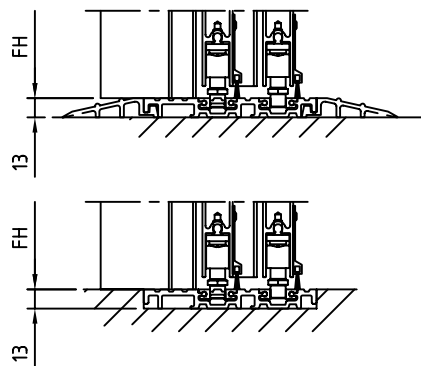
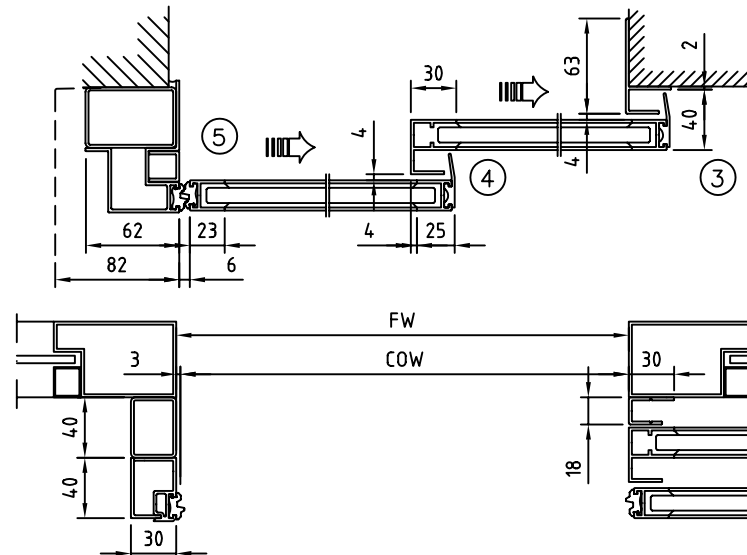


Alt. F



Alt. U



State when ordering

FW=.....mm
 FH=.....mm
 COW=.....mm
 COH=.....mm
 Cover
 CL=.....mm

Profile option

Alt. F (concrete/brick)
 Alt. U (aluminium/steel)

Surface treatment

Silver anodized
 Special anodized.....
 RAL.....
 Special powder coating.....

Glass

8 mm laminated glass
 10 mm laminated glass
 12 mm laminated glass
 8 mm tempered glass
 10 mm tempered glass

Lock

Floor lock Euro 1-way
 Floor lock Euro 2-way

FW= Frame width
 Min. 1000 / max. 2800
 Alt. F FW=COW+7
 Alt. U FW=COW+3

FH= Frame height
 Min. 1900 / max. 3000

COW= Clear opening width
 Alt. F COW=FW-7
 Alt. U COW=FW-3

COH= Clear opening height
 COH=FH

CL= Cover length

Scale 1:5

Customer:

EntreMatic ref:

Door id:

Date:

Project No:

Sign:

Profile system
EMPS-T with EMSL-T
2 Panel wall mounted right



2

833059