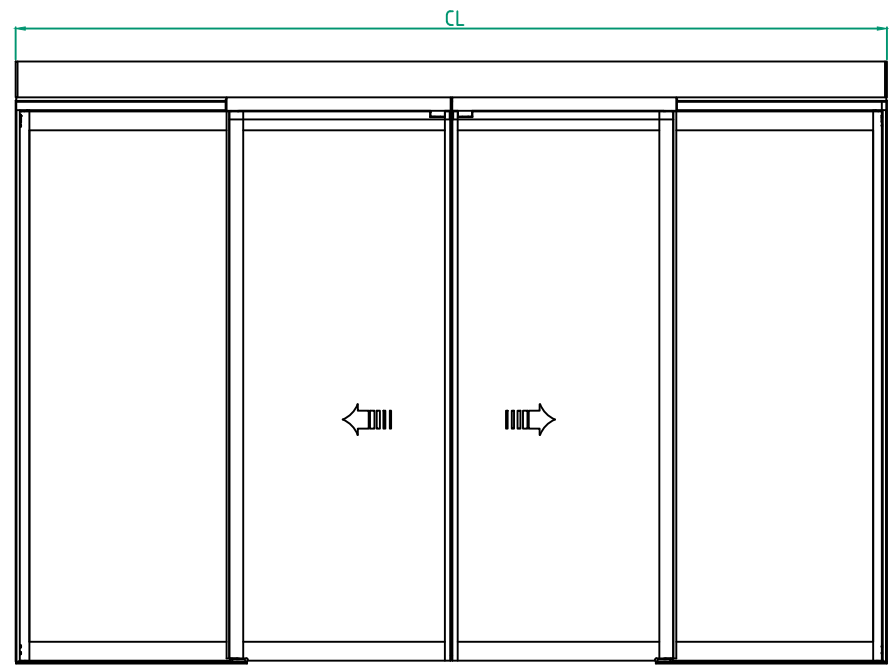
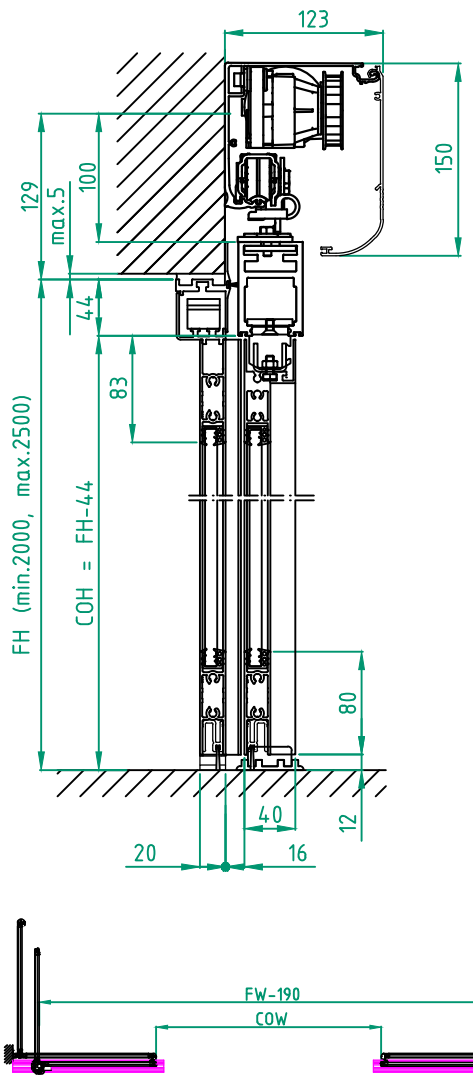


© All rights in and to this material are the sole property of Entrematic AB. Rights reserved for changes without prior notice.
 Copying, scanning, alterations or modifications are expressly forbidden without the prior written consent of Entrematic AB.



STATE WHEN ORDERING

- FW = mm
- FH = mm
- X = mm
- COW = mm
- COH = mm
- CL = mm

Surface treatment

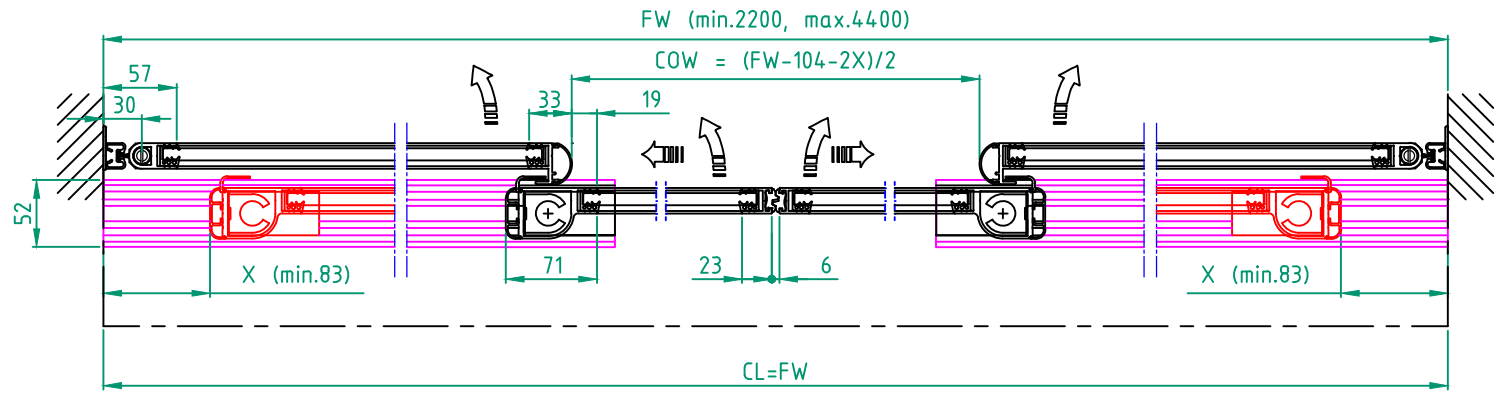
- Silver anodized
- Special anodized
- RAL
- Special powder coating

Glass option see drw. 1009030-EME1

Glass code:

Installation

- Floor heating
- Other



Customer: _____

Door id: _____

Project No: _____

Ref: _____

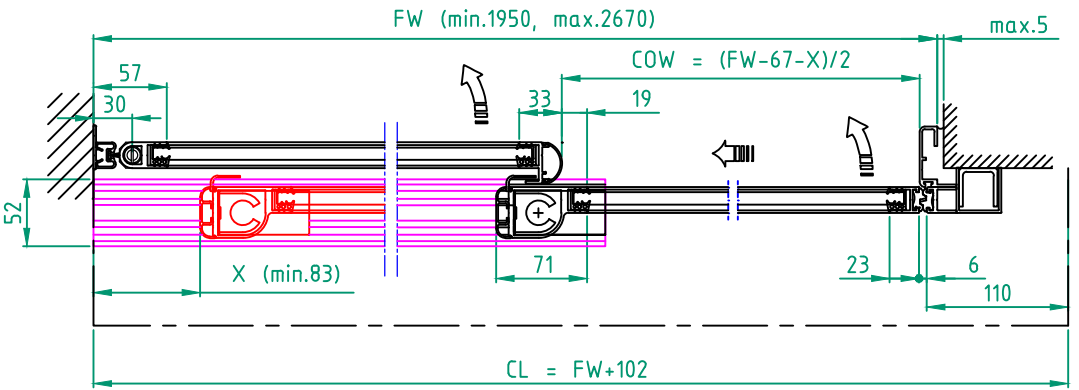
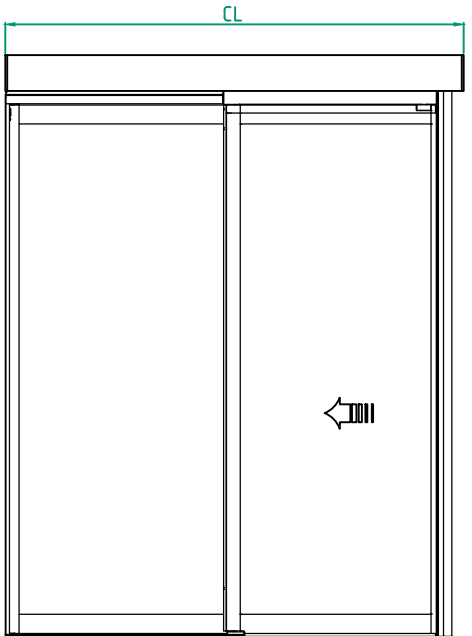
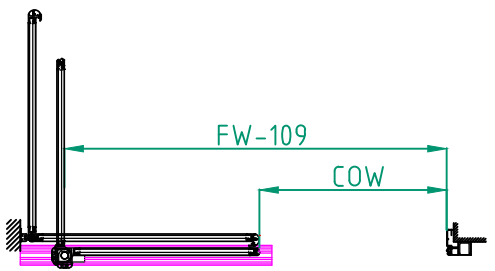
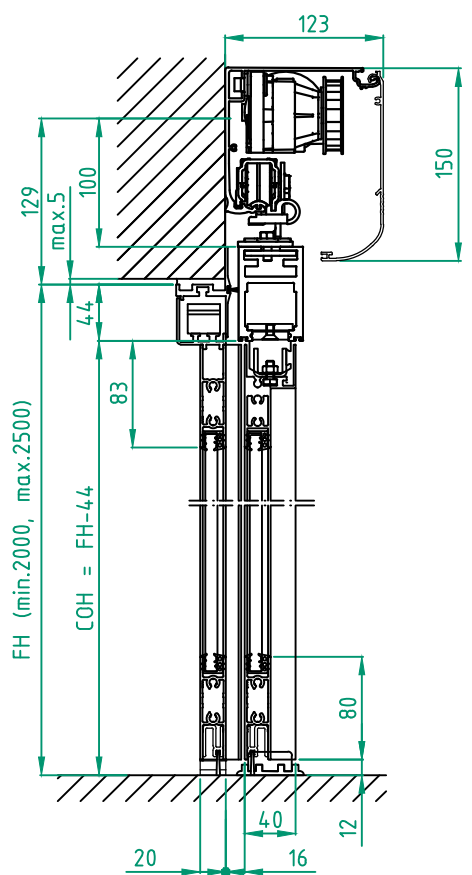
Date: _____

Sign: _____

Profile system
 EM PS-SB 4 Panel wall mounted
 EM PSL150

ENTRE MATIC
 4.0 1009389-EME1

© All rights in and to this material are the sole property of Entrematic AB. Rights reserved for changes without prior notice. Copying, scanning, alterations or modifications are expressly forbidden without the prior written consent of Entrematic AB.



STATE WHEN ORDERING

- FW = mm
- FH = mm
- X = mm
- COW = mm
- COH = mm
- CL = mm

- Surface treatment**
- Silver anodized
 - Special anodized
 - RAL
 - Special powder coating

Glass option see drw. 1009030-EME1
 Glass code:

Limitation
 If 10 mm glass FW x FH = max. 6,3 m²
 If 12 mm glass FW x FH = max. 5,8 m²

- Installation**
- Floor heating
 - Other

Customer: _____

Door id: _____

Project No: _____

Ref: _____

Date: _____

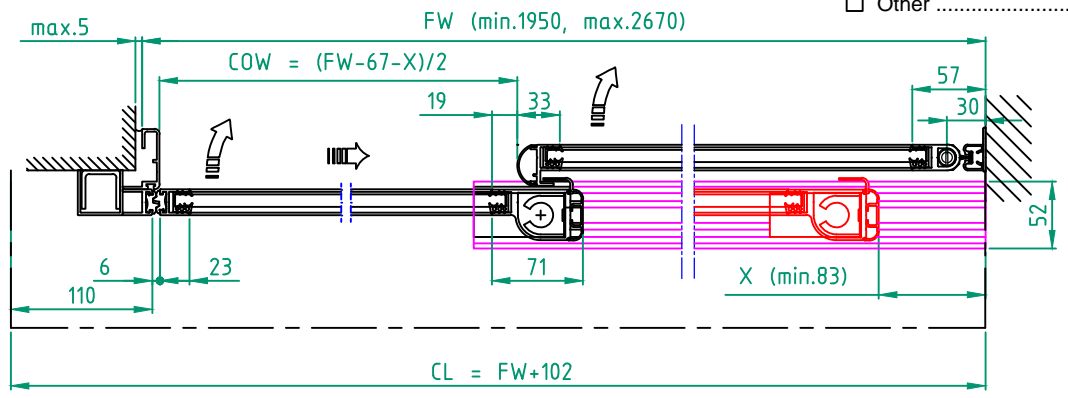
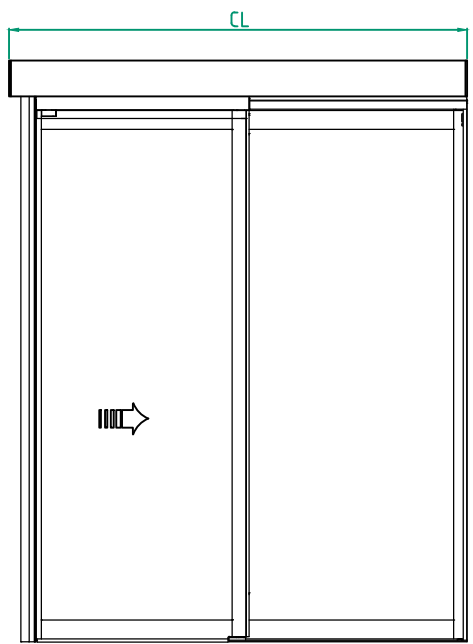
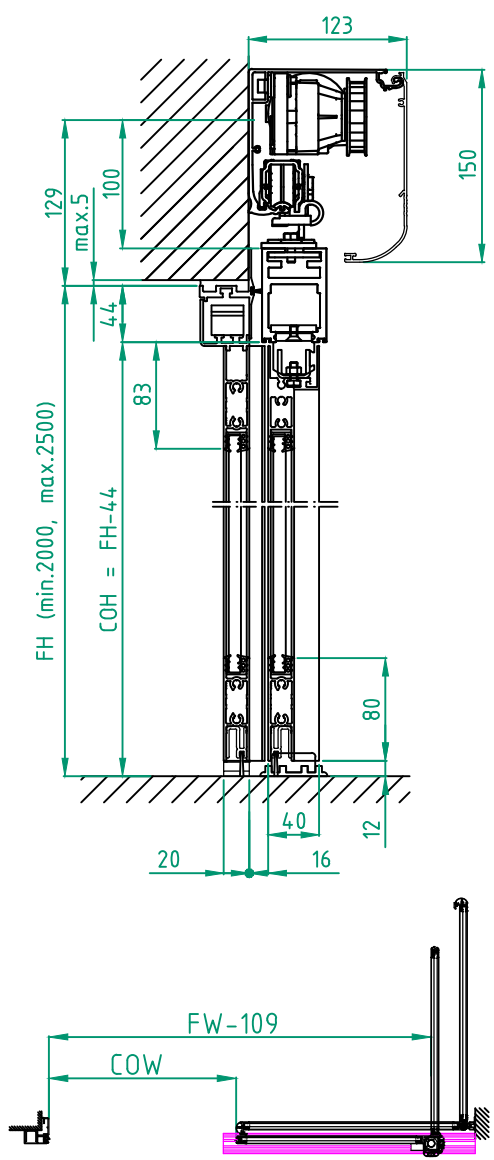
Sign: _____

Profile system
 EM PS-SB 2 Panel wall mounted opening left
 EM PSL150

ENTREMATIC

4.0 1009389-EME1

© All rights in and to this material are the sole property of Entrematic AB. Rights reserved for changes without prior notice. Copying, scanning, alterations or modifications are expressly forbidden without the prior written consent of Entrematic AB.



STATE WHEN ORDERING

- FW = mm
- FH = mm
- X = mm
- COW = mm
- COH = mm
- CL = mm

Surface treatment

- Silver anodized
- Special anodized
- RAL
- Special powder coating

Glass option see drw. 1009030-EME1

Glass code:

Limitation

- If 10 mm glass FW x FH = max. 6,3 m²
- If 12 mm glass FW x FH = max. 5,8 m²

Installation

- Floor heating
- Other

Customer: _____

Door id: _____

Project No: _____

Ref: _____

Date: _____

Sign: _____

Profile system
EM PS-SB 2 Panel wall mounted opening right
EM PSL150

ENTREMATIC

4.0 1009389-EME1