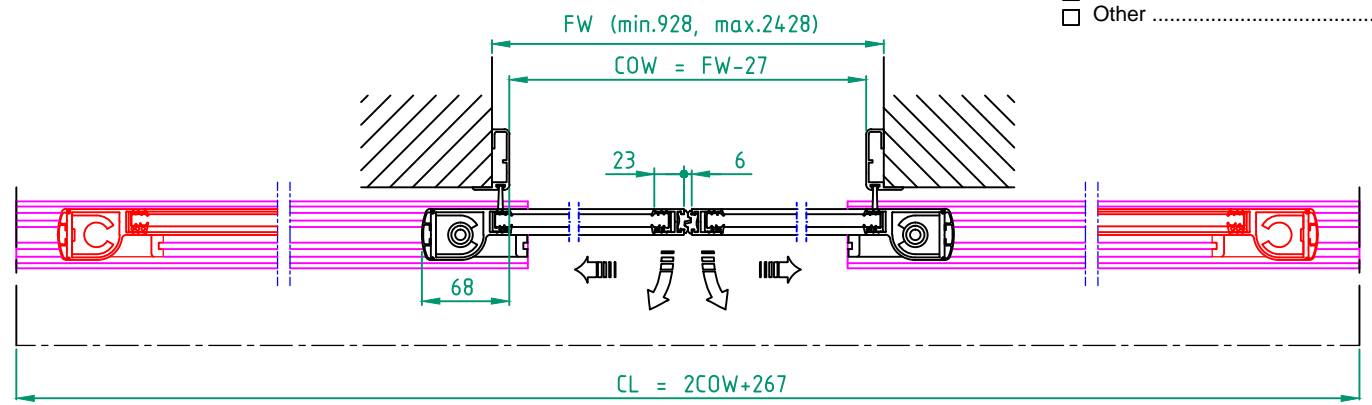
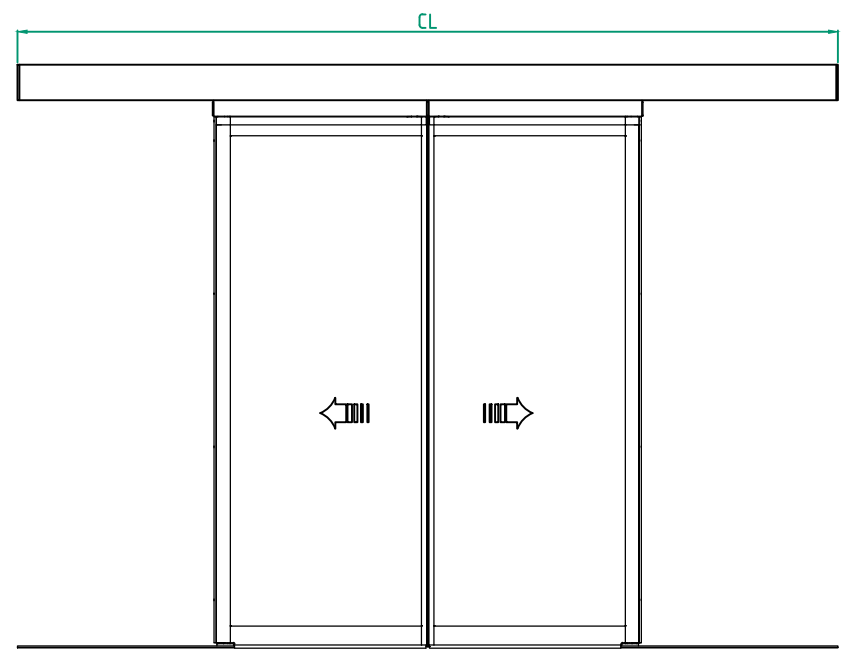
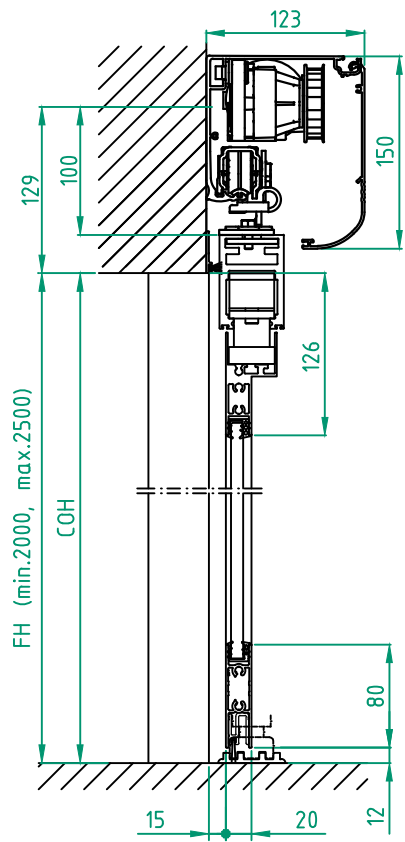


© All rights in and to this material are the sole property of Entrematic AB. Copying, scanning, alterations or modifications are expressly forbidden without the prior written consent of Entrematic AB. Rights reserved for changes without prior notice.



STATE WHEN ORDERING

- FW = mm
- FH = mm
- COW = mm
- COH = mm
- CL = mm

Surface treatment

- Silver anodized
- Special anodized
- RAL
- Special powder coating
-

Glass option see drw. 1009030-EME1

Glass code:
.....

Limitation

- If 10 mm glass FW x FH = max. 5,9 m²
- If 12 mm glass FW x FH = max. 5,4 m²

Installation

- Floor heating
- Other

Customer:
Door id:
Project No:

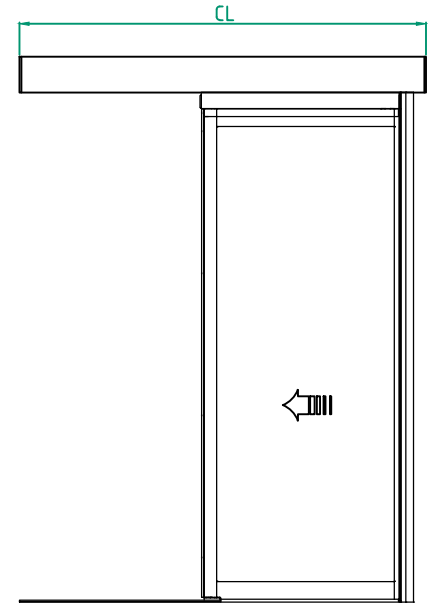
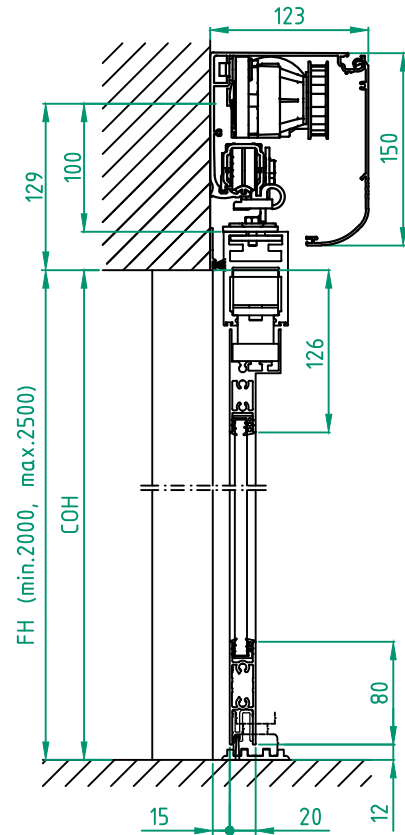
Ref:
Date:
Sign:

Profile system
EM PS-SRB 2 Panel wall mounted bipart
EM PSL150

ENTREMATI~~C~~

5.0 1009390-EME1

© All rights in and to this material are the sole property of Entrematic AB. Copying, scanning, alterations or modifications are expressly forbidden without the prior written consent of Entrematic AB. Rights reserved for changes without prior notice.



STATE WHEN ORDERING

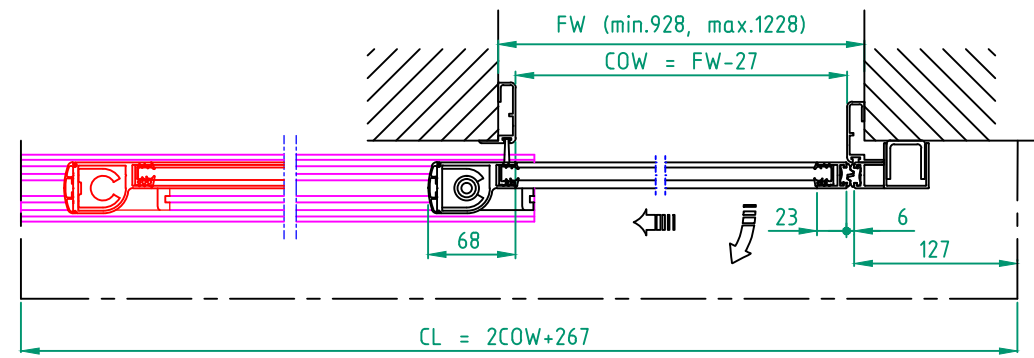
- FW = mm
- FH = mm
- COW = mm
- COH = mm
- CL = mm

- Surface treatment**
- Silver anodized
 - Special anodized
 - RAL
 - Special powder coating
 -

Glass option see drw. 1009030-EME1
Glass code:

Limitation
 If 10 mm glass FW x FH = max. 3,0 m²
 If 12 mm glass FW x FH = max. 2,7 m²

- Installation**
- Floor heating
 - Other



Customer:
Door id:
Project No:

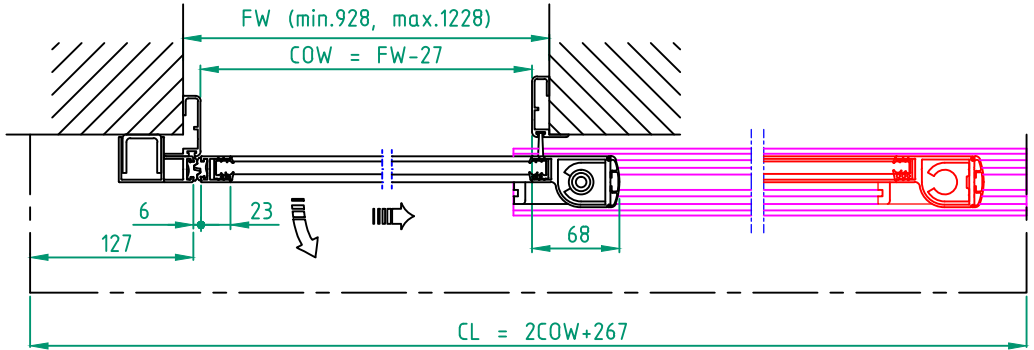
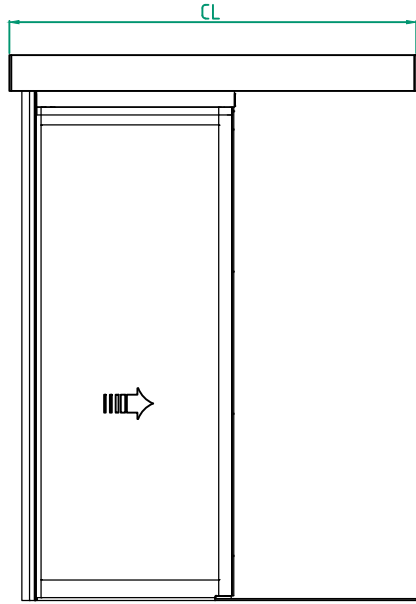
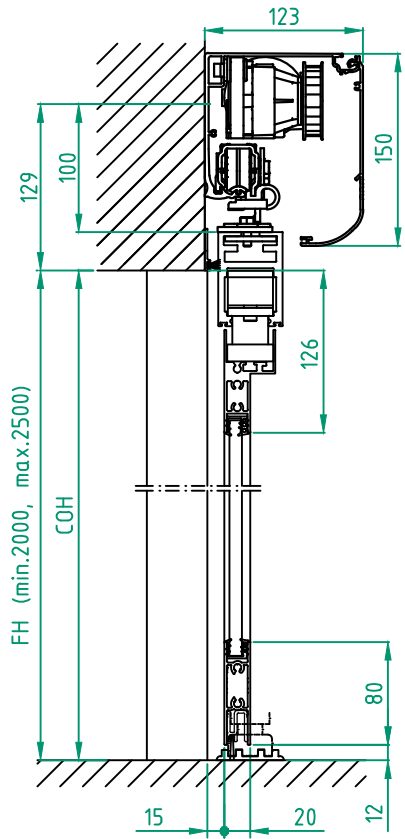
Ref:
Date:
Sign:

Profile system
 EM PS-SRB 1 Panel wall mounted opening left
 EM PSL150

ENTREMATIC

5.0 1009390-EME1

© All rights in and to this material are the sole property of Entrematic AB. Copying, scanning, alterations or modifications are expressly forbidden without the prior written consent of Entrematic AB. Rights reserved for changes without prior notice.



STATE WHEN ORDERING

FW = mm
 FH = mm
 COW = mm
 COH = mm
 CL = mm

Surface treatment
 Silver anodized
 Special anodized
 RAL
 Special powder coating

Glass option see drw. 1009030-EME1
 Glass code:

Limitation
 If 10 mm glass FW x FH = max. 3,0 m²
 If 12 mm glass FW x FH = max. 2,7 m²

Installation
 Floor heating
 Other

Customer: _____
 Door id: _____
 Project No: _____

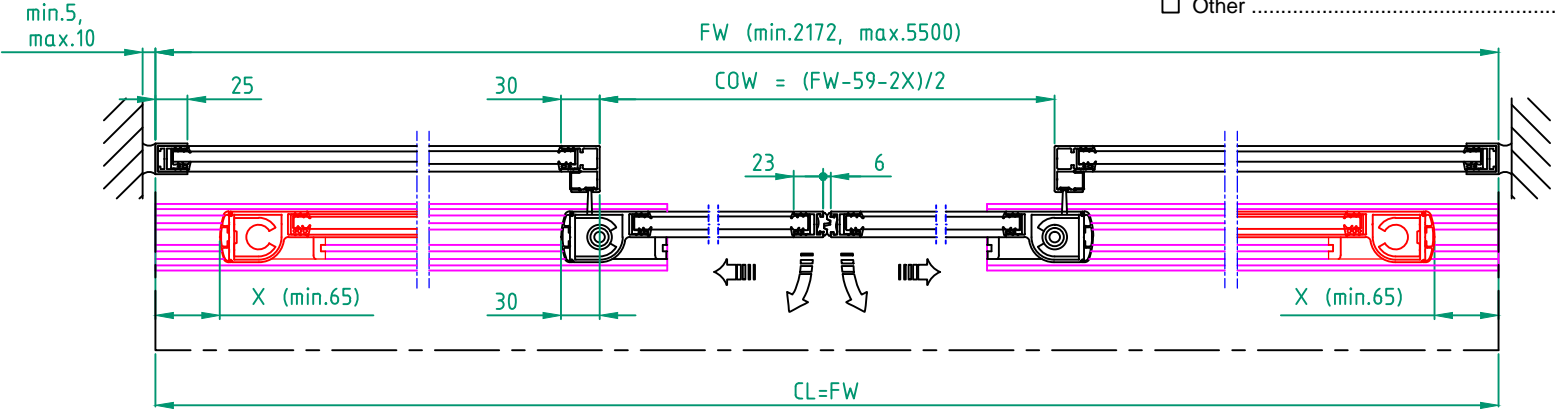
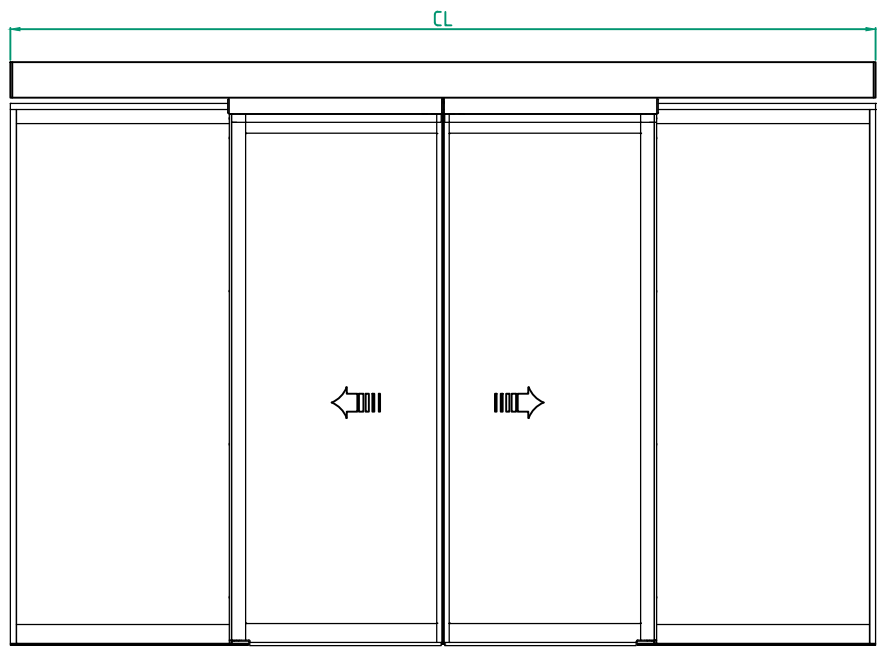
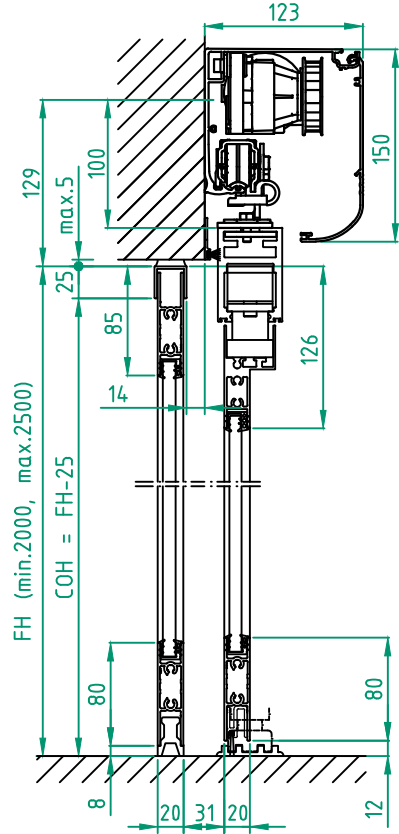
Ref: _____
 Date: _____
 Sign: _____

Profile system
 EM PS-SRB 1 Panel wall mounted opening right
 EM PSL150

ENTRE/MATIC

5.0 1009390-EME1

© All rights in and to this material are the sole property of Entrematic AB. Copying, scanning, alterations or modifications are expressly forbidden without the prior written consent of Entrematic AB. Rights reserved for changes without prior notice.



STATE WHEN ORDERING

- FW = mm
- FH = mm
- X = mm
- COW = mm
- COH = mm
- CL = mm

Surface treatment

- Silver anodized
- Special anodized
- RAL
- Special powder coating

Glass option see drw. 1009030-EME1

Glass code:

Limitation

- If 10 mm glass FW x FH = max. 12,5 m²
- If 12 mm glass FW x FH = max. 11,5 m²

Installation

- Floor heating
- Other

Customer: _____

Door id: _____

Project No: _____

Ref: _____

Date: _____

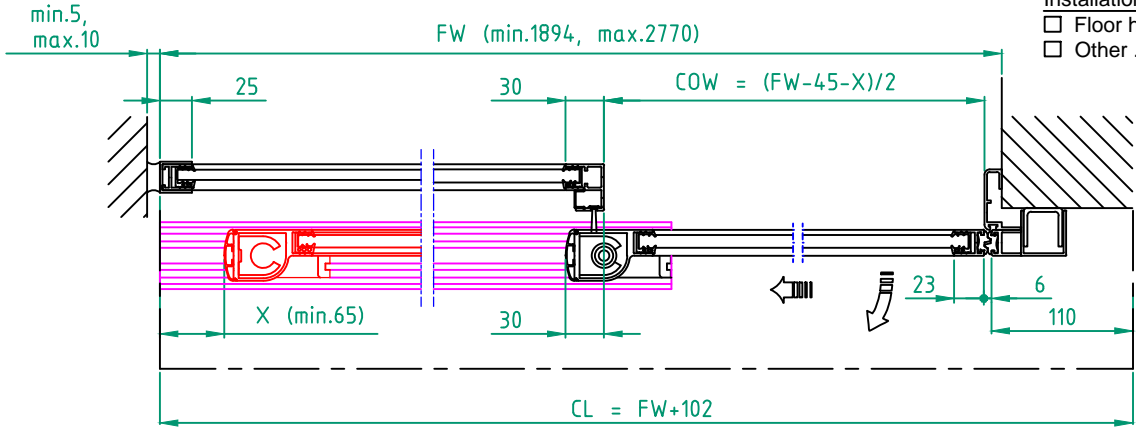
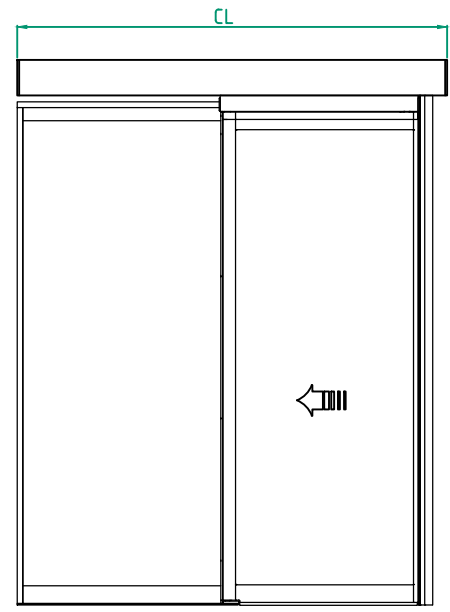
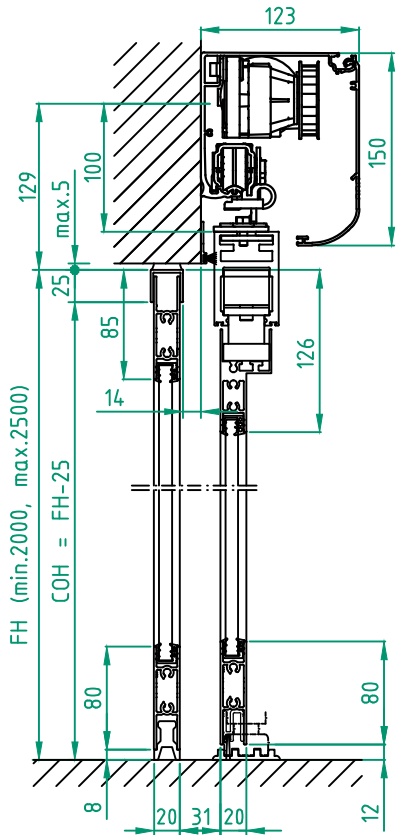
Sign: _____

Profile system
EM PS-SRB 4 Panel wall mounted
EM PSL150

ENTREMATI~~C~~

5.0 1009390-EME1

© All rights in and to this material are the sole property of Entrematic AB. Copying, scanning, alterations or modifications are expressly forbidden without the prior written consent of Entrematic AB. Rights reserved for changes without prior notice.



STATE WHEN ORDERING

- FW = mm
- FH = mm
- X = mm
- COW = mm
- COH = mm
- CL = mm

Surface treatment

- Silver anodized
- Special anodized
- RAL
- Special powder coating

Glass option see drw. 1009030-EME1

Glass code:

Limitation

- If 10 mm glass FW x FH = max. 6,3 m²
- If 12 mm glass FW x FH = max. 5,8 m²

Installation

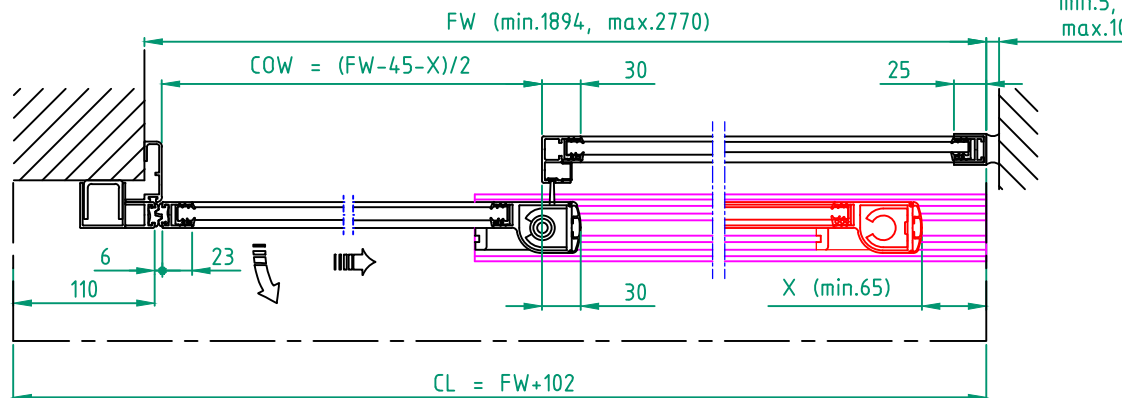
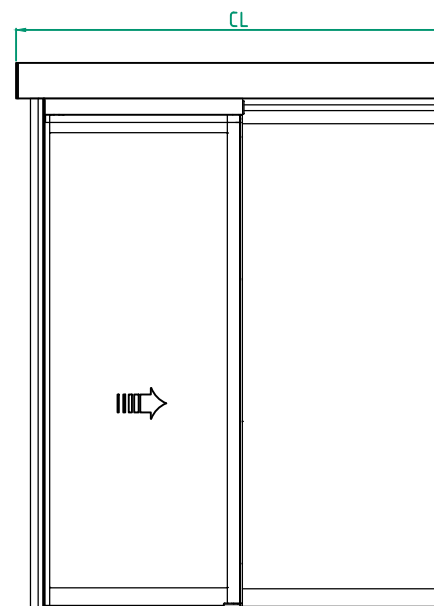
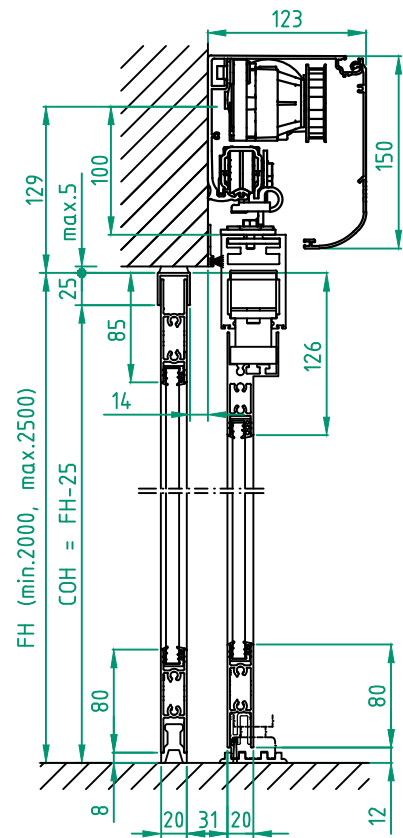
- Floor heating
- Other

Customer:	Ref:
Door id:	Date:
Project No:	Sign:

Profile system
EM PS-SRB 2 Panel wall mounted opening left
EM PSL150

ENTRE/MATIC

5.0 1009390-EME1



STATE WHEN ORDERING

FW = mm
 FH = mm
 X = mm
 COW = mm
 COH = mm
 CL = mm

Surface treatment

Silver anodized
 Special anodized
 RAL
 Special powder coating

Glass option see drw. 1009030-EME1

Glass code:

Limitation

If 10 mm glass FW x FH = max. 6,3 m²
 If 12 mm glass FW x FH = max. 5,8 m²

Installation

Floor heating
 Other
 min.5,
 max.10

Customer:

Ref:

Door id:

Date:

Project No:

Sign:

Profile system
 EM PS-SRB 2 Panel wall mounted opening right
 EM PSL150

ENTREMATIC

5.0 1009390-EME1