

STATE WHEN ORDERING

FW = mm
 FH = mm
 COW = mm
 COH = mm
 CL = mm

Surface treatment

- Silver anodized
- Special anodized
- RAL
- Special powder coating

Options see layers:

- Alternative F (concrete/brick)
- Alternative U (aluminium/steel)

Glass option see drw. 1009030-EME1

Glass code:

Installation

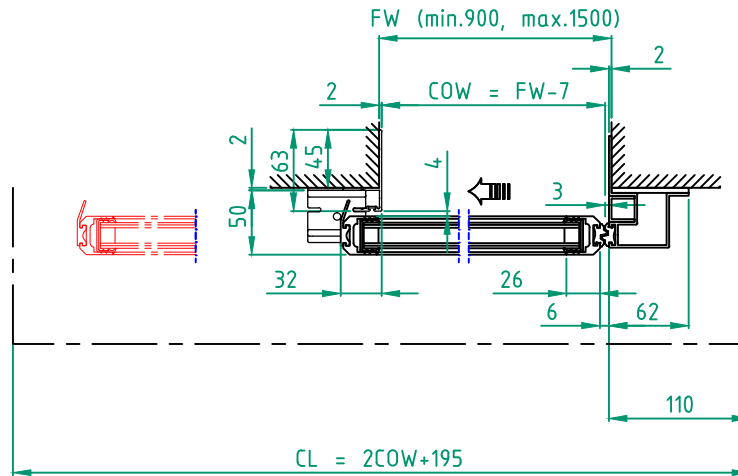
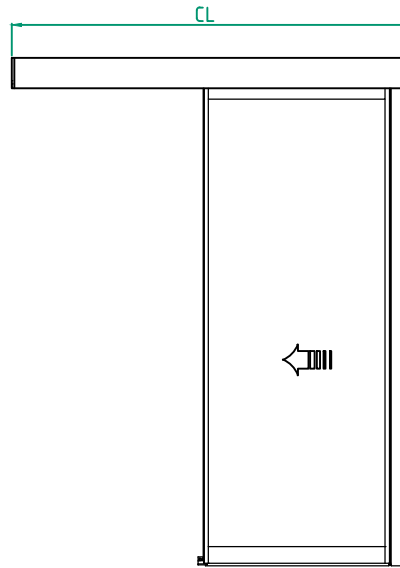
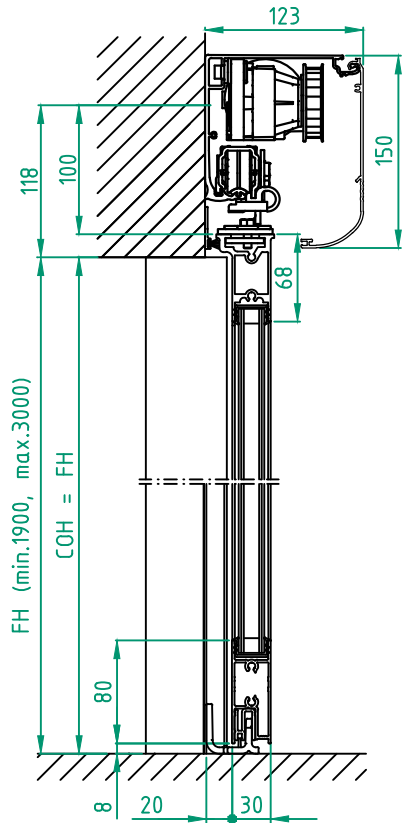
- Floor heating
- Other

Customer: _____
 Door id: _____
 Project No: _____

Ref: _____
 Date: _____
 Sign: _____

Profile system
 EM PS Thermo 2 Panel wall mounted bipart
 EM PSL150

ENTRE MATIC
 6.0 1009391-EME1



STATE WHEN ORDERING

FW = mm
 FH = mm
 COW = mm
 COH = mm
 CL = mm

Surface treatment

- Silver anodized
- Special anodized
- RAL
- Special powder coating

Options see layers:

- Alternative F (concrete/brick)
- Alternative U (aluminium/steel)

Glass option see drw. 1009030-EME1

Glass code:

Installation

- Floor heating
- Other

Customer:

Ref:

Door id:

Date:

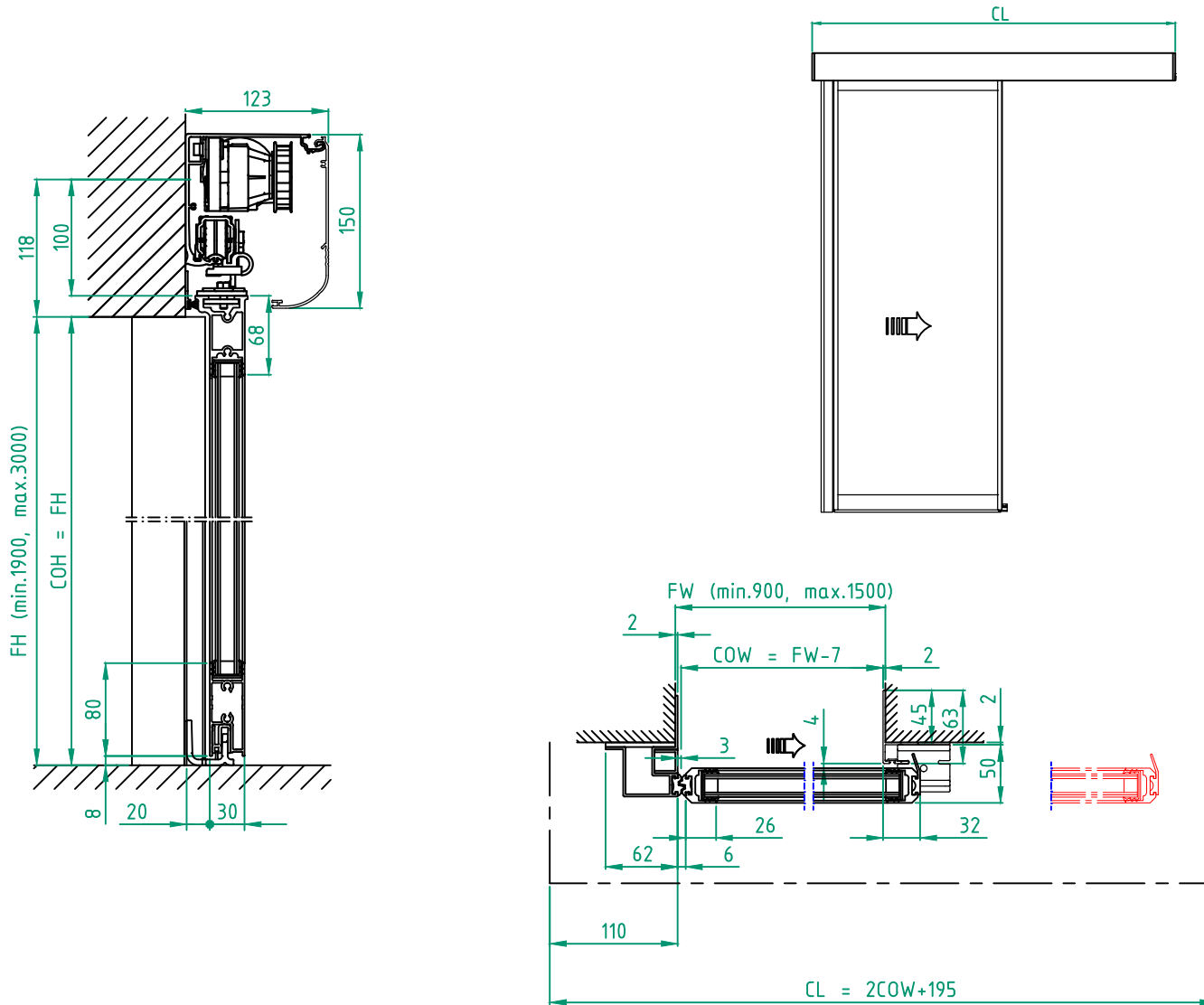
Project No:

Sign:

Profile system
 EM PS Thermo 1 Panel wall mounted opening left
 EM PSL150

ENTRE MATIC

6.0 1009391-EME1



STATE WHEN ORDERING

FW = mm
 FH = mm
 COW = mm
 COH = mm
 CL = mm

Surface treatment

- Silver anodized
- Special anodized
- RAL
- Special powder coating
-

Options see layers:

- Alternative F (concrete/brick)
- Alternative U (aluminium/steel)

Glass option see drw. 1009030-EME1

Glass code:

.....

Installation

- Floor heating
- Other

Customer:

Ref:

Door id:

Date:

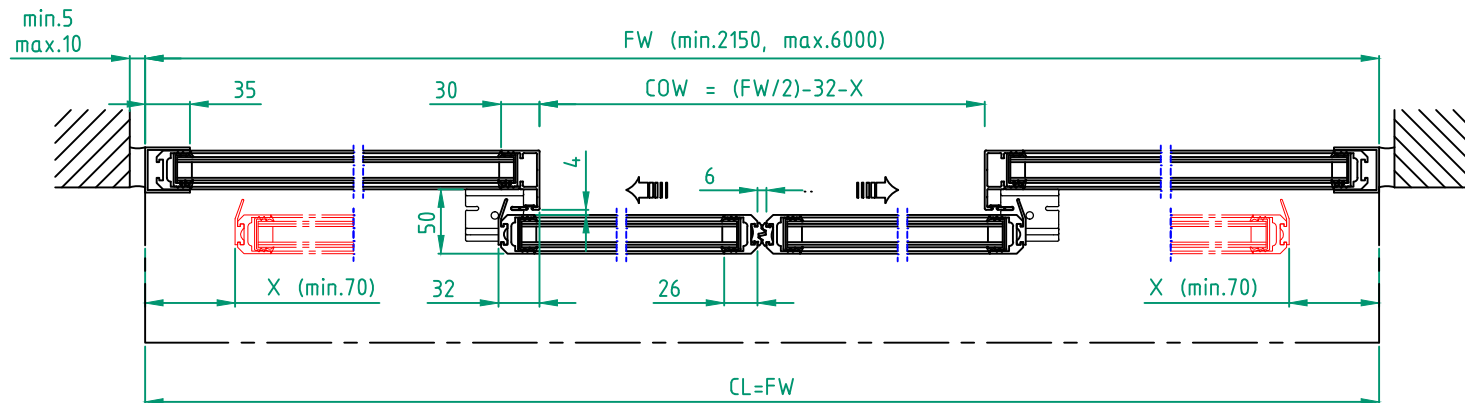
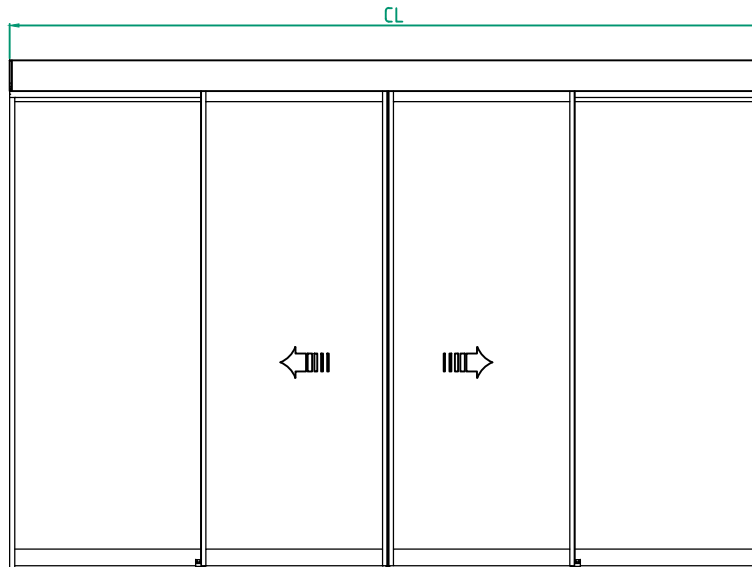
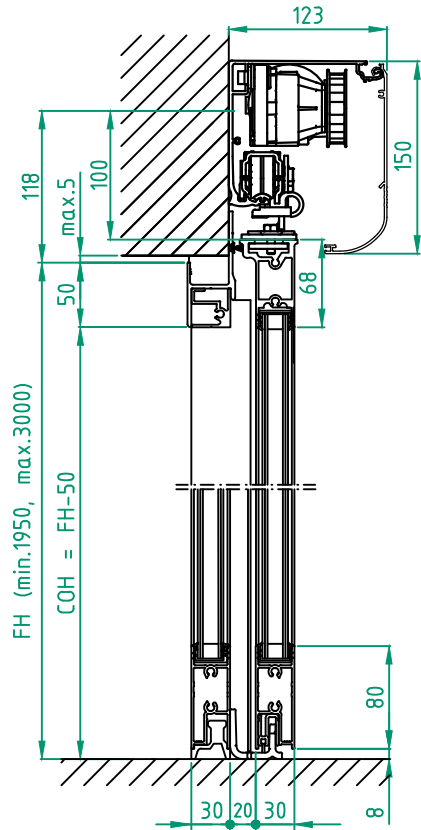
Project No:

Sign:

Profile system
 EM PS Thermo 1 Panel wall mounted opening right
 EM PSL150

ENTRE MATIC

6.0 1009391-EME1



STATE WHEN ORDERING

FW = mm
 FH = mm
 X = mm
 COW = mm
 COH = mm
 CL = mm

Surface treatment

Silver anodized
 Special anodized
 RAL
 Special powder coating

Glass option see drw. 1009030-EME1

Glass code:

Installation

Floor heating
 Other

Customer:

Ref:

Door id:

Date:

Project No:

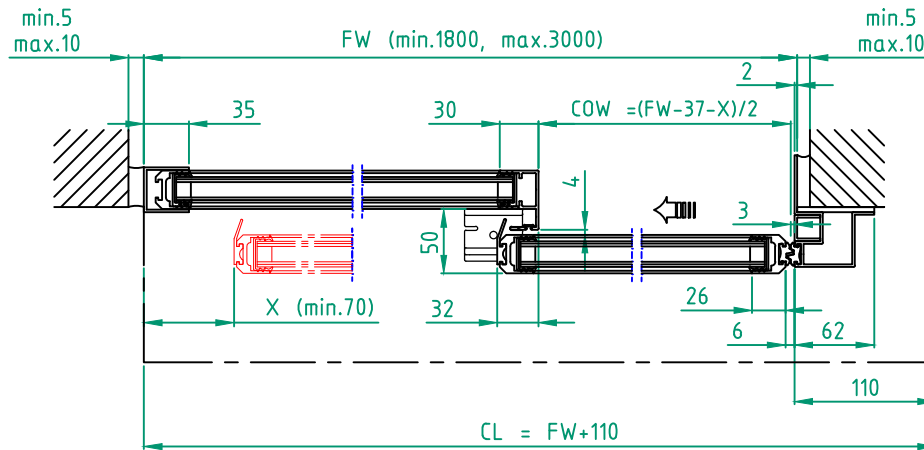
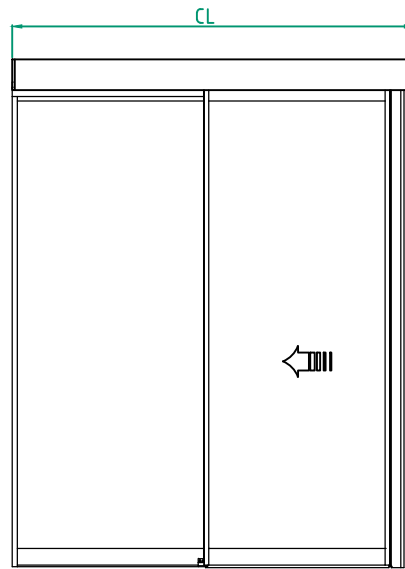
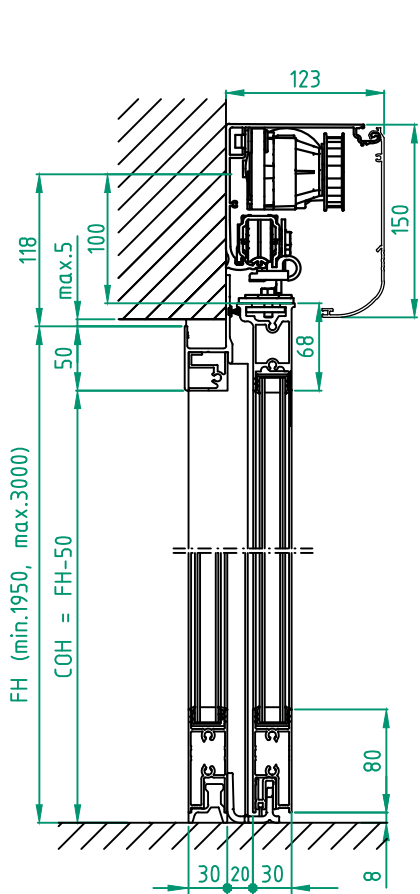
Sign:

Profile system
 EM PS Thermo 4 Panel wall mounted
 EM PSL150

ENTRE/MATIC

6.0 1009391-EME1

© All rights in and to this material are the sole property of Entrematic AB. Copying, scanning, alterations or modifications are expressly forbidden without the prior written consent of Entrematic AB. Rights reserved for changes without prior notice.



STATE WHEN ORDERING

- FW = mm
- FH = mm
- X = mm
- COW = mm
- COH = mm
- CL = mm

Surface treatment

- Silver anodized
- Special anodized
- RAL
- Special powder coating
-

Options see layers:

- Alternative F (concrete/brick)
- Alternative U (aluminium/steel)

Glass option see drw. 1009030-EME1

Glass code:
.....

Installation

- Floor heating
- Other

Customer: _____

Door id: _____

Project No: _____

Ref: _____

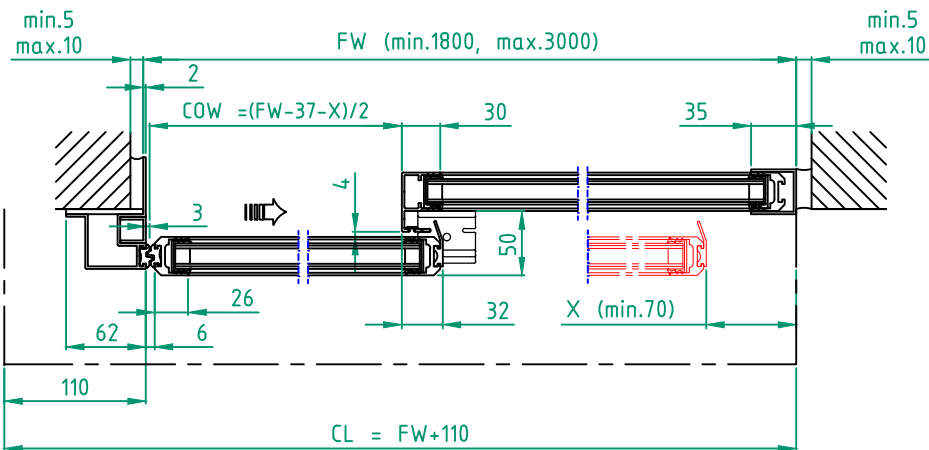
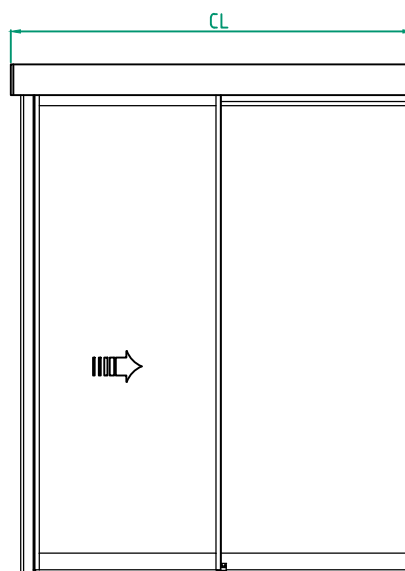
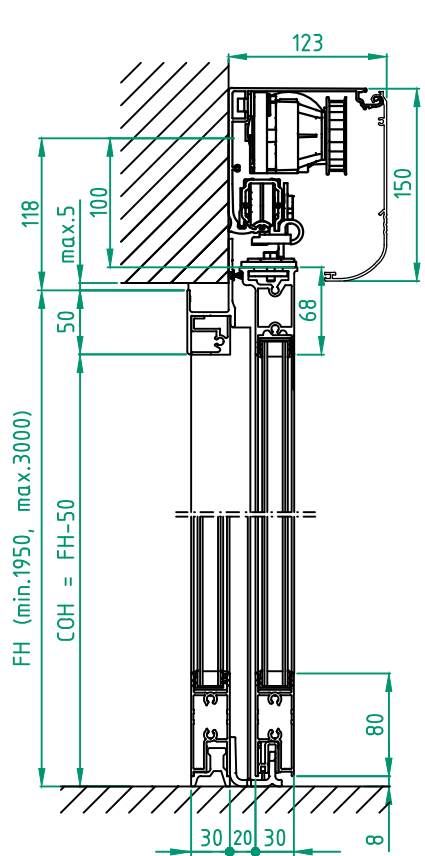
Date: _____

Sign: _____

Profile system
 EM PS Thermo 2 Panel wall mounted opening left
 EM PSL150

ENTRE MATIC

6.0
1009391-EME1



STATE WHEN ORDERING

FW = mm
 FH = mm
 X = mm
 COW = mm
 COH = mm
 CL = mm

Surface treatment

- Silver anodized
- Special anodized
- RAL
- Special powder coating
-

Options see layers:

- Alternative F (concrete/brick)
- Alternative U (aluminium/steel)

Glass option see draw. 1009030-EME1

Glass code:

Installation

- Floor heating
- Other

Customer:

Ref:

Door id:

Date:

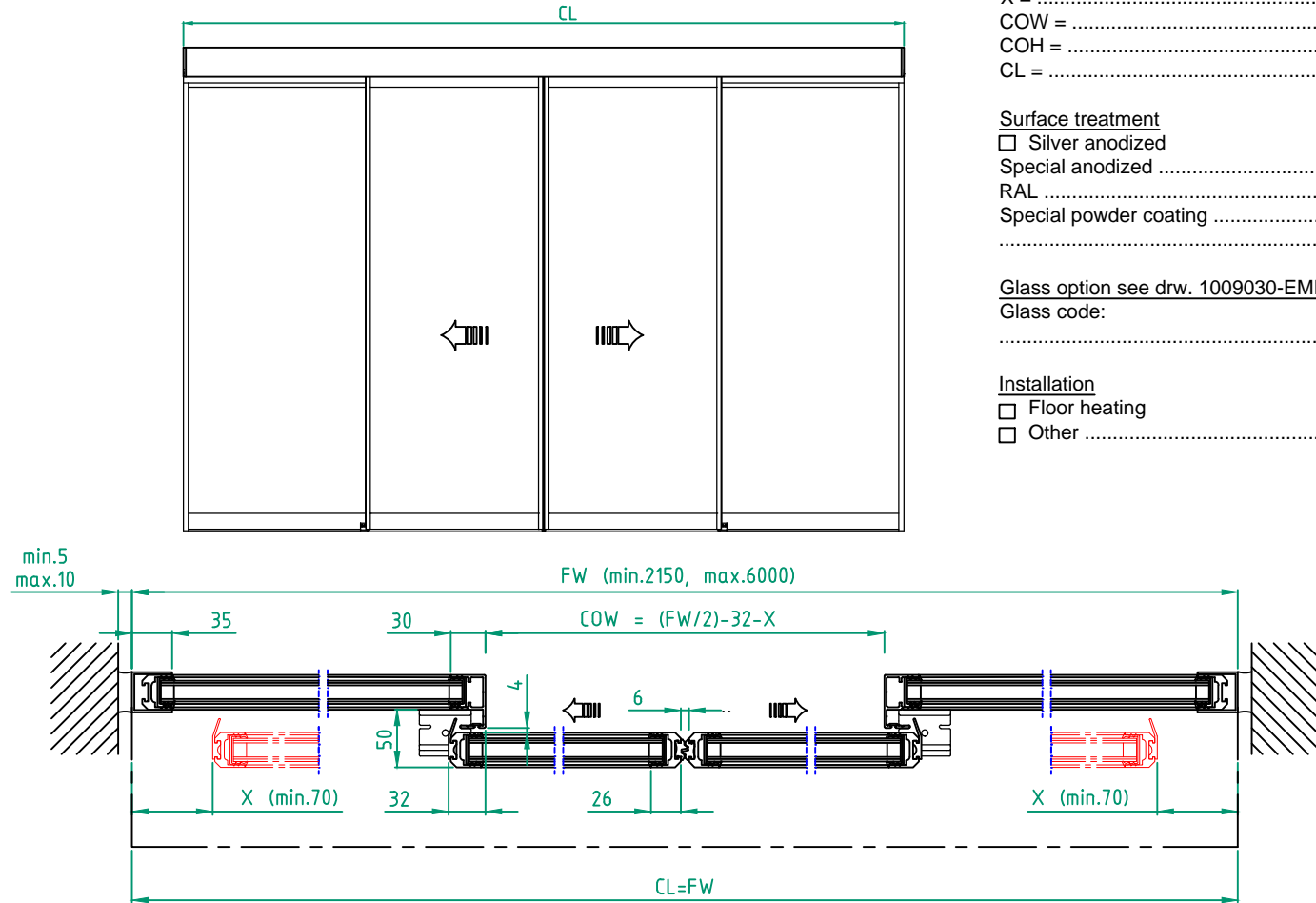
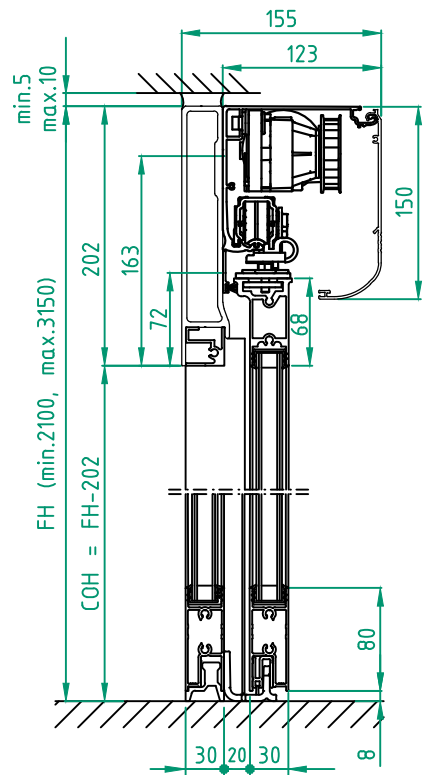
Project No:

Sign:

Profile system
 EM PS Thermo 2 Panel wall mounted opening right
 EM PSL150

ENTRE/MATIC

6.0 1009391-EME1



STATE WHEN ORDERING

FW = mm
 FH = mm
 X = mm
 COW = mm
 COH = mm
 CL = mm

Surface treatment

Silver anodized
 Special anodized
 RAL
 Special powder coating

Glass option see drw. 1009030-EME1

Glass code:

Installation

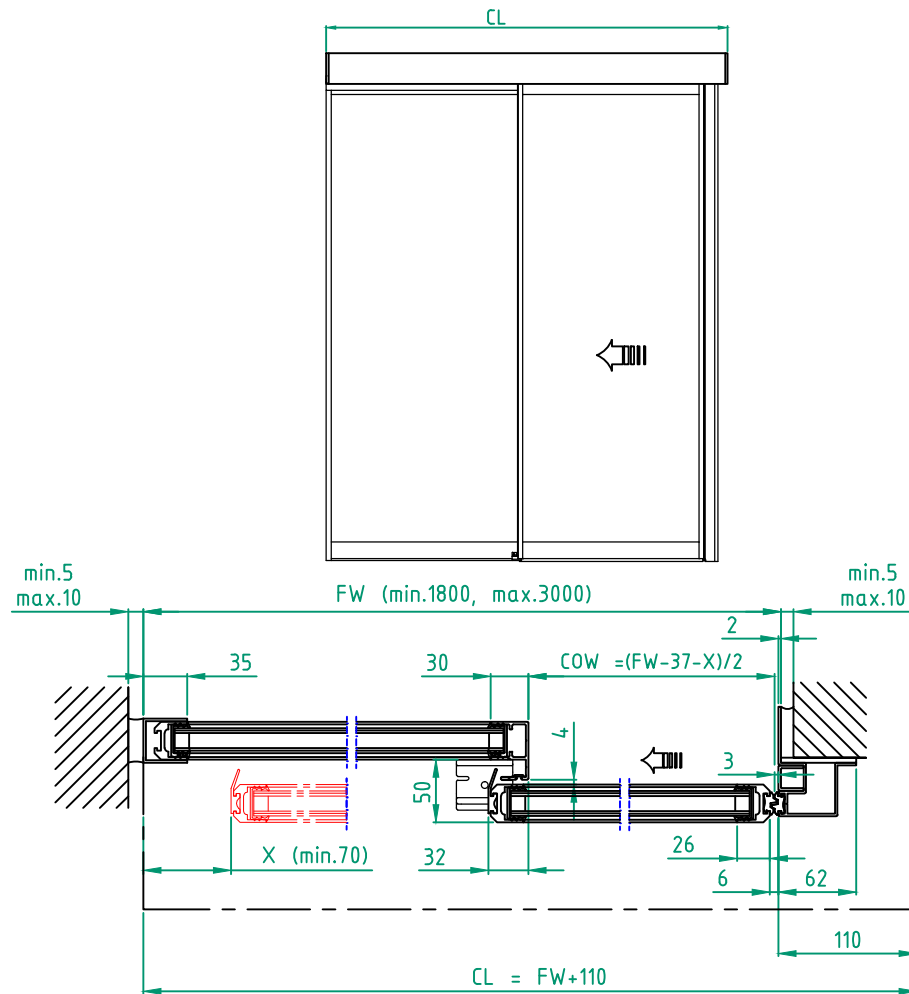
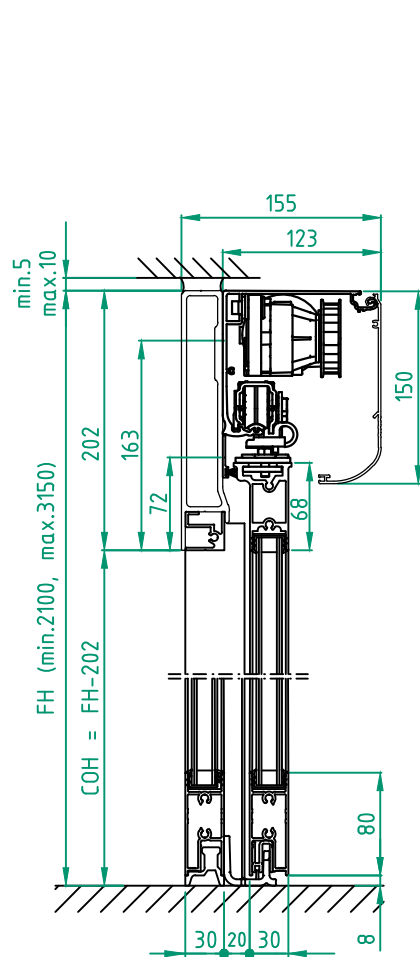
Floor heating
 Other

Customer: _____
 Door id: _____
 Project No: _____

Ref: _____
 Date: _____
 Sign: _____

Profile system
 EM PS Thermo 4 Panel beam mounted
 EM PSL150

ENTRE/MATIC
 6.0 1009391-EME1



STATE WHEN ORDERING

FW = mm
 FH = mm
 X = mm
 COW = mm
 COH = mm
 CL = mm

Surface treatment

- Silver anodized
- Special anodized
- RAL
- Special powder coating

Options see layers:

- Alternative F (concrete/brick)
- Alternative U (aluminium/steel)

Glass option see drw. 1009030-EME1

Glass code:

Installation

- Floor heating
- Other

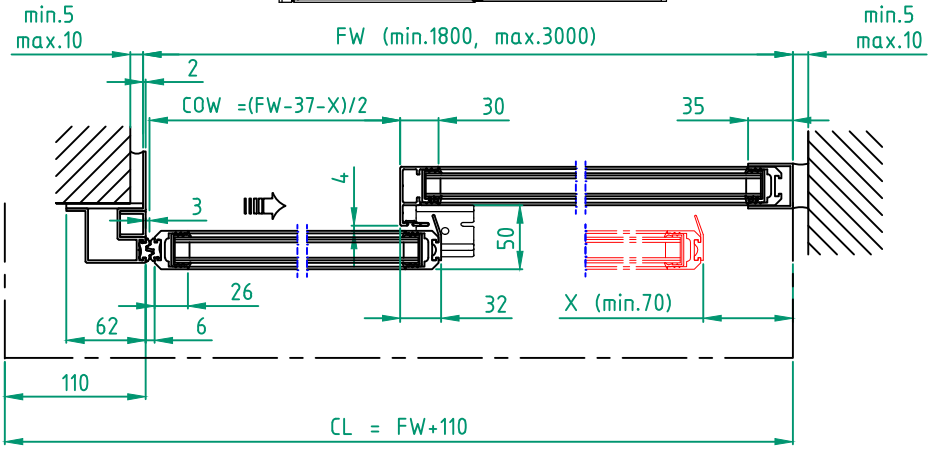
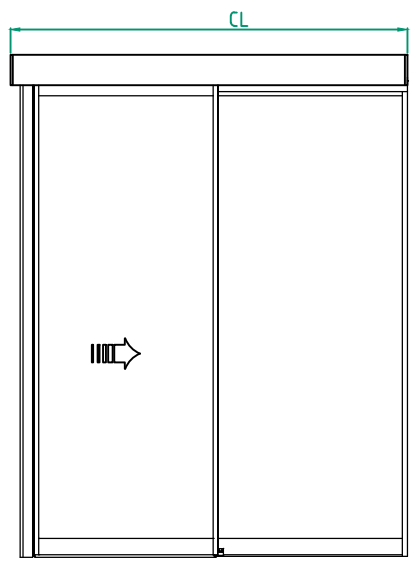
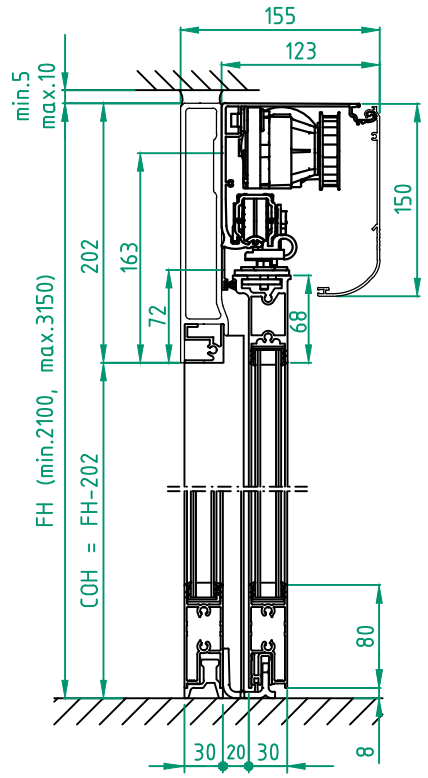
Customer: _____
 Door id: _____
 Project No: _____

Ref: _____
 Date: _____
 Sign: _____

Profile system
 EM PS Thermo 2 Panel beam mounted opening left
 EM PSL150

ENTRE MATIC
 6.0 1009391-EME1

© All rights in and to this material are the sole property of Entrematic AB. Copying, scanning, alterations or modifications are expressly forbidden without the prior written consent of Entrematic AB. Rights reserved for changes without prior notice.



STATE WHEN ORDERING

- FW = mm
- FH = mm
- X = mm
- COW = mm
- COH = mm
- CL = mm

Surface treatment

- Silver anodized
- Special anodized
- RAL
- Special powder coating
-

Options see layers:

- Alternative F (concrete/brick)
- Alternative U (aluminium/steel)

Glass option see drw. 1009030-EME1

Glass code:

Installation

- Floor heating
- Other

Customer: _____

Door id: _____

Project No: _____

Ref: _____

Date: _____

Sign: _____

Profile system
EM PS Thermo 2 Panel beam mounted opening right
EM PSL150

ENTRE MATIC

6.0 1009391-EME1