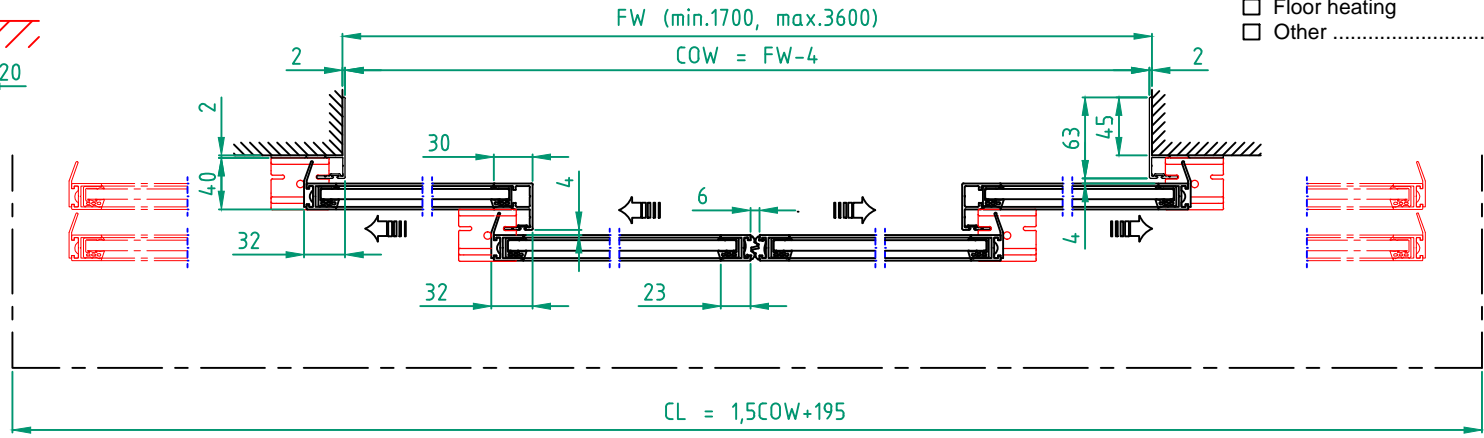
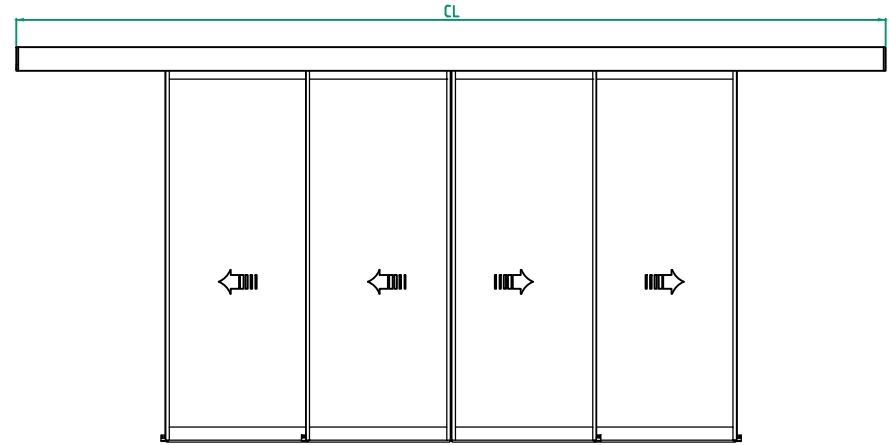
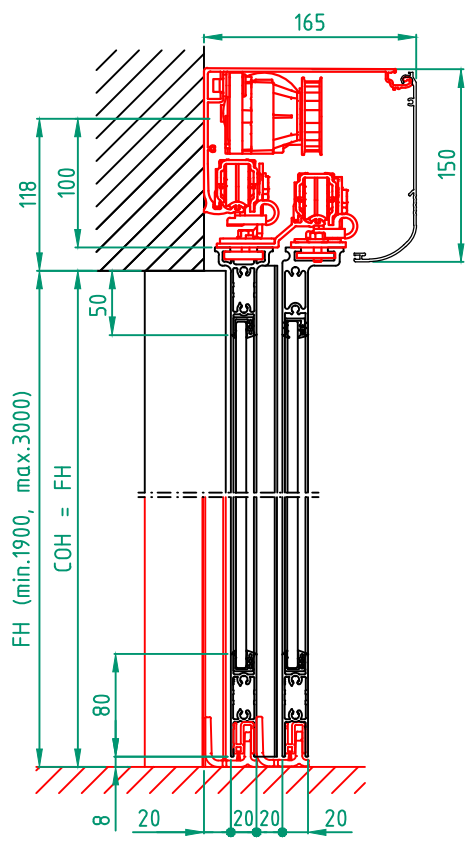


© All rights in and to this material are the sole property of Entrematic AB. Rights reserved for changes without prior notice. Copying, scanning, alterations or modifications are expressly forbidden without the prior written consent of Entrematic AB.



**STATE WHEN ORDERING**

- FW = ..... mm
- FH = ..... mm
- COW = ..... mm
- COH = ..... mm
- CL = ..... mm

**Surface treatment**

- Silver anodized
- Special anodized .....
- RAL .....
- Special powder coating .....

**Options see layers:**

- Alternative F (concrete/brick)
- Alternative U (aluminium/steel)
- Threshold floor guide, L = 1,5FW+58

**Glass option see drw. 1009030-EME1**

Glass code: .....

**Limitation**

If 12 mm glass FW x FH = max. 10,2 m<sup>2</sup>

**Installation**

- Floor heating
- Other .....

Customer:
Door id:
Project No:

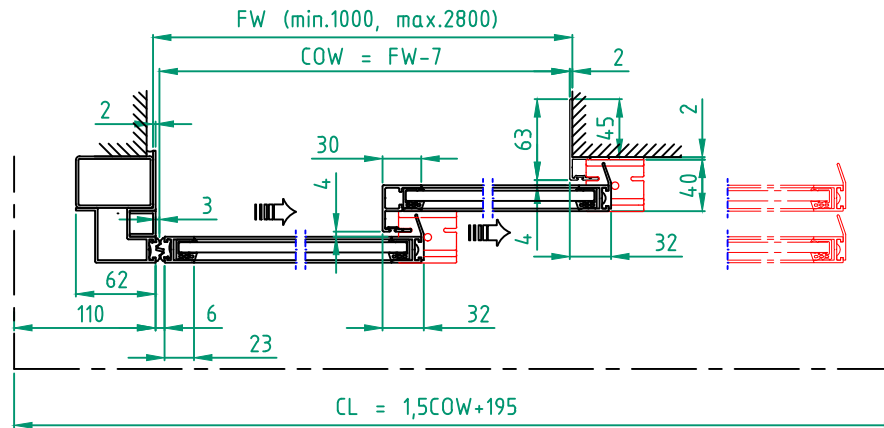
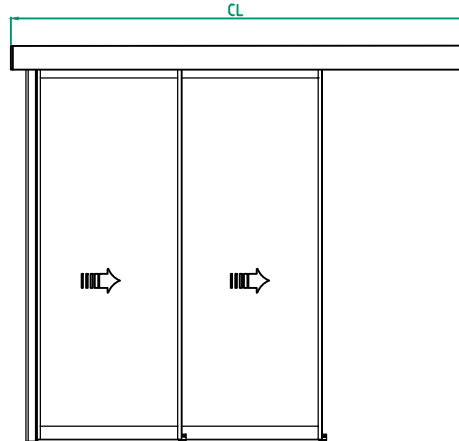
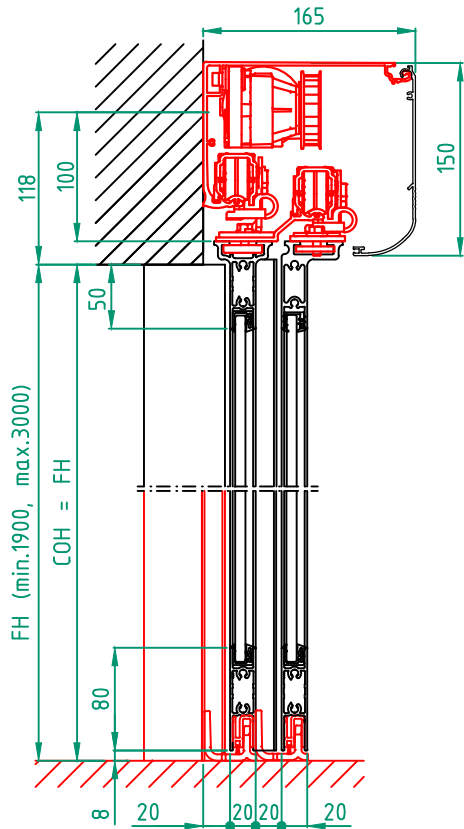
Ref:
Date:
Sign:

Profile system  
EM PS-T 4 Panel wall mounted bipart  
EM PSL150-T

**ENTREMATIC**

5.0 1009388-EME1





**STATE WHEN ORDERING**

FW = ..... mm  
 FH = ..... mm  
 COW = ..... mm  
 COH = ..... mm  
 CL = ..... mm

**Surface treatment**

Silver anodized  
 Special anodized .....  
 RAL .....  
 Special powder coating .....  
 .....

**Options see layers:**

Alternative F (concrete/brick)  
 Alternative U (aluminium/steel)  
 Threshold floor guide, L = 1,5FW+27

**Glass option see drw. 1009030-EME1**

Glass code:  
 .....

**Limitation**

If 8 mm glass FW x FH = max. 7,5 m<sup>2</sup>  
 If 10 mm glass FW x FH = max. 6,1 m<sup>2</sup>  
 If 12 mm glass FW x FH = max. 5,1 m<sup>2</sup>

**Installation**

Floor heating  
 Other .....

Customer: \_\_\_\_\_  
 Door id: \_\_\_\_\_  
 Project No: \_\_\_\_\_

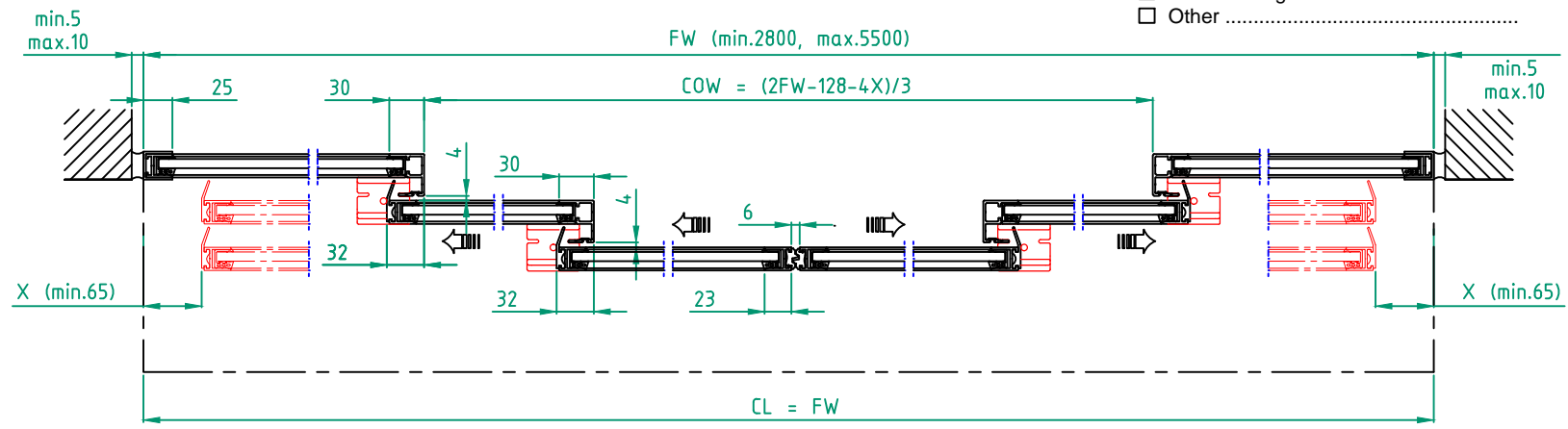
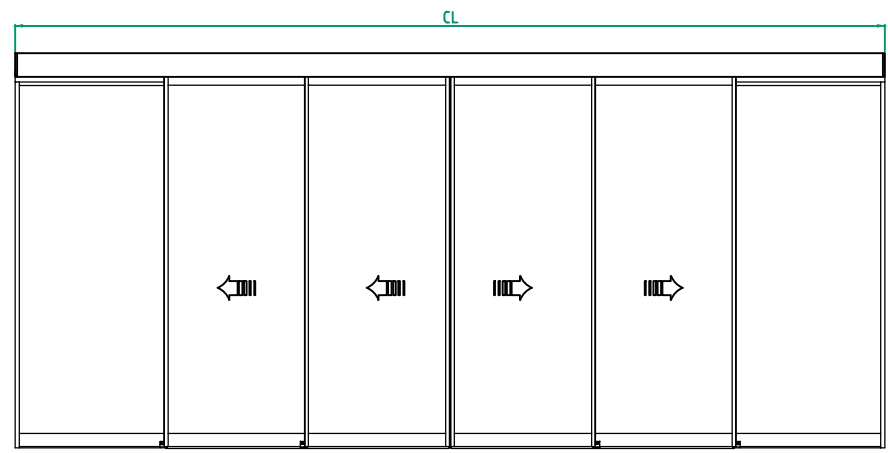
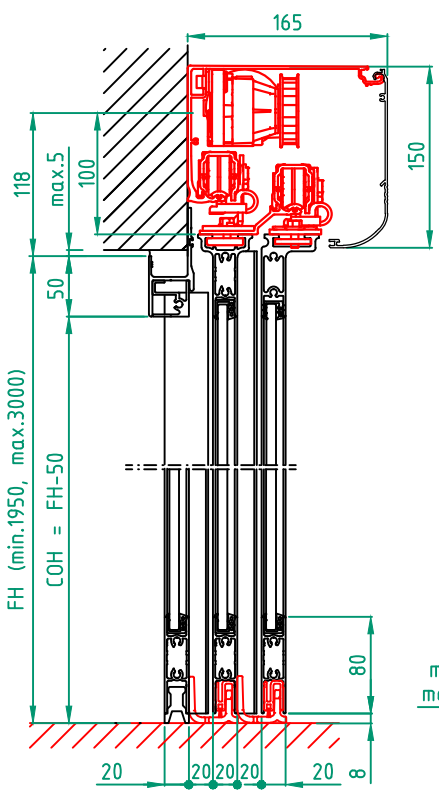
Ref: \_\_\_\_\_  
 Date: \_\_\_\_\_  
 Sign: \_\_\_\_\_

Profile system  
 EM PS-T 2 Panel wall mounted opening right  
 EM PSL150-T

**ENTREMATIC**

5.0 1009388-EME1

© All rights in and to this material are the sole property of Entrematic AB. Rights reserved for changes without prior notice. Copying, scanning, alterations or modifications are expressly forbidden without the prior written consent of Entrematic AB.



**STATE WHEN ORDERING**

- FW = ..... mm
- FH = ..... mm
- X = ..... mm
- COW = ..... mm
- COH = ..... mm
- CL = ..... mm

**Surface treatment**

- Silver anodized
- Special anodized .....
- RAL .....
- Special powder coating .....

**Options see layers:**

- Threshold floor guide, L = FW

Glass option see drw. 1009030-EME1

Glass code: .....

**Limitation**

If 12 mm glass FW x FH = max. 15,9 m<sup>2</sup>

**Installation**

- Floor heating
- Other .....

Customer:
Door id:
Project No:

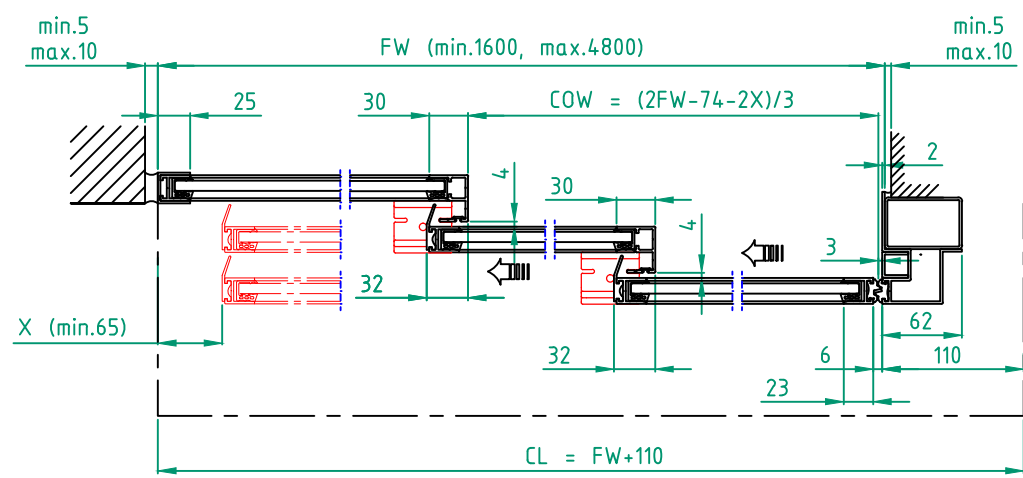
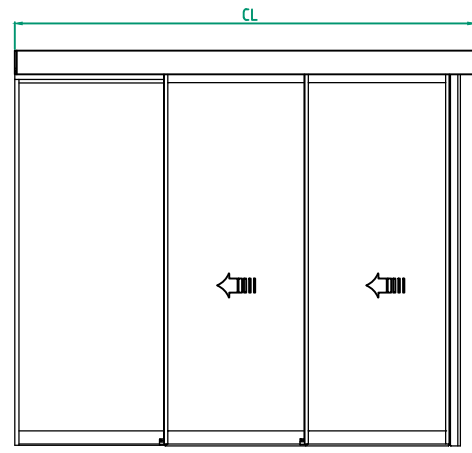
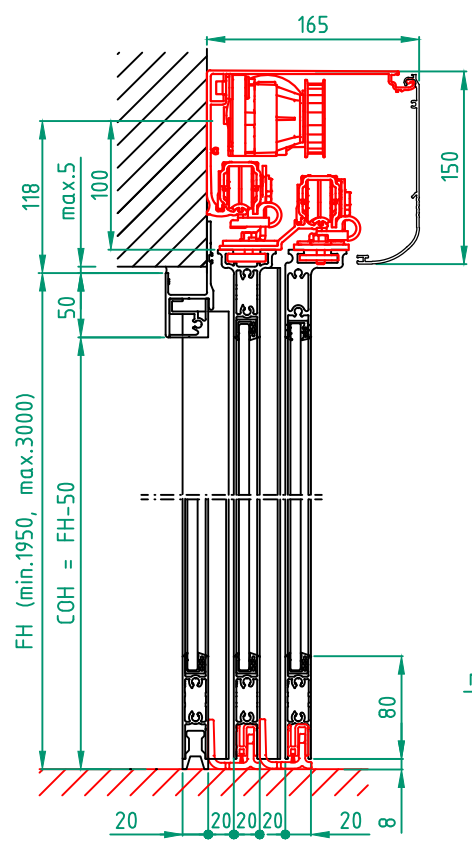
Ref:
Date:
Sign:

Profile system  
EM PS-T 6 Panel wall mounted  
EM PSL150-T

**ENTREMATI~~C~~**

5.0 1009388-EME1

© All rights in and to this material are the sole property of Entrematic AB. Rights reserved for changes without prior notice. Copying, scanning, alterations or modifications are expressly forbidden without the prior written consent of Entrematic AB.



**STATE WHEN ORDERING**

- FW = ..... mm
- FH = ..... mm
- X = ..... mm
- COW = ..... mm
- COH = ..... mm
- CL = ..... mm

- Surface treatment
- Silver anodized
  - Special anodized .....
  - RAL .....
  - Special powder coating .....

- Options see layers:
- Alternative F (concrete/brick)
  - Alternative U (aluminium/steel)
  - Threshold floor guide, L = FW

Glass option see drw. 1009030-EME1  
 Glass code: .....

Limitation  
 If 8 mm glass FW x FH = max. 11,5 m<sup>2</sup>  
 If 10 mm glass FW x FH = max. 9,4 m<sup>2</sup>  
 If 12 mm glass FW x FH = max. 7,9 m<sup>2</sup>

- Installation
- Floor heating
  - Other .....

Customer:
Door id:
Project No:

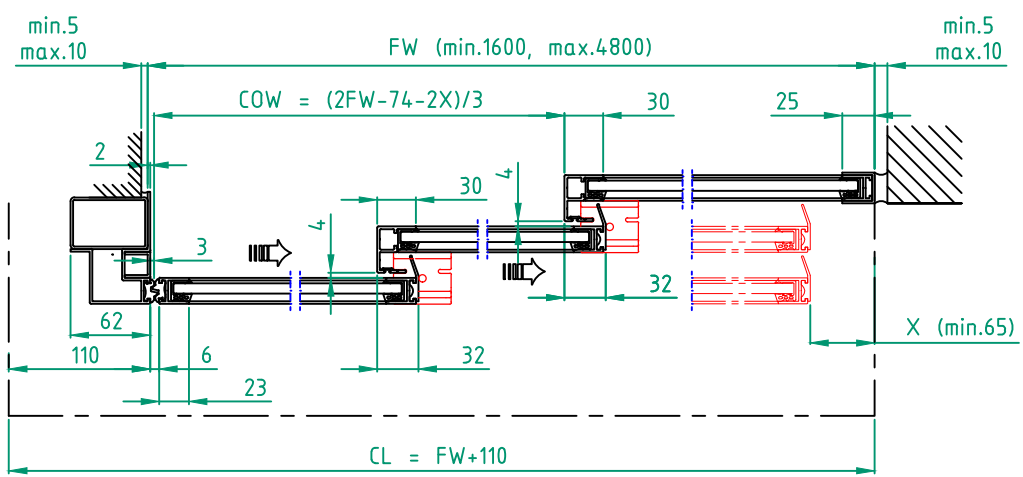
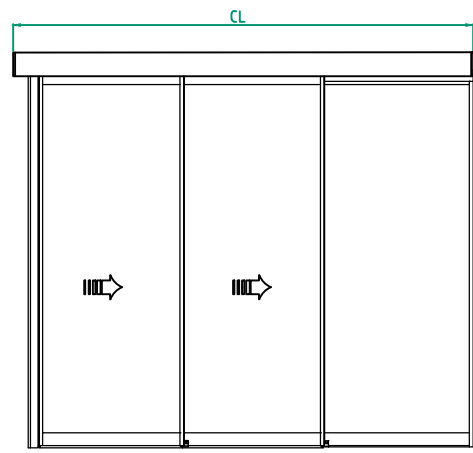
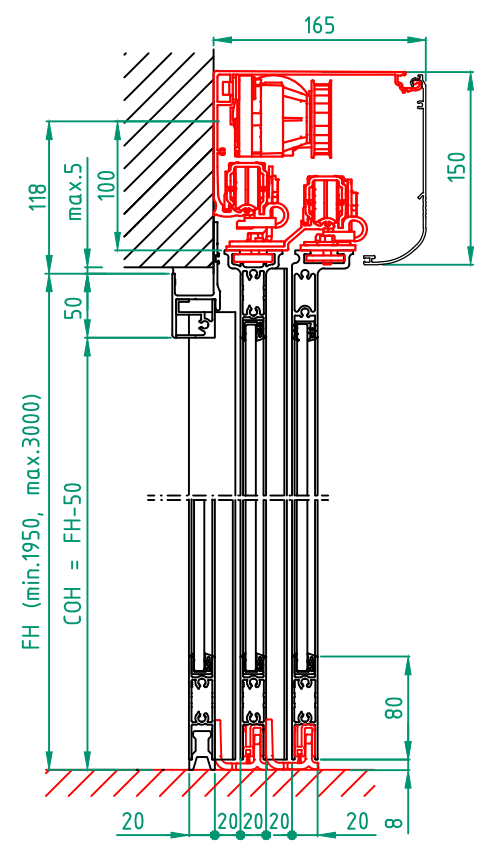
Ref:
Date:
Sign:

Profile system  
 EM PS-T 3 Panel wall mounted opening left  
 EM PSL150-T

**ENTRE/MATIC**

5.0 1009388-EME1

© All rights in and to this material are the sole property of Entrematic AB. Rights reserved for changes without prior notice. Copying, scanning, alterations or modifications are expressly forbidden without the prior written consent of Entrematic AB.



STATE WHEN ORDERING

FW = ..... mm  
 FH = ..... mm  
 X = ..... mm  
 COW = ..... mm  
 COH = ..... mm  
 CL = ..... mm

Surface treatment

Silver anodized  
 Special anodized .....  
 RAL .....  
 Special powder coating .....

Options see layers:

Alternative F (concrete/brick)  
 Alternative U (aluminium/steel)  
 Threshold floor guide, L = FW

Glass option see drw. 1009030-EME1  
 Glass code: .....

Limitation

If 8 mm glass FW x FH = max. 11,5 m<sup>2</sup>  
 If 10 mm glass FW x FH = max. 9,4 m<sup>2</sup>  
 If 12 mm glass FW x FH = max. 7,9 m<sup>2</sup>

Installation

Floor heating  
 Other .....

Customer: \_\_\_\_\_

Door id: \_\_\_\_\_

Project No: \_\_\_\_\_

Ref: \_\_\_\_\_

Date: \_\_\_\_\_

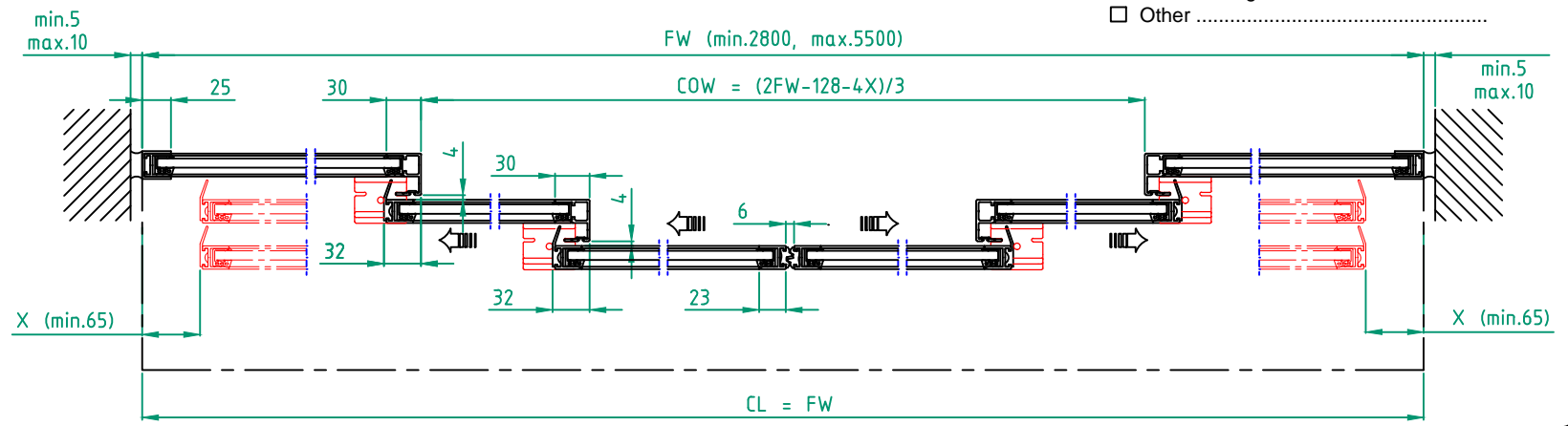
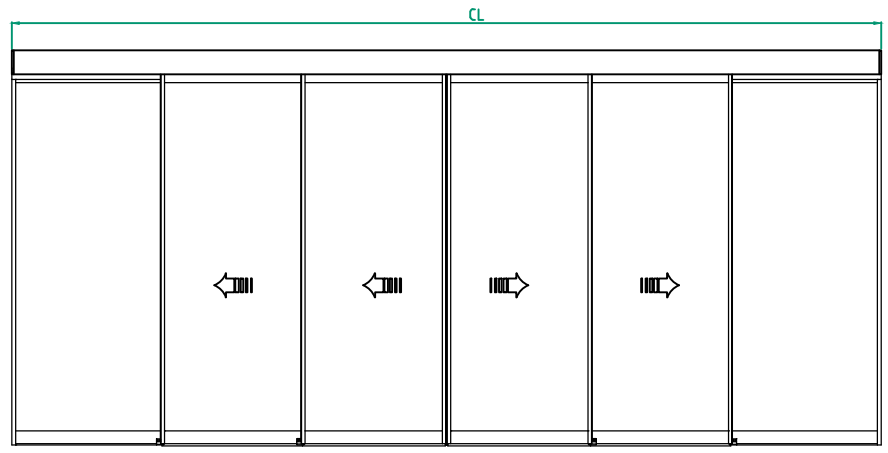
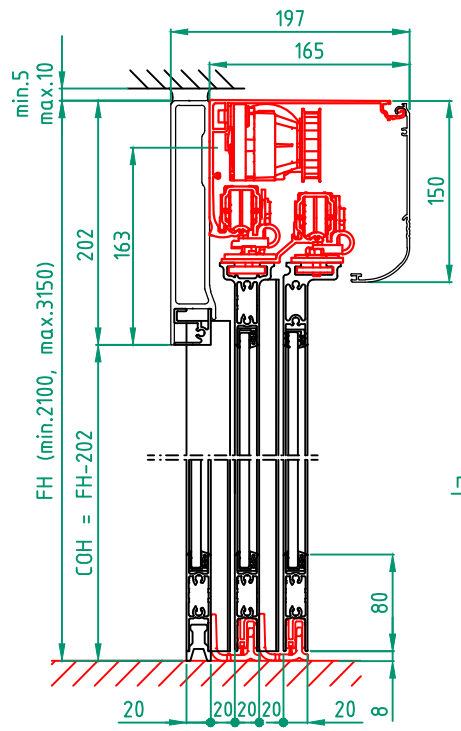
Sign: \_\_\_\_\_

Profile system  
 EM PS-T 3 Panel wall mounted opening right  
 EM PSL150-T

**ENTREMATIC**

5.0 1009388-EME1

© All rights in and to this material are the sole property of Entrematic AB. Rights reserved for changes without prior notice. Copying, scanning, alterations or modifications are expressly forbidden without the prior written consent of Entrematic AB.



**STATE WHEN ORDERING**

FW = ..... mm  
 FH = ..... mm  
 X = ..... mm  
 COW = ..... mm  
 COH = ..... mm  
 CL = ..... mm

**Surface treatment**

Silver anodized  
 Special anodized .....  
 RAL .....  
 Special powder coating .....  
 .....

**Options see layers:**

Threshold floor guide, L = FW

**Glass option see drw. 1009030-EME1**

Glass code:  
 .....

**Limitation**

If 12 mm glass FW x FH = max. 16,6 m<sup>2</sup>

**Installation**

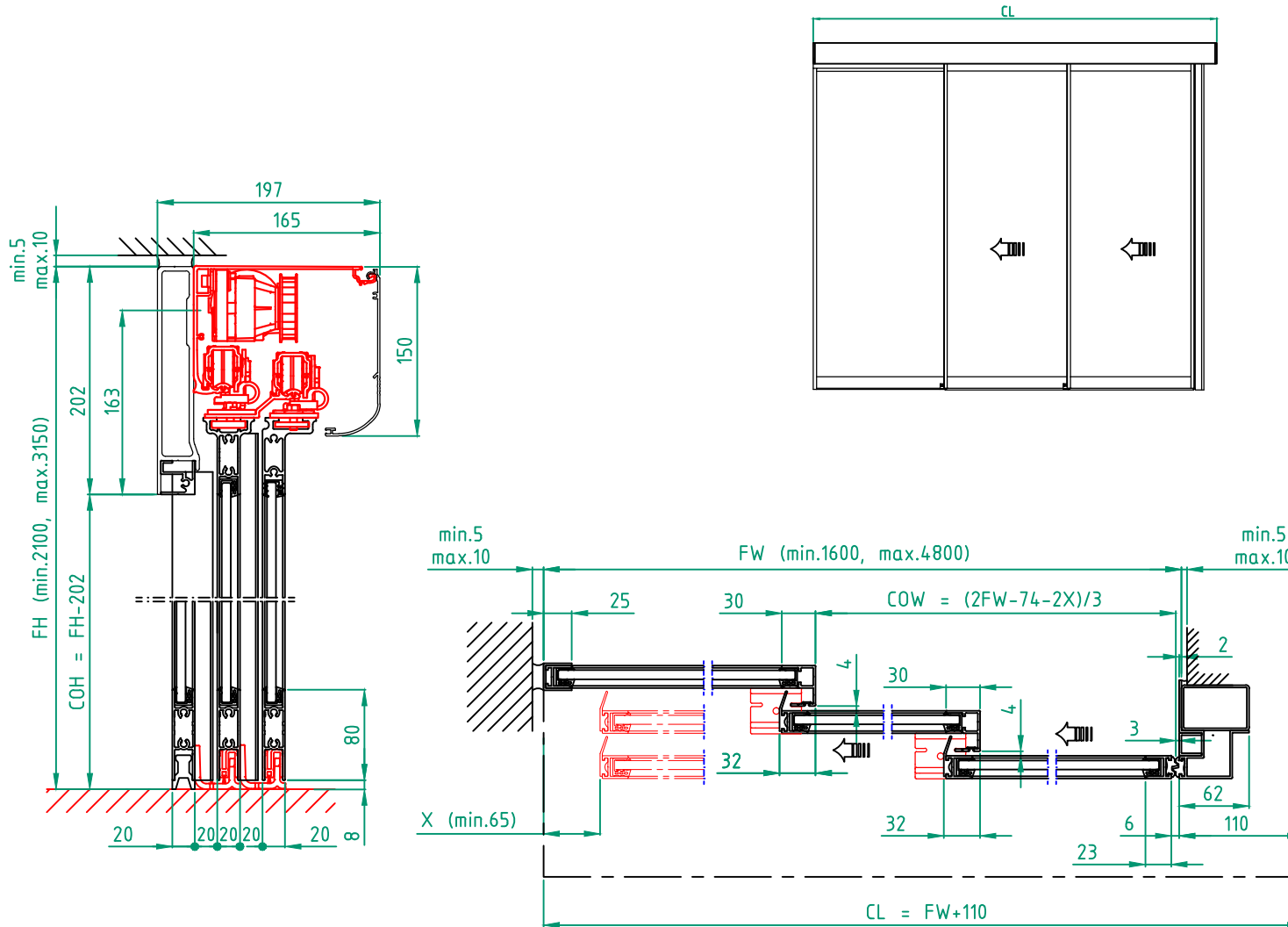
Floor heating  
 Other .....

Customer: \_\_\_\_\_  
 Door id: \_\_\_\_\_  
 Project No: \_\_\_\_\_

Ref: \_\_\_\_\_  
 Date: \_\_\_\_\_  
 Sign: \_\_\_\_\_

Profile system  
 EM PS-T 6 Panel beam mounted  
 EM PSL150-T

**ENTRE MATIC**  
 5.0 1009388-EME1



**STATE WHEN ORDERING**

FW = ..... mm  
 FH = ..... mm  
 X = ..... mm  
 COW = ..... mm  
 COH = ..... mm  
 CL = ..... mm

**Surface treatment**

- Silver anodized
- Special anodized .....
- RAL .....
- Special powder coating .....

**Options see layers:**

- Alternative F (concrete/brick)
- Alternative U (aluminium/steel)
- Threshold floor guide, L = FW

**Glass option see draw. 1009030-EME1**

Glass code:  
 .....

**Limitation**

If 8 mm glass FW x FH = max. 12,2 m<sup>2</sup>  
 If 10 mm glass FW x FH = max. 9,9 m<sup>2</sup>  
 If 12 mm glass FW x FH = max. 8,3 m<sup>2</sup>

**Installation**

- Floor heating
- Other .....

Customer:
Door id:
Project No:

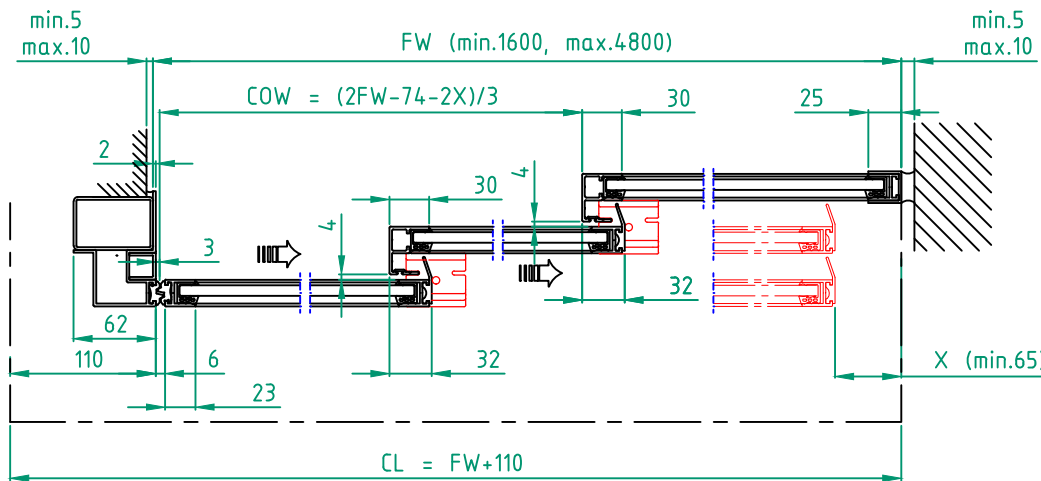
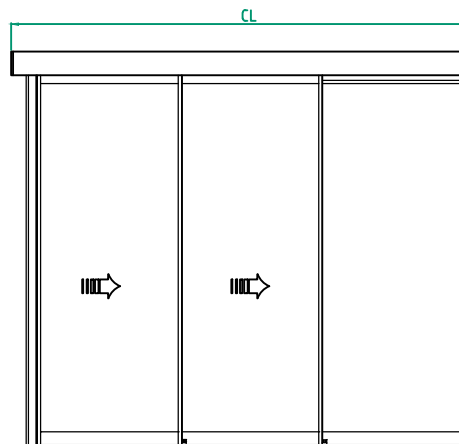
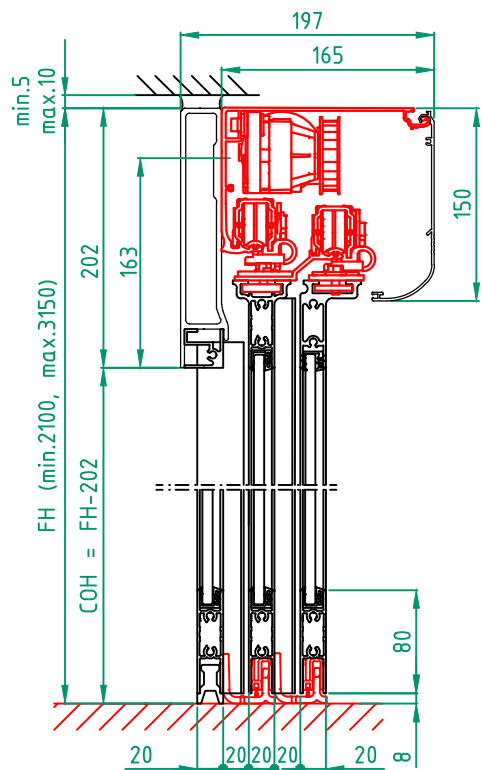
Ref:
Date:
Sign:

Profile system  
 EM PS-T 3 Panel beam mounted opening left  
 EM PSL150-T

**ENTREMATIC**

5.0 1009388-EME1





**STATE WHEN ORDERING**

FW = ..... mm  
 FH = ..... mm  
 X = ..... mm  
 COW = ..... mm  
 COH = ..... mm  
 CL = ..... mm

Surface treatment

- Silver anodized
- Special anodized .....
- RAL .....
- Special powder coating .....
- .....

Options see layers:

- Alternative F (concrete/brick)
- Alternative U (aluminium/steel)
- Threshold floor guide, L = FW

Glass option see drw. 1009030-EME1

Glass code:  
.....

Limitation

If 8 mm glass FW x FH = max. 12,2 m<sup>2</sup>  
 If 10 mm glass FW x FH = max. 9,9 m<sup>2</sup>  
 If 12 mm glass FW x FH = max. 8,3 m<sup>2</sup>

Installation

- Floor heating
- Other .....

Customer:
Door id:
Project No:

Ref:
Date:
Sign:

Profile system  
 EM PS-T 3 Panel beam mounted opening right  
 EM PSL150-T

ENTREMATI**C**

5.0 1009388-EME1