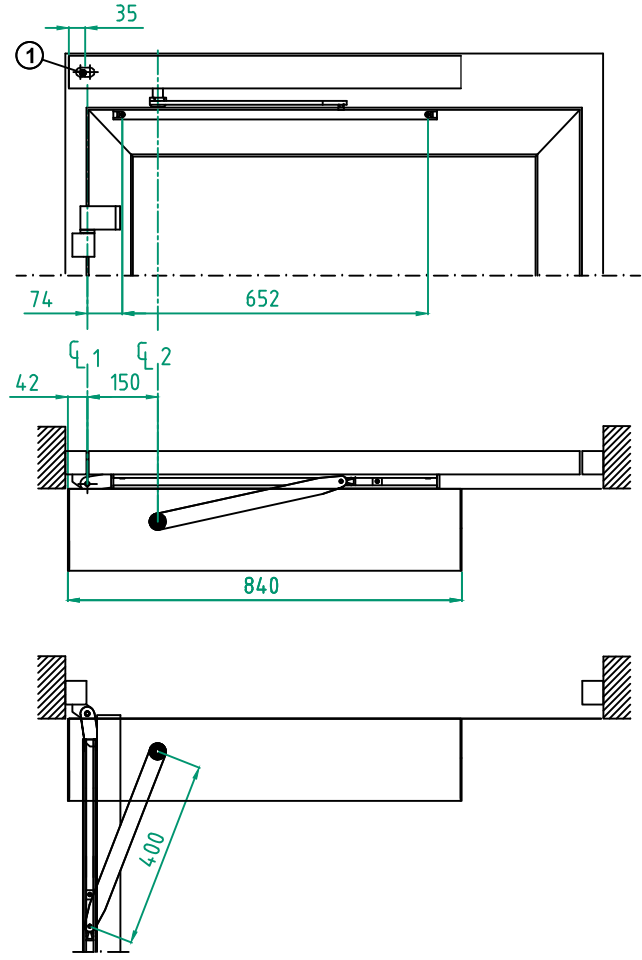
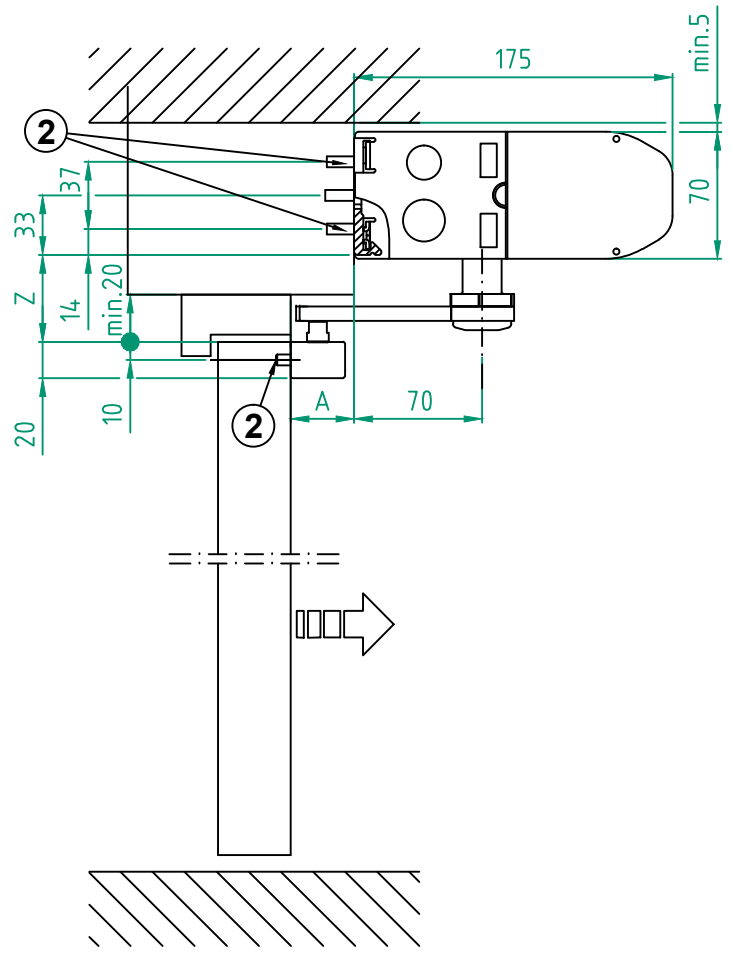


© All rights in and to this material are the sole property of Entrematic AB. Copying, scanning, alterations or modifications are expressly forbidden without the prior written consent of Entrematic AB. Rights reserved for changes without prior notice.



- ⌀ 1 = Hinges
- ⌀ 2 = Operator drive shaft
- A = Reveal -20mm to 130mm
- 1 = Cable inlet
- 2 = Reinforcements required

Z	Shaft extension
48	0
68	20
98	50
118	70

Customer: _____

Door id: _____

Project No: _____

Ref: _____

Date: _____

Sign: _____

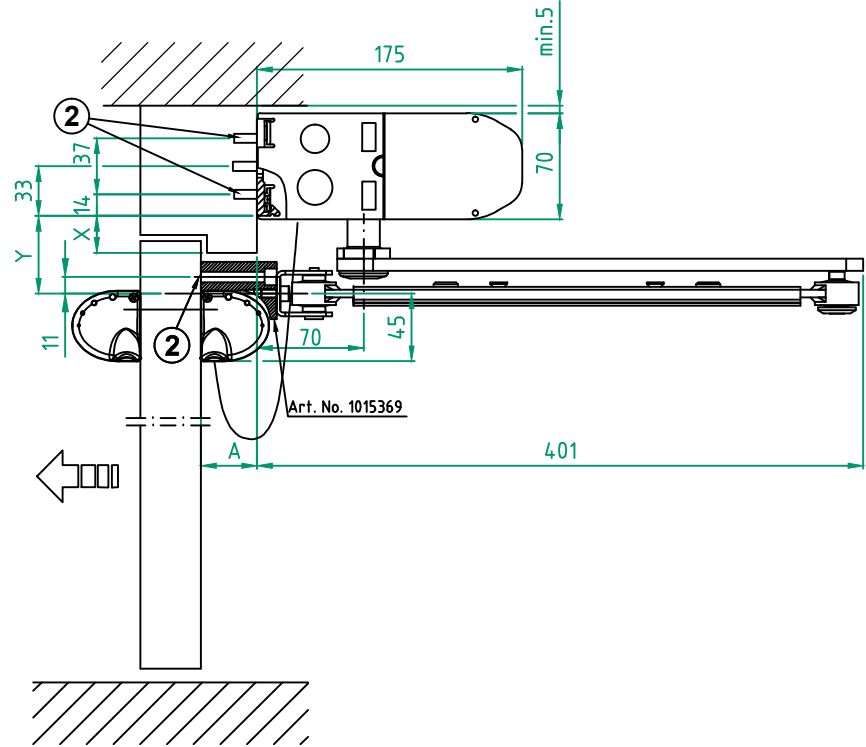
Swing door operator
EM PSW250-1

PULL, DIN Left

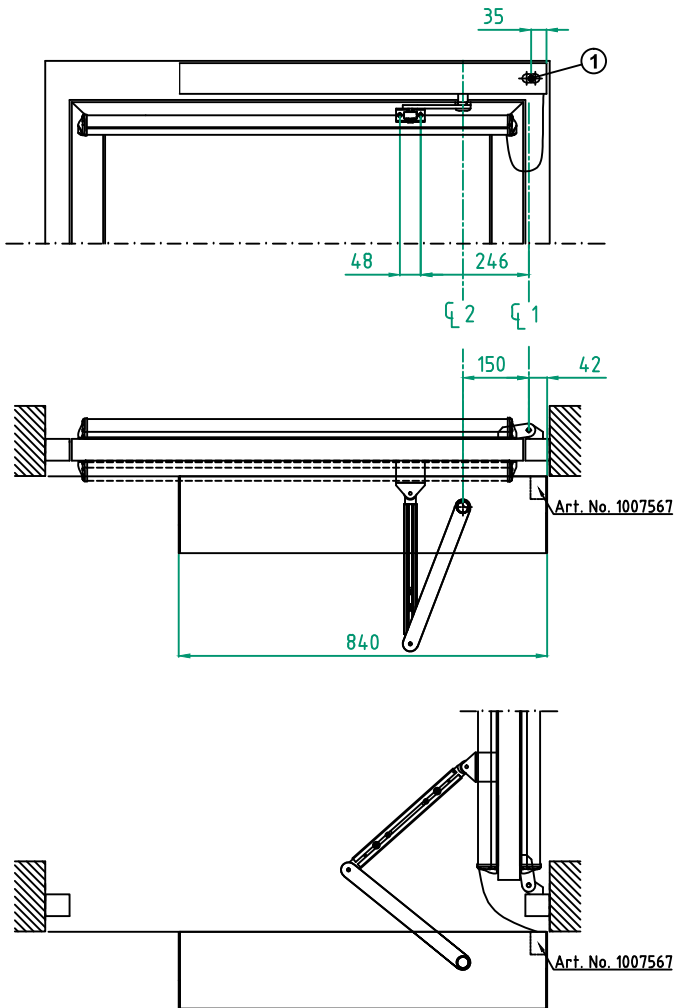
ENTRE/MATIC

17.0 1009168-EMen

© All rights in and to this material are the sole property of Entrematic AB. Copying, scanning, alterations or modifications are expressly forbidden without the prior written consent of Entrematic AB. Rights reserved for changes without prior notice.



Extension	A
0	0-22
345	22-137
230+joint part	137-252
345+230+joint part	252-367



- ☒ 1 = Hinges
- ☒ 2 = Operator drive shaft

- 1 = Cable inlet
- 2 = Reinforcements required

X	Y	Shaft extension
2-25	51	0
25-45	71	20
45-75	101	50
75-95	121	70

Customer: _____

Door id: _____

Project No: _____

Ref: _____

Date: _____

Sign: _____

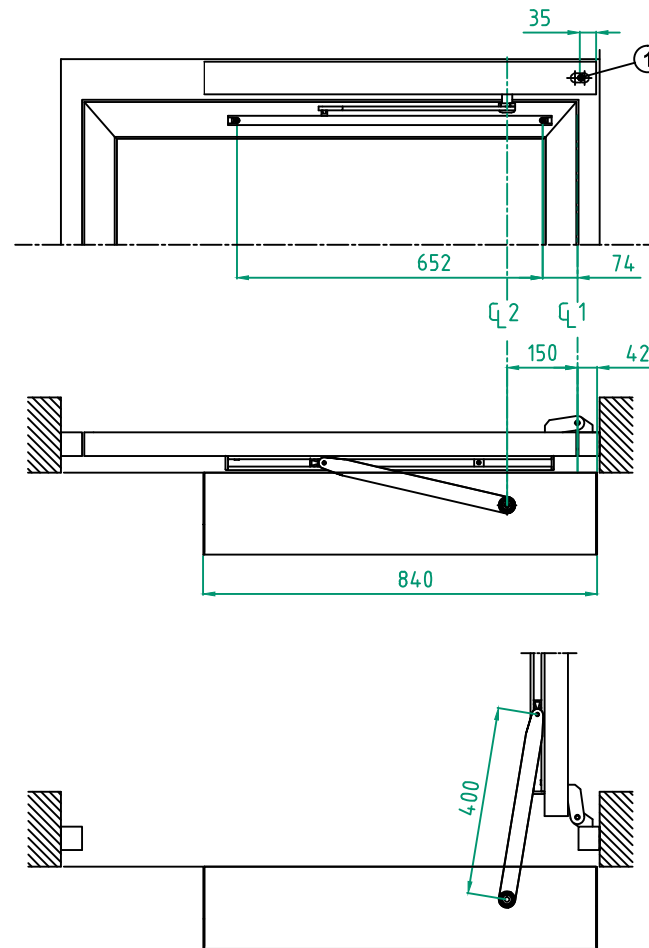
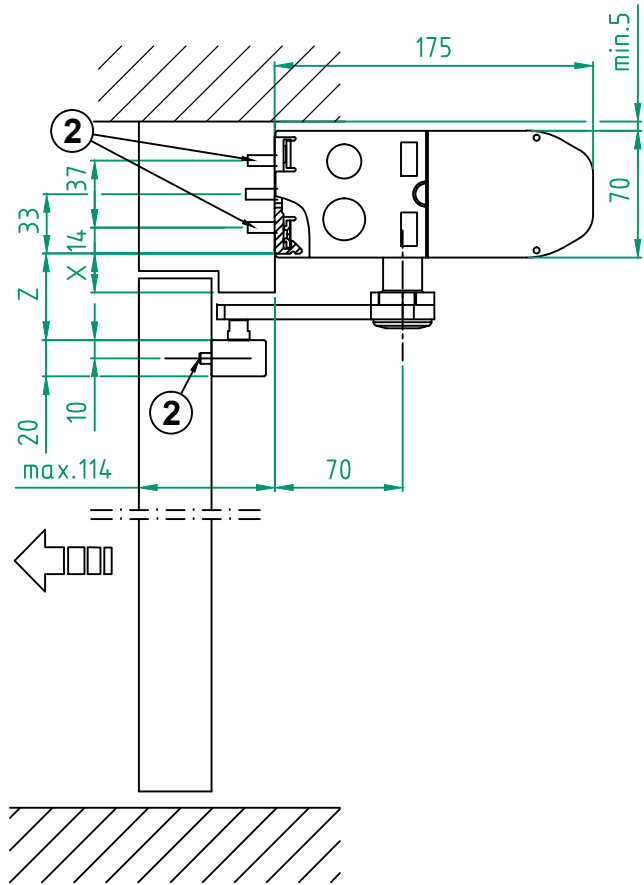
Swing door operator
EM PSW250-1

PUSH, DIN Left

ENTREMATIC

17.0 1009168-EMen

© All rights in and to this material are the sole property of Entrematic AB. Copying, scanning, alterations or modifications are expressly forbidden without the prior written consent of Entrematic AB. Rights reserved for changes without prior notice.



- ⊕ 1 = Hinges
- ⊕ 2 = Operator drive shaft

- 1 = Cable inlet
- 2 = Reinforcements required

X	Z	Shaft extension
2-25	48	0
25-45	68	20
45-75	98	50
75-95	118	70

Customer: _____

Door id: _____

Project No: _____

Ref: _____

Date: _____

Sign: _____

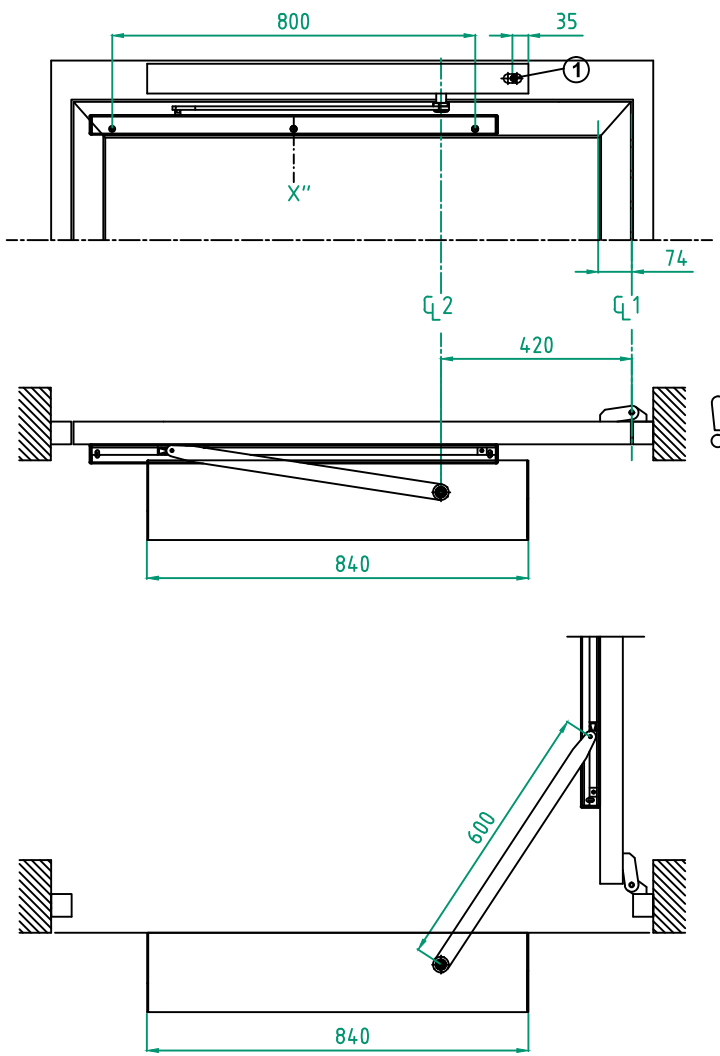
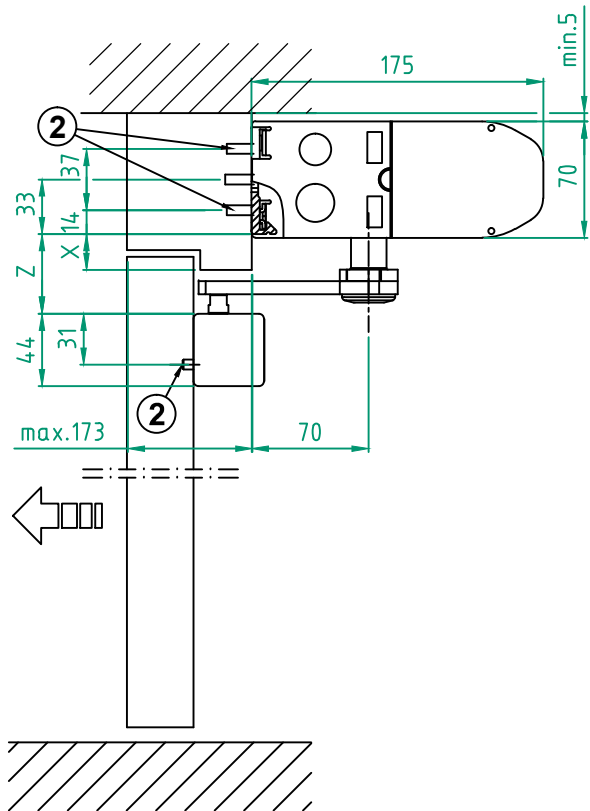
Swing door operator
EM PSW250-1

Sliding PUSH-PULL-400, DIN Left

ENTRE/MATIC

17.0 1009168-EMen

© All rights in and to this material are the sole property of Entrematic AB. Copying, scanning, alterations or modifications are expressly forbidden without the prior written consent of Entrematic AB. Rights reserved for changes without prior notice.



C1 = Hinges
 C2 = Operator drive shaft
 X'' = Center of the sliding block movement
 1 = Cable inlet
 2 = Reinforcements required
 Note1! Low speed distance and closing will increase.
 Max. door opening = 100°
 Min. door width = 1200 mm
 Note2! Dip switch 6 = OFF and 7 = OFF

Z	Shaft extension
48	0
68	20
98	50
118	70

Customer: _____

Door id: _____

Project No: _____

Ref: _____

Date: _____

Sign: _____

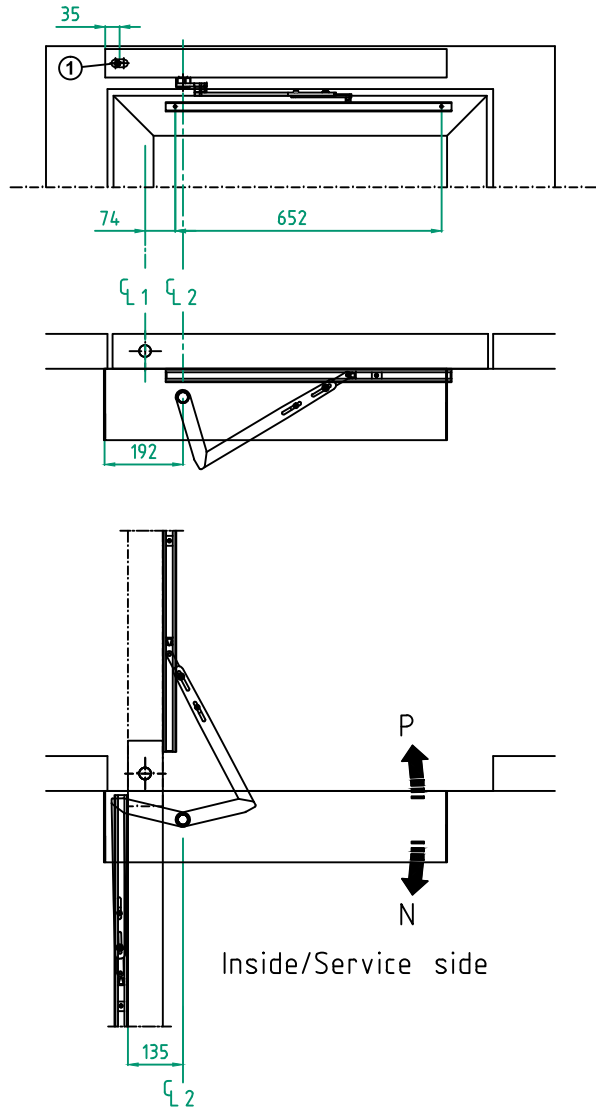
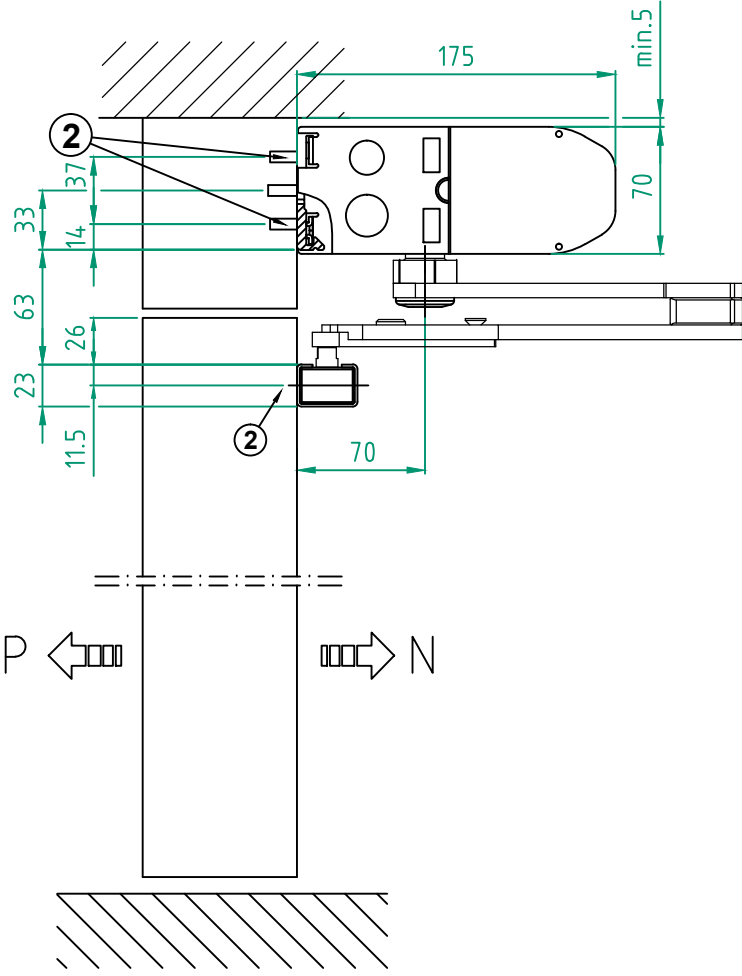
Swing door operator
EM PSW250-1

Sliding PUSH_PULL-600, DIN Left

ENTRE/MATIC

17.0 1009168-EMen

© All rights in and to this material are the sole property of Entrematic AB. Copying, scanning, alterations or modifications are expressly forbidden without the prior written consent of Entrematic AB. Rights reserved for changes without prior notice.



- ⌀1 Pivot point
- ⌀2 Operator drive shaft
- 1 Cable inlet
- 2 Reinforcements required
- N Normal opening direction
- P Break-out direction

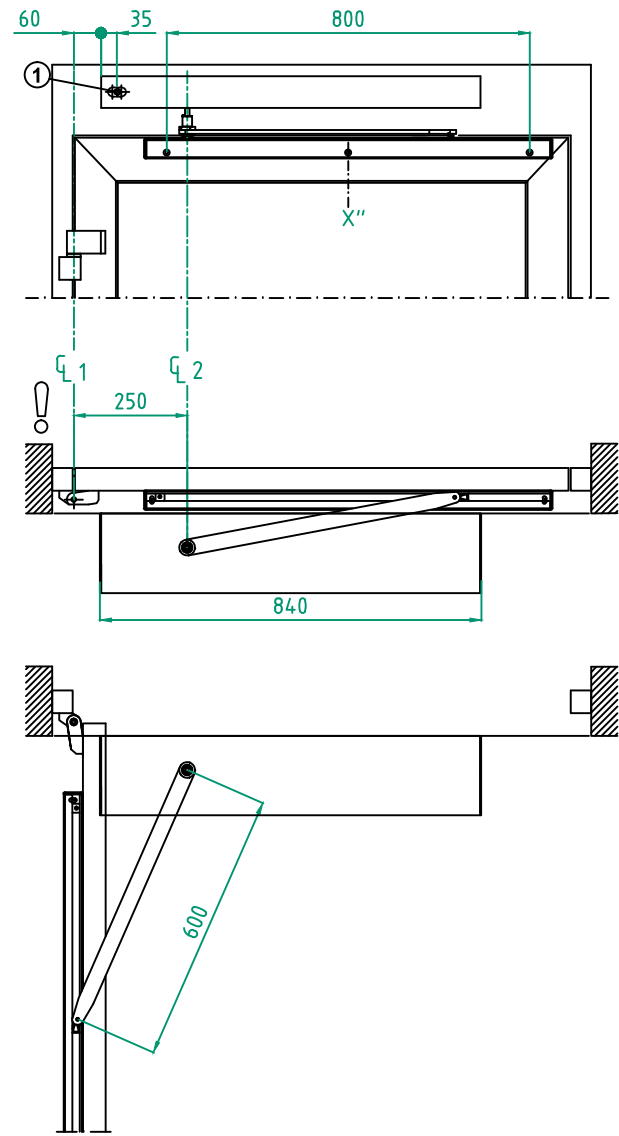
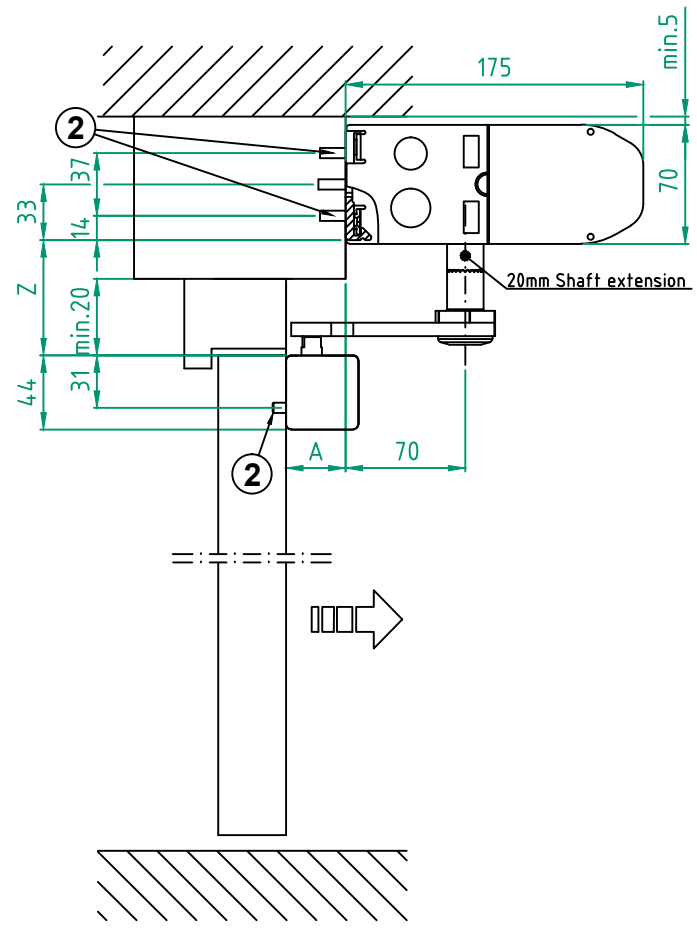
Customer:	Ref:
Door id:	Date:
Project No:	Sign:

Ref:
Date:
Sign:

Swing door operator
EM PSW250-1
Arm system Double Acting, DIN Left

ENTRE/MATIC	
17.0	1009168-EMen

© All rights in and to this material are the sole property of Entrematic AB. Copying, scanning, alterations or modifications are expressly forbidden without the prior written consent of Entrematic AB. Rights reserved for changes without prior notice.



⌀ 1 = Hinges
 ⌀ 2 = Operator drive shaft
 A = Reveal -20mm to 230mm
 X'' = Center of the sliding block movement
 1 = Cable inlet
 2 = Reinforcements required
 Note! Low speed distance and closing will increase.
 Max. door opening = 110°
 Min. door width = 1050 mm

Z	Shaft extension
48	0
68	20
98	50
118	70

Customer: _____

Door id: _____

Project No: _____

Ref: _____

Date: _____

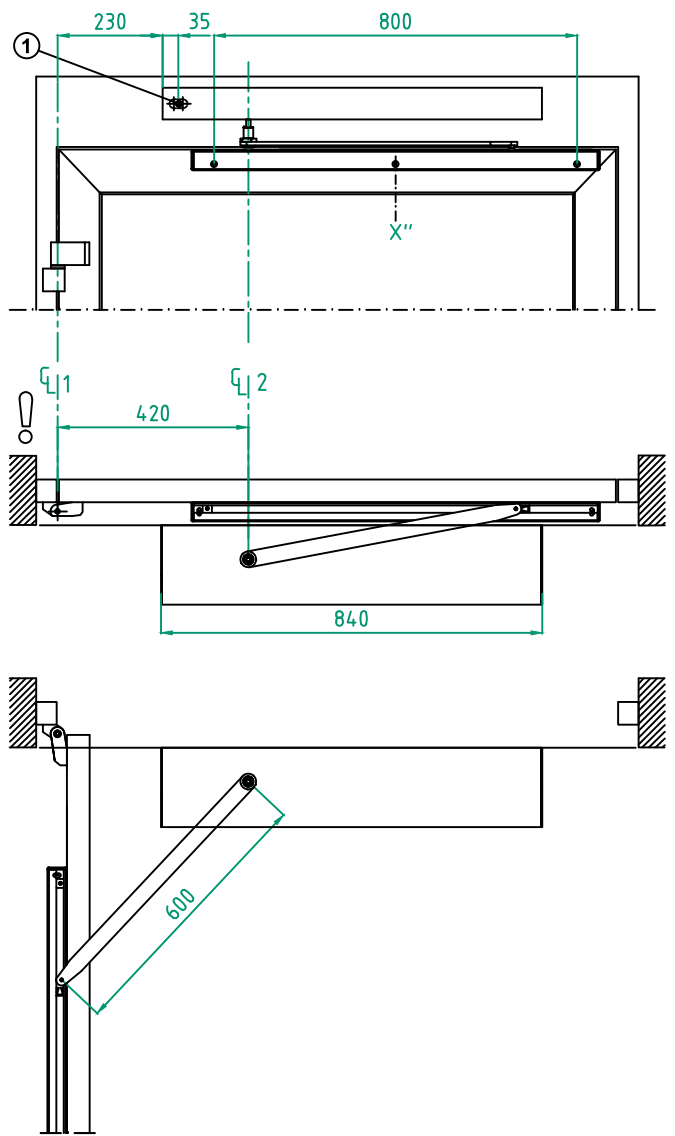
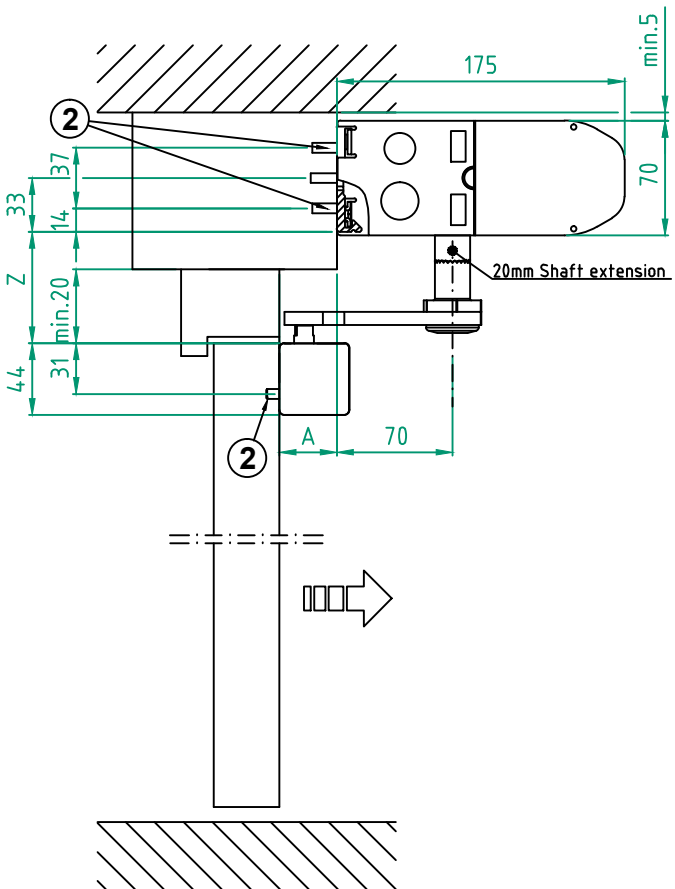
Sign: _____

Swing door operator
 EM PSW250-1
 PULL-600 250, DIN Left

ENTRE/MATIC

17.0
1009168-EMen

© All rights in and to this material are the sole property of Entrematic AB. Copying, scanning, alterations or modifications are expressly forbidden without the prior written consent of Entrematic AB. Rights reserved for changes without prior notice.



C 1 = Hinges
 C 2 = Operator drive shaft
 A = Reveal -20mm to 230mm
 X'' = Center of the sliding block movement
 1 = Cable inlet
 2 = Reinforcements required
 Note! Low speed distance and closing will increase.
 Max. door opening = 100°
 Min. door width = 1200 mm

Z	Shaft extension
48	0
68	20
98	50
118	70

Customer: _____

Door id: _____

Project No: _____

Ref: _____

Date: _____

Sign: _____

Swing door operator
 EM PSW250-1
 PULL-600 420, DIN Left

ENTRE/MATIC
 17.0 1009168-EMen