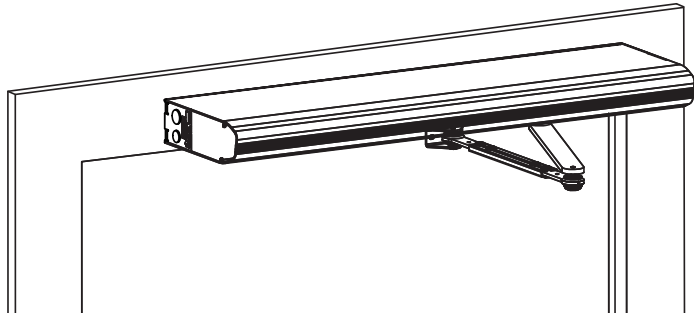


Swing Door Operator EM PSW250



User Manual
Original instructions

CONTENTS - Original instructions

Instructions for safe operation	3
Congratulations on your new automatic door!	4
Electronic equipment reception interference	4
Environmental requirements	4
Product liability	4
Service	5
Intended use	5
Technical specification	5
How the EM PSW250 works	6
Regular safety checks	7
General accessories	10
Safety accessories	10
Troubleshooting	10
Service/Maintenance	11
Other products from Entrematic Group	11
Declaration of conformity	12

© All rights in and to this material are the sole property of Entrematic Group AB. Copying, scanning, alterations or modifications are expressly forbidden without the prior written consent of Entrematic Group AB. Rights reserved for changes without prior notice.

Backtrack information: folder:Workspace Main, version:a529, Date:2019-06-12 time:07:10:50, state: Frozen

Instructions for safe operation



- Failure to observe the information in this manual may result in personal injury or damage to equipment.
- To reduce the risk of injury to persons - use this operator with single or double pedestrian swinging or folding doors only.
- Do not use the equipment if repair or adjustment is necessary.
- Disconnect supply when cleaning or other maintenance is to be carried out.
- The operator can be used by children over 8 years of age if they have been instructed by a person in charge of their safety.
- The operator can be used by children 8 years of age or younger if they are supervised by a person responsible for their safety.
- The operator can be used by persons with impaired physical, sensory or mental capacity if they have been instructed by a person in charge of their safety.
- Cleaning and user maintenance shall not be made by children.
- Do not let anyone climb on or play with the door or the fixed/remote controls.
- The doorset can be operated automatically by sensors or manually by activators. It can also be used manually as a door closer.

Congratulations on your new automatic door!

Entrematic Group AB has developed automatic doors for more than 50 years. State-of-the-art technology and carefully tested materials and components provide you with a superior product.

As with all other technical products, your automatic door requires periodic maintenance and service. It is essential that you know your automatic door (system) and that you recognize the importance of maintaining it in compliance with applicable standards for safety.

Your local Entrematic Group-authorized representative is familiar with these standards, as well as all applicable local codes and Entrematic Group recommendations for power-operated pedestrian doors. Service and adjustments performed by your Entrematic Group-authorized representative, will ensure safe and proper operation of your automatic door unit.

Electronic equipment reception interference

The equipment may generate and use radio frequency energy and if not installed and used properly, it may cause interference to radio, television reception or other radio frequency type systems.

If other equipment does not fully comply with immunity requirements interference may occur.

There is no guarantee that interference will not occur in a particular installation. If this equipment does cause interference to radio or television reception, which can be determined by turning the equipment off and on, the user is encouraged to try to correct the interference by one or more of the following measures:

- Re-orient the receiving antenna.
- Relocate the receiver with respect to the equipment.
- Move the receiver away from the equipment.
- Plug the receiver into a different outlet so that equipment and receiver are on different branch circuits.
- Check that protective earth (PE) is connected.

If necessary, the user should consult the dealer or an experienced electronics technician for additional suggestions.

Environmental requirements

Entrematic Group products are equipped with electronics and may also be equipped with batteries containing materials which are hazardous to the environment. Disconnect power before removing electronics and battery and make sure it is disposed of properly according to local regulations (how and where) as was done with the packaging material.

Product liability

According to regulations, the following are the responsibility of the owner or caretaker of the equipment

- that the equipment operates correctly, so that it gives sufficient protection in regard to safety and health
- that the equipment is operated and regularly maintained, inspected and serviced by someone with documented competence in the equipment and in applicable regulations
- that the provided "Service Log Book" and "Site Acceptance Test and Risk Assessment" documents are kept available for maintenance and service records
- that inspection covers the emergency opening function (when applicable)
- that the closing force is appropriate for the door size on fire-approved door systems (when applicable)

Service

Inspections should be done regularly by a trained and qualified person. The frequency of these inspections should be according to national regulations (or according to industry standard if there are no national regulations). This is especially important when the installation concerns a fire-approved door or a door with an emergency-opening function. To extend the life of your investment and ensure safe and reliable operation of the door, we recommend a minimum of 2 visits per year or more, depending on usage and operating conditions. Environmental aspects shall also be considered.

Talk to your Entrematic Group representative to learn more about our service offering.

Intended use

The EM PSW250 is an automatic swing door operator developed to make life easier for everyone who can benefit from automatic doors. The EM PSW250 is a low-energy as well as a full power operator using a DC motor and a gear-reduction system to drive an arm system, which opens the door. It is to be installed indoors where it is suitable for almost all types of external and internal swing doors. This widely-used operator can be found on applications ranging from handicapped-access in private homes to high-traffic retail operations.

The door is designed to offer continuous use, a high degree of safety and maximum lifetime. The system is self-adjusting to the effects caused by normal variations in the weather conditions and to minor friction changes caused by e.g. dust and dirt.

For escape in emergency situations the doorset is opened manually.

For installation and maintenance see Installation and Service manual 1007913.

Save these instructions for future reference.

Technical specification

Manufacturer:	Entrematic Group AB
Address:	Lodjursgatan 10, SE-261 44 Landskrona, Sweden
Type:	EM PSW250
Mains power supply:	100-240 V AC +10/-15%, 50/60 Hz
Power consumption:	Max. 300 W
Class of protection:	IP20
Sound pressure:	$L_{pa} \leq 70 \text{ dB}(A)$
Approvals:	Third party approvals from established certification organizations valid for safety in use, see Declaration of Conformity.

How the EM PSW250 works





The swing door operator EM PSW250 uses a DC motor and a gear-reduction system to drive an arm system which opens the door. Closing power is provided by a motor and a closing spring. A highly sophisticated electronic control unit uses a motor encoder and a microprocessor to control the door's movement.

To activate the operator you can use a manual activator (elbow switch) or an automatic activator (radar device). It is also possible – where local standards allow – to activate the operator by just pushing the door, if Push & Go is selected.

After the door has been activated it will open and stay open for a specified Hold Open Time (HOT). When the HOT has elapsed the door will close.

The EM PSW250 can be set in three or four different modes, depending on programme selector type, see table below.

In fully manual use (or in case of a power failure) the EM PSW250 acts as a normal door closer.

Position		Function
	AUTO Normal position	The door can be opened with the inner and outer manual and/or automatic activators. The electric strike, if fitted, is open.
	OFF	The door is closed. The door cannot be opened with inner and outer activation units. The door is locked if an electromechanical locking device has been fitted. The door can be opened with a key switch (if fitted).
	OPEN	The door is held permanently open by the motor.
	EXIT	Passage from inside only. The door is normally locked if an electromechanical locking device has been fitted. The door can only be opened with the inner activation unit and with a key switch (if fitted).

Regular safety checks

To help you fulfil the national/international requirements and to avoid malfunction and risk for injuries, we have provided the following checklist.



Do not use the operator if repair or adjustment is necessary.

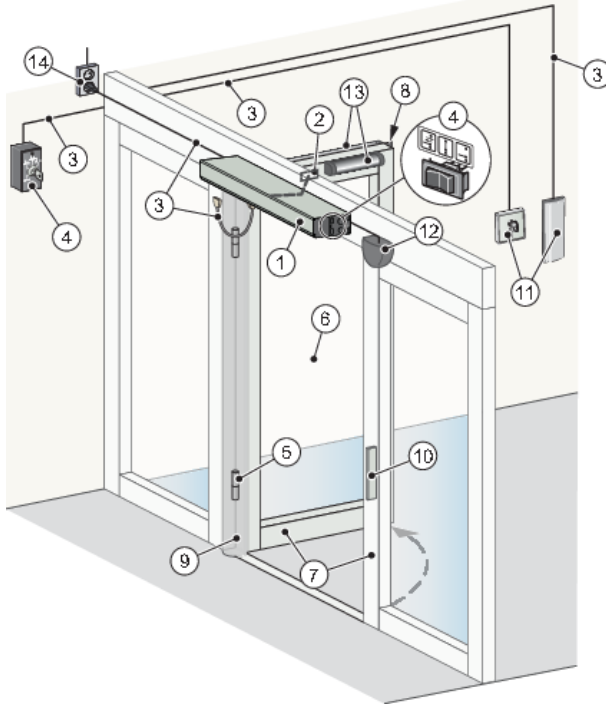
Disconnect supply ⁽¹⁴⁾ when cleaning or other maintenance is to be carried out.

Daily Action		If problem occurs
Activate your operator and check <i>visually</i> , fastening and any damage of <ul style="list-style-type: none"> operator ⁽¹⁾ arm system ⁽²⁾ cables ⁽³⁾ hinges ⁽⁵⁾ door and glass ⁽⁶⁾ 		
Also inspect your operator and check <i>visually</i> for <ul style="list-style-type: none"> sharp edges on the door leaf and door frame (if any) ⁽⁷⁾ condition of door seals ⁽⁸⁾ finger protection ⁽⁹⁾ and finally that the complete door runs properly and closes slowly in a smooth way 		
Set the mode selector to OFF and check that the operator and electromechanical lock (if fitted) work together. Also check that the lock ⁽¹⁰⁾ really secures the door.		
Activate the manual activation units ⁽¹¹⁾ , if any, and walk towards the door. Check that the door has opened appropriately while you pass the entrance/exit. Then proceed with the automatic activation units ⁽¹²⁾ in the same way.		
Check the safety sensors ⁽¹³⁾ if any, by standing in the swing path and activate the operator. The door must not hit you when opening nor when closing. If you are unsure of which type of sensor you have, please contact your Entrematic Group representative.		
Escape doors	By law, these tests must be performed regularly by trained personnel.	Set the programme selector in AUTO mode. Push the door manually in escape direction and make sure that no object or function will prevent the door from opening. Also make sure the escape route is free for use.
Fire doors		

= Take appropriate measures.

= Contact your Entrematic Group representative. For contact information, see last page.

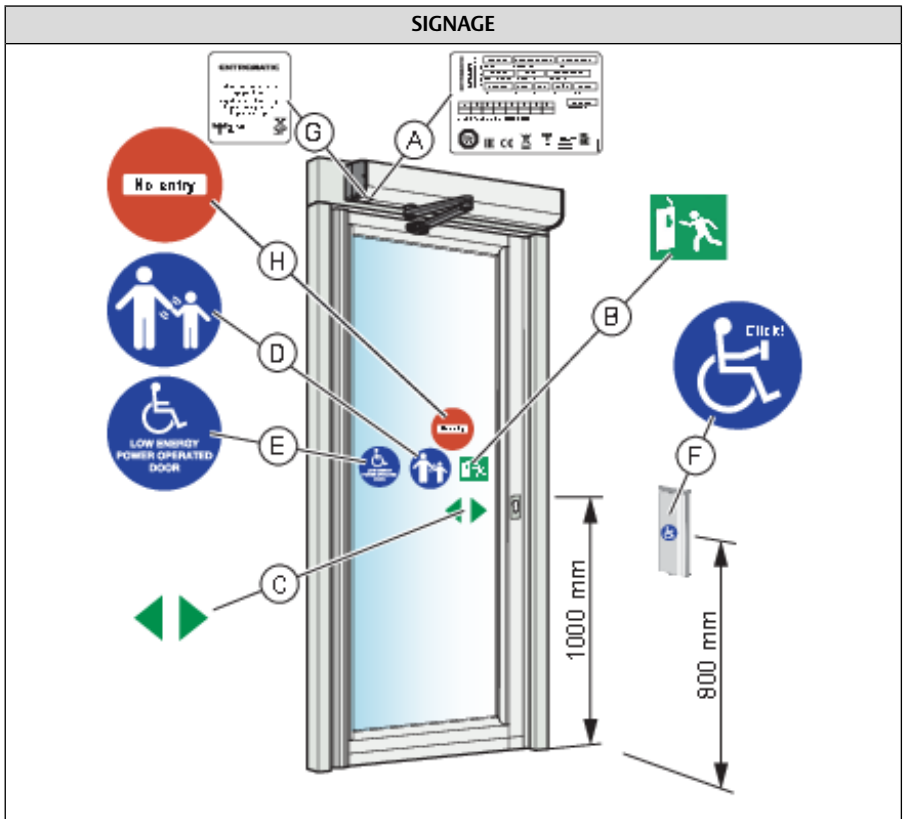
FUNCTION AND VISUAL INSPECTION



CLEANING

The best way to remove dust and dirt from the EM PSW250 is to use water and a soft cloth or a sponge. A gentle detergent may be used. To maintain the quality of the surface treatment, the surfaces should be cleaned once/four months period. The cleaning should be documented. To avoid damages to the profiles the brushes/weather stripping must be vacuum-cleaned weekly.

- Do not expose windows, doors or profiles to alkalis. Both aluminium and glass are sensitive to alkalis.
- Do not clean with high pressure water. Operator, mode selector and sensor may be damaged and water may enter the profiles.
- Do not use polishing detergent.
- Do not scrub with materials like Scotch-brite, as this will cause mechanical damage.



Action		If problem occurs
Check that all required signage is applied and intact. Mandatory indicates that the signage is required by European directives and equivalent national legislation outside the European Union.		
(A)	Product label: Mandatory	
(B)	Emergency break-out: Mandatory, if approved for escape route.	
(C)	Entrematic Group door sticker: Mandatory, if applicable to highlight the presence of the glass (applied to all glass sections that are moving).	
(D)	Supervision of child (applied to both sides of the door): Mandatory according to national regulations. Recommended, if the risk analysis shows use by children.	
(E)	Operator designed for disabled people: Recommended, if applicable (applied to both sides of the door).	
(F)	Activation by disabled people: Recommended, if applicable.	
(G)	SITAC label: Mandatory in SE	
(H)	No entry, identifying one-way traffic: Mandatory in GB and US, if applicable, not included in the product.	

= Contact your Entrematic Group service representative. For contact information, see last page.

General accessories

Your EM PSW250 can be further improved with the following add-ons (please contact your local Entrematic Group dealer for detailed description).

- Position switch (4), see page 8
- Electrical lock (10), see page 8
- Key switch (11), see page 8
- Elbow switch (11), see page 8
- Radar (12), see page 8
- Wireless transmitters (not illustrated)
- Access control (not illustrated)
- Door stop (not illustrated)

Safety accessories

Even though the EM PSW250 is installed to comply with all applicable safety regulations, it is possible to enhance safety/comfort with the following add-ons (please contact your local Entrematic Group company for detailed description).

- Safety sensors (13), see page 8.
- Finger protection (9), see page 8.

Troubleshooting

What's wrong?	Remedies
The door does not open	
The motor does not start	Change the setting of the program selector. (See page 6).
	Check that there are no objects in the detection zone if a sensor is fitted.
	Check the mains switch and fuse in the building.
The motor starts but door(s) will not open	Unlock the mechanical locks.
	Check that nothing is jammed beneath the door.
The door does not close	
The door opens and closes continuously	Change the setting of the program selector. (See page 6).
	Check that there are no objects in the detection zone if a sensor is fitted.
	Check that nothing is jammed beneath the door.
If the problem continues, please contact your Entrematic Group representative.	

Service/Maintenance

Service and adjustments performed by your Entrematic Group-authorized representative will ensure safe and proper operation of your automatic door unit.

Remember to keep “Service Log Book” and “Site Acceptance Test and Risk Assessment” documents available. These are used together.

The table below shows the recommended interval in months, when to replace parts during preventive maintenance.

Part	Part number	Cycles/hour in operation			Abusive Environment
		<10	<100	>100	
		Low traffic	Medium traffic	High traffic	
PUSH arm service kit	330000485 BK/SI	24	12	6	6
PULL arm service kit	330000486 BK/SI	24	12	6	6
Battery	33738753	24	24	24	24
Transmission unit PSW250 Fire (not for use in DE, GB and SE)	330000487F	60	60	60	60
Transmission unit PSW250 Fire PUSH	330000487PUSH	60	60	60	60
Transmission unit PSW250 Fire PULL	330000487PULL	60	60	60	60
CUS7 control unit	331011678	60	60	60	60
EXU-SI	331003554	60	60	60	60
EXU-SA	331003557	60	60	60	60

Other products from Entrematic Group

- Door Systems
- Sliding doors
- Automatic and manual activation units

Declaration of conformity

We
Entrematic Group AB
Lodjursgatan 10
SE-261 44 Landskrona
Sweden

declare under our sole responsibility that the type of equipment:
EM PSW250

complies with the following directives:

2014/30/EU ElectroMagnetic Compatibility Directive (EMCD)
2006/42/EC Machinery Directive (MD)
2011/65/EU on the restriction of the use of certain hazardous substances in electrical and electronic equipment (RoHS)

Harmonized European standards which have been applied:

EN 60950-1:2006+A1:2010+A11:2009+A12:2011	EN 60335-1:2012+A11:2014
EN 60335-2-103:2015	EN 61000-6-2:2005
EN 61000-6-3:2007+A1:2011	EN ISO 13849-1:2015
EN 16005:2012/AC:2015	

Other standards or technical specifications, which have been applied:

BBR	BVL
IEC 60335-1:2010 ed. 5	IEC 60335-2-103:2002 ed. 1/2011 ed. 2.1
DIN 18263-4:1997	EN 1158:1997+A1:2002+AC:2006
EN 1634-1:2008	

EC type examination or certificate issued by a notified or competent body (for full address, please contact Entrematic Group AB) concerning the equipment:
SC1323-13

The manufacturing process ensures the compliance of the equipment with the technical file. The manufacturing process is regularly assessed by 3rd party.

The CE mark was first applied 2014-02-28.
Compilation of technical file:

Anders Forslind
Entrematic Group AB
Lodjursgatan 10
SE-261 44 Landskrona
Sweden

Email: anders.forslind@entrematic.com

Place	Date	Signature	Position
Landskrona	2019-06-04	Klas Hagelin	Global Quality Manager



ENTRE//MATIC

Entrematic Group AB, Lodjursgatan 10, SE-261 44 Landskrona, Sweden

Tel: +46 10 47 48 300

www.entrematic.com • info.em@entrematic.com