

X	Y	Shaft extension
2 - 17	48	0
2 - 37	68	20
2 - 67	98	50
2 - 87	118	70

**STATE WHEN ORDERING**

**Surface treatment**

- Silver anodized
- Special anodized .....
- RAL .....
- Special powder coating .....
- .....

**Cover end plates**

- BK
- SI

**Options see layers:**

- Standard cover
- Full length cover, CL = ..... mm
- S = ..... mm

If S is set to "0", no cutouts will be made.

- ⌀1 Hinges
- ⌀2 Operator drive shaft
- 1 Cable inlet
- 2 Reinforcements required in door leaf and at fixing holes

	A
Standard (Telescopic L=230)	0-100
Extension (Telescopic L=345)	100-215
Extension (2x Telescopic L=230+Joint part)	215-305

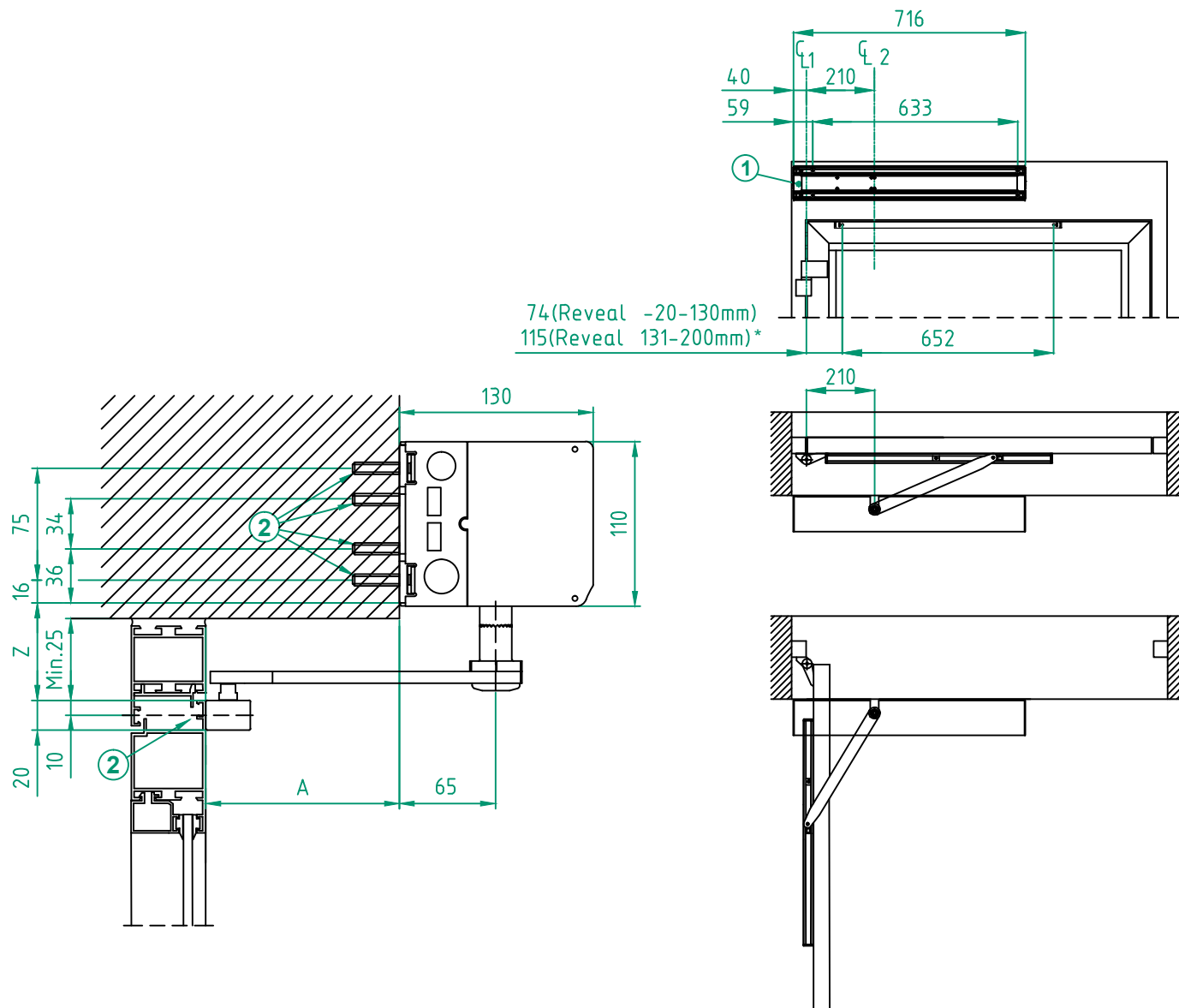
Customer:	Ref:
Door id:	Date:
Project No:	Sign:

ASSA ABLOY SW100-1  
 Arm system PUSH  
 DIN Left  
 Swing door operator

**ASSA ABLOY**

15.0

1005055-en



Z	Shaft extension
48	0
68	20
98	50
118	70

STATE WHEN ORDERING

Surface treatment

- Silver anodized
- Special anodized .....
- RAL .....
- Special powder coating .....

Cover end plates

- BK
- SI

Options see layers:

- Standard cover
- Full length cover, CL = ..... mm  
R = ..... mm

If R is set to "0", no cutouts will be made.

- CL1 Hinges
- CL2 Operator drive shaft
- A Reveal A=-20 - 130 mm  
Reveal A=131- 200 mm  
Min. door width = 750 mm
- 1 Cable inlet
- 2 Reinforcements required in door leaf and at fixing holes
- \* Will not open more than 90 degrees

Customer: \_\_\_\_\_

Door id: \_\_\_\_\_

Project No: \_\_\_\_\_

Ref: \_\_\_\_\_

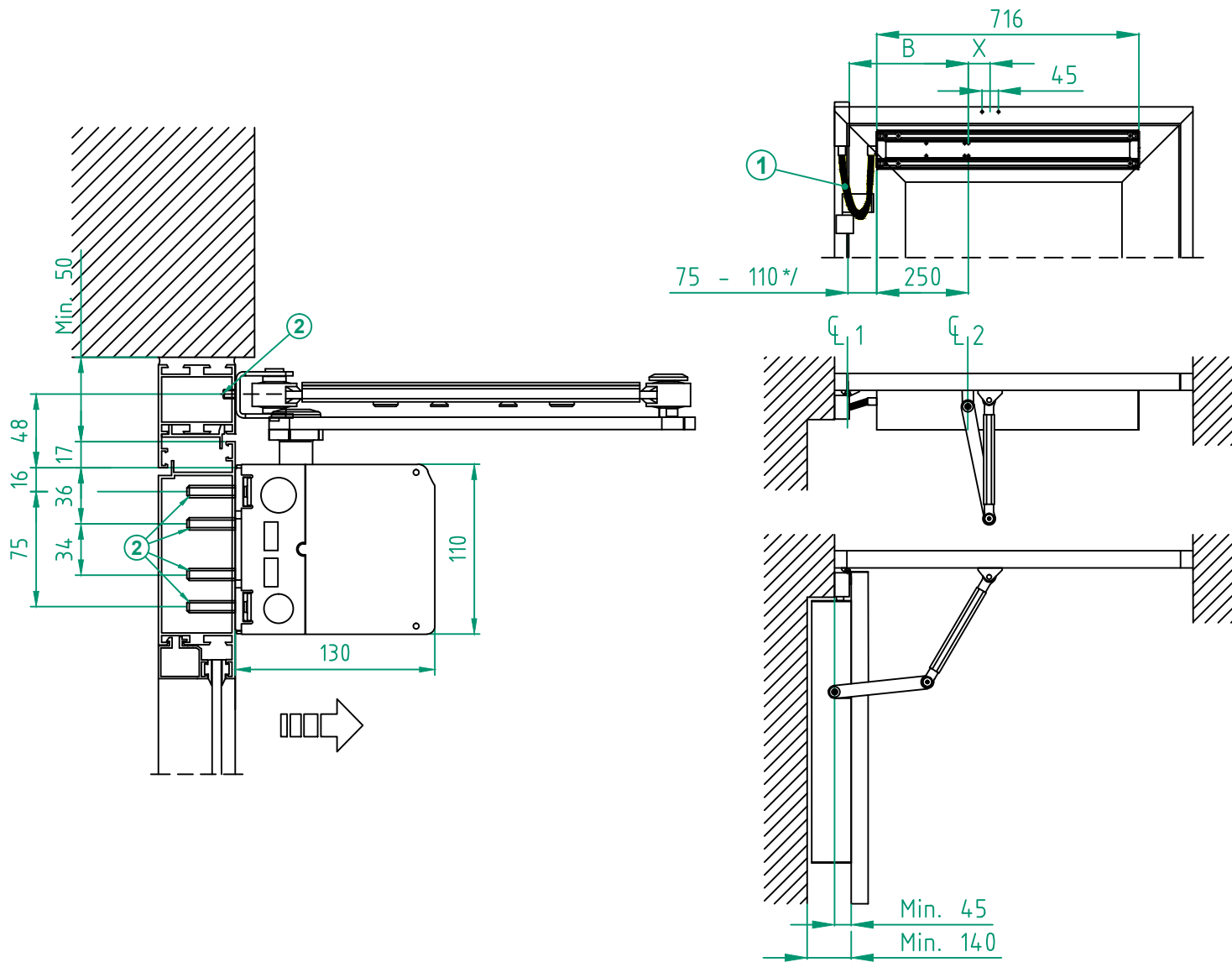
Date: \_\_\_\_\_

Sign: \_\_\_\_\_

ASSA ABLOY SW100-1  
 Arm system PULL  
 DIN Left  
 Swing door operator

**ASSA ABLOY**

15.0 1005055-en



B	X
325	60
360	70

STATE WHEN ORDERING

Surface treatment

- Silver anodized
- Special anodized .....
- RAL .....
- Special powder coating .....

Cover end plates

- BK
- SI

- C1 Hinges
- C2 Operator drive shaft
- 1 Door mouting kit 100132
- 2 Reinforcements required in door leaf and at fixing holes
- 3 Arm system 1007965BK/SI
- \*/ Depending on door width and wall thickness.  
Min. door width 800mm

Customer:

Ref:

Door id:

Date:

Project No:

Sign:

ASSA ABLOY SW100 mounted  
 Arm system PUSH-335

Swing door operator

**ASSA ABLOY**

15.0

1005055-en