

STATE WHEN ORDERING

- Surface treatment
 Silver anodized
 Special anodized
 RAL
 Special powder coating

Cover end plates

- BK
 SI

Options see layers:

- Standard cover
 Full length cover, CL = mm
 R = mm
 If R is set to "0", no cutouts will be made.

- Φ1 Hinges
 Φ2 Operator drive shaft
 1 Cable inlet
 2 Reinforcements required in door leaf and at fixing holes

X	Y	Shaft extension
0-14	48	0
15-35	68	20
36-65	98	50
66-86	118	70

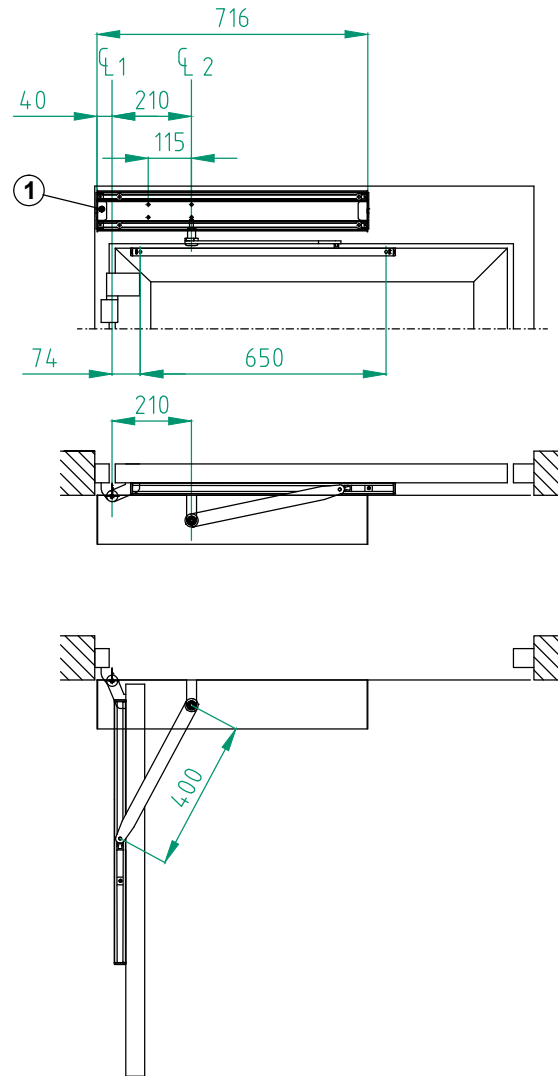
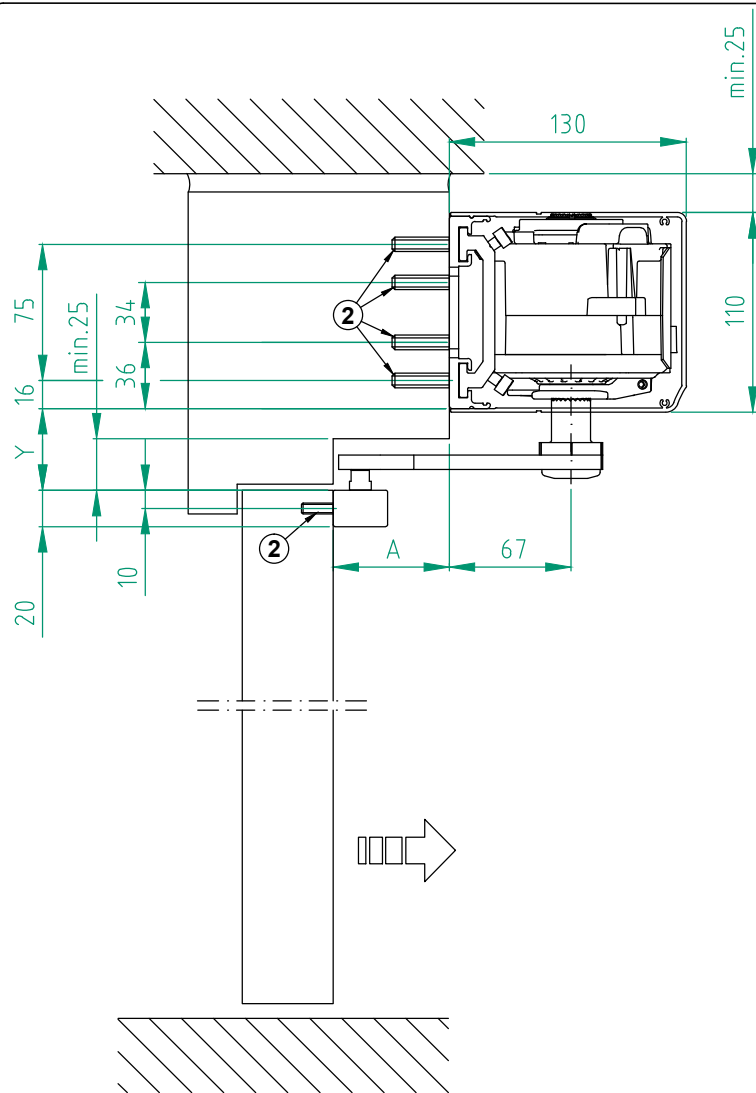
	A (HP)
Standard (Telescopic L=230)	0-100
Extension (Telescopic L=345)	100-215
Extension (2x Telescopic L=230+Joint part)	215-305

Customer: _____
 Door id: _____
 Project No: _____

Ref: _____
 Date: _____
 Sign: _____

Swing door operator
 ASSA ABLOY SW200-1, PUSH-250
 High Performance, DIN Left
 Art. No. 1009927

ASSA ABLOY
 10.0 1009927-en



STATE WHEN ORDERING

Surface treatment

- Silver anodized
- Special anodized
- RAL
- Special powder coating
-

Cover end plates

- BK
- SI

Options see layers:

- Standard cover
 - Full length cover, CL = mm
R = mm
- If R is set to "0", no cutouts will be made.
- Extended reveal spacer

⌀1 Hinges

⌀2 Operator drive shaft

A Reveal A=-20-130 mm

Note! Low speed closing and opening distance will increase.

Min. door width = 750 mm

1 Cable inlet

2 Reinforcements required in door leaf and at fixing holes

Y	Shaft extension
46	0
67	20
95	50
116	70

Customer:

Ref:

Door id:

Date:

Project No:

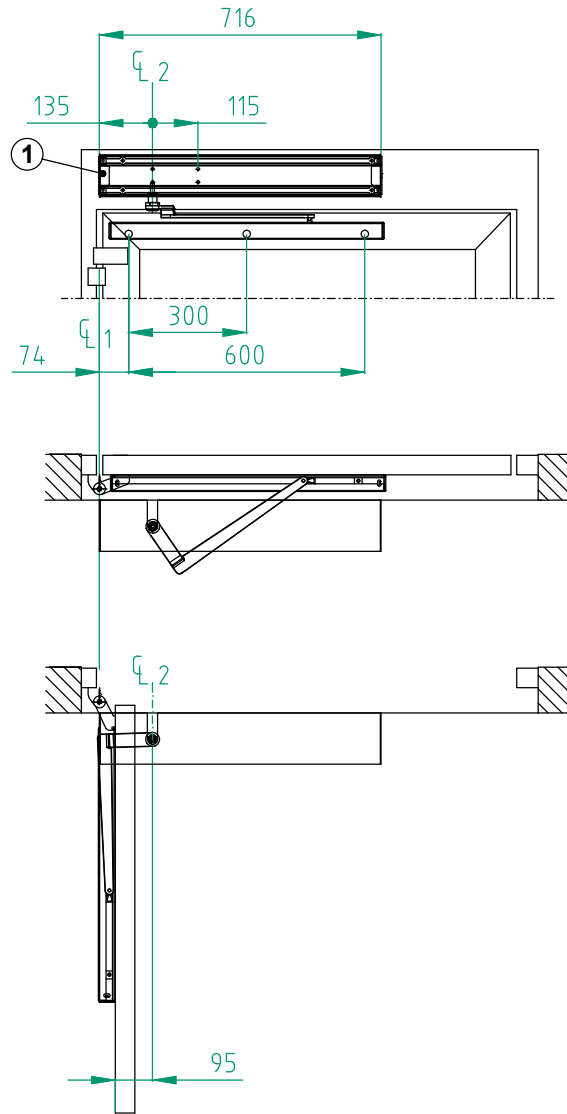
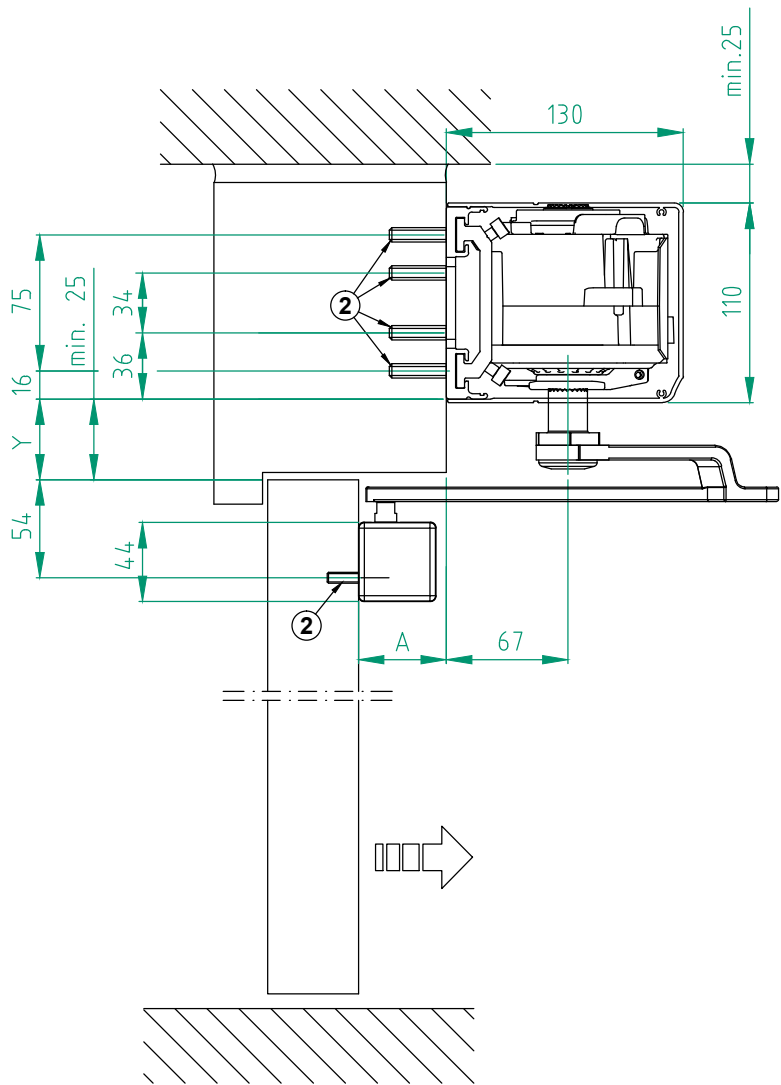
Sign:

Swing door operator
 ASSA ABLOY SW200-1, PULL
 High Performance, DIN Left
 Art. No. 1009927

ASSA ABLOY

10.0

1009927-en



STATE WHEN ORDERING

Surface treatment

- Silver anodized
- Special anodized
- RAL
- Special powder coating

Cover end plates

- BK
- SI

Options see layers:

- Standard cover
 - Full length cover, CL= mm
 R= mm
- If R is set to "0", no cutouts will be made.

☉1 Hinges

☉2 Operator drive shaft

A Reveal A=0-130 mm

Note! Low speed closing and opening distance will increase.

Max. door opening = 95°

Min. door width = 750 mm

1 Cable inlet

2 Reinforcements required in door leaf and at fixing holes

Y	Shaft extension
46	0
67	20
95	50
119	70

Customer:

Ref:

Door id:

Date:

Project No:

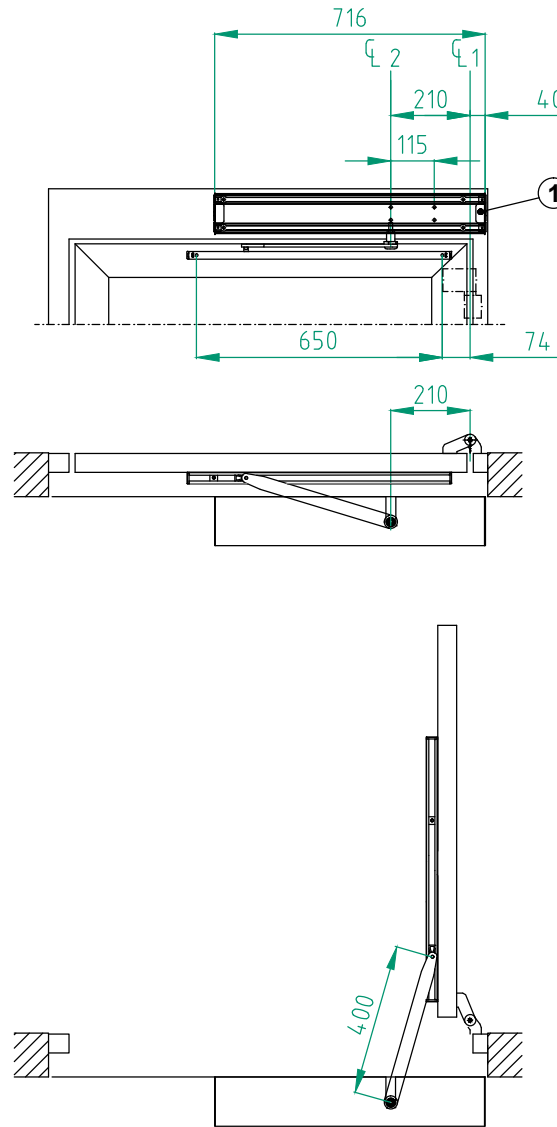
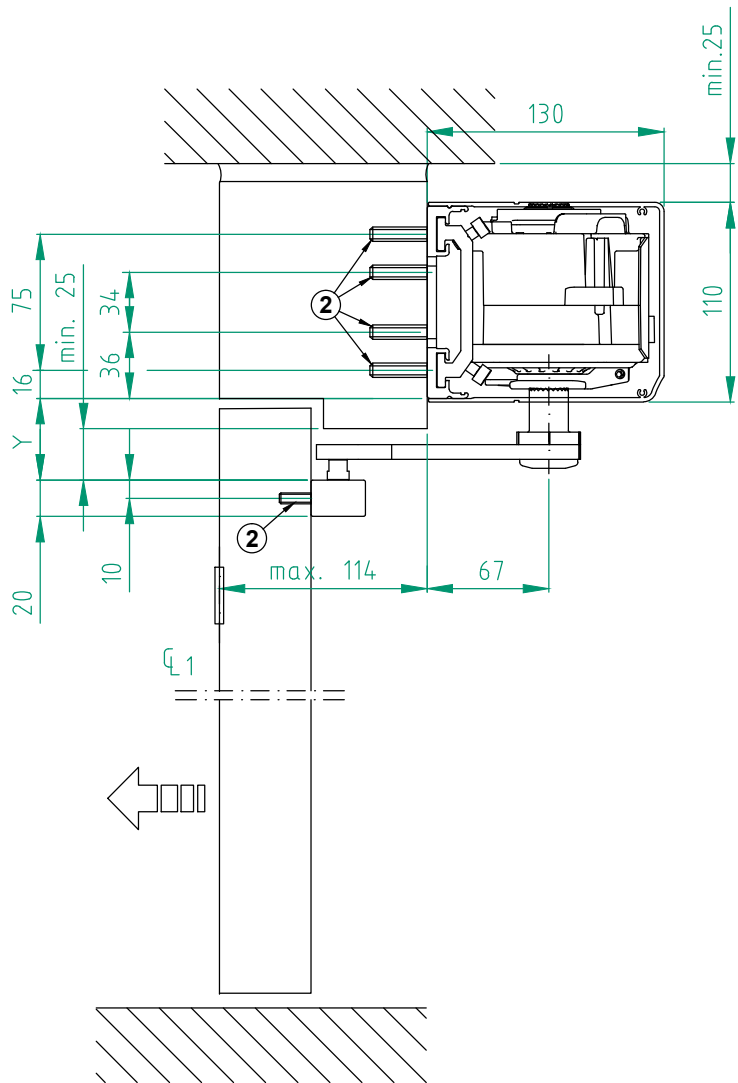
Sign:

Swing door operator
 ASSA ABLOY SW200-1, PAS
 LE Performance, DIN Left
 Art. No. 1009927

ASSA ABLOY

10.0

1009927-en



STATE WHEN ORDERING

Surface treatment

- Silver anodized
- Special anodized
- RAL
- Special powder coating

Cover end plates

- BK
- SI

Options see layers:

- Standard cover
 - Full length cover, CL = mm
 R = mm
- If R is set to "0", no cutouts will be made.

- ⌀1 Hinges
- ⌀2 Operator drive shaft
 Min. door width = 750 mm
- 1 Cable inlet
- 2 Reinforcements required in door leaf and at fixing holes

Y	Shaft extension
46	0
67	20
95	50
119	70

Customer: _____

Door id: _____

Project No: _____

Ref: _____

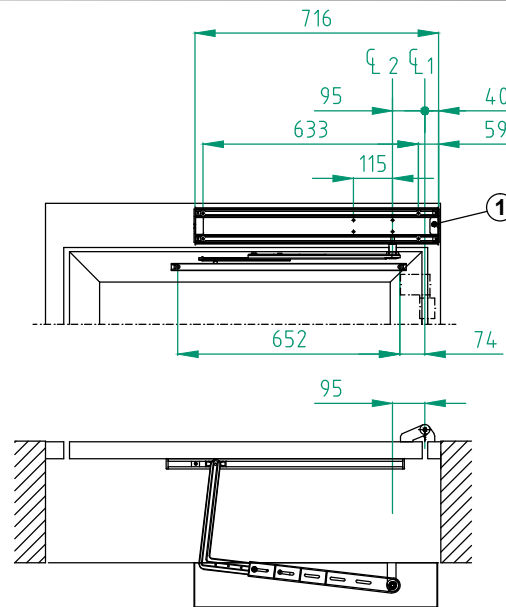
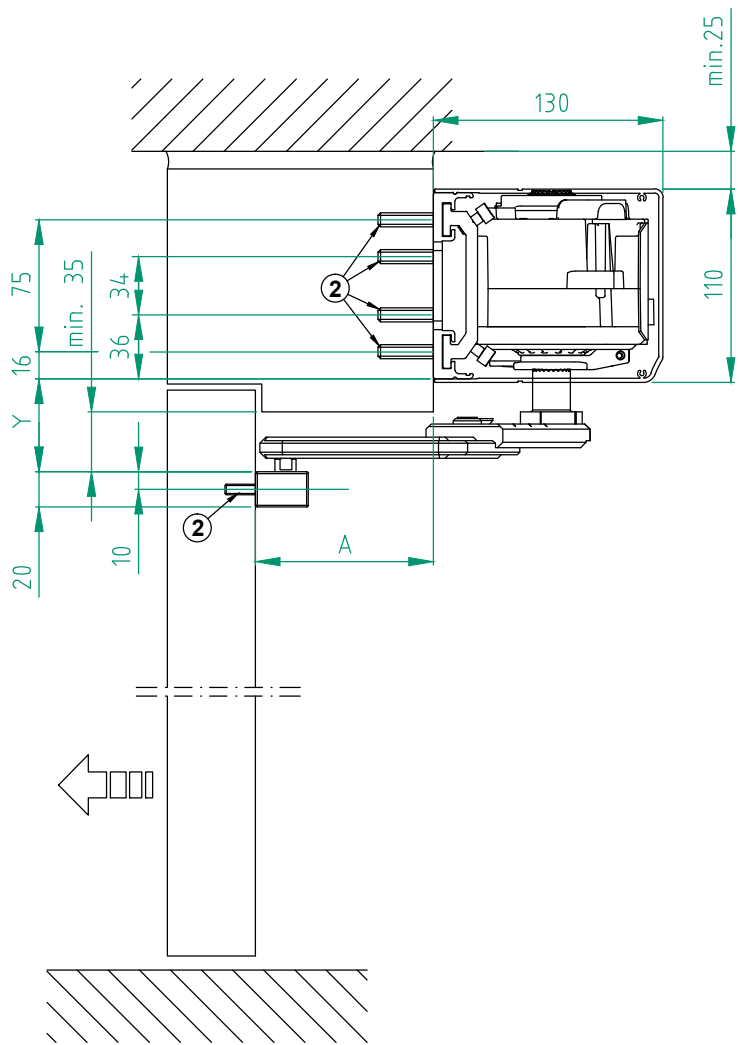
Date: _____

Sign: _____

Swing door operator
 ASSA ABLOY SW200-1, Sliding PUSH
 High Performance, DIN Left
 Art. No. 1009927

ASSA ABLOY

10.0 1009927-en



STATE WHEN ORDERING

Surface treatment

- Silver anodized
- Special anodized
- RAL
- Special powder coating

Cover end plates

- BK
- SI

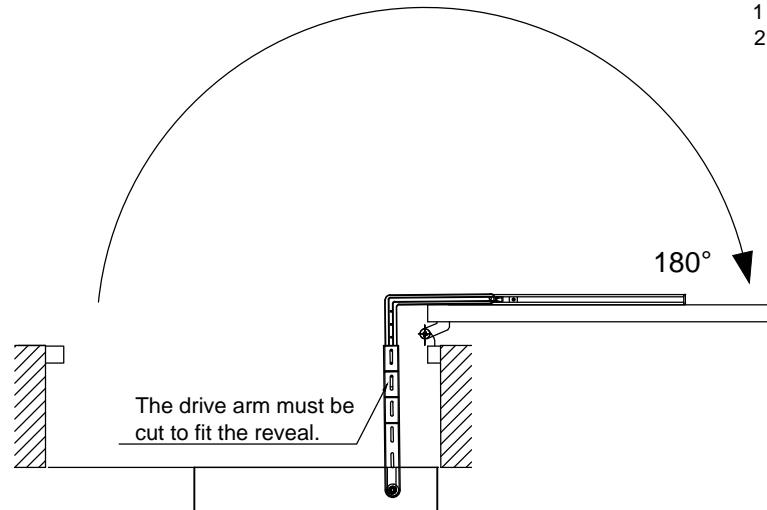
Options see layers:

- Standard cover
- Full length cover, CL = mm
 S = mm

If S is set to "0", no cutouts will be made.

- ⌀1 Hinges
- ⌀2 Operator drive shaft
- A Reveal A=0-305 mm
 Min. door width = 750 mm
- 1 Cable inlet
- 2 Reinforcements required in door leaf and at fixing holes

Y	Shaft extension
59	0
79	20
109	50
129	70



Customer: _____

Door id: _____

Project No: _____

Ref: _____

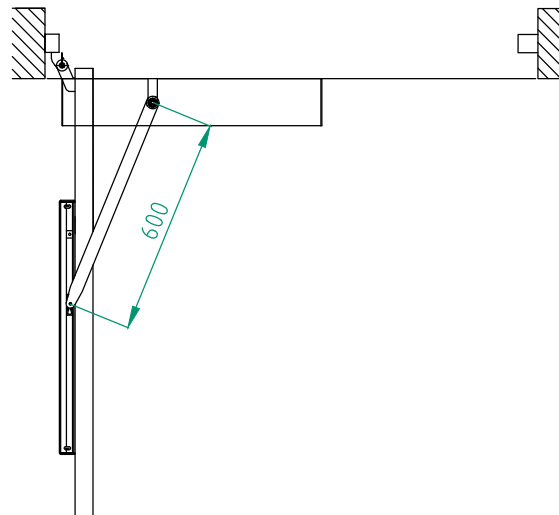
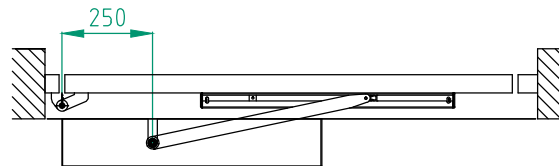
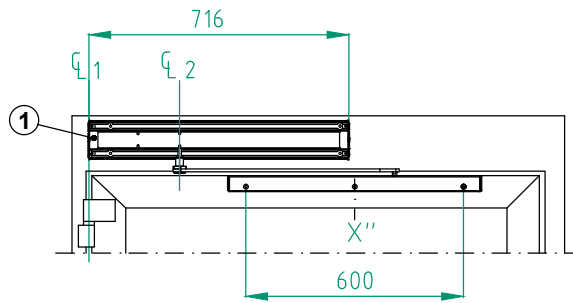
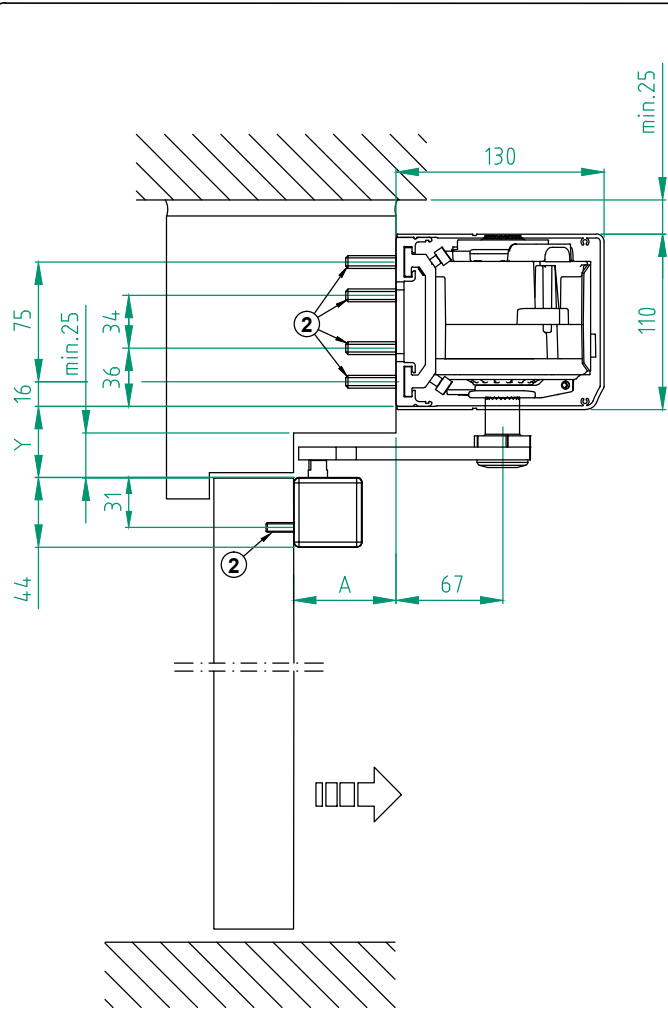
Date: _____

Sign: _____

Swinger door operator
 ASSA ABLOY SW200-1, PUSH 180°
 LE Performance, DIN Left
 Art. No. 1009927

ASSA ABLOY

10.0 1009927-en



STATE WHEN ORDERING

Surface treatment

- Silver anodized
- Special anodized
- RAL
- Special powder coating

Cover end plates

- BK
- SI

Options see layers:

- Standard cover
 - Full length cover, CL = mm
 R = mm
- If R is set to "0", no cutouts will be made.
- Extended reveal spacer

- ⌀1 Hinges
- ⌀2 Operator drive shaft
- A Reveal A=-20-230 mm
- X" Center of the guide shoe movement

Note! Low speed closing and opening distance will increase.
 Max. door opening = 110°
 Min. door width = 1050 mm

- 1 Cable inlet
- 2 Reinforcements required in door leaf and at fixing holes

Y	Shaft extension
46	0
67	20
95	50
116	70

Customer: _____

Door id: _____

Project No: _____

Ref: _____

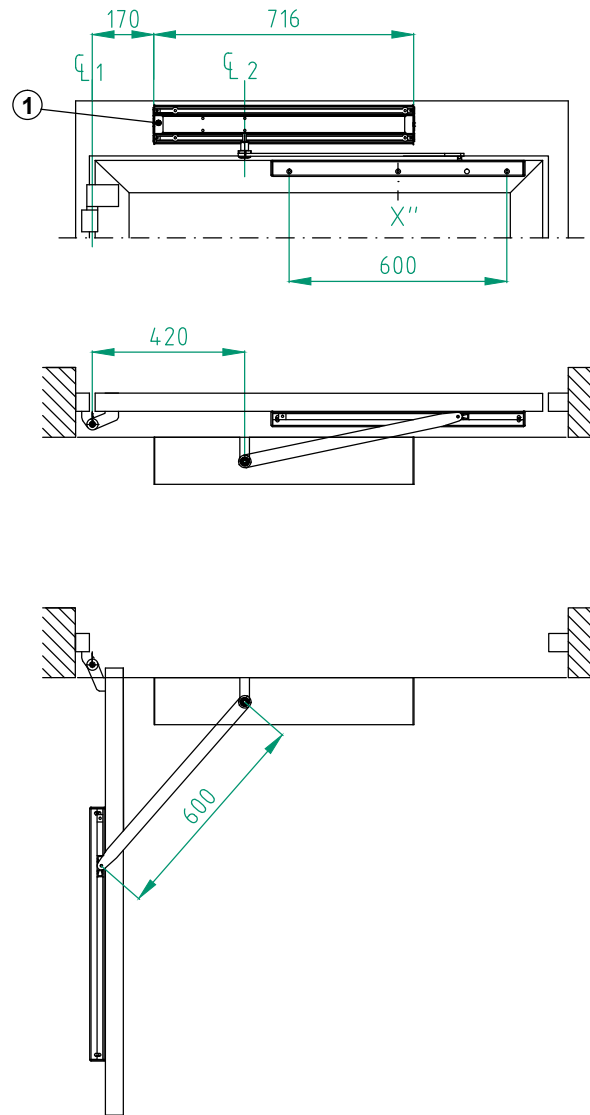
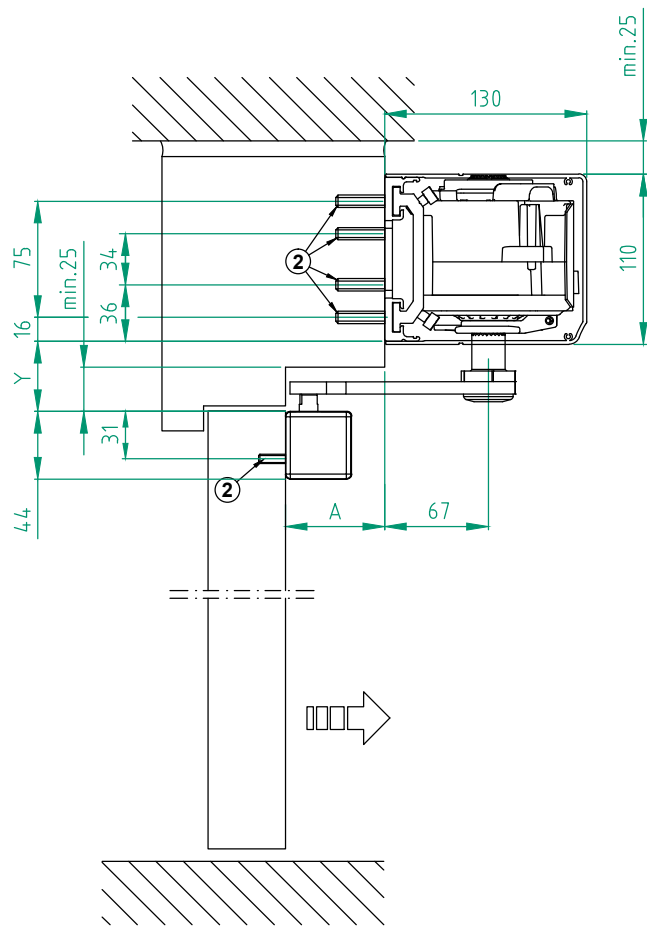
Date: _____

Sign: _____

Swing door operator
 ASSA ABLOY SW200-1, PULL-600 250
 High Performance, DIN Left
 Art. No. 1009927

ASSA ABLOY

10.0 1009927-en



STATE WHEN ORDERING

Surface treatment

- Silver anodized
- Special anodized
- RAL
- Special powder coating
-

Cover end plates

- BK
- SI

Options see layers:

- Standard cover
 - Full length cover, CL = mm
 R = mm
- If R is set to "0", no cutouts will be made.
- Extended reveal spacer

- ⌀1 Hinges
 - ⌀2 Operator drive shaft
 - A Reveal A=-20-230 mm
 - X'' Center of the guide shoe movement
- Note! Low speed closing and opening distance will increase.
 Max. door opening = 100°
 Min. door width = 1200 mm
- 1 Cable inlet
 - 2 Reinforcements required in door leaf and at fixing holes

Y	Shaft extension
46	0
67	20
95	50
116	70

Customer: _____

Door id: _____

Project No: _____

Ref: _____

Date: _____

Sign: _____

Swing door operator
 ASSA ABLOY SW200-1, PULL-600 420
 High Performance, DIN Left
 Art. No. 1009927

ASSA ABLOY

10.0 1009927-en

