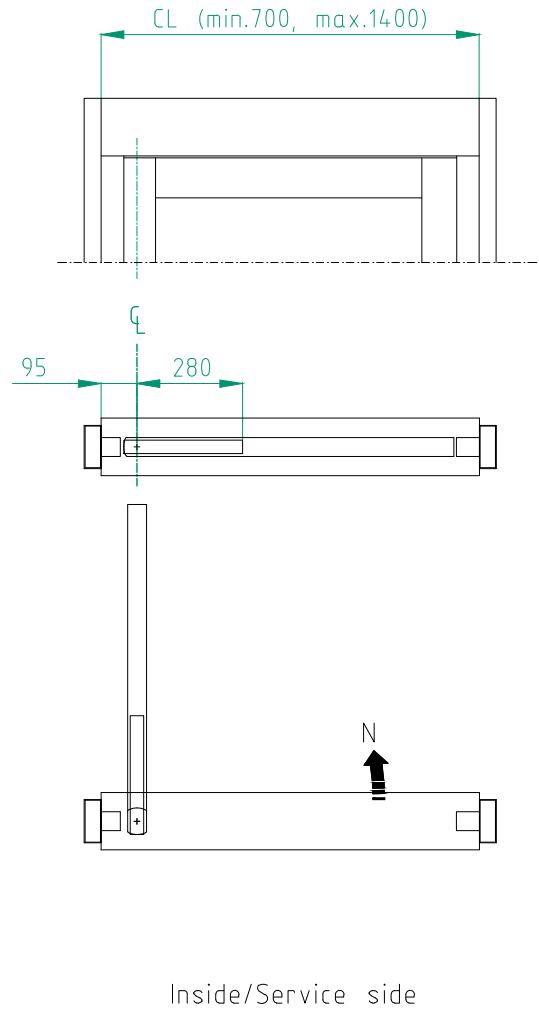
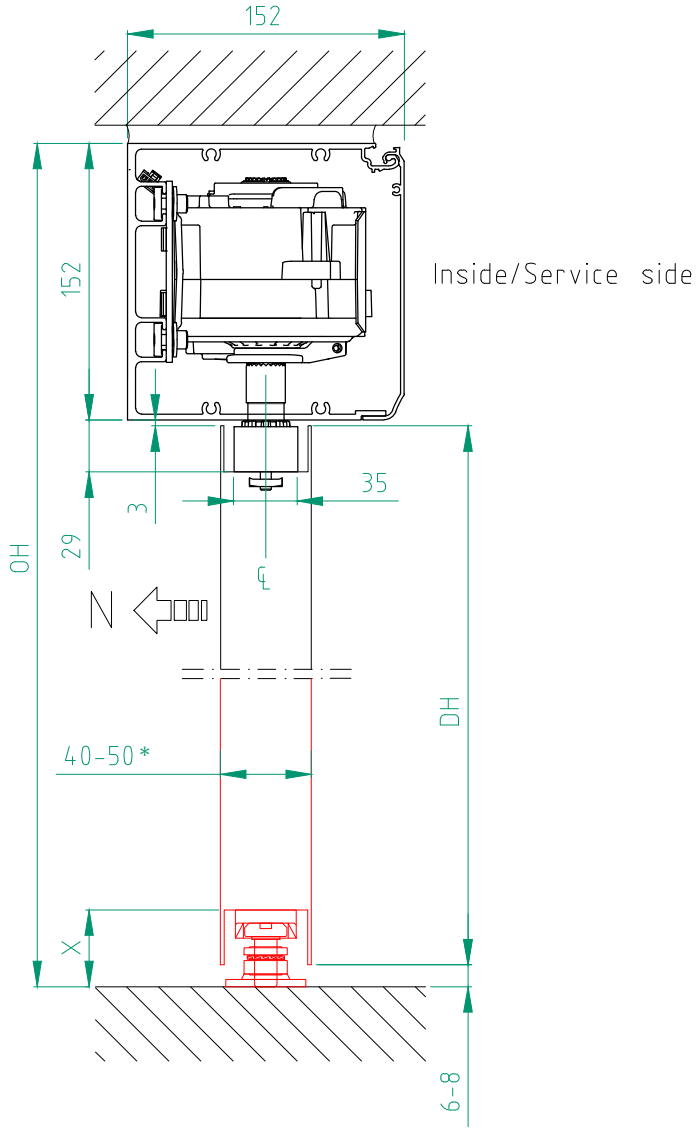


© All rights in and to this material are the sole property of ASSA ABLOY Entrance Systems AB. Copying, scanning, alterations or modifications are expressly forbidden without the prior written consent of the applicable company within ASSA ABLOY Entrance Systems AB. Rights reserved for changes without prior notice.



STATE WHEN ORDERING

CL = mm

- Surface treatment
- Silver anodized
 - Special anodized
 - RAL
 - Special powder coating

Cover end plates

- BK
- SI

Options see layers:

- With threshold
- Without threshold

- CL = Pivot point
- N = Normal opening direction
- CL = Header length
- DH = Door leaf height
- OH = Door opening height
- X = Pivot height
- * = min. 28 mm if additional Slim arm is used

Customer: _____

Door id: _____

Project No: _____

Ref: _____

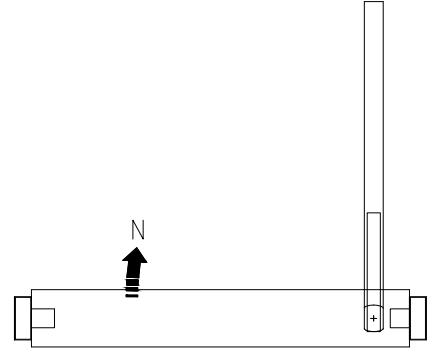
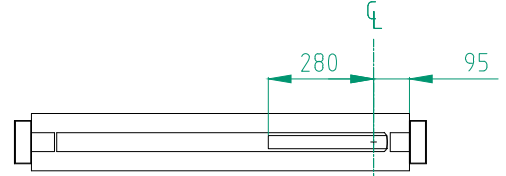
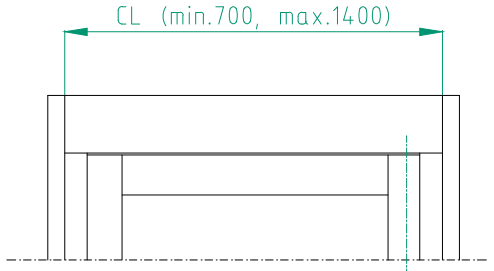
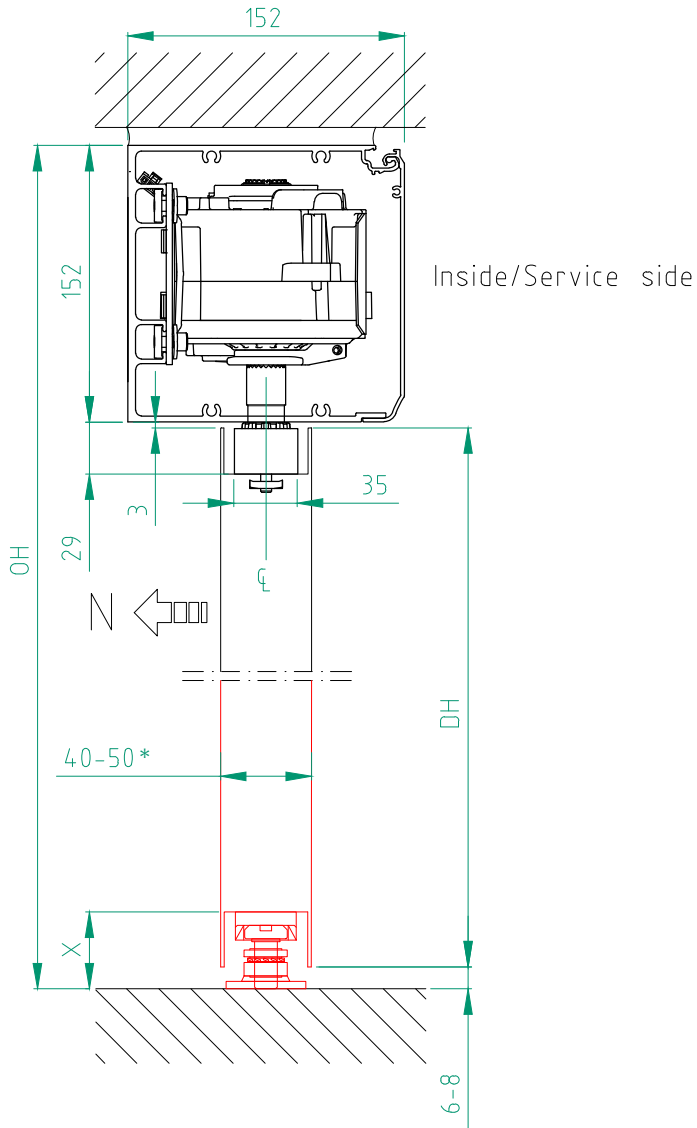
Date: _____

Sign: _____

Swing door operator
 ASSA ABLOY SW200-1 OHC
 Left hinged (LH), Outswing
 Art. No. 1010320

ASSA ABLOY
 5.0 1010320-EI

© All rights in and to this material are the sole property of ASSA ABLOY Entrance Systems AB. Copying, scanning, alterations or modifications are expressly forbidden without the prior written consent of the applicable company within ASSA ABLOY Entrance Systems AB. Rights reserved for changes without prior notice.



Inside/Service side

STATE WHEN ORDERING

CL = mm

Surface treatment

- Silver anodized
- Special anodized
- RAL
- Special powder coating
-

Cover end plates

- BK
- SI

Options see layers:

- With threshold
- Without threshold

- CL = Pivot point
- N = Normal opening direction
- CL = Header length
- DH = Door leaf height
- OH = Door opening height
- X = Pivot height
- * = min. 28 mm if additional Slim arm is used

Customer: _____

Door id: _____

Project No: _____

Ref: _____

Date: _____

Sign: _____

Swing door operator
 ASSA ABLOY SW200-1 OHC
 Right hinged (RH), Outswing
 Art. No. 1010320

ASSA ABLOY

5.0 1010320-EI