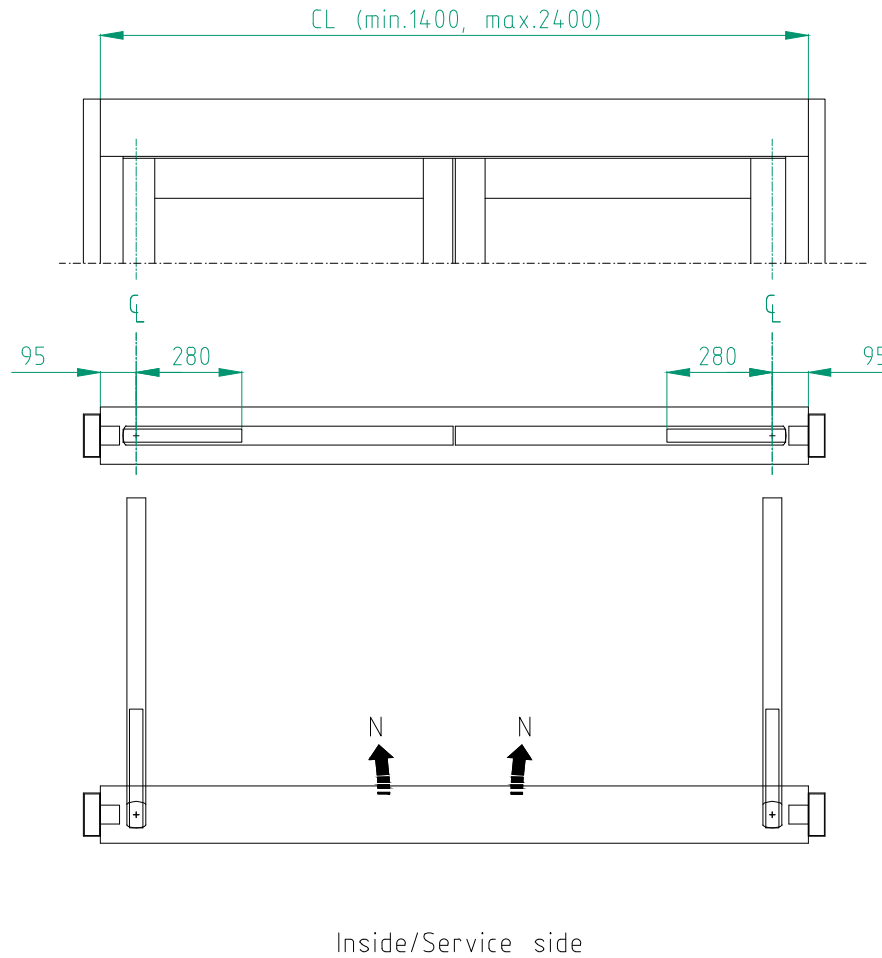
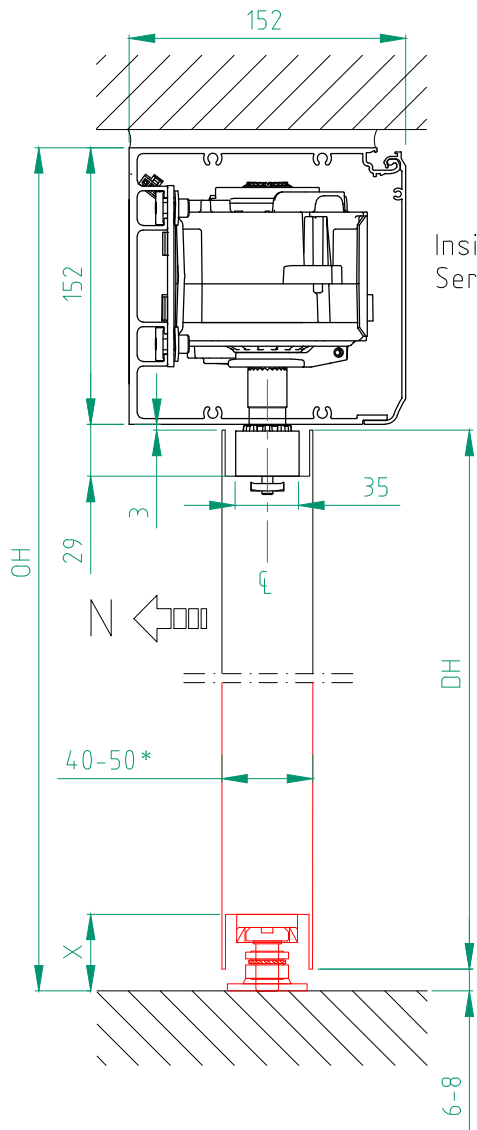


© All rights in and to this material are the sole property of ASSA ABLOY Entrance Systems AB.  
 Copying, scanning, alterations or modifications are expressly forbidden without the prior written consent of the applicable company within ASSA ABLOY Entrance Systems AB.  
 Rights reserved for changes without prior notice.



**STATE WHEN ORDERING**

CL = ..... mm

**Surface treatment**

- Silver anodized
- Special anodized .....
- RAL .....
- Special powder coating .....

**Cover end plates**

- BK
- SI

**Options see layers:**

- With threshold
- Without threshold

- ⊥ = Pivot point
- N = Normal opening direction
- CL = Header length
- DH = Door leaf height
- OH = Door opening height
- X = Pivot height
- \* = min. 28 mm if additional Slim arm is used

Customer:	
Door id:	
Project No:	

Ref:	
Date:	
Sign:	

Swing door operator  
 ASSA ABLOY SW200-2 OHC  
 Double, Outswing  
 Art. No. 1010331

**ASSA ABLOY**

6.0

1010331-EI