

STATE WHEN ORDERING

Surface treatment

- Silver anodized
- Special anodized
- RAL
- Special powder coating
-

Cover end plates

- BK
- SI

- $\varnothing 1$ Hinges
- $\varnothing 2$ Operator drive shaft
- A A= 0-130 mm

- 1 Cable inlet
- 2 Reinforcements required

Accessories needed:

- Arm system PULL-600 1014729BK/SI

Note: Door size 3

DIP switch setting:

ON=1 OFF=0			
AS 1	AS 2	AS 3	AS 4
DIP 5	DIP 6	DIP 7	DIP 8
1	1	1	0

Customer:

Ref:

Door id:

Date:

Project No:

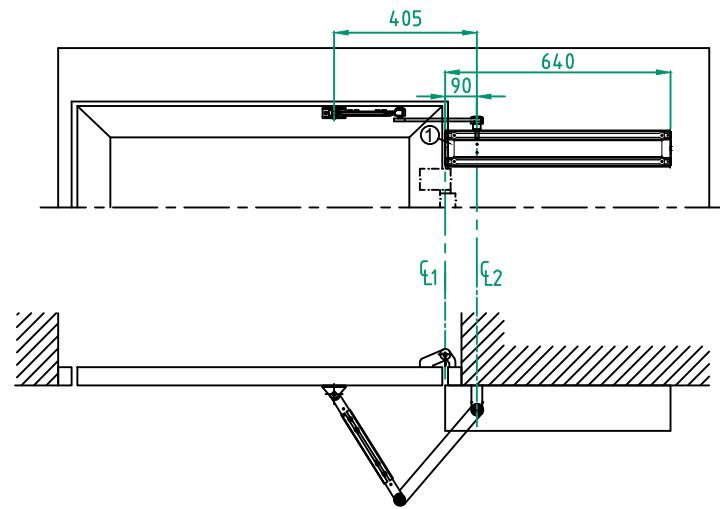
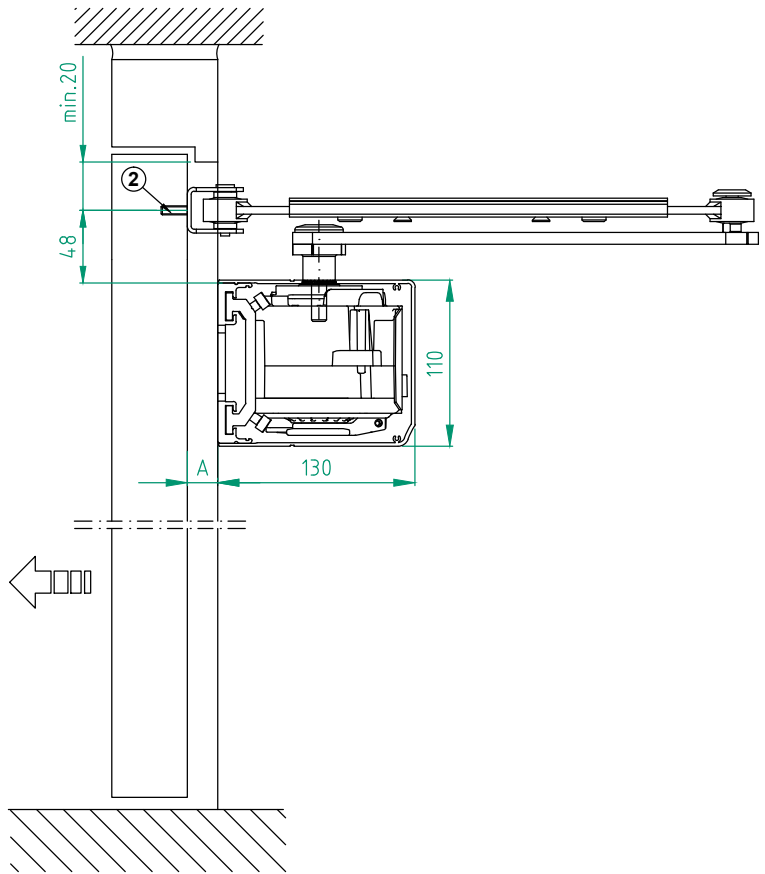
Sign:

Swing door operator
 ASSA ABLOY SW200 Shorty-1, PULL-600
 Side mounted, DIN Left
 Art. No. 1016931

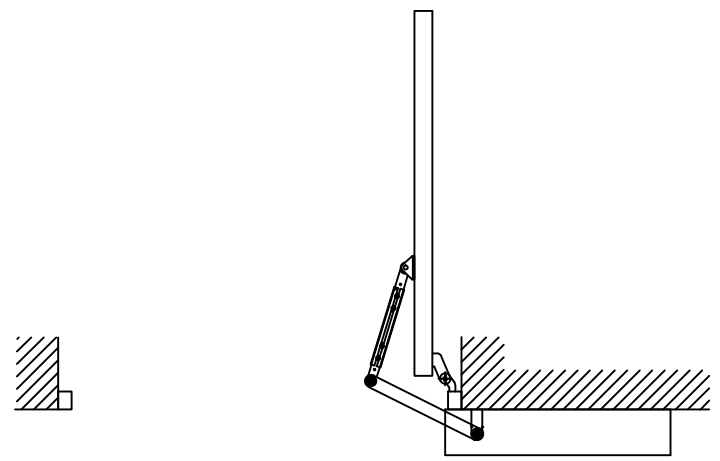
ASSA ABLOY

2.0

1017299-en



The arm system link shall be midway between outgoing shaft and door adaptor at closed door.



STATE WHEN ORDERING

- Surface treatment
 Silver anodized
 Special anodized
 RAL
 Special powder coating

- Cover end plates
 BK
 SI

- C₁ Hinges
 C₂ Operator drive shaft
 A A= 0-300mm

- 1 Cable inlet
 2 Reinforcements required

- Accessories needed:
 - Arm system PUSH-335 1007965BK/SI
 - Telescopic part 173005BK/SI

Note: Door size 4

DIP switch setting:

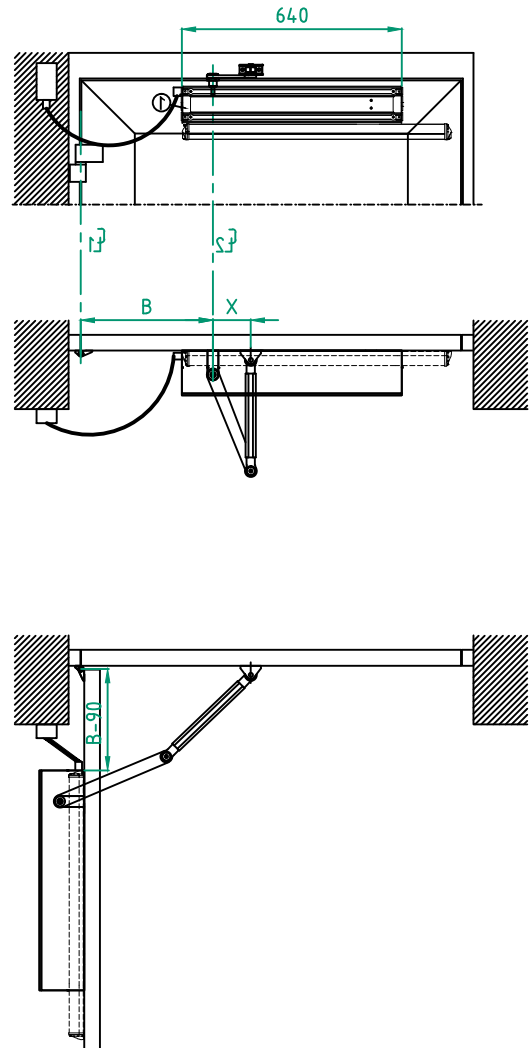
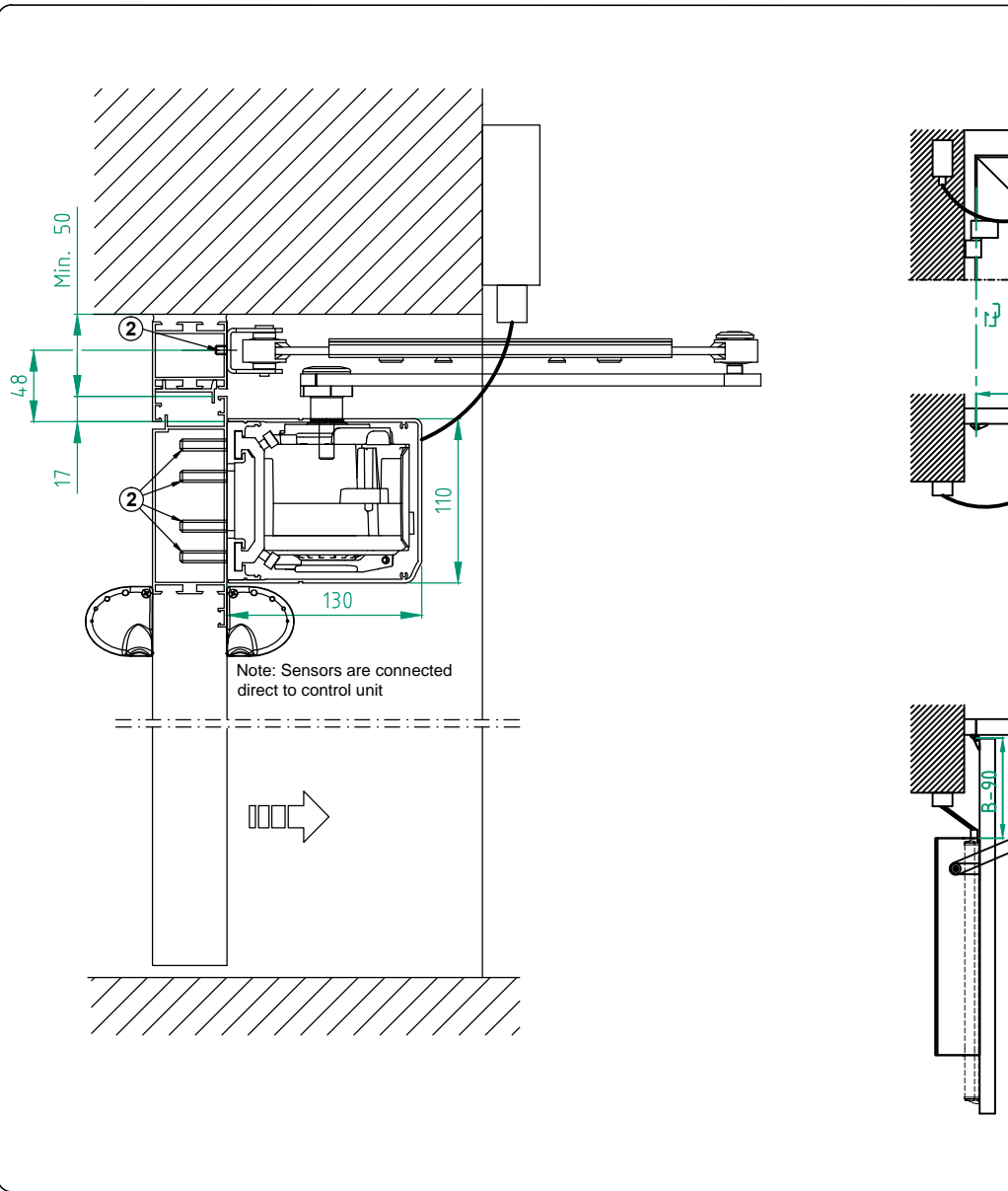
ON=1 OFF=0			
AS 1	AS 2	AS 3	AS 4
DIP 5	DIP 6	DIP 7	DIP 8
1	1	1	0

Customer: _____
 Door id: _____
 Project No: _____

Ref: _____
 Date: _____
 Sign: _____

Swing door operator
 ASSA ABLOY SW200 Shorty-1, PUSH-335
 Side mounted, DIN Left
 Art. No. 1016931

ASSA ABLOY
 2.0 1017299-en



STATE WHEN ORDERING

- Surface treatment
 Silver anodized
 Special anodized
 RAL
 Special powder coating

- Cover end plates
 BK
 SI

- C1 Hinges
 C2 Operator drive shaft

- 1 Cable inlet
 2 Reinforcements required

- Accessories needed:
 - Door mounting kit 100132
 - PUSH-335 1007965BK/SI

Note: Door size 7

DIP switch setting:

ON=1 OFF=0			
AS 1	AS 2	AS 3	AS 4
DIP 5	DIP 6	DIP 7	DIP 8
0	0	0	0

B	X
210#	60
245	70
280	80
315	90
350	100
385	110

If door opening angle is < 86°, use Arm system 1007241BK/SI

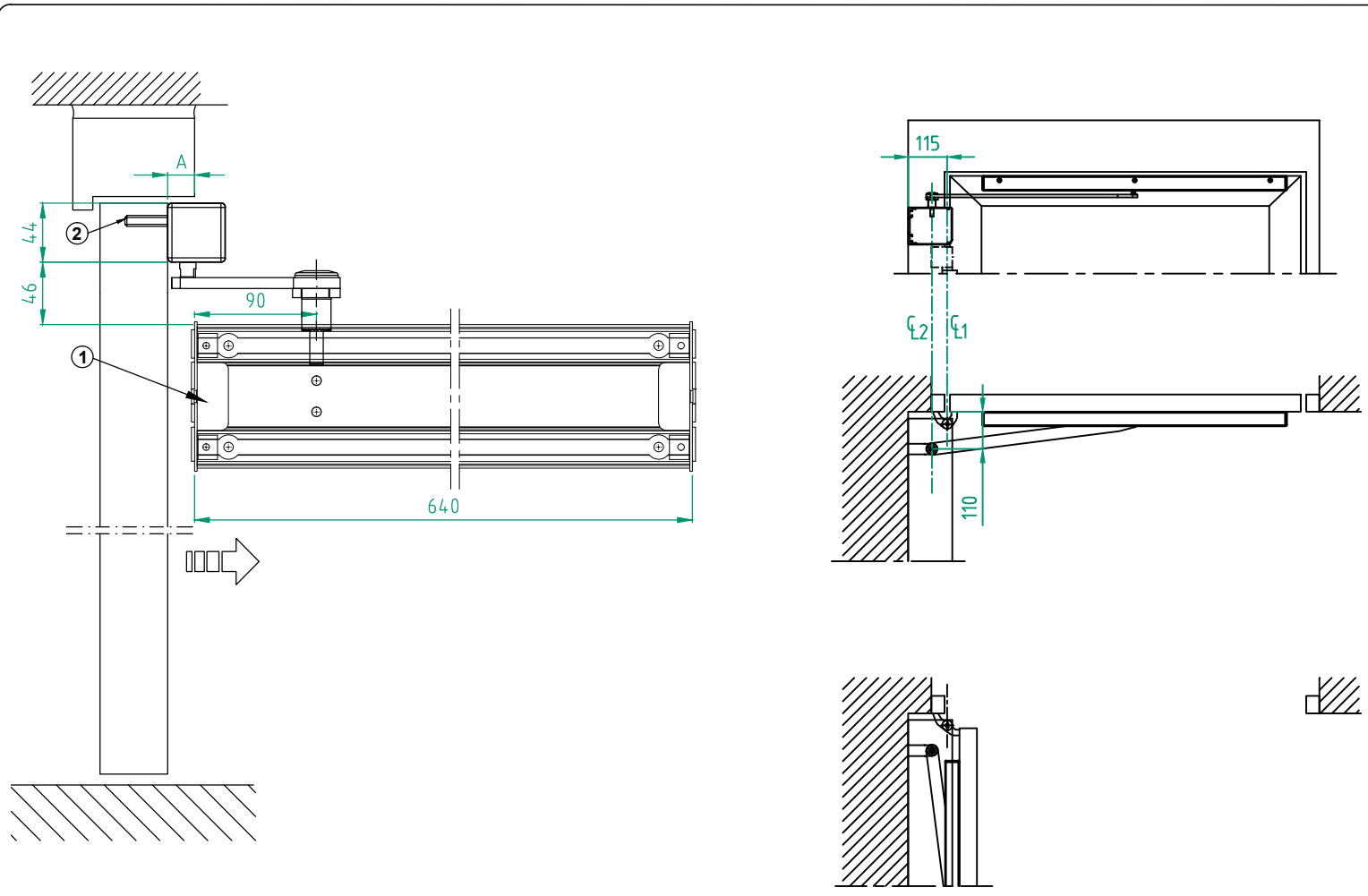
Customer: _____
 Door id: _____
 Project No: _____

Ref: _____
 Date: _____
 Sign: _____

Swing door operator
 ASSA ABLOY SW200-1, PUSH-335
 Door mounted, DIN Left
 Art. No. 1016931

ASSA ABLOY

2.0 1017299-en



STATE WHEN ORDERING

- Surface treatment
 Silver anodized
 Special anodized
 RAL
 Special powder coating

- Cover end plates
 BK
 SI

- \varnothing_1 Hinges
 \varnothing_2 Operator drive shaft
 A A= 20-130 mm

- 1 Cable inlet
 2 Reinforcements required

Accessories needed:
 - Arm system PULL-600 1014729BK/SI

Note: Door size 4

DIP switch setting:

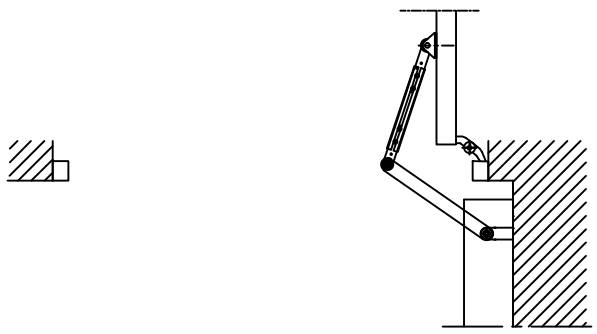
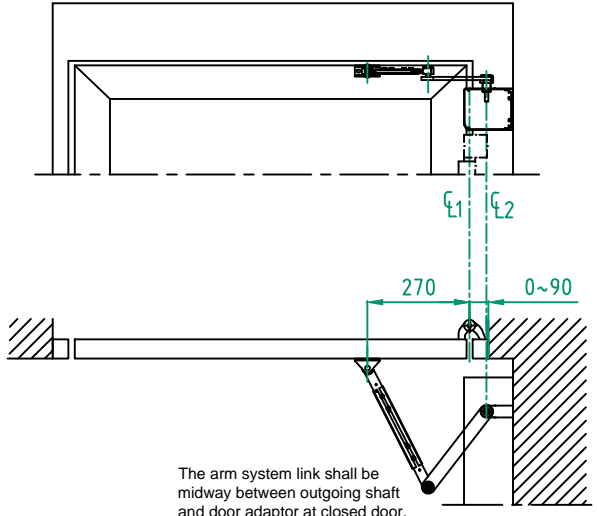
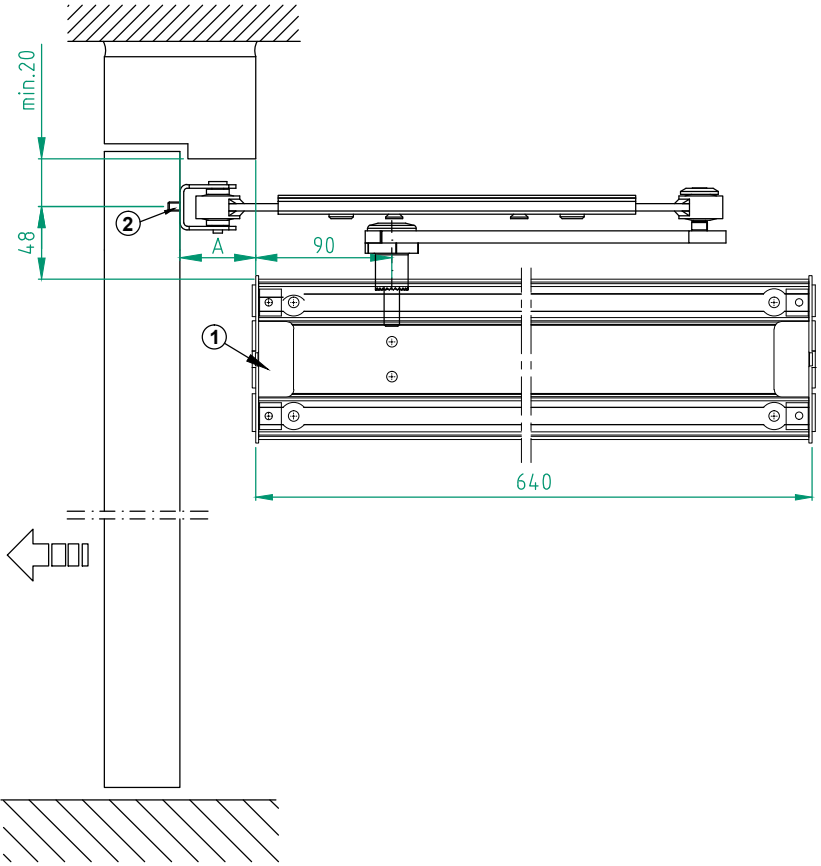
ON=1 OFF=0			
AS 1	AS 2	AS 3	AS 4
DIP 5	DIP 6	DIP 7	DIP 8
1	1	1	0

Customer: _____
 Door id: _____
 Project No: _____

Ref: _____
 Date: _____
 Sign: _____

Swing door operator
 ASSA ABLOY SW200-1, PULL-600
 Corridor mounted, DIN Left
 Art. No. 1016931

ASSA ABLOY
 2.0 1017299-en



STATE WHEN ORDERING

- Surface treatment
 Silver anodized
 Special anodized
 RAL
 Special powder coating

- Cover end plates
 BK
 SI

- ☒₁ Hinges
 ☒₂ Operator drive shaft
 A A= 0-300 mm

- 1 Cable inlet
 2 Reinforcements required

Accessories needed
 - Use arm system PUSH-335 1007965BK/SI

Note: Door size 4

DIP switch setting:

ON=1 OFF=0			
AS 1	AS 2	AS 3	AS 4
DIP 5	DIP 6	DIP 7	DIP 8
1	1	1	0

Customer: _____

Door id: _____

Project No: _____

Ref: _____

Date: _____

Sign: _____

Swing door operator
 ASSA ABLOY SW200-1, PUSH-335
 Corridor mounted, DIN Left
 Art. No. 1016931

ASSA ABLOY

2.0 1017299-en