

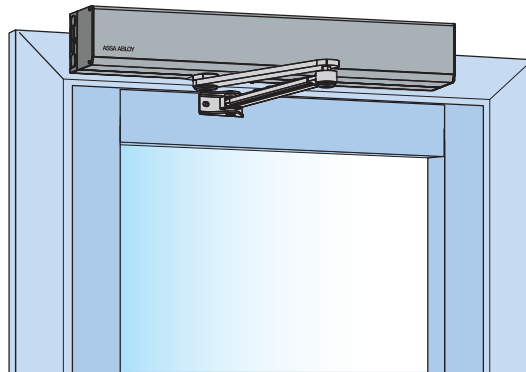
User Manual

Swing Door Operator

ASSA ABLOY SW200

ASSA ABLOY
Entrance Systems

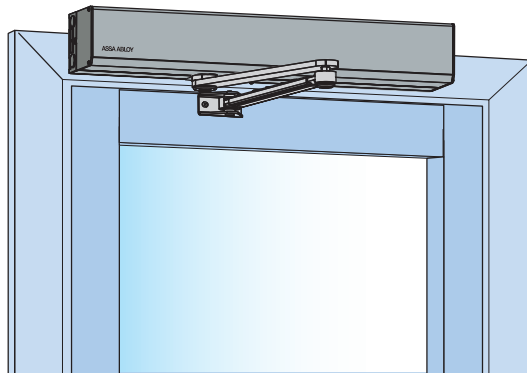
Experience a safer
and more open world



Swing Door Operator ASSA ABLOY SW200

User Manual

Original instructions



CONTENTS - Original instructions

Instructions for safe operation	5
Congratulations on your new automatic door!	6
Electronic equipment reception interference	6
Environmental requirements	6
Product liability	6
Warranty	7
Service	7
Intended use	8
Technical specification	8
How the ASSA ABLOY SW200 works	9
ASSA ABLOY SW200 Variations	9
Regular safety checks	10
General accessories	13
Safety accessories	13
Troubleshooting	13
Service/Maintenance	14
Other products from ASSA ABLOY Entrance Systems	14
Declaration of conformity	15

ASSA ABLOY as word and logo are trademarks owned by the ASSA ABLOY Group

© ASSA ABLOY Entrance Systems, 2021

Technical data subject to change without notice.

Instructions for safe operation



- Failure to observe the information in this manual may result in personal injury or damage to equipment.
- To reduce the risk of injury to persons - use this operator with single or double pedestrian swinging or folding doors only.
- Do not use the equipment if repair or adjustment is necessary.
- Disconnect supply when cleaning or other maintenance is to be carried out.
- The operator can be used by children over 8 years of age if they have been instructed by a person in charge of their safety.
- The operator can be used by children 8 years of age or younger if they are supervised by a person responsible for their safety.
- The operator can be used by persons with impaired physical, sensory or mental capacity if they have been instructed by a person in charge of their safety.
- Cleaning and user maintenance shall not be made by children.
- Do not let anyone climb on or play with the door or the fixed/remote controls.
- The doorset can be operated automatically by sensors or manually by activators. It can also be used manually as a door closer.

Congratulations on your new automatic door!

ASSA ABLOY Entrance Systems AB has developed automatic doors for more than 50 years. State-of-the-art technology and carefully tested materials and components provide you with a superior product.

As with all other technical products, your automatic door requires periodic maintenance and service. It is essential that you know your automatic door (system) and that you recognize the importance of maintaining it in compliance with applicable standards for safety.

Your local ASSA ABLOY Entrance Systems-authorized representative is familiar with these standards, as well as applicable local codes and ASSA ABLOY Entrance Systems recommendations for power-operated pedestrian doors. Service and adjustments performed by your ASSA ABLOY Entrance Systems-authorized representative, will ensure safe and proper operation of your automatic door unit.

Electronic equipment reception interference

The equipment may generate and use radio frequency energy and if not installed and used properly, it may cause interference to radio, television reception or other radio frequency type systems.

If other equipment does not fully comply with immunity requirements, interference may occur.

There is no guarantee that interference will not occur in a particular installation. If this equipment does cause interference to radio or television reception, which can be determined by turning the equipment off and on, the user is encouraged to try to correct the interference by one or more of the following measures:

- Re-orient the receiving antenna.
- Relocate the receiver with respect to the equipment.
- Move the receiver away from the equipment.
- Plug the receiver into a different outlet so that equipment and receiver are on different branch circuits.
- Check that protective earth (PE) is connected.

If necessary, the user should consult the dealer or an experienced electronics technician for additional suggestions.

Environmental requirements

ASSA ABLOY Entrance Systems products are equipped with electronics and may also be equipped with batteries containing materials which are hazardous to the environment. Disconnect power before removing electronics and battery and make sure it is disposed of properly according to local regulations (how and where) as was done with the packaging material.

Product liability

According to regulations, the following are the responsibility of the owner or caretaker of the equipment

- that the equipment operates correctly, so that it gives sufficient protection in regard to safety and health
- that the equipment is operated and regularly maintained, inspected and serviced by someone with documented competence in the equipment and in applicable regulations
- that the provided "Service Log Book" and "Site Acceptance Test and Risk Assessment" documents (PRA-0007) are kept available for maintenance and service records
- that inspection covers the emergency opening function (when applicable)
- that the closing force is appropriate for the door size on fire-approved door systems (when applicable).

Warranty

ASSA ABLOY Entrance Systems warrants its products to be free from defects in material and workmanship under intended use and service for a warranty time of 12 months, beginning at time of delivery. This warranty extends only to the original buyer of the equipment.

ASSA ABLOY Entrance Systems warrants that the software will operate substantially in accordance with its functional descriptions and that it has been recorded on non-defective media.

The ASSA ABLOY Entrance Systems warranty does not apply to

- That the software will be error-free or operate without interruption
- General wear and tear on the system
- Fuse, disposable batteries and glass damage
- System deviations caused by installer other than ASSA ABLOY Entrance Systems
- System that has been altered or damaged by vandalism or misuse
- System that has been additionally equipped with non-ASSA ABLOY Entrance Systems original branded parts and/or spare parts
- Unrequired visits due to poor client communication (door working when our technician arrives, reset, power discontinuation)
- Adjustments (closing and opening speed and also detection field radars) due to customer requests (excludes operational adjustments thought to create a hazard)
- Water damage
- Adverse weather conditions
- Any damage caused, directly or indirectly, by a circumstance beyond the control of the applicable company within ASSA ABLOY Entrance Systems, such as industrial dispute, fire, natural disaster, war, extensive military mobilization, insurrection, requisition, seizure, embargo, restrictions in the use of power and defects or delays in deliveries by sub-contractors caused by any such circumstances

Please note:

- Non-compliance with manufacturers care and maintenance recommendations may void the warranty.
- ASSA ABLOY Entrance Systems-authorized resellers shall extend this warranty to end-users only, but have no authority to extend a greater or different warranty on behalf of ASSA ABLOY Entrance Systems.
- A service agreement with ASSA ABLOY Entrance Systems will help secure the availability of a fully operational system and will give priority at call-out, thus minimizing the time that the equipment is unusable.

Service

Inspections should be done regularly by a trained and qualified person. The frequency of these inspections should be according to national regulations (or according to industry standard if there are no national regulations). This is especially important when the installation concerns a fire-approved door or a door with an emergency-opening function. To extend the life of your investment and ensure safe and reliable operation of the door, we recommend a minimum of 2 visits per year or more, depending on usage and operating conditions. Environmental aspects shall also be considered.

As your entrances are part of your business flow, there's every reason to keep them working well. ASSA ABLOY Entrance Systems offers you a maintenance and modernization expertise to rely on. Our Maintenance Programs and Modernization Services for entrance automation is backed by a extensive expertise for all types of pedestrian- and industrial door and docking systems, independent of brand. At your disposal is a team of dedicated expert technicians, proven through decades of maintenance, service and satisfied customers.

Intended use

The ASSA ABLOY SW200 is an automatic swing door operator developed to make life easier for everyone who can benefit from automatic doors. The ASSA ABLOY SW200 is a low-energy operator using a DC motor and a gear-reduction system to drive an arm system, which opens the door. It is to be installed indoors where it is suitable for almost all types of external and internal swing doors. This widely-used operator can be found in applications in health care, residential, office and public buildings.

The door is designed to offer continuous use, a high degree of safety and maximum lifetime. The system is self-adjusting to the effects caused by normal variations in the weather conditions and to minor friction changes caused by e.g. dust and dirt.

For escape in emergency situations the doorset is opened manually.

For installation and maintenance see Installation and Service manual 1009728 for surface applied installation and 1009936 for overhead concealed installation.

Save these instructions for future reference.

Technical specification

Manufacturer:	ASSA ABLOY Entrance Systems AB
Address:	Lodjursgatan 10, SE-261 44 Landskrona, Sweden
Type:	ASSA ABLOY SW200
Mains power supply:	100-240 V AC +10/-15%, 50/60 Hz
Power consumption:	Max. 300 W
Class of protection:	IP20
Sound pressure:	$L_{pa} \leq 70 \text{ dB}(A)$
Approvals:	Third party approvals from established certification organizations valid for safety in use, see Declaration of Conformity.

How the ASSA ABLOY SW200 works

The swing door operator ASSA ABLOY SW200 uses a DC motor which is connected to the output shaft by a combination of a bevel gear and spur gears. The arm system that is connected to the output shaft opens the door in a wall mounted application.





There is also an adjustable spring mechanism connected to the output shaft. During opening of the door, the clock spring is tensioned by the rotation of the output shaft. During the closing cycle, the accumulated spring force is acting in the closing direction. The spring force can be adjusted so there is appropriate force to close the door when it is operated manually or in case of a power failure.

To activate the operator you can use a manual activator (elbow switch) or an automatic activator (radar device). It is also possible – where local standards allow – to activate the operator by just pushing the door, if Push & Go is selected.

After the door has been activated it will open and stay open for a specified Hold Open Time (HOT). When the HOT has elapsed the door will close.

The ASSA ABLOY SW200 can be set in three or four different modes, depending on optional programme selector type, see table below.

In fully manual use (or in case of a power failure) the ASSA ABLOY SW200 acts as a normal door closer.

Position	Function
 OFF	The door is closed. The door cannot be opened with inner and outer activation units. The door is locked if an electromechanical locking device has been fitted. The door can be opened with a key switch (if fitted).
 EXIT	Passage from inside only. The door is normally locked if an electromechanical locking device has been fitted. The door can only be opened with the inner activation unit and with a key switch (if fitted).
 AUTO Normal position	The door can be opened with the inner and outer manual and/or automatic activators. The electric strike, if fitted, is open.
 OPEN	The door is held permanently open by the motor.

ASSA ABLOY SW200 Variations

ASSA ABLOY SW200 -SA-152X152:	Surface applied application in 152 mm wide x 152 mm high header
ASSA ABLOY SW200 -OHC:	OHC application in 152 mm wide x 152 mm high header

Regular safety checks

To help you fulfill the national/international requirements and to avoid malfunction and risk for injuries, we have provided the following checklist.



Do not use the operator if repair or adjustment is necessary.

Disconnect supply ⁽¹⁴⁾ when cleaning or other maintenance is to be carried out.

Daily Action		If problem occurs	
Activate your operator and check <i>visually</i> , fastening and any damage of <ul style="list-style-type: none"> • operator ⁽¹⁾ • arm system ⁽²⁾ • cables ⁽³⁾ • control switch ⁽⁴⁾ • hinges ⁽⁵⁾ • door and glass ⁽⁶⁾ 			
Also inspect your operator and check <i>visually</i> for <ul style="list-style-type: none"> • sharp edges on the door leaf and door frame (if any) ⁽⁷⁾ • condition of door seals ⁽⁸⁾ • finger protection ⁽⁹⁾ • and finally that the complete door runs properly and closes slowly in a smooth way 		 	
Set the mode selector to OFF and check that the operator and electromechanical lock (if fitted) work together. Also check that the lock ⁽¹⁰⁾ really secures the door.			
Activate the manual activation units ⁽¹¹⁾ , if any, and walk towards the door. Check that the door has opened appropriately while you pass the entrance/exit. Then proceed with the automatic activation units ⁽¹²⁾ in the same way.			
Check the safety sensors ⁽¹³⁾ if any, by standing in the swing path and activate the operator. The door must not hit you when opening nor when closing. If you are unsure of which type of sensor you have, please contact your ASSA ABLOY Entrance Systems representative.			
Escape doors	By law, these tests must be performed regularly by trained personnel.	Set the programme selector in AUTO mode. Push the door manually in escape direction and make sure that no object or function will prevent the door from opening. Also make sure the escape route is free for use.	
Fire doors		Let the door close after an impulse ensuring nothing prevents the door from closing and locking (if regulations require it).	

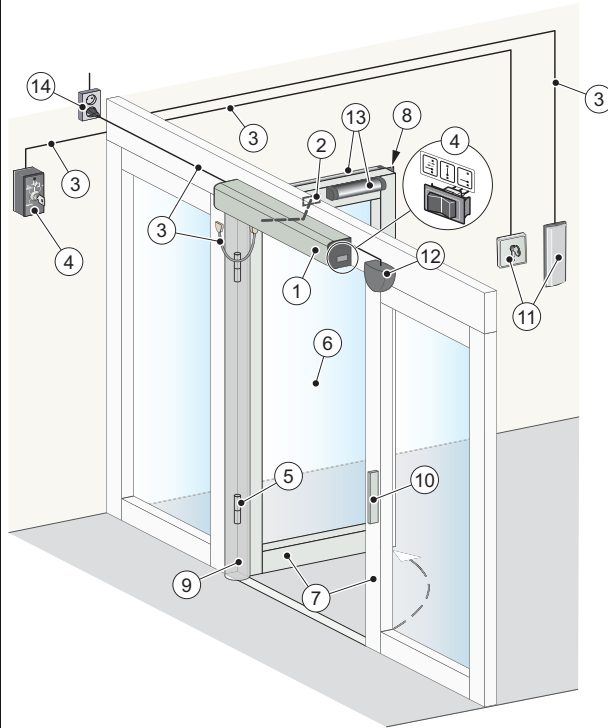


= Take appropriate measures.



= Contact your ASSA ABLOY Entrance Systems representative. For contact information, see last page.

FUNCTION AND VISUAL INSPECTION



Surface Applied shown

CLEANING


The best way to remove dust and dirt from the ASSA ABLOY SW200 is to use water and a soft cloth or a sponge. A gentle detergent may be used. To maintain the quality of the surface treatment, the surfaces should be cleaned once/four months period. The cleaning should be documented. To avoid damages to the profiles the brushes/weather stripping must be vacuum-cleaned weekly.


- Do not expose windows, doors or profiles to alkalis. Both aluminium and glass are sensitive to alkalis.
- Do not clean with high pressure water. Operator, mode selector and sensor may be damaged and water may enter the profiles.
- Do not use polishing detergent.
- Do not scrub with materials like Scotch-brite, as this will cause mechanical damage.

SIGNAGE



Surface Applied shown

Action		If problem occurs
Check that all required signage is applied and intact. Mandatory indicates that the signage is required by European directives and equivalent national legislation outside the European Union.		
(A)	Product label: Mandatory	
(B)	Emergency break-out: Mandatory, if approved for escape route.	
(C)	ASSA ABLOY Entrance Systems door sticker: Mandatory, if applicable to highlight the presence of the glass (applied to all glass sections that are moving).	
(D)	Supervision of child (applied to both sides of the door): Mandatory according to national regulations. Recommended, if the risk analysis shows use by children.	
(E)	Operator designed for disabled people: Recommended, if applicable (applied to both sides of the door).	
(F)	Activation by disabled people: Recommended, if applicable.	
(G)	No entry, identifying one-way traffic: Mandatory in GB and US, if applicable, not included in the product.	
(H)	Automatic door	
(J)	Keep clear	
(K)	SITAC label: Mandatory in SE	

 = Contact your ASSA ABLOY Entrance Systems service representative. For contact information, see last page.

General accessories

- Control switch ④, [see page 11](#)
- Electrical lock ⑩, [see page 11](#)
- Key switch ⑪, [see page 11](#)
- Elbow switch ⑪, [see page 11](#)
- Radar ⑫, [see page 11](#)
- Wireless transmitters (not illustrated)
- Access control (not illustrated)
- Door stop (not illustrated)

Safety accessories

- Safety sensors ⑬, [see page 11](#).
- Finger protection ⑨, [see page 11](#).

Troubleshooting

What's wrong?	Remedies
The door does not open	
The motor does not start	Change the setting of the mode selector. (See page 9).
	Check that there are no objects in the detection zone if a sensor is fitted.
	Check the mains power and fuse in the building.
The motor starts but door(s) will not open	Unlock the mechanical locks.
	Check that nothing is jammed beneath the door.
The door does not close	Change the setting of the mode selector. (See page 9).
	Check that there are no objects in the detection zone if a sensor is fitted.
	Check that nothing is jammed beneath the door.
The door opens and closes continuously	Check that there are no moving objects within 1-1.5 m (39"-59") from the door if an automatic activation unit is fitted.
If the problem continues, please contact your ASSA ABLOY Entrance Systems representative.	

Service/Maintenance

Service and adjustments performed by your ASSA ABLOY Entrance Systems-authorized representative will ensure safe and proper operation of your automatic door unit.

Remember to keep “Service Log Book” and “Site Acceptance Test and Risk Assessment” documents (PRA-0007) available. These are used together.

The table below shows the recommended interval in months, when to replace parts during preventive maintenance. Talk to your ASSA ABLOY Entrance Systems representative to learn more about our service offering.

Part	Part number	Cycles/hour in operation			Abusive Environment
		<10	<100	>100	
		Low traffic	Medium traffic	High traffic	
PUSH arm service kit	330000271 SI/BK	24	12	6	6
PULL arm service kit	330000272 SI/BK	24	12	6	6
Stop arm kit	330000276	24	12	6	6
Micro switch kit	330000275	24	12	6	6
Adaptor kit	330000270 SI/BK	24	12	6	6
Transmission unit	331007291	60	60	60	60
Control unit CU-200 with EXU-boards	331008346	60	60	60	60
Battery	33738753	24	24	24	24

Other products from ASSA ABLOY Entrance Systems

- Door Systems
- Balance doors
- Air curtains
- Revolving doors
- Sliding doors
- Automatic and manual activation units
- Overhead sectional doors
- Service such as preventive maintenance and upgrade programs, emergency repairs, service advice and door management
- Vertical lifting fabric doors
- Dock levelers
- Dock shelters
- Folding doors
- High speed doors
- Loadhouses

We **ASSA ABLOY Entrance Systems AB**
Lodjursgatan 10
SE-261 44 Landskrona
Sweden

declare under our sole responsibility that the type of equipment:
SW200

complies with the following directives:

2014/30/EU ElectroMagnetic Compatibility Directive (EMCD)

2006/42/EC Machinery Directive (MD)

2011/65/EU on the restriction of the use of certain hazardous substances in electrical and electronic equipment with the applicable amendments (RoHS)

Harmonized European standards which have been applied:

EN ISO 13849-1:2015

EN 60335-1:2012+A11:2014

EN 60335-2-103:2015

EN 61000-6-2:2005

EN 61000-6-3:2007+A1:2011

EN 16005:2012/AC:2015

Other standards or technical specifications, which have been applied:

FCC 47 CFR Part 15 B

UL 325

IEC 60335-1 ed 5:2010

IEC 60335-2-103: ed. 2.1:2011

EN 1634-1:2008

Certificate issued by a notified or competent body (for full address, please contact ASSA ABLOY Entrance Systems AB) concerning the equipment:

SC0072-14

UL File E47833

UL File R9469

The manufacturing process ensures the compliance of the equipment with the technical file. The manufacturing process is regularly assessed by 3rd party.

The CE mark was first applied 2013-11-04.

Compilation of technical file:

Anders Forslind

ASSA ABLOY Entrance Systems AB

Lodjursgatan 10

SE-261 44 Landskrona

Sweden

Place
Landskrona

Date
2021-04-16

Signature
Klas Hagelin

Position
Global Quality Manager



ASSA ABLOY Entrance Systems is a leading supplier of entrance automation solutions for efficient flow of goods and people. Building on the long-term success of the Besam, Crawford, Albany and Megadoor brands, we offer our solutions under the ASSA ABLOY brand. Our products and services are dedicated to satisfying end-user needs for safe, secure, convenient and sustainable operations. ASSA ABLOY Entrance Systems is a division within ASSA ABLOY.

assaabloyentrance.com



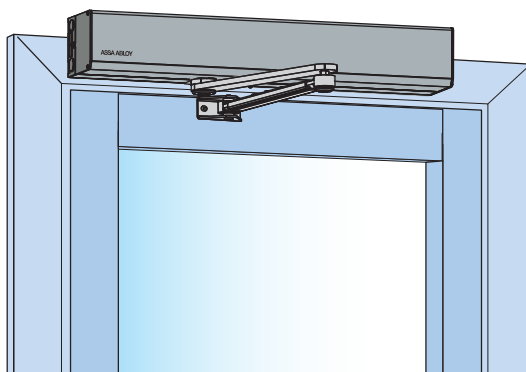
ASSA ABLOY Entrance Systems

Tel: +46 10 47 47 000
info.aaes@assaabloy.com
assaabloyentrance.com

Pohon pro křídlové dveře ASSA ABLOY SW200

Uživatelská příručka

Originální pokyny



OBSAH

Pokyny k bezpečnému provozu	19
Blahopřejeme vám k nákupu nových automatických dveří!	20
Rušení příjmu elektronického zařízení	20
Požadavky související se životním prostředím	20
Odpovědnost za výrobek	20
Záruka	21
Servis	21
Účel použití	22
Technické specifikace	22
Jak systém ASSA ABLOY SW200 pracuje	23
ASSA ABLOY SW200 Varianty	23
Pravidelné bezpečnostní kontroly	24
Univerzální příslušenství	28
Bezpečnostní příslušenství	28
Řešení potíží	28
Servis/údržba	29
Ostatní produkty společnosti ASSA ABLOY Entrance Systems	29
Prohlášení o shodě	30

ASSA ABLOY je ve své slovní formě či v podobě loga ochrannou známkou vlastněnou společností ASSA ABLOY Group

© ASSA ABLOY Entrance Systems, 2021

Technická data mohou být změněna i bez předchozího upozornění.

Pokyny k bezpečnému provozu



- Nedodržením těchto informací může dojít ke zraněním osob nebo poškození zařízení.
- K omezení nebezpečí zranění osob použijte tento pohon pouze u křídlových dveří s jedním či dvěma křídly a u skládacích dveří pro pěší.
- Zařízení nepoužívejte, pokud je nutná jeho oprava či seřízení.
- Před čištěním či prováděním jiných úkonů údržby odpojte napájení.
- Pohon mohou používat děti od 8 let, pokud byly poučeny osobou odpovědnou za jejich bezpečnost.
- Pohon mohou používat děti od 8 let nebo mladší, pod dohledem osoby odpovědné za jejich bezpečnost.
- Pohon mohou používat osoby s omezenými fyzickými, smyslovými či duševními schopnostmi, pokud byly poučeny osobou odpovědnou za jejich bezpečnost.
- Čištění a uživatelskou údržbu nesmějí provádět děti.
- Nedovolte, aby někdo na dveře šplhal nebo si hrál s dveřmi či s pevným nebo dálkovým ovládáním.
- Dveřní sada může pracovat automaticky pomocí snímačů nebo manuálně prostřednictvím aktivačních jednotek. Lze ji též použít v manuálním režimu jako dveřní zavírač.

Blahopřejeme vám k nákupu nových automatických dveří!

ASSA ABLOY Entrance Systems ABvyvíjí automatické dveře již déle než 50 let. Díky špičkové technologii a pečlivě testovaným materiálům a součástem získáváte vynikající produkt.

Vaše automatické dveře vyžadují stejně jako jiné technické výrobky pravidelnou údržbu a servis. Je důležité, abyste se s automatickými dveřmi (systémem) dobře seznámili a chápali důležitost jejich údržby v souladu s příslušnými bezpečnostními normami.

Váš místní autorizovaný zástupce společnosti ASSA ABLOY Entrance Systems je obeznámen s těmito normami a stejně tak i s platnými místními zákony a doporučeními společnosti

ASSA ABLOY Entrance Systems k elektricky ovládaným dveřím pro pěší. Služby a nastavení provedené autorizovaným zástupcem společnosti ASSA ABLOY Entrance Systems zajistí bezpečný a řádný provoz automatických dveří.

Rušení příjmu elektronického zařízení

Zařízení může generovat a využívat vysokofrekvenční energii, a pokud není nainstalováno a používáno správně, může způsobit rušení příjmu rozhlasového či televizního vysílání či jiných vysokofrekvenčních systémů.

Jestliže ostatní zařízení plně nevyhovuje požadavkům odolnosti, může docházet k rušení.

Neexistují žádné záruky, že v určitých instalacích k rušení nedojde. Pokud zařízení způsobuje rušení příjmu rozhlasového či televizního vysílání, což lze ověřit vypnutím a zapnutím zařízení, doporučuje se provést některá z následujících opatření:

- Změňte polohu či orientaci přijímací antény.
- Změňte polohu přijímače vzhledem k zařízení.
- Odstraňte přijímač z dosahu zařízení.
- Zapojte přijímač do jiné elektrické zásuvky tak, aby zařízení a přijímač byly zapojeny v různých napájecích okruzích.
- Zkontrolujte, zda je připojen ochranný uzemňovací vodič (PE).

V případě nutnosti získání dalších informací se můžete obrátit na prodejce nebo zkušeného odborníka na elektronická zařízení.

Požadavky související se životním prostředím

ASSA ABLOY Entrance Systems vyrábí produkty vybavené elektronikou, jež mohou obsahovat také baterie vyrobené z materiálů nebezpečných pro životní prostředí. Před vyjmutím elektroniky a akumulátoru odpojte napájení a zajistěte, aby byly díly i obalový materiál správným způsobem a na správném místě zlikvidovány v souladu s místními předpisy.

Odpovědnost za výrobek

Podle směrnic nese vlastník či správce zařízení odpovědnost za to,

- že zařízení funguje správně, aby byla zajištěna požadovaná bezpečnost a ochrana zdraví;
- že zařízení je provozováno a pravidelně udržováno, kontrolováno a servisováno osobou, která je prokazatelně způsobilá pro práci se zařízením a zná příslušné předpisy;
- že poskytnutá „kniha servisních protokolů“ a dokumenty o „provedení testů u zákazníka a posouzení rizik“ (PRA-0007) budou trvale dostupné pro účely údržby a vedení servisních záznamů;
- že se kontrola týká i funkce nouzového otevírání (přichází-li to v úvahu);
- že zavírací síla pružiny odpovídá velikosti dveří ve schválených protipožárních dveřních systémech (v příslušných případech).

Záruka

ASSA ABLOY Entrance Systems poskytuje 12měsíční záruku na absenci závad materiálů a zpracování za podmínky správného používání a řádného provádění údržby, počínaje datem dodání. Tato záruka se vztahuje pouze na původního kupce zařízení.

ASSA ABLOY Entrance Systems poskytuje záruku na funkčnost softwaru v souladu s funkčním popisem a záznam na nepoškozená média.

Záruka společností ASSA ABLOY Entrance Systems se nevztahuje na:

- že software bude bezchybný nebo že bude pracovat bez přerušení;
- běžné opotřebení systému;
- pojistky, baterie na jedno použití a poškození skla;
- odchylky systému vzniklé instalací jinou osobou než pracovníkem společnosti ASSA ABLOY Entrance Systems
- systém, který byl upraven nebo poškozen vandalismem či nesprávným používáním;
- systém, který byl dovybaven součástmi nebo náhradními díly, jež nejsou originálními značkovými výrobky společnosti ASSA ABLOY Entrance Systems
- zbytečné návštěvy způsobené špatnou komunikací ze strany klienta (dveře po příjezdu našeho technika fungují, resetování, přerušení dodávky proudu);
- Seřízení (rychlost zavírání a otevírání, radary detekčních polí) podle požadavků zákazníka (vyjma seřízení provozu pokládaného za potenciálně nebezpečný)
- poškození vodou;
- nepříznivé klimatické podmínky;
- jakoukoli škodu způsobenou přímo či nepřímo okolnostmi mimo vliv příslušné společnosti v rámci skupiny ASSA ABLOY Entrance Systems, jako je například průmyslový spor, požár, přírodní katastrofa, válka, rozsáhlá vojenská mobilizace, povstání, zabavení, zmocnění se, embargo, omezení v dodávkách energie a závady či zpoždění v dodávkách subdodavatelů způsobené kteroukoli z uvedených okolností.

Upozornění:

- Při nedodržení doporučení výrobce pro péči a údržbu může záruka ztratit platnost.
- ASSA ABLOY Entrance Systems autorizuje prodejce k možnosti rozšíření této záruky pouze pro koncové uživatele, avšak nejsou oprávněni poskytovat rozsáhlejší či odlišné záruky jménem společnosti ASSA ABLOY Entrance Systems.
- Uzavřením servisní smlouvy se společností ASSA ABLOY Entrance Systems pomůžete zajistit plnou funkčnost systému. V případě žádosti o servisní zásah budete upřednostněni, což minimalizuje dobu, po kterou bude systém mimo provoz.

Servis

Je třeba zajistit pravidelné kontroly prováděné vyškolenými a kvalifikovanými osobami. Četnost těchto kontrol musí být v souladu s vnitrostátními předpisy (nebo s průmyslovým standardem, pokud národní předpisy neexistují). To je důležité zejména v případech, kdy se instalace týká protipožárních dveří nebo dveří s funkcí nouzového otevírání. Chcete-li životnost své investice prodloužit a zajistit bezpečný a spolehlivý provoz dveří, doporučujeme provádět minimálně 2 či více kontrol ročně – podle intenzity používání a provozních podmínek. Zvážit je třeba i aspekty prostředí.

Vstupy se podílejí na plynulosti celého vašeho podnikání, což je dobrým důvodem k udržování jejich bezproblémového provozu. Společnost ASSA ABLOY Entrance Systems vám nabízí odborné znalosti v oblasti údržby a modernizace, na něž se můžete spolehnout. Za našimi programy údržby a službami modernizace automatizovaných vstupů stojí rozsáhlé zkušenosti v oblasti všech typů průchodů pro pější provoz či průmyslových vrat a nakládacích systémů bez ohledu na konkrétní značku. K dispozici je vám tým specializovaných odborných techniků s dlouholetými zkušenostmi s údržbou, servisem a spoustou spokojených zákazníků.

Účel použití

ASSA ABLOY SW200 je automatický pohon křídlových dveří vyvinutý k zajištění pohodlí uživatelů využívajících výhody automatických dveří. ASSA ABLOY SW200 je nízkoenergetický pohon, jenž využívá stejnosměrný elektromotor a systém převodové redukce k pohonu systému ramene otevírajícího dveře. Slouží k instalaci uvnitř budov, kde se hodí prakticky ke všem typům externích i interních křídlových dveří. Tento široce využívaný pohon nachází uplatnění ve zdravotnictví, v obytné zástavbě, kancelářích i veřejných budovách.

Dveře jsou navrženy tak, aby zaručovaly nepřetržitý provoz, vysoký stupeň bezpečnosti a maximální životnost. Systém se automaticky přizpůsobuje vlivům běžných výkyvů povětrnostních podmínek k menším změnám tření způsobeným například prachem a nečistotami.

K zajištění úniku v nouzových situacích se dveřní sada otevírá manuálně.

Informace k instalaci a údržbě naleznete v instalační a servisní příručce 1009728 pro osazené provedení a příručce 1009936 stropní zapuštěné instalace.

Tyto pokyny si uschovejte pro pozdější použití.

Technické specifikace

Výrobce:	ASSA ABLOY Entrance Systems AB
Adresa:	Lodjurgatan 10, SE-261 44 Landskrona, Sweden
Typ:	ASSA ABLOY SW200
Síťové napájení:	100–240 V ss +10/–15 %, 50/60 Hz
Příkon:	Max. 300 W
Třída ochrany:	IP20
Akustický tlak:	$L_{pa} \leq 70 \text{ dB}(A)$
Schválení:	Schválení třetích stran od zavedených certifikačních organizací platná pro bezpečnost během používání naleznete v prohlášení o shodě společnosti.

Jak systém ASSA ABLOY SW200 pracuje

Pohon křídlových dveří ASSA ABLOY SW200 využívá stejnosměrný motor připojený k výstupní hřídeli kombinací kuželového soukolí a čelních ozubených kol. Systém ramene připojený k výstupní hřídeli otevírá dveře u aplikací montovaných na stěnu.





Existuje také nastavitelný pružinový mechanismus připojený k výstupní hřídeli. Během otevírání dveří se zkrutná pružina napíná otáčením výstupního hřídele. V průběhu zavíracího cyklu působí síla pružiny ve směru zavírání. Sílu pružiny lze nastavit, aby se dosáhlo přiměřené síly k zavření dveří při manuálním ovládní nebo v případě výpadku napájení.

K aktivaci pohonu můžete použít ruční aktivační jednotku (loketní spínač) nebo automatickou aktivační jednotku (radarové zařízení). Pohon lze také aktivovat (pokud to dovolují místní zásady) pohybem zatlačením na dveře, pokud je aktivní funkce Push & Go.

Po aktivaci se dveře otevřou a zůstanou otevřeny po stanovenou dobu přidržení otevření (HOT). Po uplynutí doby HOT se dveře zavřou.

V závislosti na typu volitelného voliče programu může pohon ASSA ABLOY SW200 pracovat ve třech nebo čtyřech různých režimech (viz tabulka níže).

Při plně manuálním použití (nebo v případě výpadku napájení) pracuje systém ASSA ABLOY SW200 jako běžný dveřní zavírač.

Pozice	Funkce
 Vypnuto	Dveře jsou zavřené. Dveře nelze otevřít ani vnitřní ani vnější aktivační jednotkou. Pokud jsou dveře vybaveny elektromechanickým zámekem, jsou zamčené. Dveře lze otevřít klíčovým spínačem (je-li osazen).
 Východ	Lze projít pouze ven. Pokud jsou dveře vybaveny elektromechanickým zámekem, jsou normálně zamčené. Dveře lze otevřít pouze vnitřní aktivační jednotkou nebo klíčovým spínačem (je-li osazen).
 Automaticky Normální poloha	Dveře lze otevřít vnitřní i vnější ruční aktivační jednotkou nebo automatickými aktivačními jednotkami. Elektricky ovládaná západka, je-li osazena, je otevřena.
 Otevřeno	Motor udržuje dveře v trvale otevřené poloze.

ASSA ABLOY SW200 Varianty

ASSA ABLOY SW200 -SA-152X152:	Osazené provedení na příčnicku 152 mm širokém × 152 mm vysokém.
ASSA ABLOY SW200 -OHC:	Provedení OHC na příčnicku 152 mm širokém × 152 mm vysokém

Pravidelné bezpečnostní kontroly

Abychom vám pomohli splnit požadavky místních i mezinárodních směrnic a předejít poruchám a riziku zranění, připravili jsme následující kontrolní seznam.



Pohon nepoužívejte, pokud je nutné provést opravu či seřízení.

Při čištění nebo provádění jiných úkonů údržby odpojte napájení ⁽¹⁴⁾.

Každodenní provoz		Pokud se vyskytne problém	
<p>Aktivujte pohon, vizuálně zkontrolujte upevnění a zda nedošlo k poškození</p> <ul style="list-style-type: none"> • pohonu ⁽¹⁾ • systému ramene ⁽²⁾ • kabelů ⁽³⁾, • Řídicí spínač ⁽⁴⁾ • závěsů ⁽⁵⁾ • dveří a skel ⁽⁶⁾ 			
<p>Také prověřte pohon a vizuálně zkontrolujte:</p> <ul style="list-style-type: none"> • ostré hrany na dveřních křídlech nebo dveřním rámu (pokud existuje) ⁽⁷⁾ • stav dveřních těsnění ⁽⁸⁾ • ochranu před přiskřípnutím prstů ⁽⁹⁾, • a nakonec se ujistěte, zda celé dveře řádně fungují a zavírají se pomalu a hladce 		 	
<p>Volič režimů nastavte do polohy Vypnuto a zkontrolujte, zda pohon spolupracuje s elektromechanickým zámekem (pokud je osazen). Zkontrolujte také, zda zámek ⁽¹⁰⁾ dveře skutečně zajistí.</p>			
<p>Aktivujte ruční aktivační jednotky ⁽¹¹⁾, pokud jsou osazené, a jděte směrem ke dveřím. Při průchodu vchodem či východem zkontrolujte, zda se dveře otevírají dostatečně.</p> <p>Stejným způsobem pak postupujte s automatickými aktivačními jednotkami ⁽¹²⁾.</p>			
<p>Zkontrolujte bezpečnostní snímače ⁽¹³⁾ (pokud existují) tak, že se postavíte do cesty výkvy dveří a aktivujete pohon. Při otevírání či zavírání vás dveře nesmí udeřit.</p> <p>Jestliže si nejste jisti, o jaký typ snímače se jedná, obraťte se na zástupce společnosti ASSA ABLOY Entrance Systems.</p>			
Únikové dveře	<p>Zákon vyžaduje, aby školený personál pravidelně prováděl tyto testy.</p>	<p>Programový volič nastavte na režim AUTO. Zatlačte na dveře ručně ve směru úniku a ujistěte se, zda žádný předmět ani funkce nebrání otevření dveří. Ujistěte se také, zda lze volně používat únikový východ.</p>	
Požární dveře		<p>Nechte dveře zavřít po vyslání impulsu, že nic nebrání zavření a uzamčení dveří (pokud to směrnice vyžadují).</p>	

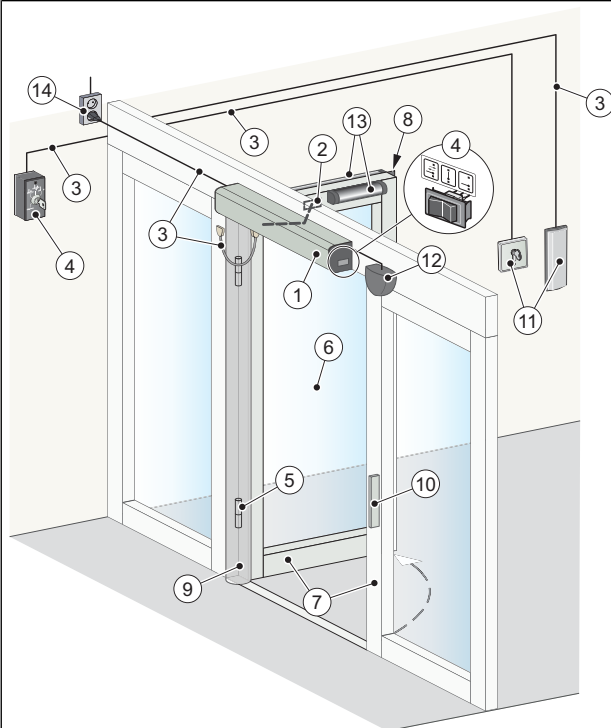


= Podnikněte příslušná opatření.



= Kontaktuje místního zástupce společnosti ASSA ABLOY Entrance Systems. Kontaktní informace naleznete na poslední stránce.

FUNKCE A VIZUÁLNÍ KONTROLA



Zobrazeno je osazené provedení

ČIŠTĚNÍ

Nejlépeším způsobem odstranění prachu a nečistot z jednotky ASSA ABLOY SW200 je otření jí houbou či měkkou tkaninou navlhčenou ve vodě.

Lze použít jemný čisticí prostředek. K zachování kvality povrchové úpravy je vhodné plochy jedenkrát za čtyři měsíce očistit. Každé čištění je vhodné zaznamenat. K zamezení poškození profilů je nutné jednou týdně

- Nevystavujte dveře, okna a profily vlivu žíravých chemikálií. Hliník i sklo jsou na alkalické žíraviny citlivé.
- Nečistěte zařízení tlakovou vodou. Pohon, volič režimu a snímač mohou být tlakovou vodou poškozeny a voda může proniknout do profilů.
- Nepoužívejte leštidla.
- Nepoužívejte k čištění zařízení drátěnky apod., způsobili byste tím mechanické poškození.

ŠTÍTKY



Zobrazeno je osazené provedení

Činnost		Pokud se vy- skytne pro- blém
Zkontrolujte, zda jsou upevněny a nepoškozeny všechny požadované štítky. Klasifikace „povinné“ znamená, že štítky vyžadují evropské směrnice a odpovídající národní normy mimo Evropskou unii.		
(A)	Výrobní štítek: povinný	
(B)	Nouzové otevření: Povinné při schválení únikové cesty.	
(C)	ASSA ABLOY Entrance Systems – samolepka na dveře: povinná, pokud je relevantní; upozorňuje na přítomnost skla (aplikuje se na všechny pohyblivé skleněné výplně).	
(D)	Zajištění proti zásahu dětí: (aplikováno na obě strany dveří): Povinné podle národních předpisů. Doporučeno, pokud analýza rizik naznačit používání dětmi.	
(E)	Pohon určený pro tělesně postižené: doporučen podle potřeby (aplikuje se z obou stran dveří).	
(F)	Aktivace tělesně postiženými: doporučeno v případě potřeby.	
(G)	Nevstupovat, označení jednosměrného provozu: Povinné ve Spojeném království a v USA (pokud je třeba), není součástí výrobku.	
(H)	Automatic door	
(J)	Nepřibližujte se	
(K)	Štítek SITAC: Povinný ve Švédsku	



= Kontaktujte servisního zástupce společnosti ASSA ABLOY Entrance Systems. Kontaktní informace naleznete na poslední stránce.

Univerzální příslušenství

- Řídicí spínač ④, [viz strana 25](#)
- Elektrický zámek ⑩, [viz strana 25](#)
- Klíčový spínač ⑪, [viz strana 25](#)
- Loketní spínač ⑪, [viz strana 25](#)
- Radar ⑫, [viz strana 25](#)
- Bezdrátové vysílače (nejsou na obrázku)
- Zařízení pro kontrolu vstupu (není na obrázku)
- Zarážka dveří (není na obrázku)

Bezpečnostní příslušenství

- Bezpečnostní snímače ⑬, [viz strana 25](#).
- Ochrana před přiskřípnutím prstů ⑨, [viz strana 25](#).

Řešení potíží

Problém	Náprava
Dveře se neotvírají.	
Motor se nespouští.	Změňte nastavení voliče režimu. (Viz strana 23). Pokud je osazen snímač, zkontrolujte, zda se v detekční zóně nenacházejí žádné předměty. Zkontrolujte síťové napájení a jistič v budově.
Motor se spustí, avšak dveře se neotevřou.	Odemkněte mechanické zámky. Zkontrolujte, zda není pode dveřmi vzpříčený nějaký předmět.
Dveře se nezavírají.	Změňte nastavení voliče režimu. (Viz strana 23). Pokud je osazen snímač, zkontrolujte, zda se v detekční zóně nenacházejí žádné předměty. Zkontrolujte, zda není pode dveřmi vzpříčený nějaký předmět.
Dveře se neustále otevírají a zavírají.	Pokud je osazena automatická aktivační jednotka, zkontrolujte, zda ve vzdálenosti 1–1,5 m ode dveří nejsou pohybuující se předměty.
Pokud problém přetrvává, obraťte se na zástupce společnosti ASSA ABLOY Entrance Systems.	

Servis/údržba

Služba a nastavení provedené autorizovaným zástupcem společnosti ASSA ABLOY Entrance Systems zajistí bezpečný a řádný provoz vašich automatických dveří.

Pamatujte na zajištění dostupnosti „knihy servisních protokolů“ a dokumentů o „provedení testů u zákazníka a posouzení rizik“ (PRA-0007). Používají se společně.

V níže uvedené tabulce jsou uvedeny doporučené intervaly v měsících pro výměnu dílů v rámci preventivní údržby. Jestliže se chcete dozvědět více informací o našich servisních nabídkách, obraťte se na zástupce společnosti ASSA ABLOY Entrance Systems.

Součást	Číslo dílu	Cykly/hodiny provozu			V náročném prostředí
		<10	<100	>100	
		Slabý provoz	Střední provoz	Silný provoz	
Servisní sada ramene PUSH	330000271 SI/BK	24	12	6	6
Servisní sada pro rameno PULL	330000272 SI/BK	24	12	6	6
Sada dorazového ramínka	330000276	24	12	6	6
Sada mikrospínačů	330000275	24	12	6	6
Adaptérová sada	330000270 SI/BK	24	12	6	6
Jednotka převodovky	331007291	60	60	60	60
Řídící jednotka CU-200 s deskami EXU	331008346	60	60	60	60
Baterie	33738753	24	24	24	24

Ostatní produkty společnosti ASSA ABLOY Entrance Systems

- Dveřní systémy
- Balanční dveře
- Vzduchové clony
- Otáčivé dveře
- Posuvné dveře
- Automatické a ruční aktivační jednotky
- Stropní sekční vrata
- Služby jako preventivní údržba a programy vylepšování, nouzové opravy, servisní konzultace a správa dveří
- Vertikální výsuvná textilní vrata
- Vyrovnávací můstky
- Těsnící límce
- Skládaná vrata
- Rychloběžná vrata
- Nakládací komory

My **ASSA ABLOY Entrance Systems AB**
Lodjursgatan 10
SE-261 44 Landskrona
Sweden

prohlašujeme na svou výlučnou odpovědnost, že typ zařízení:
SW200

odpovídá následujícím směrnícím:

směrnice o elektromagnetické kompatibilitě 2014/30/EU (EMCD)

směrnice o strojních zařízeních 2006/42/ES (MD)

2011/65/EU o omezení používání některých nebezpečných látek v elektrických a elektronických zařízeních včetně příslušných změn (RoHS)

Použité harmonizované evropské normy:

EN ISO 13849-1:2015

EN 60335-1:2012+A11:2014

EN 60335-2-103:2015

EN 61000-6-2:2005

EN 61000-6-3:2007+A1:2011

EN 16005:2012/AC:2015

Další použité normy a technické specifikace:

FCC 47 CFR Part 15 B

UL 325

IEC 60335-1 ed 5:2010

IEC 60335-2-103: ed. 2.1:2011

EN 1634-1:2008

Certifikát vydaný oznámeným nebo oprávněným orgánem (kompletní adresu vám na požádání sdělí společnost ASSA ABLOY Entrance Systems AB) k zařízení:

SC0072-14

UL File E47833

UL File R9469

Výrobní postup zaručuje, že je zařízení v souladu s technickou dokumentací. Výrobní proces je pravidelně posuzován třetí stranou.

Značka CE byla poprvé použita 2013-11-04.

Soubor technické dokumentace:

Anders Forslind

ASSA ABLOY Entrance Systems AB

Lodjursgatan 10

SE-261 44 Landskrona

Sweden

Místo
Landskrona

Datum
2021-04-16

Podpis
Klas Hagelin

Podpisek
Global Quality Manager



Společnost ASSA ABLOY Entrance Systems je čelním dodavatelem automatizovaných vstupních řešení pro efektivní pohyb materiálu a osob. V návaznosti na dlouhodobý úspěch značek Besam, Crawford, Albany a Megadoor nabízíme svá řešení pod značkou ASSA ABLOY. Naše výrobky a služby jsou určeny k uspokojení potřeb koncových uživatelů v aspektech bezpečnosti, zabezpečení, pohodlí a udržitelného provozu. ASSA ABLOY Entrance Systems je divizí a společností ASSA ABLOY.

assaabloyentrance.com



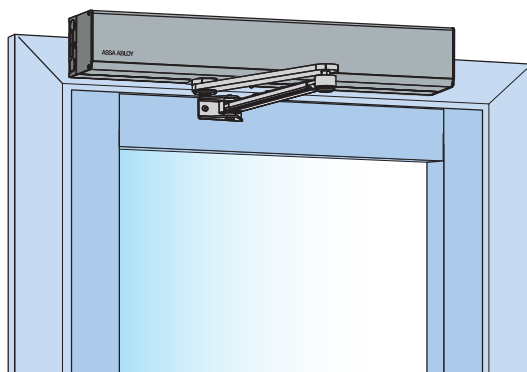
ASSA ABLOY Entrance Systems

Tel.: +46 10 47 47 000
info.aaes@assaabloy.com
assaabloyentrance.com

Drehtürantrieb ASSA ABLOY SW200

Bedienungsanleitung

Originalanweisungen



INHALT

Anweisungen für sicheren Betrieb	35
Herzlichen Glückwunsch zu Ihrer neuen Automatiktür!	37
Störung des Empfangs elektronischer Geräte	37
Umweltschutzanforderungen	37
Produkthaftung	37
Garantie	38
Wartung	39
Vorgesehene Verwendung	39
Technische Daten	39
So funktioniert der ASSA ABLOY SW200	40
ASSA ABLOY SW200 Varianten	40
Regelmäßige Sicherheitskontrollen	41
Allgemeines Zubehör	45
Sicherheitszubehör	45
Fehlersuche	45
Service/Wartung	46
Weitere Produkte von ASSA ABLOY Entrance Systems	46
Konformitätserklärung	47

ASSA ABLOY als Wort und Logo ist Markenzeichen der ASSA ABLOY Group

© ASSA ABLOY Entrance Systems,2021

Änderungen an technischen Daten ohne vorherige Benachrichtigung vorbehalten.

Anweisungen für sicheren Betrieb



- Ein Nichtbeachten der in diesem Handbuch zur Verfügung gestellten Informationen kann zu Verletzungen oder einer Beschädigung der Ausrüstung führen.
- Um das Verletzungsrisiko für Personen zu vermindern, verwenden Sie diesen Antrieb bitte ausschließlich für Drehflügel- oder Falttüren.
- Die Vorrichtung nicht verwenden, wenn eine Reparatur oder Einstellung nötig ist.
- Bei Reinigungs- oder Wartungsarbeiten vom Netzanschluss trennen.
- Der Türantrieb kann von Kindern ab 8 Jahren bedient werden, sofern diese von der für ihre Sicherheit zuständigen Person angeleitet werden.
- Der Türantrieb kann von 8 Jahre alten und jüngeren Kindern bedient werden, sofern diese von der für ihre Sicherheit zuständigen Person unterrichtet worden sind.
- Der Türantrieb kann von Personen mit beeinträchtigten körperlichen, sensorischen oder mentalen Fähigkeiten genutzt werden, sofern diese von der für ihre Sicherheit zuständigen Person geschult worden sind.
- Reinigung und benutzerseitige Wartung dürfen nicht von Kindern durchgeführt werden.

- Lassen Sie niemanden an der Tür emporklettern oder mit der Tür bzw. den zugehörigen Impulsgebern spielen.
- Die Türanlage kann automatisch durch Sensoren oder manuell durch Impulsgeber betätigt werden. Er kann auch als manueller Türschließer genutzt werden.

Herzlichen Glückwunsch zu Ihrer neuen Automatiktür!

ASSA ABLOY Entrance Systems AB entwickelt seit mehr als 50 Jahren Automatiktüren. Sie haben ein erstklassiges Produkt erworben, das auf modernster Technologie basiert und aus sorgfältig geprüften Materialien und Bauteilen hergestellt wurde.

Wie jedes technische Produkt benötigen auch automatische Türen regelmäßige Wartung und Pflege. Für eine problemlose Verwendung des Produkts ist es unabdingbar, sich mit der Funktionsweise der automatischen Tür bzw. des automatischen Türsystems vertraut zu machen und für eine regelmäßige Wartung gemäß den gültigen Sicherheitsnormen zu sorgen.

Ihr autorisierter ASSA ABLOY Entrance Systems-Verkaufsberater vor Ort ist mit diesen Normen sowie mit allen gültigen örtlichen Codes und ASSA ABLOY Entrance Systems-Empfehlungen für Personentüren mit motorischen Antrieben vertraut. Die Durchführung von Service- und Einstellarbeiten durch die autorisierte ASSA ABLOY Entrance Systems-Vertretung stellt einen sicheren und ordnungsgemäßen Betrieb der Automatiktür sicher.

Störung des Empfangs elektronischer Geräte

Diese Ausstattung erzeugt und verwendet möglicherweise hochfrequente Energie (im Radiofrequenzband) und kann bei unkorrekter Montage oder Verwendung eine Störung des Rundfunk- und Fernsehempfangs oder anderer Hochfrequenzanlagen verursachen.

Wenn andere Geräte nicht in vollem Umfang die Richtlinien für Störfestigkeit erfüllen, können Störungen auftreten.

Es kann nicht garantiert werden, dass bei einzelnen Montagen keine Störungen auftreten. Sollte das System eine Störung des Radio- und Fernsehempfangs verursachen, was durch Aus- und Einschalten des Antriebes festgestellt werden kann, wird der Benutzer aufgefordert zu versuchen, die Störung durch eine oder mehrere der folgenden Maßnahmen zu beheben:

- Die Empfangsantenne neu ausrichten.
- Die Position des Empfangsgeräts zum Antrieb ändern.
- Das Empfangsgerät weiter vom Antrieb weg positionieren.
- Den Empfänger auf einen anderen Stromkreis legen, so dass der Antrieb und das Empfangsgerät an unterschiedliche Stromkreise angeschlossen sind.
- Überprüfen, ob die Erdungsleitung (PE) angeschlossen ist.

Falls erforderlich, sollte sich der Benutzer für weitere Vorschläge an den Händler oder einen erfahrenen Elektrotechniker wenden.

Umweltschutzanforderungen

ASSA ABLOY Entrance Systems Produkte sind mit Elektronik ausgestattet und möglicherweise auch mit Batterien versehen, die umweltschädliche Materialien enthalten können. Trennen Sie die Stromversorgung, bevor Sie Elektronik und Batterien entfernen, und sorgen Sie wie beim Verpackungsmaterial für eine ordnungsgemäße Entsorgung gemäß den örtlichen Bestimmungen (Entsorgungsart und -ort).

Produkthaftung

Gemäß Richtlinien ist der Eigentümer bzw. Betreiber der Ausrüstung für folgende Punkte verantwortlich:

- Er hat dafür Sorge zu tragen, dass die Ausrüstung ordnungsgemäß funktioniert, damit ein sicherer Betrieb gewährleistet ist und kein Risiko für Personen besteht.
- Er hat dafür Sorge zu tragen, dass die Ausrüstung von einer Person betrieben, gewartet und regelmäßig kontrolliert wird, die nachweislich dazu befähigt ist und mit den gültigen Bestimmungen vertraut ist.

- dass die mitgelieferten Dokumente „Service Log Book“ (Serviceprotokollheft) und „Abnahmetest am Montageort und Risikobewertung“ (PRA-0007) für die Wartungs- und Servicedokumentation verfügbar gehalten werden
- Er hat dafür Sorge zu tragen, dass bei der Kontrolle die Notöffnungsfunktion (falls vorhanden) überprüft wird.
- dass bei Bandschutzschiebetüren (falls zutreffend) die Schließkraft für die Türgröße geeignet ist.

Garantie

ASSA ABLOY Entrance Systems gewährt bei einem ordnungsgemäßen Betrieb und Service seiner Produkte für einen Zeitraum von 12 Monaten ab dem Lieferdatum eine Garantie auf Material- und Herstellungsfehler. Dieser Garantieanspruch ist nur für den ursprünglichen Käufer der Ausrüstung gültig.

ASSA ABLOY Entrance Systems gewährt eine Garantie auf den grundlegenden Betrieb der Software gemäß der Funktionsbeschreibung sowie dafür, dass diese auf unbeschädigten Medien aufgenommen wurde.

Die von ASSA ABLOY Entrance Systems gewährte Garantie erstreckt sich nicht auf folgende Sachverhalte:

- Fehlerfreiheit und unterbrechungslose Verwendung der Software
- natürliche Abnutzung bzw. Verschleißerscheinungen am System
- Sicherung, Batterien und Glasschäden
- Systemabweichungen, die auf eine regelwidrige Montage zurückzuführen sind, die nicht durch autorisierte Monteure erfolgt ist ASSA ABLOY Entrance Systems
- Systeme, die geändert oder durch Vandalismus oder falsche Verwendung beschädigt wurden
- Systeme, die zusätzlich mit Teilen bzw. Ersatzteilen ausgestattet wurden, die nicht als Originalteile von ASSA ABLOY Entrance Systems gekennzeichnet sind
- nicht erforderliche Kontrollbesuche, die auf mangelhafte Kommunikation seitens des Kunden zurückzuführen sind (Tür funktioniert bei Ankunft des Besam-Technikers, Zurückstellung, unterbrochene Stromversorgung)
- Einstellungen (Schließ- und Öffnungsgeschwindigkeit sowie Erkennungsfeldradar) auf Kundenwunsch (außer Betriebseinstellungen, die zu Gefahrensituationen führen könnten).
- Wasserschäden
- ungünstige Witterungsverhältnisse
- Schäden, die direkt oder indirekt auf Umstände zurückzuführen sind, die nicht im Einflussbereich des jeweiligen Unternehmens innerhalb von ASSA ABLOY Entrance Systems liegen, wie Arbeitskonflikte, Brand, Naturkatastrophen, umfassende Mobilisierung der Streitkräfte, Aufstände, Requirierung, Beschlagnahme, Embargo, eingeschränkte Stromversorgung und mangelhafte oder verspätete Lieferung seitens eines Zulieferers aufgrund eines oben genannten Punktes

Hinweis:

- Die Nichteinhaltung der Pflege- und Wartungsempfehlungen des Herstellers führt zum Erlöschen des Garantieanspruchs.
- ASSA ABLOY Entrance Systems autorisierte Händler dürfen diese Garantie nur Endbenutzern gewähren und sind nicht berechtigt, im Namen von ASSA ABLOY Entrance Systems eine umfassendere oder andersartige Garantie zu gewähren.
- Durch eine Servicevereinbarung mit ASSA ABLOY Entrance Systems wird die Verfügbarkeit eines voll funktionsfähigen Türsystems sowie eine vorrangige Behandlung bei Serviceanfragen garantiert, wodurch Stillstandszeiten des Systems minimiert werden können.

Wartung

Inspektionen sollten regelmäßig durch geschultes und qualifiziertes Personal erfolgen. Die Häufigkeit dieser Inspektionen richtet sich nach den nationalen Bestimmungen (oder nach dem Industriestandard, wenn es keine nationalen Bestimmungen gibt). Dies gilt besonders für Installationen in Verbindung mit Brandschutztüren oder Türen mit einer Notöffnungsfunktion. Um die Lebensdauer Ihrer Investition zu verlängern und einen sicheren und zuverlässigen Betrieb der Tür sicherzustellen, empfehlen wir abhängig von der Nutzungsintensität und den Betriebsbedingungen mindestens 2 Inspektionen pro Jahr. Umweltaspekte müssen ebenfalls berücksichtigt werden.

Da Ihre Eingänge Teil Ihres Geschäfts sind, haben Sie allen Grund, die Funktion sicherzustellen. ASSA ABLOY Entrance Systems bietet Ihnen Erfahrung in Wartung und Modernisierung, auf die Sie sich verlassen können. Unsere Wartungsprogramme und Modernisierungsleistungen für automatisierte Zugangssysteme basieren auf umfangreichem, markenunabhängigem Fachwissen über alle Typen von Personentüren sowie Industrietore und Verladensysteme. Uns steht ein Team technisch versierter Experten zur Verfügung, das sich in Jahrzehnten bei Wartung und Service bewährt hat, wie unsere zufriedenen Kunden gerne bestätigen.

Vorgesehene Verwendung

Der ASSA ABLOY SW200 ist ein automatischer Drehflügelantrieb, der dazu entwickelt wurde, das Leben von Menschen zu vereinfachen und die Vorteile einer automatischen Tür zu nutzen. Der ASSA ABLOY SW200 ist ein Niedrigenergieantrieb. Er treibt mittels Gleichstrommotor und Untersetzungsgetriebe ein Armsystem an, welches die Tür öffnet. Er darf nur in Innenräumen montiert werden und eignet sich für nahezu alle Arten von Außen- und Innentüren mit Drehflügel. Dieser weit verbreitete Antrieb findet sich in Anwendungen im Gesundheitswesen, in Wohn- und Bürogebäuden sowie in öffentlichen Gebäuden.

Die Tür wurde für eine ununterbrochene Verwendung, einen hohen Sicherheitsgrad und eine maximale Lebensdauer konstruiert. Das System gleicht die Einflüsse durch normale Wetterschwankungen und kleinere Reibungsveränderungen, z. B. durch Staub und Schmutz, selbst aus.

Als Fluchtweg in Notsituationen kann die Türanlage manuell geöffnet werden.

Installation und Wartung siehe Montage- und Servicehandbuch 1009728 für Sturzmontage und 1009936 für verdeckte Überkopfinstallation.

Bewahren Sie diese Anleitung auf, um später wieder darin nachschlagen zu können.

Technische Daten

Hersteller:	ASSA ABLOY Entrance SystemsAB
Adresse:	Lodjursgatan 10, SE-261 44 Landskrona, Sweden
Typ:	ASSA ABLOY SW200
Netzanschluss:	100 - 240 V AC +10/-15 %, 50/60 Hz
Stromverbrauch:	Max. 300 W
Schutzart:	IP20
Geräuschentwicklung:	$L_{pa} \leq 70 \text{ dB}(A)$
Freigaben:	Freigabe durch anerkannte Zertifizierungsstelle, gültig für die Sicherheit in der Verwendung und die Fluchtwegsicherheit, siehe Konformitätserklärung.

So funktioniert der ASSA ABLOY SW200

Der Drehflügel Türantrieb ASSA ABLOY SW200 verfügt über einen Gleichstrommotor, der über ein Kegelrad- und Stirnradgetriebe auf die Antriebswelle einwirkt. Bei der Sturzmontage öffnet das mit der Antriebswelle verbundene Armsystem die Tür.





Es gibt außerdem einen einstellbaren Federmechanismus, der mit der Antriebswelle verbunden ist. Beim Öffnen der Tür wird die Spiralfeder durch die Drehung der Antriebswelle gespannt. Im Schließzyklus wirkt die gespeicherte Federkraft in Schließrichtung. Die Federkraft kann so justiert werden, dass die Kraft beim manuellen Betätigen oder bei einem Stromausfall zum Schließen der Tür ausreicht.

Die Aktivierung des Antriebs erfolgt entweder über einen manuellen Impulsgeber (Ellbogentaster) oder einen automatischen Impulsgeber (Radarvorrichtung). Außerdem ist – sofern örtliche Normen dies zulassen – auch ein Aktivieren des Antriebs durch Druck auf die Tür möglich. In diesem Fall muss eine Push-and-Go-Vorrichtung installiert sein.

Durch das Aktivieren der Tür wird diese geöffnet und bleibt für eine festgelegte Offenhaltezeit (HOT) offen. Nach Ablauf der Offenhaltezeit schließt sich die Tür.

Der ASSA ABLOY SW200 kann je nach Art des optionalen Programmschalters auf drei oder vier verschiedene Modi eingestellt werden, siehe Tabelle unten.

Bei vollständig manueller Verwendung (oder bei einem Stromausfall) übernimmt der ASSA ABLOY SW200 die Funktion eines normalen Türschließers.

Position	Funktion
 AUS	Die Tür ist geschlossen. Die Tür kann nicht mit dem inneren und äußeren Impulsgeber geöffnet werden. Die Tür ist verriegelt, wenn eine elektromechanische Verriegelung angebracht wurde. Die Tür kann mit einem Schlüsseltaster geöffnet werden (wenn angebracht).
 AUSGANG	Durchgang nur von innen. Die Tür ist normalerweise verriegelt, wenn eine elektromechanische Verriegelung angebracht wurde. Die Tür kann nur mit dem inneren Impulsgeber und mit einem Schlüsseltaster geöffnet werden (wenn angebracht).
 AUTO Normale Position	Die Tür kann über die inneren und äußeren manuellen bzw. automatischen Impulsgeber geöffnet werden. Der Elektrotüröffner ist, falls vorhanden, geöffnet.
 OFFEN	Die Tür wird vom Motor permanent offen gehalten.

ASSA ABLOY SW200 Varianten

ASSA ABLOY SW200 -SA-152X152:	Sturz-Anwendung in 152 mm breitem x 152 mm hohem Aufsatz
ASSA ABLOY SW200 -OHC:	OHC Anwendung in 152 mm breitem x 152 mm hohem Aufsatz

Regelmäßige Sicherheitskontrollen

Damit die Anforderungen der nationalen/internationalen Richtlinien eingehalten werden können und um eine Fehlfunktion sowie ein Verletzungsrisiko auszuschließen, haben wir die folgende Checkliste erstellt.



Den Türantrieb nicht verwenden, wenn eine Reparatur oder Einstellung nötig ist.

Bei Reinigungs- oder Wartungsarbeiten vom Netzanschluss trennen ⁽¹⁴⁾.

Tägliche Nutzung		Bei Problemen	
Aktivieren Sie den Antrieb und überprüfen Sie mittels <i>Sichtkontrolle</i> die Befestigung und den einwandfreien Zustand von: <ul style="list-style-type: none"> • Antrieb ⁽¹⁾ • Armsystem ⁽²⁾ • Kabel ⁽³⁾ • Steuerschalter ⁽⁴⁾ • Scharniere ⁽⁵⁾ • Tür und Glas ⁽⁶⁾ 			
Kontrollieren Sie außerdem den Antrieb und führen Sie eine <i>Sichtkontrolle</i> auf folgende Punkte durch: <ul style="list-style-type: none"> • scharfe Kanten am Türblatt oder am Türrahmen (falls vorhanden) ⁽⁷⁾ • Zustand der Türdichtungen ⁽⁸⁾ • Fingerschutz ⁽⁹⁾ • und schließlich auf einen ordnungsgemäßen Lauf der gesamten Tür und ein langsames und sanftes Schließen 		 	
Stellen Sie den Programmwahlschalter auf AUS und überprüfen Sie, ob der Antrieb und die elektromechanische Verriegelung (falls vorhanden) gemeinsam arbeiten. Überprüfen Sie auch, ob die Verriegelung ⁽¹⁰⁾ die Tür wirklich fest verriegelt.			
Aktivieren Sie die manuellen Impulsgeber ⁽¹¹⁾ , falls vorhanden, und gehen Sie auf die Tür zu. Überprüfen Sie, während Sie durch den Eingang bzw. Ausgang gehen, ob die Tür weit genug geöffnet wurde. Führen Sie den Test dann auch bei den automatischen Impulsgebern ⁽¹²⁾ in gleicher Weise durch.			
Überprüfen Sie die Sicherheitssensoren ⁽¹³⁾ , falls vorhanden, indem Sie sich in den Drehflügelweg stellen und den Antrieb aktivieren. Die Tür darf Sie weder beim Öffnen noch beim Schließen berühren. Wenn Sie nicht sicher sind, welche Art von Sensor installiert ist, wenden Sie sich an Ihre ASSA ABLOY Entrance Systems-Vertretung.			
Notausgangstüren	Die Durchführung dieser Tests in regelmäßigen Abständen und durch geschultes Personal ist gesetzlich vorgeschrieben.	Stellen Sie den Programmschalter in den Modus AUTO. Drücken Sie die Tür manuell in die Fluchtrichtung auf, und achten Sie darauf, dass keine Gegenstände und keine Funktion die Tür am Öffnen hindern. Stellen Sie außerdem sicher, dass der Fluchweg frei begehbar ist.	
Brand-schutz-türen		Lassen Sie die Tür sich nach einem Impuls schließen und achten Sie darauf, dass nichts die Tür am Schließen und Verriegeln (falls von den Vorschriften gefordert) hindert.	

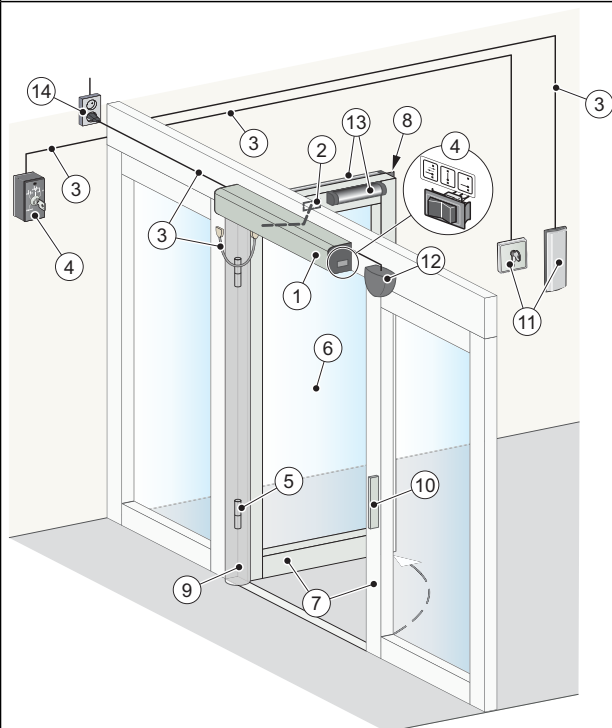


= Treffen Sie entsprechende Maßnahmen.



= Wenden Sie sich an Ihre ASSA ABLOY Entrance Systems-Vertretung. Die Kontaktdaten finden Sie auf der letzten Seite.

FUNKTIONS- UND SICHTKONTROLLE



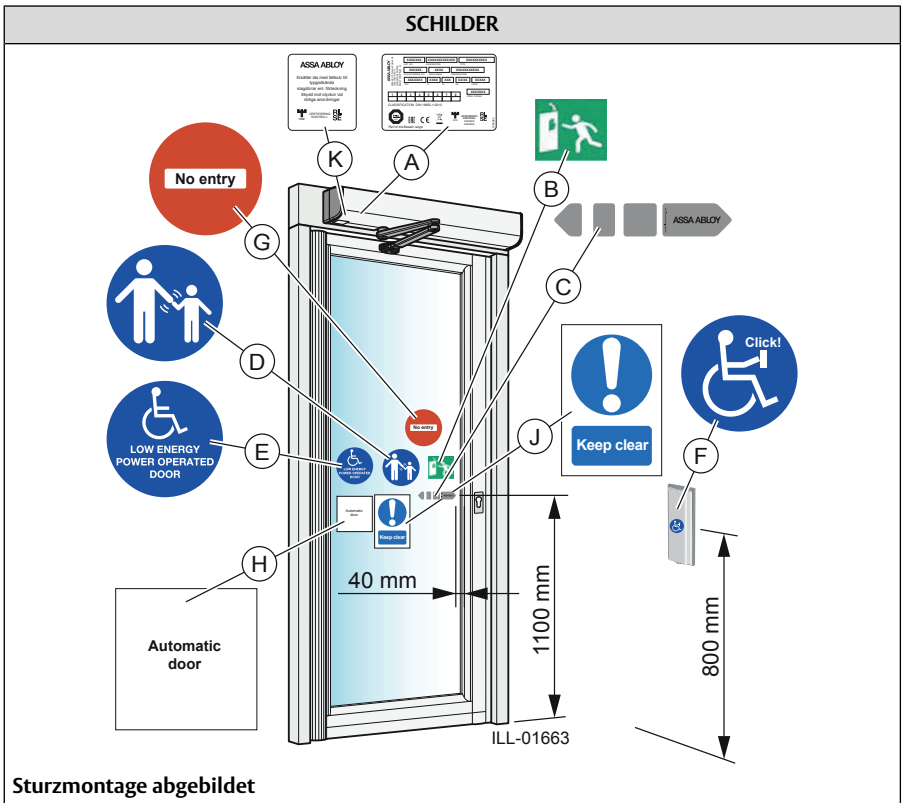
Sturzmontage abgebildet

REINIGUNG

Staub und Schmutz am besten mit Wasser und einem weichen Tuch oder Schwamm von der ASSA ABLOY SW200 entfernen.

Es kann ein mildes Reinigungsmittel verwendet werden. Um die Qualität der behandelten Oberflächen zu erhalten, müssen die Oberflächen mindestens alle vier Monate gereinigt werden. Die Reinigungsvorgänge sollten protokolliert werden. Um Schäden an den Profilen zu vermeiden, müssen die Bürsten und alle Abdichtmaterialien wöchentlich mit einem Staubsauger gereinigt werden.

- Setzen Sie Fenster, Türen oder Profile keinen alkalischen Substanzen aus. Sowohl Glas als auch Aluminium sind empfindlich gegen alkalische Substanzen.
- Nicht mit Hochdruck-Wasserstrahl reinigen. Antrieb, Programmschalter und Sensor können beschädigt werden und Wasser könnte in die Profile eindringen.
- Keine Politur verwenden.
- Bürsten Sie nicht mit Materialien wie Topfreiniger-Schwämmen, weil dies zu mechanischen Schäden führt.



Aktion		Bei Problemen
Überprüfen Sie, ob alle nötigen Schilder angebracht und intakt sind. Der Vermerk "Obligatorisch" weist darauf hin, dass das Schild laut europäischen Richtlinien und gleichwertigen nationalen Gesetzen außerhalb der Europäischen Union vorgeschrieben ist.		
(A)	Produktetikett: Obligatorisch	
(B)	Panikbeschlagsystem: Verbindlich bei Zulassung für Fluchtwege.	
(C)	ASSA ABLOY Entrance Systems Türaufkleber: Obligatorisch, falls zutreffend, um das Glas kenntlich zu machen (an allen beweglichen Glasscheiben anzubringen).	
(D)	Kinder beaufsichtigen (an beiden Seiten der Tür anbringen): Gemäß nationaler Vorschriften Pflicht. Empfohlen, wenn die Risikoanalyse auf Benutzung durch Kinder hindeutet.	
(E)	Für Menschen mit Körperbehinderung entwerfener Türantrieb: Empfohlen, falls zutreffend (Anbringung an beiden Seiten der Tür).	
(F)	Aktivierung durch Menschen mit Körperbehinderung: Empfohlen, wenn zutreffend.	
(G)	Kein Eingang, zur Kennzeichnung von Verkehr in eine Richtung: In GB und US gegebenenfalls Pflicht, nicht im Lieferumfang enthalten.	
(H)	Automatic door	
(J)	Frei halten	
(K)	SITAC-Etikett: In SE Pflicht	



= Wenden Sie sich an Ihre ASSA ABLOY Entrance Systems-Vertretung. Die Kontaktdaten finden Sie auf der letzten Seite.

Allgemeines Zubehör

- Steuerschalter ④, [siehe Seite 42](#)
- Elektrische Verriegelung ⑩, [siehe Seite 42](#)
- Schlüsselschalter ⑪, [siehe Seite 42](#)
- Ellbogentaster ⑪, [siehe Seite 42](#)
- Radar ⑫, [siehe Seite 42](#)
- Kabellose Sender (nicht abgebildet)
- Zugangskontrolle (nicht abgebildet)
- Türanschlag (nicht abgebildet)

Sicherheitszubehör

- Sicherheitssensoren ⑬, [siehe Seite 42](#).
- Fingerschutz ⑨, [siehe Seite 42](#).

Fehlersuche

Problem?	Maßnahmen
Die Tür öffnet sich nicht	
Der Motor startet nicht	Ändern Sie die Einstellung des Programmschalters. (Siehe Seite 40). Stellen Sie sicher, dass sich keine Gegenstände in der Erfassungszone befinden, falls ein Sensor vorhanden ist. Überprüfen Sie den Netzanschluss und die Sicherung im Gebäude.
Der Motor startet, aber die Tür(en) öffnet bzw. öffnen sich nicht.	Entriegeln Sie die mechanischen Verriegelungen. Stellen Sie sicher, dass nichts unter der Tür eingeklemmt ist.
Die Tür schließt sich nicht	Ändern Sie die Einstellung des Programmschalters. (Siehe Seite 40). Stellen Sie sicher, dass sich keine Gegenstände in der Erfassungszone befinden, falls ein Sensor vorhanden ist. Stellen Sie sicher, dass nichts unter der Tür eingeklemmt ist.
Die Tür öffnet und schließt sich unaufhörlich	Stellen Sie sicher, dass sich keine beweglichen Gegenstände in einer Entfernung von 1 bis 1,5 m von der Tür befinden, falls ein automatischer Impulsgeber eingebaut ist.
Sollte das Problem weiterhin bestehen, wenden Sie sich an Ihre ASSA ABLOY Entrance Systems-Vertretung.	

Service/Wartung

Service- und Einstellarbeiten durch die autorisierte ASSA ABLOY Entrance Systems-Vertretung stellen den sicheren und ordnungsgemäßen Betrieb der automatischen Tür sicher.

Nicht vergessen, die Dokumente „Service Log Book“ (Serviceprotokollheft) und „Abnahmetest am Montageort und Risikobewertung“ (PRA-0007) verfügbar zu halten. Sie werden gemeinsam benutzt.

In der untenstehenden Tabelle finden Sie die empfohlenen Zeitabstände in Monaten, in denen Teile während vorkehrender Wartungsarbeiten auszutauschen sind. Wenden Sie sich an Ihre ASSA ABLOY Entrance Systems-Vertretung, um mehr über unser Serviceangebot zu erfahren!

Teil	Teilenummer	Zyklen/Stunden in Betrieb			Vandalismusge- fährdetes Umfeld
		<10	<100	>100	
		Geringer Personen- verkehr	Mittlerer Personen- verkehr	Starker Personen- verkehr	
PUSH-arm-service-kit	330000271 SI/BK	24	12	6	6
PULL-Arm-Service-Kit	330000272 SI/BK	24	12	6	6
Endanschlagsatz	330000276	24	12	6	6
Mikroschalter	330000275	24	12	6	6
Adaptersatz	330000270 SI/BK	24	12	6	6
Transmissionseinheit	331007291	60	60	60	60
Steuereinheit CU-200 mit EXU- Platinen	331008346	60	60	60	60
Batterie	33738753	24	24	24	24

Weitere Produkte von ASSA ABLOY Entrance Systems

- Türsysteme
- Balancetür
- Luftschleier
- Karusselltüren
- Schiebetüren
- Automatische und manuelle Impulsgeber
- Sektionaltore
- Dienstleistungen wie vorkehrende Wartung, Aktualisierung von Programmen, Notfallreparaturen, Wartungsratschläge und Türverwaltung
- Vertikalbeschlag-Gewebetor
- Überladebrücken
- Torabdichtungen
- Falttore
- Schnellauftore
- Loadhouses

Hiermit erklären **ASSA ABLOY Entrance Systems AB**
wir,

**Lodjursgatan 10
SE-261 44 Landskrona
Sweden**

in alleiniger Verantwortung, dass das Produkt:
SW200

den folgenden Richtlinien entspricht:

**Richtlinie über die elektromagnetische Verträglichkeit 2014/30/EG
Maschinenrichtlinie 2006/42/EG**

**2011/65/EU mit den anwendbaren Änderungen zur Beschränkung der Verwendung bestimmter Gefahrenstoffe
bei elektrischen und elektronischen Geräten (RoHS)**

Angewendete harmonisierte europäische Normen:

EN ISO 13849-1:2015

EN 60335-1:2012+A11:2014

EN 60335-2-103:2015

EN 61000-6-2:2005

EN 61000-6-3:2007+A1:2011

EN 16005:2012/AC:2015

Weitere angewendete Normen oder technische Spezifikationen:

FCC 47 CFR Part 15 B

UL 325

IEC 60335-1 ed 5:2010

IEC 60335-2-103: ed. 2.1:2011

EN 1634-1:2008

Von einer befugten bzw. zuständigen Stelle (die vollständige Adresse erhalten Sie bei ASSA ABLOY Entrance Systems AB) ausgestelltes Zertifikat bezüglich des Produkts:

SC0072-14

UL File E47833

UL File R9469

Der Fertigungsprozess garantiert die Übereinstimmung des Produkts mit der technischen Akte. Der Fertigungsprozess wird regelmäßig von einem unabhängigen Prüfinstitut bewertet.

Die CE-Kennzeichnung erfolgte erstmals 2013-11-04.

Zusammenstellung der technischen Akte:

Anders Forslind

ASSA ABLOY Entrance Systems AB

Lodjursgatan 10

SE-261 44 Landskrona

Sweden

Ort
Landskrona

Datum
2021-04-16

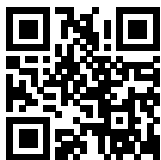
Unterschrift
Klas Hagelin

Position
Global Quality Manager



ASSA ABLOY Entrance Systems hat sich als führender Anbieter auf automatische Eingangslösungen zur Sicherung eines effizienten Waren-, Fahrzeug- und Personenverkehrs spezialisiert. Auf der Grundlage des langjährigen Erfolgs der Marken Besam, Crawford, Albany und Megadoor bieten wir unsere Lösungen unter der Marke ASSA ABLOY an. Mit unseren Produkten und Dienstleistungen erfüllen wir den Bedarf unserer Kunden nach einem sicheren, zweckmäßigen und nachhaltigen Betrieb. ASSA ABLOY Entrance Systems ist ein Geschäftsbereich von ASSA ABLOY.

assaabloyentrance.de,
assaabloyentrance.at



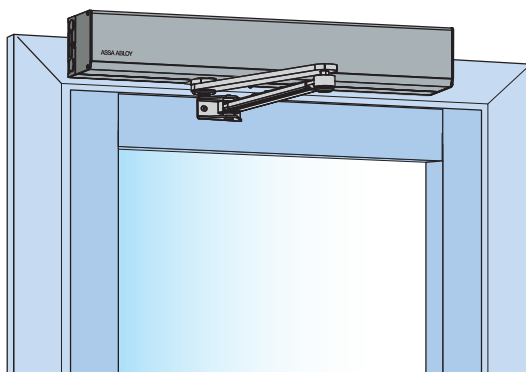
ASSA ABLOY Entrance Systems

Tel.: 030 23 18 80 (DE), 01 914 55 37-0 (AT)
info.de.aaes@assaabloy.com (DE), info.at.aaes@assaabloy.com (AT)
assaabloyentrance.de, assaabloyentrance.at

Svingdørsåbner ASSA ABLOY SW200

DK

Brugervejledning Originale anvisninger



INDHOLD

Anvisninger for sikker drift	51
Tillykke med den nye automatiske dør!	53
Modtageforstyrrelse forårsaget af elektronisk udstyr	53
Miljømæssige krav	53
Produktansvar	53
Garanti	54
Service	54
Tilsluttet brug	55
Tekniske specifikationer	55
Hvordan ASSA ABLOY SW200 fungerer	56
ASSA ABLOY SW200 Variationer	56
Regelmæssige sikkerhedscheck	57
Generelt tilbehør	60
Sikkerhedstilbehør	60
Fejlfinding	60
Service/vedligeholdelse	61
Andre produkter fra ASSA ABLOY Entrance Systems	61
Overensstemmelseserklæring	62

ASSA ABLOY i form af ord og logo varemærker er ejet af ASSA ABLOY Group

© ASSA ABLOY Entrance Systems, 2021

Tekniske data med forbehold for ændringer uden varsel.

Anvisninger for sikker drift



- Manglende overholdelse af oplysningerne i denne brugervejledning kan evt. medføre personskader og beskadigelse af udstyret.
- For at nedsætte risikoen for personskader, må denne døråbner kun bruges med enkelt eller dobbelt svingdør eller foldedør til gående.
- Benyt ikke udstyret i tilfælde af behov for reparation eller justering.
- Frakobl strømforsyning, hvis der skal foretages rengøring eller anden vedligeholdelse.
- Døråbneren kan betjenes af børn på mere end 8 år, hvis de er blevet instrueret i brugen af en person med ansvar for deres sikkerhed.
- Døråbneren kan betjenes af børn på 8 år eller yngre, hvis de bliver overvåget af en person med ansvar for deres sikkerhed.
- Døråbneren kan betjenes af personer med nedsat fysisk, følelsesmæssig eller mental kapacitet, hvis de er blevet instrueret i brugen af en person med ansvar for deres sikkerhed.
- Rengøring og brugervedligeholdelse må ikke foretages af børn.
- Lad ikke nogen klatre op på eller lege med døren eller de faste betjeningsgreb eller fjernbetjeningsgreb.

- Dørsættet kan betjenes automatisk med følere eller manuelt med aktivatorer. Den kan også bruges manuelt som en dørlukker.

Tillykke med den nye automatiske dør!

ASSA ABLOY Entrance Systems ABhar udviklet automatiske døre i mere end 50 år. Avanceret teknologi og omhyggeligt afprøvede materialer og komponenter giver dig et førsteklasses produkt.

Som det er tilfældet med andre tekniske produkter, kræver den automatiske dør periodisk vedligeholdelse og service. Det er vigtigt, at du kender den automatiske dør (dørsystem), og at du erkender betydningen af vedligeholdelsen af den i overensstemmelse med de gældende sikkerhedsstandarder.

Den lokale ASSA ABLOY Entrance Systems-autoriserede forhandler har et godt kendskab til disse standarder såvel som gældende lokale forskrifter og ASSA ABLOY Entrance Systems anbefalinger i forbindelse med elektrisk betjente døre til fodgængertrafik. Service og justeringer foretaget af den ASSA ABLOY Entrance Systems-autoriserede forhandler vil garantere sikker og korrekt funktion af din automatiske dørenhed.

Modtageforstyrrelse forårsaget af elektronisk udstyr

Udstyret genererer og udsender radiofrekvent energi, og hvis det ikke installeres og anvendes korrekt, kan det forårsage forstyrrelse af radio- og tv-modtagelse eller andre typer radiofrekvente systemer. Hvis andet udstyr ikke er i fuld overensstemmelse med immunitetskravene, kan der forekomme forstyrrelse.

Der er ingen garanti for, at støj ikke opstår i en bestemt installation. Hvis dette udstyr skaber støj i forbindelse med modtagelse af radio- eller tv-signaler, hvilket kan afgøres ved at slukke og tænde for udstyret, opfordrer vi brugeren til at forsøge at fjerne støjen ved at udføre en eller flere af følgende foranstaltninger:

- Stil modtagerantennen i en anden position.
- Flyt modtageren, men på en sådan måde, at udstyret stadig fungerer.
- Flyt modtageren væk fra udstyret.
- Tilslut modtageren til et andet stik, så udstyret og modtageren er tilsluttet forskellige strømkredse.
- Kontroller, at jordforbindelsen (PE) er tilsluttet.

Om nødvendigt bør brugeren kontakte forhandleren eller en erfaren elektroniktekniker for at få yderligere rådgivning.

Miljømæssige krav

ASSA ABLOY Entrance Systemsprodukter er udstyret med elektronik og kan også indeholde batterier med materialer, som er farlige for miljøet. Slå strømmen fra inden fjernelse af elektronik og batteri, og sørg for korrekt bortskaffelse i henhold til lokale forskrifter (hvordan og hvor), som det var tilfældet med emballagematerialet.

Produktansvar

I henhold til forordninger pålægges ejeren af udstyret eller personen med ansvaret herfor følgende former for ansvar:

- at udstyret fungerer korrekt, så der sikres tilstrækkelig beskyttelse i sikkerheds- og sundhedsmæssig henseende
- at udstyret betjenes, vedligeholdes regelmæssigt, efterses og serviceres af en person med dokumenteret kendskab til udstyret og gældende forskrifter
- at de medfølgende dokumenter "Servicelogbog" og "Stedsaccepttest og risikovurdering" (PRA-0007) skal være tilgængelige til vedligeholdelses- og serviceoptegnelser.
- at inspektionen omfatter nødåbningsfunktionen (hvis relevant)
- at lukkekræften er korrekt i forhold til dørstørrelsen for brandgodkendte dørsystemer (hvis relevant).

Garanti

ASSA ABLOY Entrance Systemsgaranterer, at deres produkter er fri for fejl i materialer og forarbejdning i forbindelse med tiltænkt anvendelse og service i en garantiperiode på 12 måneder startende fra leveringstidspunktet. Denne garanti omfatter kun den oprindelige køber af udstyret.

ASSA ABLOY Entrance Systemsgaranterer, at softwaren i alt væsentligt fungerer i overensstemmelse med dens funktionsbeskrivelse, og at den er lagret på et medie, der ikke er fejlbehæftet.

ASSA ABLOY Entrance Systems garanti dækker ikke:

- At softwaren er fejlfri eller fungerer uden afbrydelser.
- Almindeligt slid og ælde på systemet
- Sikring, ikke-genopladelige batterier og glasskade
- Systemafvigelser, der kan tilskrives andre installatører end ASSA ABLOY Entrance Systems
- Misbrug, ændring eller beskadigelse af systemet forårsaget ved hærværk eller misbrug
- System, der efterfølgende er blevet udstyret med ASSA ABLOY Entrance Systems uoriginale dele og/eller reservedele
- Unødvendige besøg grundet dårlig kundekommunikation (betjening af døren ved vores teknikers ankomst, nulstilling, strømafbrydelse)
- Justeringer (åbnings- og lukkehastighed og også registreringsfeltradarer) foretaget efter kunde-anmodninger (omfatter ikke driftsmæssige justeringer, der anses for at udgøre en fare)
- Vandskade
- Ugunstige vejrforhold
- Enhver form for skade, der direkte eller indirekte skyldes forhold, der ligger uden for den kontrol, der kan tillægges den relevante virksomhed i ASSA ABLOY Entrance Systems, som f.eks. arbejds-konflikt, brand, naturkatastrofer, krig, omfattende mobilisering, borgerlige uroligheder, rekvision, beslaglæggelse, embargo, restriktioner omfattende elforsyning og fejl eller forsinkelser i leverancer fra underleverandører forårsaget af enhver af disse omstændigheder.

Bemærk:

- Manglende overholdelse af fabrikantens anbefalinger om pleje og vedligeholdelse kan medføre bortfald af garantien.
- ASSA ABLOY Entrance Systems-autoriserede forhandlere udsteder kun denne garanti til slutbrugere, men har ingen bemyndigelse til at udvide garantien eller udstede andre former for garanti på vegne af ASSA ABLOY Entrance Systems.
- En serviceaftale med ASSA ABLOY Entrance Systems medvirker til at sikre, at der er et fuldt fungerende dørsystem til rådighed, og at tilkald fra brugerens side får prioritet, så det tidsrum, hvor døren ikke kan anvendes, nedbringes mest muligt.

Service

Eftersyn bør foretages regelmæssigt af en uddannet og kvalificeret person. Hyppigheden af disse eftersyn skal være i overensstemmelse med nationale forordninger (eller i henhold til branchestandarder, hvis der ikke findes nationale forordninger). Dette er især vigtigt, hvis installationen omfatter en brandgodkendt dør eller en dør med en nødåbningsfunktion. For at forlænge levetiden af din investering og sørge for sikker og pålidelig betjening af døren, anbefaler vi mindst 2 besøg pr. år eller mere afhængig af brug og driftsforhold. Miljømæssige aspekter skal også tages i betragtning.

Da dine indgange er en del af din løbende forretning, er der al mulig grund til at sikre, at de fungerer perfekt. ASSA ABLOY Entrance Systems tilbyder dig vedligeholdelses- og moderniseringseksptertise, du kan stole på. Vores vedligeholdelsesprogrammer og moderniseringstjenester for indgangsautomatik bakked op af omfattende ekspertise inden for alle former for indgangsdøre til gående og industriporte og dockingsystemer uanset mærke. Der er et dedikeret team af ekspertteknikere til din disposition, og de har påviseligt årtiers erfaring med vedligeholdelse og service og tilfredse kunder.

Tilsligtet brug

ASSA ABLOY SW200 er en automatisk svingdørsåbner udviklet til at gøre livet nemmere for alle, der kan drage fordel af automatiske døre. ASSA ABLOY SW200 er en lavenergidøråbner, der bruger en jævnstrømsmotor og et gearreduktionssystem til at trække et armsystem, der åbner døren. Den skal monteres indendørs, hvor den er velegnet til alle typer ind- og udvendige svingdøre. Denne meget udbredte døråbner kan findes på anvendelsesområder inden for sundhedspleje, boligbyggeri, kontor- og offentlige bygninger.

Døren er konstrueret til kontinuerlig brug, en høj grad af sikkerhed og lang levetid. Systemet er selvjusterende over for virkningerne af de normale udsving i vejrforhold og mindre friktionsændringer på grund af f. eks. snavs.

Dørsættet kan åbnes manuelt som flugtvej i nødsituationer.

For montering og service se Monterings- og servicevejledning 1009728 for overflademonteret og 1009936 for overliggende skjult montering.

Gem disse anvisninger til fremtidig referencebrug.

Tekniske specifikationer

Fabrikant:	ASSA ABLOY Entrance SystemsAB
Adresse:	Lodjursgatan 10, SE-261 44 Landskrona, Sweden
Type:	ASSA ABLOY SW200
Strømforsyning:	100-240 V AC +10/-15%, 50/60 Hz
Strømforbrug:	Maks. 300 W
Beskyttelsesklasse:	IP20
Lydtryk:	$L_{pa} \leq 70 \text{ dB}(A)$
Godkendelser:	Tredjepartsgodkendelser fra etablerede certificeringsorganisationer gældende for sikker brug, se Overensstemmelseserklæring.

Hvordan ASSA ABLOY SW200 fungerer

Svingdørsåbneren ASSA ABLOY SW200 bruger en jævnstrømsmotor tilsluttet til en udgangsaksel af en kombination af koniske og cylindriske tandhjul. Armsystemet, der er tilsluttet til udgangsakslen, åbner døren i en vægmonteret applikation.





Der er også en justerbar fjedermekanisme tilsluttet til udgangsakslen. Under åbning af døren bliver urfjederen spændt af udgangsaksels rotation. Under lukkecyklussen virker den opsamlende fjederkraft i lukkeretningen. Fjederkraften kan justeres, så der er korrekt kraft til at lukke døren, når den betjenes manuelt eller i tilfælde af strømsvigt.

Døråbneren kan aktiveres med en manuel aktiveringsenhed (albuekontakt) eller en automatisk aktiveringsenhed (radarenhed). Det er også muligt, hvor de lokale forskrifter tillader det, at aktivere døråbneren ved blot at skubbe til døren, hvis der er vælges en push-and-go-enhed.

Efter aktivering af døren åbner den og forbliver åben i en angivet hold-åben tid (HOT). Når denne HOT er udløbet, lukker døren.

ASSA ABLOY SW200 kan indstilles til tre eller fire forskellige tilstande afhængig af programvælgertype, se nedenstående tabel.

Ved fuld manuel indstilling (eller i tilfælde af strømsvigt) fungerer ASSA ABLOY SW200 som en normal dørlukker.

Stilling	Funktion
 FRA	Døren er lukket. Døren kan ikke åbnes med indvendige og udvendige aktiveringsenheder. Døren er låst, hvis der er monteret en elektromekanisk lås. Døren kan åbnes med en nøglekontakt (hvis en sådan er monteret).
 UD	Kun passage indefra. Døren er normalt låst, hvis der er monteret en elektromekanisk lås. Døren kan kun åbnes med den indvendige impulsenhed og med en nøglekontakt (hvis en sådan er monteret).
 AUTO Normal position	Døren kan ikke åbnes med indvendige og udvendige manuelle og/eller automatiske aktiveringsenheder. Hvis der er monteret elektrisk slutblik, er det åbent.
 ÅBEN	Døren holdes permanent åben af motoren.

ASSA ABLOY SW200 Variationer

ASSA ABLOY SW200 -SA-152X152:	Overflademonteret applikation i 152 mm bred x 152 mm høj overkant
ASSA ABLOY SW200 -OHC:	OHC-applikation i 152 mm bred x 152 mm høj overkant

Regelmæssige sikkerhedscheck

Vi har udarbejdet følgende checkliste for at bistå dig med overholdelse af nationale/internationale krav og for at undgå fejlfunktion og fare for personskade.



Benyt ikke døråbneren i tilfælde af behov for reparation eller justering.

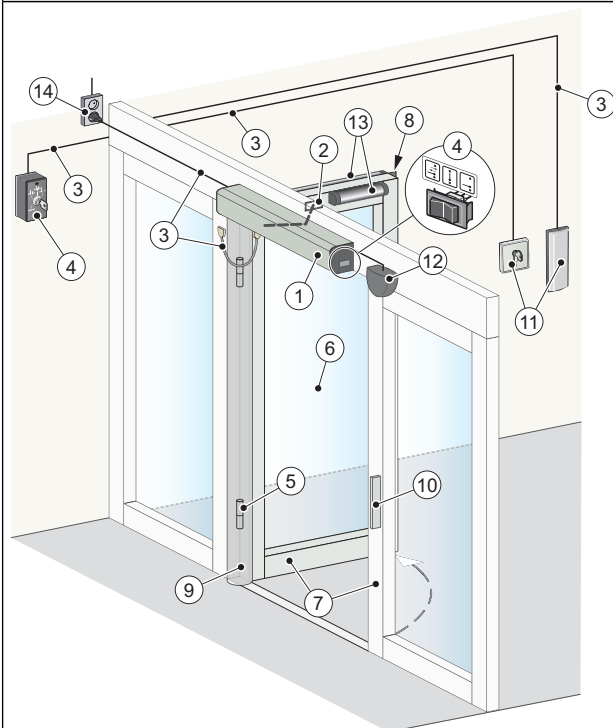
Frakobl strømforsyning, ¹⁴ hvis der skal foretages rengøring eller vedligeholdelse.

Daglig handling		Hvis problemet opstår	
Aktiverer døråbneren, og kontroller <i>visuelt</i> fastgørelse og evt. skade <ul style="list-style-type: none"> • døråbner ¹ • armsystem ² • ledninger ³ • Styrekontakt ⁴ • hængsler ⁵ • dør og glas ⁶ 			
Efterse også døråbneren, og kontroller <i>visuelt</i> <ul style="list-style-type: none"> • skarpe kanter på dørblad og dørramme (hvis relevant) ⁷ • tilstanden på dørtætninger ⁸ • fingerbeskyttelse ⁹ • og afslutningsvis, at det hele kører korrekt og lukker langsomt og jævnt 		 	
Indstil programvælgeren på FRA, og kontroller, at døråbneren og den elektromekaniske lås (hvis monteret) spiller sammen. Kontroller også, at låsen ¹⁰ nu også fastholder døren.			
Aktiver evt. manuelle impulsenheder ¹¹ , og gå i retning mod døren. Kontroller, at døren er åbnet korrekt under passage af indgangen/udgangen. Fortsæt så med de automatiske aktiveringsenheder ¹² på samme måde.			
Kontroller sikkerhedsfølerne, ¹³ hvis relevant, ved at stå i svingbanen og aktivere døråbneren, Døren må ikke ramme dig hverken ved åbning eller lukning. Hvis du er usikker på, hvilken type dørføler du har, så kontakt den lokale ASSA ABLOY Entrance Systems-forhandler.			
Nøddøre	Det er et lovkrav, at disse afprøvninger foretages med regelmæssige mellemrum af uddannet personale.	Indstil programvælgeren på "Auto". Skub døren manuelt i flugtreningen, og sørg for, at intet objekt eller funktion vil forhindre døren i at åbne. Sørg også for, at flugtvejen kan bruges frit.	
Branddøre		Lad døren lukke efter en impuls, og sørg for, at ingen genstande forhindrer lukning og låsning af døren (hvis påkrævet efter bestemmelserne).	

= Træf de nødvendige foranstaltninger.

= Kontakt den lokale ASSA ABLOY Entrance Systems-forhandler. Kontaktoplysninger findes på sidste side.

FUNKTION OG VISUEL INSPEKTION



Overflademontering vist

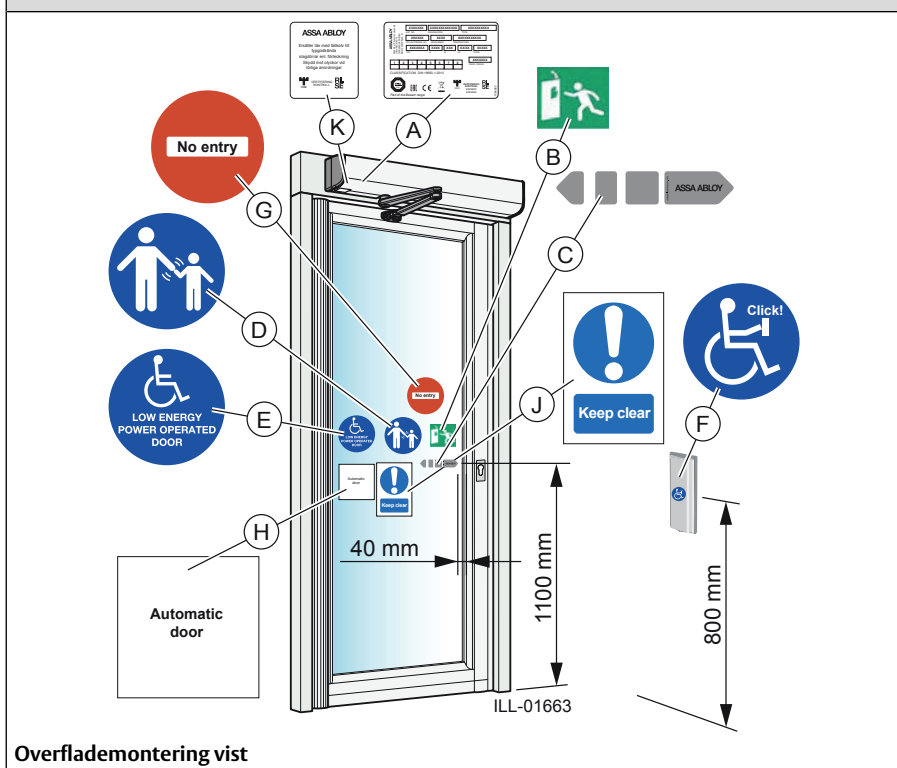
RENGØRING

Det bedste måde til at fjerne støv og snavs fra ASSA ABLOY SW200 er at bruge vand og en blød klud eller en svamp.

Det kan bruges et mildt rengøringsmiddel. For at opretholde kvaliteten af overfladebehandlingen skal overfladerne rengøres en gang hver fjerde måned. Rengøringen skal dokumenteres. For at undgå beskadigelse af profilerne skal børster/tætningslister støvsuges ugentligt.

- Undgå at anvende alkaliske midler til vinduer, døre eller profiler. Aluminium og glas kan ikke tåle alkalier.
- Undgå at rengøre med vand under højtryk. Døråbner, tilstandsvælger og føler kan blive beskadiget, og der kan trænge vand ind i profilerne.
- Lad være med at bruge polerende rengøringsmidler.
- Undgå skrubning med materialer som Scotch-brite, da dette vil forårsage mekaniske skader.

AFMÆRKNING



Overflademontering vist

Handling		Hvis proble- met opstår
Kontrollér, at den krævede afmærkning er foretaget og er intakt. Obligatorisk angiver, at skiltningen er påkrævet i henhold til EU-direktiver og svarer til national lovgivning uden for EU.		
(A)	Produktmærkat: Påkrævet	
(B)	Panikmodul: Obligatorisk ved godkendelse som flugtvej.	
(C)	ASSA ABLOY Entrance Systemsdørmærkat: Påkrævet, hvis relevant, til at gøre opmærksom på tilstedeværelsen af glas (på sættes på alle glassektioner, der bevæger sig).	
(D)	Overvågning af børn (på sættes på begge sider af døren): Obligatorisk i henhold til nationale forskrifter. Anbefalet, hvor risikoanalysen viser, at den bruges af børn.	
(E)	Døråbner konstrueret til handicappede: Påkrævet, hvis relevant (på sættes på begge sider af døren).	
(F)	Aktivering af handicappede: Påkrævet, hvis relevant.	
(G)	Ingen adgang, identificering af envejsgennemgang: Påkrævet i GB og USA, hvis relevant. Indgår ikke i produktet.	
(H)	Automatic door	
(J)	Må ikke blokeres	
(K)	SITAC-mærkat: Påkrævet i Sverige	

= Kontakt din lokale ASSA ABLOY Entrance Systems serviceafdeling. Kontaktoplysninger findes på sidste side.

Generelt tilbehør

- Styrekontakt (4), [se side 58](#)
- Elektrisk lås (10), [se side 58](#)
- Nøglekontakt (11), [se side 58](#)
- Albuekontakt (11), [se side 58](#)
- Radar (12), [se side 58](#)
- Trådløse sendere (ikke illustreret)
- Adgangskontrol (ikke illustreret)
- Dørstop (ikke illustreret)

Sikkerhedstilbehør

- Sikkerhedsfølere (13), [se side 58](#).
- Fingerbeskyttelse (9), [se side 58](#).

Fejlfinding

Hvad er der galt?	Afhjælpning
Døren åbner ikke	
Motoren starter ikke	Skift indstilling i tilstandsvælger. (Se side 56). Sørg for, at der ikke er objekter, som bevæger sig, i registreringsområderne, hvis der er monteret en føler. Kontrollér lysnettet og sikringen i bygningen.
Motoren starter, men døren/dørene åbner ikke	Åbn den mekaniske lås. Kontrollér, om genstande har kilet sig fast under døren.
Døren lukker ikke	Skift indstilling i tilstandsvælger. (Se side 56). Sørg for, at der ikke er objekter, som bevæger sig, i registreringsområderne, hvis der er monteret en føler. Kontrollér, om genstande har kilet sig fast under døren.
Døren åbner og lukker konstant.	Sørg for, at der ikke er objekter, som bevæger sig i inden for 1-1,5 m (39"-59") fra døren, hvis der er monteret en automatisk aktiveringsenhed.
Hvis problemet fortsætter, så kontakt den lokale ASSA ABLOY Entrance Systems-forhandler.	

Service/vedligeholdelse

Service og justeringer foretaget af den ASSA ABLOY Entrance Systems-autoriserede forhandler garanterer sikker og korrekt funktion af det automatiske dørsystem.

Husk, at dokumenterne "Servicelogbog" og "Stedsaccepttest og risikovurdering" (PRA-0007) skal være tilgængelige. De bruges sammen.

Nedenstående tabel viser anbefalet interval i måneder for udskiftning af dele i forbindelse med forebyggende vedligeholdelse. Tal med din ASSA ABLOY Entrance Systems forhandler for at få mere at vide om vores servicetilbud.

Del	Del-nr.	Cykluser/driftstimer			Krævende miljø
		<10	<100	>100	
		Lav gennemgang	Mellemstor gennemgang	Stor gennemgang	
Servicesæt til PUSH-arm	330000271 SI/BK	24	12	6	6
PULL armservicesæt	330000272 SI/BK	24	12	6	6
Stoparmsæt	330000276	24	12	6	6
Mikrokontaktsæt	330000275	24	12	6	6
Adaptersæt	330000270 SI/BK	24	12	6	6
Transmissionsenhed	331007291	60	60	60	60
Styremodul CU-200 med EXU-kort	331008346	60	60	60	60
Batteri	33738753	24	24	24	24

Andre produkter fra ASSA ABLOY Entrance Systems

- Dørsystemer
- Balancedøre
- Lufttæppe
- Karruseløre
- Skydedøre
- Automatiske og manuelle impulsenheder
- Overliggende sektionsopdelte porte
- Service som f.eks. forebyggende vedligeholdelse og opgraderingsprogrammer, nødreparationer, servicerådgivning og døradministration
- Lodret åbnende porte med portdug
- Læssebroer
- Porttætninger
- Foldeporte
- Højhastighedsdøre
- Slusehuse

Vi **ASSA ABLOY Entrance Systems AB**
Lodjursgatan 10
SE-261 44 Landskrona
Sweden

erklærer som eneansvarlig, at følgende type udstyr:
SW200

er i overensstemmelse med følgende direktiver:

Elektromagnetisk kompatibilitetsdirektiv (EMCD) 2014/30/EF
Maskindirektivet (MD) 2006/42/EF
2011/65/EU om restriktioner i brug af visse farlige stoffer i elektrisk og elektronisk udstyr med relevante ændringer (RoHS)

Harmoniserede europæiske standarder, der er blevet anvendt:

EN ISO 13849-1:2015	EN 60335-1:2012+A11:2014
EN 60335-2-103:2015	EN 61000-6-2:2005
EN 61000-6-3:2007+A1:2011	EN 16005:2012/AC:2015

Andre standarder eller tekniske specifikationer, der er blevet anvendt:

FCC 47 CFR Part 15 B	UL 325
IEC 60335-1 ed 5:2010	IEC 60335-2-103: ed. 2.1:2011
EN 1634-1:2008	

Certifikat udstedt af et bemyndiget eller kompetent organ (få fuld adresse ved at kontakte ASSA ABLOY Entrance Systems AB) om udstyret:

SC0072-14	UL File E47833
UL File R9469	

Fremstillingsprocessen sikrer, at udstyret er i overensstemmelse med den tekniske sagsakt. Fremstillingsprocessen evalueres regelmæssigt af tredjepart.

CE-mærket blev påført først 2013-11-04.

Sammenskrivning af tekniske data:

Anders Forsliind
ASSA ABLOY Entrance Systems AB
Lodjursgatan 10
SE-261 44 Landskrona
Sweden

Sted
Landskrona

Dato
2021-04-16

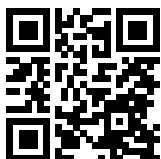
Underskrift
Klas Hagelin

Stilling
Global Quality Manager



ASSA ABLOY Entrance Systems er en førende leverandør af automatiske indgangspartier, der sikrer et effektivt flow af varer og mennesker. Baseret på den langvarige succes for mærkerne Besam, Crawford, Albany og Megadoor tilbyder vi vores løsninger under mærket ASSA ABLOY. Vores produkter og tjenester er dedikeret til at tilfredsstille slutbrugernes behov for sikkerhed, komfort og bæredygtige funktioner. ASSA ABLOY Entrance Systems er en division inden for ASSA ABLOY.

assaabloyentrance.dk



ASSA ABLOY Entrance Systems

Tlf.: +45 44 53 70 80
info.dk.aaes@assaabloy.com
assaabloyentrance.dk

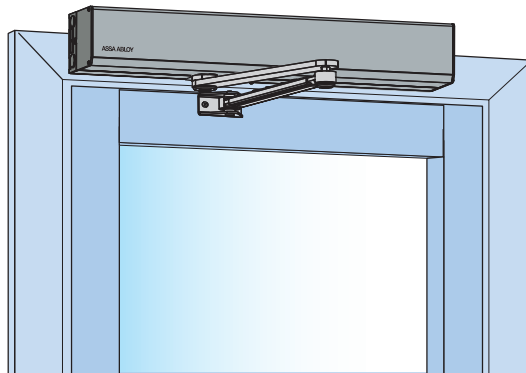
Mecanismo para puertas batientes

ASSA ABLOY SW200

Manual de usuario

Instrucciones originales

ES



INDICE

Instrucciones para un funcionamiento seguro	67
Enhorabuena por su nueva puerta automática , la puerta	69
Interferencias en la recepción de equipos electrónicos	69
Requisitos medioambientales	69
Fiabilidad de producto	69
Garantía	70
Servicio	70
Uso previsto	71
Especificaciones técnicas	71
Funcionamiento del ASSA ABLOY de SW200	72
ASSA ABLOY SW200 Variaciones	72
Comprobaciones regulares de seguridad	73
Accesorios generales	77
Accesorios de seguridad	77
Solución de problemas	77
Mantenimiento/servicio	78
Otros productos de ASSA ABLOY Entrance Systems	78
Declaración de conformidad	79

ASSA ABLOY y su logotipo son marcas registradas propiedad del Grupo ASSA ABLOY.

© ASSA ABLOY Entrance Systems,2021

Datos técnicos sujetos a cambios sin previo aviso.

Instrucciones para un funcionamiento seguro



- Si se hace caso omiso de la información proporcionada en este manual pueden producirse lesiones personales o daños en el equipo.
- Para reducir el riesgo de lesiones personales, utilice este mecanismo solamente con puertas peatonales batientes o plegables simples o dobles.
- No usar el equipo si necesita reparaciones o ajustes.
- Desconectar el suministro eléctrico al limpiar o al realizar otras operaciones de mantenimiento.
- El mecanismo puede ser utilizado por niños mayores de 8 años de edad si han sido instruidos por una persona a cargo de su seguridad.
- El mecanismo puede ser utilizado por niños mayores de 8 años de edad o más pequeños si han sido instruidos por una persona a cargo de su seguridad.
- El mecanismo puede ser utilizado por personas con discapacidad física, sensorial o mental, si han sido instruidos por una persona a cargo de su seguridad.
- La limpieza y el mantenimiento que debe realizar el usuario no deberán realizarlo niños.
- No permitir que nadie se suba a la puerta ni juegue con ella ni con sus controles fijos/remotos.

- El conjunto de puertas puede accionarse automáticamente mediante sensores o manualmente con activadores. Puede utilizarse manualmente como un mecanismo de cierre.

Enhorabuena por su nueva puerta automática , la puerta

ASSA ABLOY Entrance Systems AB lleva más de 50 años desarrollando puertas automáticas. Gracias a la moderna tecnología y a materiales y componentes sometidos a exhaustivos exámenes, podrá disfrutar de un producto de la más alta calidad.

Al igual que ocurre con otros productos técnicos, su puerta automática requiere un servicio y mantenimiento periódicos. Es esencial que conozca su (sistema de) puertas automáticas y que se dé cuenta de la importancia de mantenerla de acuerdo a los estándares de seguridad aplicables.

El representante autorizado de ASSA ABLOY Entrance Systems de su localidad ya conoce estos estándares, así como la normativa local aplicable y las recomendaciones de ASSA ABLOY Entrance Systems para puertas destinadas al tráfico peatonal accionadas eléctricamente. El servicio y ajustes realizados por el representante autorizado de ASSA ABLOY Entrance Systems asegurarán un funcionamiento correcto y seguro de su puerta automática.

Interferencias en la recepción de equipos electrónicos

Este equipo puede generar y utilizar energía de radiofrecuencia y si no se instala ni se utiliza como es debido, puede provocar interferencias en la recepción de radio, televisión u otros sistemas que funcionen por frecuencia de radio.

Si cualquier otro equipo no cumple en su totalidad los requisitos de inmunidad pueden producirse interferencias.

No obstante, esto no garantiza que no se producirán interferencias en una instalación en particular. Si este equipo provocara interferencias en la recepción de radio y televisión, aspecto que se puede comprobar encendiendo y apagando el equipo, el usuario puede intentar corregir tales interferencias adoptando una o más de las siguientes medidas:

- Re-orientar la antena receptora.
- Volver a ubicar el receptor en relación al equipo.
- Apartar el receptor del equipo.
- Conectar el receptor a otro enchufe, de manera que el equipo y el receptor estén en diferentes circuitos derivados.
- Comprobar que la tierra de protección (PE) está conectada.

Si es necesario, el usuario deberá solicitar asistencia adicional al distribuidor o a un técnico electrónico experimentado.

Requisitos medioambientales

ASSA ABLOY Entrance Systems los productos están equipados con piezas electrónicas y también pueden utilizar baterías que contengan materiales peligrosos para el medio ambiente. Desconectar la alimentación antes de desmontar cualquier componente electrónico y asegurarse de que se desecha conforme a la normativa local (modo y lugar) del mismo modo que se ha hecho con el embalaje.

Fiabilidad de producto

Según la normativa, los siguientes aspectos quedan bajo la responsabilidad del propietario o la persona que realice el mantenimiento del equipo

- que el equipo funcione correctamente, de tal modo que ofrezca la suficiente protección en lo referente a seguridad e higiene
- que el equipo se accione, se mantenga y se someta a inspecciones y servicio regulares por parte de una persona debidamente formada en las normativas aplicables y el funcionamiento del equipo

- que los documentos entregados “Libro de Mantenimiento” y “Evaluación de riesgos y prueba de aceptación en las instalaciones” (PRA-0007), están disponibles para realizar los registros de mantenimiento y servicio.
- que la inspección incluya la función de apertura de emergencia (en el caso que corresponda)
- que la fuerza de cierre sea la adecuada para el tamaño de puerta en sistemas de puertas resistentes al fuego homologadas (cuando corresponda).

Garantía

ASSA ABLOY Entrance Systems garantiza que sus productos están libres de defectos de material o mano de obra cuando se utilicen y mantengan del modo indicado durante un periodo de doce (12) meses, a partir de la fecha de entrega. Esta garantía solo cubre al comprador original del equipo.

ASSA ABLOY Entrance Systems garantiza que el software funcionará en gran medida del modo descrito en las instrucciones de funcionamiento y que se ha documentado que está libre de defectos.

La garantía de ASSA ABLOY Entrance Systems no cubre

- La ausencia de errores en el software ni que este funcione sin interrupciones
- Desgaste y roturas generales del sistema
- Daños en el cristal, baterías desechables, fusibles
- Desviaciones del sistema provocadas por un instalador no homologado ASSA ABLOY Entrance Systems
- Sistemas de puertas que se hayan modificado, o hayan sufrido daños vandálicos, o se hayan utilizado incorrectamente
- Sistemas a los que se ha dotado de piezas adicionales y/o piezas de repuesto que no sean originales de ASSA ABLOY Entrance Systems
- Visitas no solicitadas debidas a una mala comunicación con el cliente (puerta en funcionamiento cuando llegan nuestros técnicos, restablecimiento, interrupción del suministro eléctrico)
- Ajustes (velocidad de apertura y cierre y radares de campo de detección) solicitados por el cliente (se se ha considerado que algunos ajustes podían crear situaciones de peligro, por lo que no se han realizado)
- Daños por agua
- Condiciones meteorológicas adversas
- Cualquier daño provocado, directa o indirectamente, por cualquier circunstancia que sobrepase el control de la empresa pertinente en ASSA ABLOY Entrance Systems, como disputas industriales, incendios, desastres naturales, guerra, movilización militar extensiva, insurrección, requisición, confiscación, embargo, restricciones del uso del suministro eléctrico y defectos o retrasos en las entregas por parte de los subcontratistas provocadas por cualquier circunstancia.

Observe que:

- El no cumplimiento de las recomendaciones sobre cuidado y mantenimiento del fabricante puede anular esta garantía.
- ASSA ABLOY Entrance Systems los distribuidores autorizados podrán extender esta garantía solamente a usuarios finales, pero carecen de autoridad para extender una garantía mayor o distinta en nombre de ASSA ABLOY Entrance Systems.
- Los acuerdos de servicio con ASSA ABLOY Entrance Systems garantizan la disponibilidad de un sistema totalmente operativo y disfrutará de prioridad en los servicios a domicilio, minimizando así el tiempo de inactividad del sistema.

Servicio

Un técnico debidamente cualificado y formado deberá realizar inspecciones regulares. la frecuencia de las mismas debería ser como mínimo la indicada en la normativa nacional o en los estándares industriales en ausencia de una normativa nacional. Esto es especialmente importante cuando se

trata de instalaciones de puertas contraincendios homologadas o de puertas con función de apertura de emergencia. Para alargar la vida útil de su inversión y garantizar un funcionamiento fiable y seguro de la puerta, recomendamos dos visitas anuales o más, como mínimo, dependiendo del uso y condiciones de funcionamiento. También han de tenerse en cuenta los aspectos medioambientales.

Como sus entradas forman parte del flujo de su negocio, es necesario mantenerlas en buen estado de funcionamiento. ASSA ABLOY Entrance Systems le ofrece una experiencia en mantenimiento y modernización de confianza. Nuestros programas de mantenimiento y servicios de modernización para automatización de accesos están respaldados por nuestra amplia experiencia en todo tipo de puertas industriales y peatonales y sistemas para muelles, independientemente de su marca. Ponemos a su disposición un equipo de técnicos expertos, con experiencia demostrada durante décadas de mantenimiento y servicio, y cientos de clientes satisfechos.

Uso previsto

El ASSA ABLOY SW200 es un mecanismo automático para puertas batientes desarrollado para facilitar la vida de todas las personas que utilicen las puertas automáticas. El ASSA ABLOY SW200 es un mecanismo de baja energía que se acciona con un motor de CC y un sistema de engranajes reductores que accionan un sistema de brazo que abre la puerta. Se ha diseñado para su instalación en interiores, en la mayoría de tipos de puertas batientes, interiores y exteriores. Este mecanismo, ampliamente utilizado, puede encontrarse en aplicaciones de hospitales, edificios residenciales, de oficinas y públicos.

La puerta se ha diseñado para utilizarla sin interrupciones, con un alto grado de seguridad y máxima vida útil. El sistema se ajusta automáticamente a los efectos causados por las variaciones normales de las condiciones atmosféricas y cambios de fricción menores provocados, por ejemplo, por el polvo y la suciedad.

Para salir en situaciones de emergencia, el conjunto de puertas se abre manualmente.

Para la instalación y mantenimiento consulte el Manual de instalación y servicio 1009728 para instalación en superficie e 1009936 instalación superior oculta.

Guarde estas instrucciones para futuras consultas.

Especificaciones técnicas

Fabricante:	ASSA ABLOY Entrance Systems AB
Dirección:	Lodjursgatan 10, SE-261 44 Landskrona, Sweden
Tipo:	ASSA ABLOY SW200
Suministro eléctrico:	100-240 V AC, +10/-15%, 50/60 Hz
Consumo eléctrico:	Máx. 300 W
Clase de protección:	IP20
Presión acústica:	$L_{pa} \leq 70 \text{ dB}(A)$
Homologaciones:	Homologaciones de terceros realizadas por organizaciones de certificación válidas reconocidas para la seguridad en el uso, consultar la Declaración de conformidad.

Funcionamiento del ASSA ABLOY de SW200





El mecanismo de la puerta batiente ASSA ABLOY SW200 usa un motor de CC conectado al eje de salida mediante una combinación de un engranaje cónico y engranajes dentados. El sistema de brazo conectado al eje de salida abre la puerta en aplicaciones montadas en pared.

También hay un mecanismo de muelle regulable conectado al eje de salida. Durante la apertura de la puerta, el muelle de cierre se tensa por la rotación del eje de salida. Durante el ciclo de cierre, la fuerza del muelle acumulado actúa en la dirección de cierre. La fuerza del muelle puede ajustarse de modo que se genere la fuerza adecuada para cerrar la puerta cuando se acciona manualmente o si se produce una interrupción del suministro eléctrico.

Para activar el mecanismo pueden utilizarse activadores manuales (pulsador de codo) o un activador automático (radar). También es posible activar el mecanismo, siempre que lo permitan los estándares locales, empujando la puerta, si se ha seleccionado la función de empujar y pasar (push and go).

Tras haber activado la puerta se abrirá y permanecerá abierta durante un tiempo de apertura mantenida (HOT) especificado. Cuando el tiempo de apertura HOT ha transcurrido, la puerta se cerrará. El ASSA ABLOY SW200 puede ajustarse en tres o cuatro modos distintos, dependiendo del tipo de selector de programas opcional, consultar la tabla siguiente.

En el modo de uso manual (o si se produce un fallo del suministro eléctrico) el mecanismo ASSA ABLOY SW200 actuará como un mecanismo normal de cierre.

Posición	Funcionamiento
 DESACTIVADO	La puerta está cerrada. La puerta no se puede abrir con unidades de activación interiores ni exteriores. La puerta está cerrada si se ha instalado un dispositivo de cierre electromecánico. La puerta puede abrirse con un interruptor de llave (si está montado).
 SALIDA	Paso desde el interior solamente. La puerta está normalmente cerrada si se ha instalado un dispositivo de cierre electromecánico. La puerta sólo puede abrirse con la unidad de activación interior y con un interruptor de llave (si está montado).
 AUTO Posición normal	La puerta puede ser abierta con los activadores automáticos y/o manuales interiores y exteriores. Si dispone de cierre electromecánico estará abierto.
 ABIERTA	El motor mantiene la puerta abierta permanentemente.

ASSA ABLOY SW200 Variaciones

ASSA ABLOY SW200 -SA-152X152:	Aplicación montada en superficie en soporte con ancho de 152 mm x altura de 152 mm
ASSA ABLOY SW200 -OHC:	Aplicación OHC (mecanismo oculto) en soporte con ancho de 152 mm x altura de 152 mm

Comprobaciones regulares de seguridad

Para ayudarle a cumplir todos los requisitos nacionales/internacionales y para evitar fallos de funcionamiento y el riesgo de que se produzcan lesiones personales, hemos elaborado la siguiente lista de comprobación.



No utilice el mecanismo si necesita alguna reparación o ajuste.

Desconectar el suministro eléctrico ⁽¹⁴⁾ al limpiar o al realizar otras operaciones de mantenimiento.

Acción diaria		Si surge un problema	
Active el mecanismo y compruebe <i>visualmente</i> la sujeción y si ésta presenta daños <ul style="list-style-type: none"> • mecanismo ⁽¹⁾ • sistemas de brazo ⁽²⁾ • cables ⁽³⁾ • Interruptor de control ⁽⁴⁾ • bisagras ⁽⁵⁾ • puertas y cristal ⁽⁶⁾ 			
Inspeccione el mecanismo y compruebe <i>visualmente</i> <ul style="list-style-type: none"> • cantos o bordes afilados en la hoja y el marco de la puerta (si hay) ⁽⁷⁾ • estado de los felpillos o gomas de cierre de la puerta ⁽⁸⁾ • protección para los dedos ⁽⁹⁾ • y finalmente, que toda la puerta funcione correctamente y se cierre lentamente sin problemas. 		 	
Configure el selector de programas en DESACTIVADO y compruebe que el mecanismo y el cerrojo electromecánico (si tiene montado uno) funcionan conjuntamente. Compruebe también que el cerrojo ⁽¹⁰⁾ realmente asegura la puerta.			
Active las unidades de activación manual ⁽¹¹⁾ , si dispone de ellas, y camine hacia la puerta. Compruebe que la puerta se abre adecuadamente al atravesar la entrada/salida. A continuación, continúe con las unidades de activación automática ⁽¹²⁾ del mismo modo.			
Compruebe los sensores de seguridad. ⁽¹³⁾ Si los hay, colocándose en la vía de abatimiento y active el mecanismo. La puerta no debe golpearle al abrir ni al cerrar. Si no está seguro del tipo de sensor de que dispone, póngase en contacto con su representante de ASSA ABLOY Entrance Systems.			
Puertas de evacuación	Según la legislación vigente, estas comprobaciones deben ser realizadas regularmente por personal debidamente formado.	Coloque el selector de programas en modo Auto. Empuje la puerta manualmente en la dirección de salida y asegúrese de que no haya ningún objeto que impida la apertura de la puerta. Asegúrese también de que la ruta de evacuación esté libre y lista para su uso.	
Puertas a prueba de fuego		Deje que la puerta se cierre tras un impulso y asegúrese de que no haya nada que impida el cierre y el bloqueo de la puerta (si la normativa así lo requiere).	

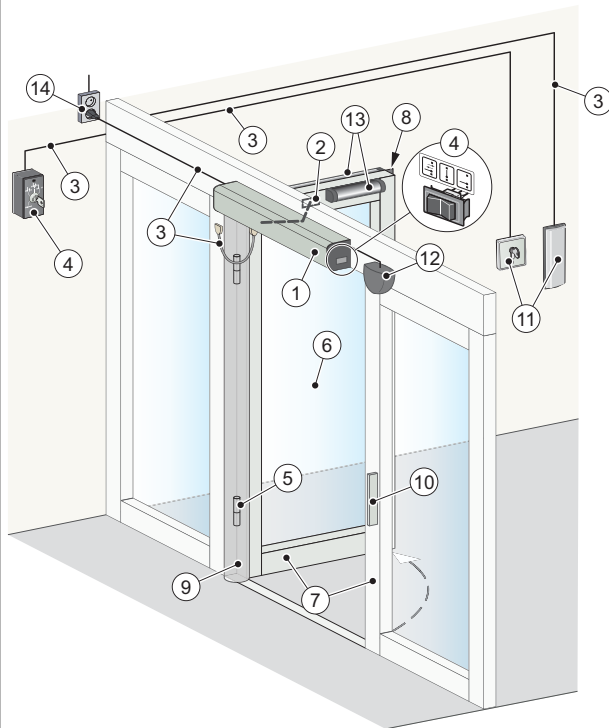


= Realice las acciones que sean necesarias.



= Póngase en contacto con su representante de ASSA ABLOY Entrance Systems. Si desea obtener información sobre la forma de contacto, consulte la última página.

FUNCIONAMIENTO E INSPECCIÓN VISUAL



Se muestra montado en superficie

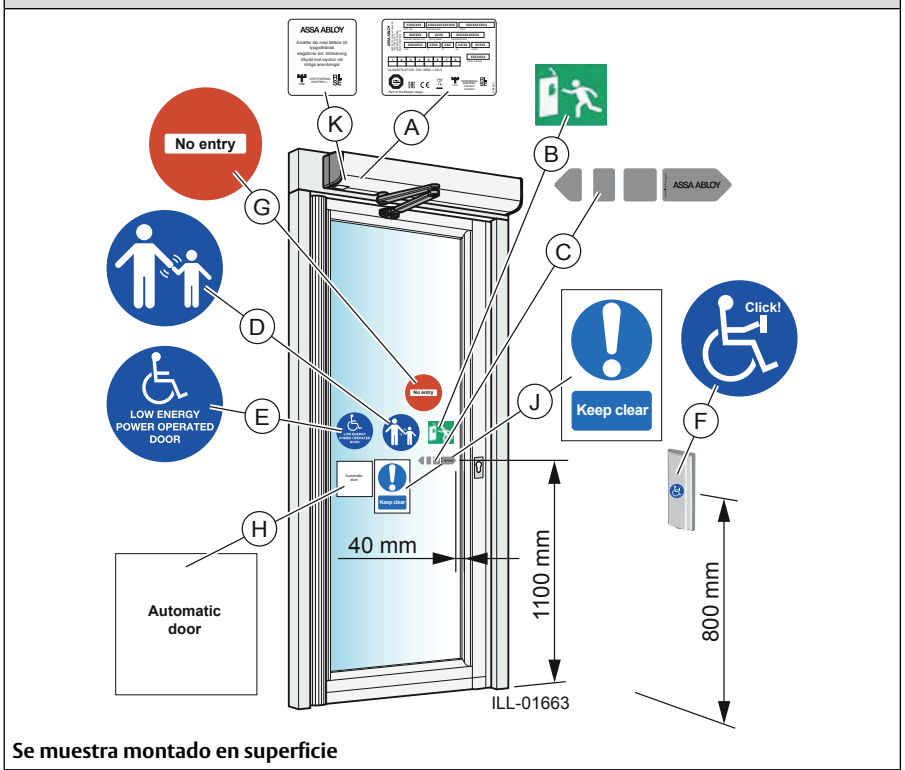
LIMPIEZA

La mejor manera de eliminar el polvo y la suciedad del ASHA ABLOY SW200 es con agua y un paño suave o una esponja.

Se puede utilizar un detergente poco agresivo. Para mantener la calidad del tratamiento de las superficies, estas deben limpiarse una vez cada cuatro meses. Anote las fechas de limpieza en un registro. Para evitar daños en los perfiles, las escobillas/tiras aislantes deben limpiarse semanalmente con una aspiradora.

- No exponga las hojas móviles y fijas o perfiles a los álcalis porque dañan el aluminio y los cristales.
- No lave con chorro de agua a alta presión. El operador, el selector de modo y el sensor pueden estar dañados y el agua puede entrar en los perfiles.
- No utilizar detergentes con pulimentos.
- No utilice estropajos del tipo Scotch-brite porque causan daños mecánicos.

SEÑALIZACIÓN



Se muestra montado en superficie

Acción		Si surge un problema
Compruebe que toda la señalización requerida esté en su sitio e intacta. Obligatorio/a indica que la señalización es obligatoria de acuerdo a las directivas europeas y legislaciones nacionales equivalentes fuera de la Unión Europea.		
(A)	Etiqueta de producto: obligatoria	
(B)	Sistema de evacuación antipánico: obligatorio, si se ha aprobado para una ruta de evacuación.	
(C)	ASSA ABLOY Entrance Systems Pegatina de la puerta de : obligatoria, si es aplicable, para resaltar la presencia del cristal (aplicada en ambos lados de las secciones de cristal móviles).	
(D)	Cuidado con los niños (aplicada en ambos lados de la puerta): Obligatorio según la normativa nacional. Recomendado, si el análisis de riesgo indica uso por niños.	
(E)	Mecanismo diseñado para personas discapacitadas: recomendado, si es aplicable (aplicado en ambos lados de la puerta).	
(F)	Activación por personas discapacitadas: recomendada, si es aplicable.	
(G)	Sin entrada, identificando tráfico de un sentido: obligatorio en Reino Unido y Estados Unidos, en los casos relevantes, no se incluye con el producto.	
(H)	Automatic door	
(J)	Mantener despejado	
(K)	Etiqueta SITAC: Obligatoria en Suecia	



= Póngase en contacto con un representante del servicio técnico de ASSA ABLOY Entrance Systems. Si desea obtener información sobre la forma de contacto, consulte la última página.

Accesorios generales

- Interruptor de control ④, consulte la página 74
- Cerrojo eléctrico ⑩, vea la página 74
- Interruptor de llave ⑪, vea la página 74
- Interruptor de codo ⑫, vea la página 74
- Radar ⑬, vea la página 74
- Mandos a distancia (no se muestran)
- Control de acceso (no se muestra)
- Tope de puerta (no se muestra)

Accesorios de seguridad

- Sensores de seguridad ⑬, vea la página 74.
- Protección para las manos ⑨, vea la página 74.

Solución de problemas

¿Problemas?	Acciones
La puerta no se abre	
El motor no arranca.	Cambie el ajuste del selector de modo. (Ver la página 72).
	Compruebe que no hay objetos en la zona de detección si hay montado un sensor.
	Compruebe el suministro eléctrico y los fusibles del edificio.
El motor arranca pero la(s) puerta(s) no se abre(n)	Desbloquee los cerrojos mecánicos.
	Controle que no hay ningún objeto atascado debajo de la puerta.
La puerta no se cierra	Cambie el ajuste del selector de modo. (Ver la página 72).
	Compruebe que no hay objetos en la zona de detección si hay montado un sensor.
	Controle que no hay ningún objeto atascado debajo de la puerta.
La puerta se abre y cierra continuamente	Compruebe que no hay objetos en movimiento a una distancia de 1 a 1,5 m (39"-59") de la puerta si dispone de una unidad de activación.
Si el problema persiste, póngase en contacto con su representante de ASSA ABLOY Entrance Systems.	

Mantenimiento/servicio

El servicio y ajustes realizados por el representante autorizado de ASSA ABLOY Entrance Systems asegurarán un funcionamiento correcto y seguro de su puerta automática.

Recordar que los documentos “Libro de Mantenimiento” y “Evaluación de riesgos y prueba de aceptación en las instalaciones” (PRA-0007) deben estar disponibles. Estos se utilizan juntos.

En la tabla siguiente se indican los intervalos recomendados, en meses, de cambios de piezas a realizar durante el mantenimiento preventivo. Póngase en contacto con su representante de ASSA ABLOY Entrance Systems que le asesorará sobre nuestra oferta de servicio.

Pieza	Referencia	Ciclos/hora en funcionamiento			Abusivo Medio ambiente
		<10	<100	>100	
		Tránsito bajo	Tránsito medio	Tránsito alto	
Kit de servicio de brazo PUSH	330000271 SI/BK	24	12	6	6
Kit de servicio de brazo PULL	330000272 SI/BK	24	12	6	6
Kit de brazo de tope	330000276	24	12	6	6
Kit de microinterruptores	330000275	24	12	6	6
Kit del adaptador	330000270 SI/BK	24	12	6	6
Unidad de transmisión	331007291	60	60	60	60
Unidad de control CU-200 con tarjetas EXU	331008346	60	60	60	60
Batería	33738753	24	24	24	24

Otros productos de ASSA ABLOY Entrance Systems

- Sistemas de puertas
- Puertas oscilobatientes
- Cortinas de aire
- Puertas giratorias
- Puertas correderas
- Unidades de activación automática y manual
- Puertas seccionales
- Puertas de lona de apertura vertical
- Plataformas
- Abrigos de estanqueidad
- Puertas plegables
- Puertas rápidas
- Loadhouse
- Servicios tales como el mantenimiento preventivo y programas de actualización, reparaciones de emergencia, asesoramiento de servicio y control de la puerta

Nosotros **ASSA ABLOY Entrance Systems AB**
Lodjurgatan 10
SE-261 44 Landskrona
Sweden

declaramos bajo nuestra responsabilidad que los equipamientos:
SW200

cumple con las siguientes directivas:

Directiva de compatibilidad electromagnética (2014/30/CE)

Directiva sobre máquinas (2006/42/CE)

2011/65/UE sobre la restricción del uso de ciertas sustancias peligrosas en aparatos eléctricos y electrónicos con las modificaciones aplicables (RoHS)

Estándares europeos armonizados que se han aplicado:

EN ISO 13849-1:2015

EN 60335-1:2012+A11:2014

EN 60335-2-103:2015

EN 61000-6-2:2005

EN 61000-6-3:2007+A1:2011

EN 16005:2012/AC:2015

Otros estándares o especificaciones técnicas que se han aplicado:

FCC 47 CFR Part 15 B

UL 325

IEC 60335-1 ed 5:2010

IEC 60335-2-103: ed. 2.1:2011

EN 1634-1:2008

Certificado emitido por un organismo notificado o competente (para la dirección completa, póngase en contacto con ASSA ABLOY Entrance Systems AB) relativo al equipo: EN301 489-52 v2.2.0 (proyecto):

SC0072-14

UL File E47833

UL File R9469

El proceso de fabricación garantiza el cumplimiento del equipo con el archivo técnico. El proceso de fabricación se somete a evaluación regular por un tercero.

La marca CE se aplicó por primera vez 2013-11-04.

Compilación del archivo técnico:

Anders Forslind

ASSA ABLOY Entrance Systems AB

Lodjurgatan 10

SE-261 44 Landskrona

Sweden

Lugar
Landskrona

Fecha
2021-04-16

Firma
Klas Hagelin

Posición
Global Quality Manager



ASSA ABLOY Entrance Systems es un proveedor líder de soluciones de acceso automatizado para un flujo eficaz de mercancías y personas. Basándonos en el éxito a largo plazo de las marcas Besam, Crawford, Albany y Megadoor, ofrecemos nuestras soluciones bajo la marca ASSA ABLOY. Nuestros productos y servicios están dedicados a satisfacer las necesidades de los usuarios finales mediante operaciones seguras, cómodas y sostenibles. ASSA ABLOY Entrance Systems es una división de ASSA ABLOY.

assaabloyentrance.es



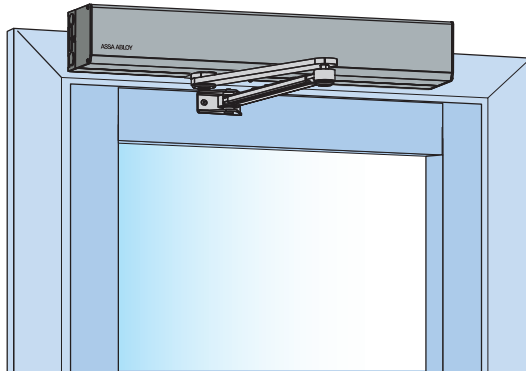
ASSA ABLOY Entrance Systems

Tel.:+34 91 660 10 70
informacion.es@assaabloy.com
assaabloyentrance.es

Käntöovikoneisto ASSA ABLOY SW200

Käyttöohje Alkuperäiset ohjeet

FI



SISÄLTÖ

Ohjeita turvalliseen käyttöön	83
Onneksi olkoon uuden automaattisen ovikoneiston hankinnan johdosta!	84
Sähkölaitteiden häiriönsieto	84
Ympäristövaatimukset	84
Tuotevastuu	84
Takuu	84
Huolto	85
Käyttötarkoitus	85
Tekniset tiedot	86
Näin ASSA ABLOY SW200 toimii	86
ASSA ABLOY SW200 Muunnelmat	87
Säännölliset turvatarkistukset	88
Yleiset lisävarusteet	91
Turvalaitteet	91
Ongelmanratkaisu	91
Huolto ja kunnossapito	92
Muut ASSA ABLOY Entrance Systems -tuotteet	92
Vaatimustenmukaisuusvakuutus	93

ASSA ABLOY sanoina ja logona on ASSA ABLOY -konsernin tavaramerkki.

© ASSA ABLOY Entrance Systems,2021

Teknisiä tietoja voidaan muuttaa ilman ennakoilmoitusta.

Ohjeita turvalliseen käyttöön



- Näiden ohjeiden noudattamatta jättäminen saattaa aiheuttaa henkilö- tai omaisuusvahinkoja.
- Tätä ovikoneistoa saa käyttää vain yhdessä yhdellä tai kahdella ovilehdellä varustetun jalankulkijoille tarkoitettun taitto- tai kääntöoven kanssa loukkaantumisvaaran vähentämiseksi.
- Älä käytä laitteistoa, jos korjausta tai säätöä tarvitaan.
- Katkaise virransyöttö puhdistamisen tai muun kunnossapidon ajaksi.
- Yli 8-vuotiaat lapset voivat käyttää ovikoneistoa, jos heidän turvallisuudestaan vastaava henkilö on kouluttanut heidät.
- Yli 8-vuotiaat lapset voivat käyttää ovikoneistoa, jos heidän turvallisuudestaan vastaava henkilö valvoo heitä.
- Fyysisesti, sensorisesti tai henkisesti rajoittuneet tai kokemattomat henkilöt voivat käyttää ovikoneistoa, jos heidän turvallisuudestaan vastaava henkilö on kouluttanut heidät.
- Lapset eivät saa puhdistaa tai huoltaa laitetta.
- Älä anna kenenkään kiivetä oven päälle tai leikkiä ovella tai sen kiinteillä tai etäohjauslaitteilla.
- Ovet voidaan avata automaattisesti tunnistimien avulla tai käsin aktivointilaitteiden avulla. Lisäksi ovet voidaan sulkea käsin.

Onneksi olkoon uuden automaattisen ovikoneiston hankinnan johdosta!

ASSA ABLOY Entrance Systems AB on kehittänyt automaattisia ovia yli 50 vuotta. Uudenaikainen tekniikka sekä huolellisesti testatut materiaalit ja osat varmistavat tuotteiden ensiluokkaisuuden. Kuten kaikki tekniset laitteet, myös tämä automaattinen ovi tarvitsee säännöllistä kunnossapitoa ja huoltoa. On tärkeää, että tunnet automaattisen oven toiminnan ja ymmärrät sen kunnossapidon tärkeyden, jotta se täyttää turvallisuusvaatimukset.

Paikallinen valtuutettu ASSA ABLOY Entrance Systems -edustajasi tuntee nämä vaatimukset, paikalliset määräykset ja ASSA ABLOY Entrance Systems -suositukset sähkökäyttöisille oville. Valtuutetun ASSA ABLOY Entrance Systems -edustajan tekemä huolto ja säädöt varmistavat, että automaattinen ovi toimii turvallisesti ja oikein.

Sähkölaitteiden häiriönsieto

Tämä laite voi luoda ja käyttää radiotaajuusenergiaa. Jos laitetta ei asenneta ja käytetä oikein, laite saattaa häiritä radio- ja televisiosignaalien vastaanottamista tai muita radiotaajuudella toimivia järjestelmiä.

Jos toista laitetta ei ole suojattu oikein, voi esiintyä häiriöitä.

Minkään järjestelmän häiriintymättömyyttä ei voida taata. Jos tämä laite häiritsee radio- tai televisiosignaalien vastaanottamista, mikä saadaan selville kytkemälle televisio tai radio päälle ja pois, käyttäjä voi yrittää poistaa häiriön jollakin seuraavista tavoista:

- Kohdista vastaanottoantenni uudestaan.
- Sijoita vastaanotin eri paikkaan.
- Siirrä vastaanotin kauemmaksi laitteesta.
- Liitä vastaanotin eri pistorasiaan siten, että ovi ja vastaanotin ovat eri piireissä.
- Tarkista, että maadoitusjohto on liitetty oikein.

Tarvittaessa käyttäjä voi kysyä neuvoa jälleenmyyjältä tai kokeneelta elektroniikka-asentajalta.

Ympäristövaatimukset

ASSA ABLOY Entrance Systems-tuotteissa on elektroniikkaa ja mahdollisesti myös akkuja, jotka sisältävät ympäristölle vaarallisia aineita. Katkaise virta ennen elektroniikan ja akun irrottamista. Varmista, että se hävitetään oikein noudattamalla viranomaisten antamia määräyksiä, kuten pakkausmateriaalikin hävitettiin.

Tuotevastuu

Laitteen omistaja tai sen huollosta vastaava on määräysten mukaan vastuussa seuraavista seikoista.

- Laitteen on toimittava oikein. Sen on suojattava terveyttä ja turvallisuutta.
- Laitteen käyttäjän, huoltajan ja tarkistajan on tunnettava laite ja sovellettavat määräykset todistetusti.
- edellyttäen että huoltopäiväkirja sekä Hyväksyntätesti käyttöpaikalla ja riskien arviointi -asiakirjat (PRA-0007) pidetään saatavilla kunnossapito- ja huoltotarkoituksia varten.
- Laitetta tarkistettaessa on tarkistettava myös hätäavautumistoiminto (jos se on olemassa).
- Palohyväksytyin ovijärjestelmän sulkemisvoiman on oltava riittävä suhteessa oven kokoon .

Takuu

ASSA ABLOY Entrance Systems antaa 12 kuukauden takuun materiaali- ja valmistusvirheiden osalta toimitushetkestä alkaen. Tämä takuu koskee vain laitteen alkuperäistä omistajaa.

ASSA ABLOY Entrance Systemstakaa, että ohjelman toiminta vastaa olennaisilta osin sen toimintojen kuvauksia, ja että ohjelma on tallennettu virheettömään tietovälineeseen.

Tämä ASSA ABLOY Entrance Systems -takuu ei koske

- ohjelman keskeytyksetöntä toimintaa ja virheettömyyttä
- järjestelmän normaalia kulumista
- sulaketta, kulumia akkuja eikä lasivaurioita
- järjestelmäpoikkeamia, jotka ovat aiheutuneet muun kuin ASSA ABLOY Entrance Systemsn tekemästä asennustyöstä
- järjestelmän muuttamista tai vandalismin aiheuttama vaurioita
- muiden kuin alkuperäisten ASSA ABLOY Entrance Systems -varaosien käyttämistä
- tarpeettomia huoltokäyntejä puutteellisen tiedonkulun vuoksi (ovi toimii huoltoteknikon saapessa paikalla, nollaus, virtakatkos)
- asiakkaan pyynnöstä tehtäviä säätöjä (sulkemis- ja avausnopeus tai tunnistustutkan kentät, ei toiminnan muuttamista, jotta ei aiheudu vaaratilanteita)
- Vesivahinko
- vaikeita sääolosuhteita
- vaurioita, joiden syihin ASSA ABLOY Entrance Systems ei voi vaikuttaa, kuten työtaistelu, tulipalo, luonnonkatastrofi, sota, liikekannallepano, kansannousu, kapina, kauppasaarto, sähkönsyötön säännösteleminen ja näiden olosuhteiden alihankkijoille aiheuttamat toimitusviivästymiset.

Huomautus:

- Takuu voi raueta, jos valmistajan huolto- ja kunnossapito-ohjeita ei noudateta.
- ASSA ABLOY Entrance Systemsin valtuutetut jälleenmyyjät voivat pidentää loppukäyttäjien takuuaikaa, mutta niillä ei ole valtuuksia antaa kattavampaa tai erilaista takuuta kuin ASSA ABLOY Entrance Systemsn takuu.
- ASSA ABLOY Entrance Systems -huoltosopimuksen tekeminen auttaa pitämään järjestelmän toimintakunnossa ja antaa huoltopyynnöille etusijan, joten katkosajat vähenevät.

Huolto

Säännölliset tarkistukset on annettava koulutetun ja valtuutetun henkilöstön tehtäväksi. Huoltovälin on täytettävä vähintään kansalliset määräykset tai niiden puuttuessa on noudettava toimialalla valitsevaa käytäntöä. Tämä on erityisen tärkeää, jos ovi on tulipalohyväksytty tai siinä on hätäavaustointinto. On suositeltavaa, että vuoden aikana tehdään vähintään kaksi huoltokäyntiä käyttöolosuhteiden mukaan, jotta investoinnin arvo säilyy ja ovi toimii turvallisesti ja luotettavasti. Myös ympäristönsuojelu tulee ottaa huomioon.

Koska oviratkaisut ovat osa sujuvaa liiketoimintaa, on erittäin tärkeää huolehtia niiden hyvästä toiminnasta. ASSA ABLOY Entrance Systems tarjoaa kunnossapito- ja uudistamisosaamista, johon voit luottaa. Automaattisten oviratkaisujemme huolto- ja uuden aikaistamispalvelut perustuvat kattavaan asiantuntemukseemme kaikenlaisista henkilökulkuovista sekä teollisuuden ovi- ja kuormaajärjestelmistä – tuotemerkeistä riippumatta. Sinua palvelevat ammattitaitoiset huoltoasentajat, joilla on vuosikymmenten kokemus huoltotoista ja asiakastyytyväisyyden varmistamisesta.

Käyttötarkoitus

Automaattinen kääntöoven ASSA ABLOY SW200-ovikoneisto tuo tullessaan automaattisen oven edut. Vain vähän energiaa kuluttavassa ASSA ABLOY SW200 -kääntöovikoneistossa on tasavirtamootori ja alennusvaihteisto. Ne käyttävät vartta, joka avaa oven. Se sopii lähes kaikkiin sisätilojen sisä- ja ulkopuolisiin kääntöoviin. Tämä käyttölaite on yleinen erilaisissa kohteissa terveydenhoitorakennuksista asuintaloihin, toimistoihin ja julkisiin rakennuksiin.

Ovi on tarkoitettu jatkuvaan, turvalliseen ja pitkäaikaiseen käyttöön Järjestelmä säätää itseään normaalien sääolosuhteiden sekä esimerkiksi pölyn ja lian aiheuttamien vähäisten kitkamuutosten mukaisesti.

Ovet avataan hätätilanteissa käsin poistumista varten.

Pinta-asennuksesta ja kunnossapidosta on lisätietoja 1009728 -asennus- ja hoito-ohjeessa Pinta-asennuksesta on lisätietoja 1009936 -julkaisussa.

Säilytä nämä ohjeet myöhempiä käyttöä varten.

Tekniset tiedot

Valmistaja:	ASSA ABLOY Entrance Systems AB
Osoite:	Lodjursgatan 10, SE-261 44 Landskrona, Sweden
Tyyppi:	ASSA ABLOY SW200
Virransyöttö:	100-240 V AC, +10 / -15 %, 50/60 Hz
Virrankulutus:	Enintään 300 W
Suojausluokka:	IP20
Äänipaine:	$L_{pa} \leq 70 \text{ dB}(A)$
Hyväksynnät:	Sertifiointilaitokset ovat myöntäneet kolmannen osapuolen hyväksynnät käyttämisen ja poistumisreitit turvallisuudelle. Lisätietoja on -vaatimustenmukaisuusvakuutuksessa.

Näin ASSA ABLOY SW200 toimii

Kääntöovikoneistossa ASSA ABLOY SW200 käytetään tasavirtamoottoria, joka on yhdistetty lähtöakseliin viistotasauspyörästöllä ja hammaskehillä. Jos valitaan seinäasennus, ovi avataan lähtöakseliin kiinnitettyllä varsijärjestelmällä.





Lähtöakseliin on yhdistetty säädettävä jousimekanismi. Kun ovi avataan, lähtöakseli jännittää jousen. Sulkeutumisjakson aikana jousen voima toimii sulkemissuuntaan. Jousen voimaa voidaan säätää, jotta voimaa on riittävästi oven sulkemiseksi, kun sitä käytetään käsin tai jos sattuu sähkökatko.

Käyttölaite aktivoidaan manuaalisesti kyynärkytkimen avulla tai käyttämällä automaattista tutkaa. Jos paikalliset määräykset sallivat, käyttölaite voidaan aktivoida myös työntämällä ovea, jos Push & Go - toiminto on käytössä.

Kun ovi aktivoidaan, se avautuu ja pysyy avoimena avoinnaoloajan verran. Kun avoinnapitoaika päättyy, ovi sulkeutuu.

ASSA ABLOY SW200 voidaan asettaa kolmeen tai neljään erilaiseen tilaan lisävarusteena hankittavan ohjelmanvalitsimen tyyppin mukaan. Lisätietoja on alla näkyvässä taulukossa.

ASSA ABLOY SW200 toimii tavallisen ovensulkimen tavoin, jos se asetetaan käsikäyttöiseen tilaan tai sähkö katkeaa.

Tehtävä	Toiminto
 POIS PÄÄLTÄ	Ovi on suljettu. Ovea ei voida avata sisä- ja ulkoimpulssilaitteilla. Ovi on lukossa, jos sähkömekaaninen lukituslaite on asennettuna. Ovi voidaan avata avainkytkimellä (jos asennettu).
 POSTUMINEN	Kulku vain sisäpuolelta. Ovi on normaalisti lukossa, jos sähkömekaaninen lukituslaite on asennettuna. Ovi voidaan avata vain sisäimpulssilaitteella ja avainkytkimellä (jos asennettu).
 AUKAINTI Normaali asento.	Ovi voidaan avata sisä- tai ulkopuolelta manuaalisesti ja/tai käyttämällä automaattisia aktivointilaitteita. Sähkömekaaninen lukko avautuu, jos se on asennettu.
 AUKI	Moottori pitää oven on pysyvästi auki.

ASSA ABLOY SW200 Muunnelmat

ASSA ABLOY SW200 -SA-152X152:	Pintakäsittely: 152 mm leveä ja 152 mm korkea
ASSA ABLOY SW200 -OHC:	OHC application in 152 mm wide x 152 mm high header

Säännölliset turvatarkistukset

Seuraava tarkistusluettelo on laadittu kansallisten ja kansainvälisten määräysten täyttämiseksi sekä toimintahäiriöiden ja henkilövahinkojen vaaran välttämiseksi.



Älä käytä ovikoneistoa, jos korjausta tai säätöä tarvitaan.

Katkaise virransyöttö ¹⁴ puhdistamisen tai muun kunnossapidon ajaksi.

Päivittäiset toimet		Jos esiintyy ongelma	
Aktivoi käyttölaite ja tarkista seuraavat kiinnitykset <i>silmämääräisesti</i> : <ul style="list-style-type: none"> • käyttölaite ¹ • varsijärjestelmä ² • kaapelit ³ • Säätykytkin ⁴ • sarnat ⁵ • ovi ja lasi ⁶ 			
Tarkista myös käyttölaite ja tarkista seuraavat kohteet <i>silmämääräisesti</i> : <ul style="list-style-type: none"> • ovilehden ja oven kehyksen terävät kulmat (jos niitä on) ⁷ • oven tiivisteiden kunto ⁸ • sormisuojaus ⁹ • ja tarkista lopuksi, että koko ovi toimii oikein sekä sulkeutuu hitaasti ja pehmeästi. 		 	
Aseta toimintatilavalitsin POIS PÄÄLTÄ -tilaan ja tarkista, että ovikoneisto sekä sähkömekaaninen lukko (jos asennettu) toimivat yhdessä moitteettomasti. Tarkista myös, että lukko ¹⁰ todella sulkee oven.			
Aktivoi manuaaliset aktivointilaitteet ¹¹ , jos ne on asennettu, ja kävele ovea kohden. Tarkista, että ovi avautuu riittävästi, kun kuljet oviaukosta. Tee sama tarkistus käyttämällä automaattisia aktivointilaitteita. ¹²			
Jos turvatunnistimet ¹³ on asennettu, tarkista ne seisomalla oven kääntymisradalla ja aktivoimalla ovikoneisto. Ovi ei saa osua sinuun avautuessaan eikä sulkeutuessaan. Jos et ole varma tunnistimen tyyppistä, ota yhteys ASSA ABLOY Entrance Systems -edustajaan.			
Hätäpoistumisovet	Lainsäädäntö edellyttää, että koulutettu huoltohenkilöstö tekee nämä testit säännöllisesti.	Aseta ohjelmanvalitsin automaattiseen asentoon. Työnnä ovea käsin poistumissuuntaan ja varmista, ettei mikään este tai toiminto estä ovea avautumasta. Varmista myös, että poistumisreitti on vapaa käytettäväksi.	
Palo-ovet		Anna oven sulkeutua impulssin jälkeen ja varmista, että mikään ei estä ovea sulkeutumasta ja lukittumasta (jos tätä vaaditaan).	

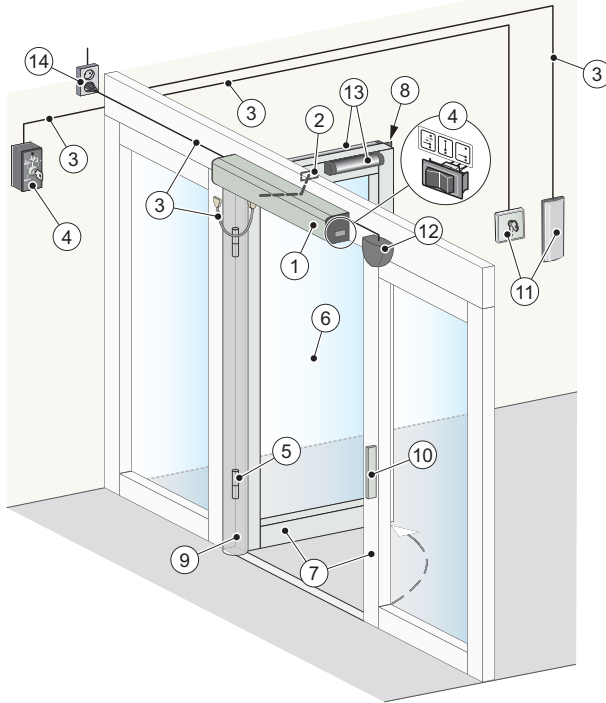


= Ryhdy tarvittaviin toimenpiteisiin.



= Ota yhteys ASSA ABLOY Entrance Systems -edustajaan. Yhteystiedot ovat viimeisellä sivulla.

TOIMINNOT JA SILMÄMÄÄRÄINEN TARKISTUS



Pintakäsittelyt

PUHDISTAMINEN


Paras tapa poistaa pöly ja lika ASSA ABLOY SW200-järjestelmästä on käyttää vettä ja sientä tai pehmeää liinaa. Mietoa pesuainetta saa käyttää. Pintakäsittely pysyy kunnossa, kun pinnat puhdistetaan vähintään kolme kertaa vuodessa. Puhdistamisesta on pidettävä kirjaa. Profiilien ja sääsuojuksen/harjojen vaurioitumisen välttämiseksi ne on imuroitava viikoittain.


- Älä altista ikkunoita, ovia tai profiileita emäksisille aineille. Alumiini ja lasi ovat herkkiä emäksisille aineille.
- Älä puhdistu painepesurilla. Koneisto, toimintatilanvalitsin ja anturi saattavat vaurioitua ja vettä saattaa päästä profiilien sisään.
- Älä käytä kiillottavia pesuaineita.
- Älä käytä hankaavia materiaaleja (esim. Scotch-brite), sillä ne saattavat aiheuttaa mekaanisia vaurioita.

MERKINNÄT



Pintakäsittelyt

Toimenpide		Jos esiintyy ongelma
Tarkista, että kaikki merkinnät ovat paikoillaan ja ehjiä. EU-direktiiveissä ja Euroopan ulkopuolisten maiden kansallisissa lainsäädännöissä edellytetään merkintöjä.		
(A)	Tuotemerkintä: Pakollinen	
(B)	Hätäpoistumisjärjestelmä: Pakollinen, jos ovesa on poistumisreitti.	
(C)	ASSA ABLOY Entrance Systems Ovitarra: Pakollinen lasin merkitsemiseksi (liikkuvien lasiosien molemmilla puolilla).	
(D)	Lapsesta huolehtiminen (oven molemmilla puolilla) Pakollinen kansallisten määräysten mukaisesti. Suositellaan, jos riskianalyysi osoittaa, että lapset käyttävät.	
(E)	Käyttölaitte soveltuu liikuntaesteisille: Suositeltava, jos voidaan asentaa (oven molemmilla puolilla).	
(F)	Liikuntaesteisille tarkoitettu aktivointi: Suositeltava, jos voidaan asentaa.	
(G)	Ei sisäänkäyntiä (yksisuuntaisen liikenteen merkki): Jos käytettävissä, pakollinen Iso-Britanniassa ja Yhdysvalloissa, ei sisälly tuotteeseen.	
(H)	Automatic door	
(J)	Pysy loitolla	
(K)	SITAC-tarra: Pakollinen Ruotsissa	

 = Ota yhteys ASSA ABLOY Entrance Systems -huoltoon. Yhteystiedot ovat viimeisellä sivulla.

Yleiset lisävarusteet

- Säätkytin ④, ks. sivu 89
- Sähkölukosta ⑩ on lisätietoja sivulla 89.
- Avainkytkimestä ⑪ on lisätietoja sivulla 89
- Kyynärkytkimestä ⑫ on lisätietoja sivulla 89.
- Tutkasta ⑬ on lisätietoja sivulla 89.
- Langattomat lähettimet (ei kuvassa)
- Kulunvalvonta (ei kuvassa)
- Oven pysäytin (ei kuvassa)

Turvallitteet

- Turvatunnistimista ⑬, on lisätietoja sivulla 89.
- Sormisuojauksesta ⑨, on lisätietoja sivulla 89.

Ongelmanratkaisu

Mikä on vikana?	Korjaustoimet
Ovi ei aukea.	
Moottori ei käynnisty.	Muuta toimintatilanvalitsimen asetusta. (Ks. sivu 86). Jos ovesa on tunnistin, varmista, että tunnistusalueella ei ole esteitä. Tarkista päävirta ja rakennuksen pääsulake.
Moottori käynnistyy, mutta ovi ei aukea.	Avaa mekaaniset lukot. Varmista, että oven alle ei ole tarttunut mitään.
Ovi ei sulkeudu.	Muuta toimintatilanvalitsimen asetusta. (Ks. sivu 86). Jos ovesa on tunnistin, varmista, että tunnistusalueella ei ole esteitä. Varmista, että oven alle ei ole tarttunut mitään.
Ovi avautuu ja sulkeutuu jatkuvasti.	Jos oveen on asennettu automaattinen aktivointilaite, tarkista, ettei 1-1,5 metrin päässä ovesta ole mitään liikkuvia kohteita.
Jos ongelma jatkuu, ota yhteys ASSA ABLOY Entrance Systems -edustajaan.	

Huolto ja kunnossapito

Valtuutetun ASSA ABLOY Entrance Systems-edustajan tekemä huolto ja säädöt varmistavat, että automaattinen ovi toimii turvallisesti ja oikein.

Pidä huoltopäiväkirja sekä Hyväksyntätesti käyttöpaikalla ja riskien arviointi -asiakirjat (PRA-0007) saatavilla. Niitä käytetään yhdessä.

Alla näkyvässä taulukossa on kuvattu osien suositeltu vaihtamisväli kuukausina osana ennakoivaa kunnossapitoa. Kysy ASSA ABLOY Entrance Systems-edustajaltasi lisätietoja palveluvalikoimasta.

Osa	Osanumero	Toimintakierrosten tai tuntien määrä			Kuluttava ilman
		<10	<100	>100	
		Vähän liikennettä	Jonkin verran liikennettä	Paljon liikennettä	
PUSH-varren huoltosarja	330000271 SI/BK	24	12	6	6
PULL-varren huoltosarja	330000272 SI/BK	24	12	6	6
Pysäytysvarsisarja	330000276	24	12	6	6
Mikrokytkinsarja	330000275	24	12	6	6
Sovitinsarja	330000270 SI/BK	24	12	6	6
Vaihteisto	331007291	60	60	60	60
Ohjausyksikkö CU-200 ilman EXU-kortteja	331008346	60	60	60	60
Akku	33738753	24	24	24	24

Muut ASSA ABLOY Entrance Systems -tuotteet

- Ovijärjestelmät
- Tasapainotetut ovet
- Ilmaverhot
- Pyöröovet
- Liukuovet
- Automaattiset ja käsikäyttöiset impulssilaitteet
- Lamellinosto-ovet
- Palvelut, kuten ennakoiva kunnossapito ja päivittäminen, hätäkorjaustyöt, huoltoneuvonta ja ovien hallinta
- Kangasnosto-ovet
- Kuormaussillat
- Kuormaustiivisteet
- Taitto-ovet
- Pikarullaovet
- Kuormaustilat

Me **ASSA ABLOY Entrance Systems AB**
Lodjursgatan 10
SE-261 44 Landskrona
Sweden

vakuutamme omalla vastuullamme, että seuraavat tuotteet
SW200

täyttää seuraavien direktiivien vaatimukset:

2014/30/EU Sähkömagneettinen yhteensopivuusdirektiivi (EMCD)

2006/42/EU Konedirektiivi (MD)

2011/65/EU tiettyjen vaarallisten aineiden käyttämisestä sähkö- ja elektroniikkalaitteissa lisäyksineen (RoHS)

Harmonisoidut eurooppalaiset standardit:

EN ISO 13849-1:2015

EN 60335-1:2012+A11:2014

EN 60335-2-103:2015

EN 61000-6-2:2005

EN 61000-6-3:2007+A1:2011

EN 16005:2012/AC:2015

Muut noudatetut standardit ja tekniset tiedot:

FCC 47 CFR Part 15 B

UL 325

IEC 60335-1 ed 5:2010

IEC 60335-2-103: ed. 2.1:2011

EN 1634-1:2008

Hyväksytty tutkimuslaitos on myöntänyt EU:ssa vaadittavan sertifikaatin (yhteystiedot ovat saatavissa pyynnöstä
ASSA ABLOY Entrance Systems AB:ltä):

SC0072-14

UL File E47833

UL File R9469

Valmistusprosessi varmistaa teknisten vaatimusten täyttämisen. Kolmas osapuoli arvioi valmistusprosessin säännöllisesti.

CE-merkintä myönnettiin ensimmäisenä laitteelle 2013-11-04.

Teknisen tiedoston laadinta:

Anders Forslind

ASSA ABLOY Entrance Systems AB

Lodjursgatan 10

SE-261 44 Landskrona

Sweden

Paikka
Landskrona

Päiväys
2021-04-16

Allekirjoitus
Klas Hagelin

Tehtävä
Global Quality Manager



ASSA ABLOY Entrance Systems on johtava automatisoitujen oviratkaisujen toimittaja, joka takaa sujuvan tavaroiden ja ihmisten virran. Besam-, Crawford-, Albany- ja Megadoor-tuotemerkkien pitkäaikaisen menestyksen perusteella tarjoamme ratkaisujamme ASSA ABLOY -tuotemerkillä. Tuotteidemme ja palveluittemme tarkoitus on tarjota loppukäyttäjille turvallisuutta, varmuutta, mukavuutta ja kestävää kehitystä. ASSA ABLOY Entrance Systems kuuluu ASSA ABLOY -konserniin.

assaabloyentrance.fi



ASSA ABLOY Entrance Systems

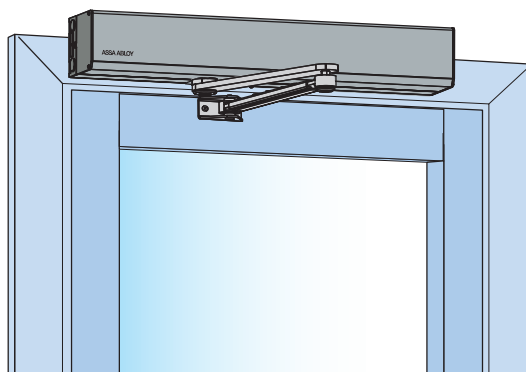
Puh: 010 386 9000
asiakaspalvelu.fi@assaabloy.com
assaabloyentrance.fi

Opérateur de portes battantes ASSA ABLOY SW200

Manuel d'utilisation

Instructions d'origine

FR



CONTENTS

Instructions pour un fonctionnement sûr	97
Félicitations pour votre nouvelle porte	99
Interférences avec du matériel électronique	99
Exigences en matière d'environnement	99
Responsabilités liées au produit	99
Garantie	100
Maintenance par l'utilisateur	100
Utilisation prévue	101
Spécifications techniques	101
Comment fonctionne ASSA ABLOY SW200	102
ASSA ABLOY Variantes SW200	102
Contrôles réguliers des sécurités	103
Accessoires	107
Accessoires de sécurité	107
Dépannage	107
Service/Maintenance	108
Les autres produits d'ASSA ABLOY Entrance Systems	108
Déclaration de Conformité	109

ASSA ABLOY en tant que mots et logos, sont des exemples de marques commerciales appartenant au groupe ASSA ABLOY.

© ASSA ABLOY Entrance Systems,2021

Les caractéristiques techniques sont susceptibles d'être modifiées sans préavis.

Instructions pour un fonctionnement sûr



- Le non respect des informations contenues dans ce manuel peut entraîner des blessures ou des dommages à l'équipement.
- Pour réduire le risque de blessures aux personnes, utiliser cet opérateur uniquement avec des portes battantes ou pliantes, simples ou doubles.
- Ne pas utiliser l'équipement si des réparations ou des réglages s'avèrent nécessaires.
- Débrancher l'alimentation pendant les opérations de nettoyage ou autres opérations de maintenance.
- L'opérateur peut être utilisé par des enfants de plus de 8 ans, s'ils ont reçu des instructions d'une personne en charge de leur sécurité.
- L'opérateur peut être utilisé par des enfants de 8 ans ou moins à condition qu'ils soient surveillés par une personne chargée de leur sécurité.
- L'opérateur peut être utilisé par des personnes disposant de capacités physiques, sensorielles ou mentales réduites, si elles ont reçu des instructions d'une personne en charge de leur sécurité.
- Le nettoyage et la maintenance utilisateur ne doivent pas être réalisés par des enfants.
- Ne laissez pas qui que ce soit grimper sur la porte ou jouer avec elle ou avec les commandes fixes/à distance.

- La porte peut être actionnée automatiquement par le biais de détecteurs ou manuellement, grâce à des activateurs. Elle peut aussi servir de ferme-porte.

Félicitations pour votre nouvelle porte

ASSA ABLOY Entrance Systems ABconçoit des portes automatiques depuis plus de 50 ans. Une technologie de pointe associée à des matériaux et des composants soigneusement testés nous permet de vous proposer un produit de première qualité.

Comme pour tous les autres produits techniques, votre porte automatique a besoin de maintenance périodique et d'entretien. Il est essentiel pour vous de connaître votre porte automatique (système) et d'être conscient de l'importance d'en assurer la conformité aux normes de sécurité applicables. Votre représentant ASSA ABLOY Entrance Systems local agréé connaît ces normes, ainsi que tous les codes locaux applicables et les recommandationsASSA ABLOY Entrance Systems de Besam à l'égard des portes automatiques pour piétons. L'entretien et les réglages réalisés par votre représentant ASSA ABLOY Entrance Systems assureront un fonctionnement sûr et adéquat de votre porte automatique.

Interférences avec du matériel électronique

Les équipements peuvent utiliser et générer des émissions radio. Dans le cas où un matériel n'est pas installé ou utilisé selon des règles précises, il peut causer des interférences sur les réceptions de radio, de télévision ou autres systèmes à fréquences radio.

Si un autre équipement ne respecte pas pleinement les exigences d'immunité, des interférences peuvent se produire.

Il n'y a jamais de garantie qu'une installation particulière ne soit pas sensible à une interférence. Dans le cas où cet équipement viendrait à causer une interférence sur un poste de radio ou de télévision, laquelle serait clairement établie notamment en mettant l'équipement hors tension puis sous tension, l'utilisateur est encouragé à essayer de corriger le réglage en appliquant l'une après l'autre les mesures suivantes :

- Modifier l'orientation de l'antenne.
- Modifier l'emplacement du récepteur par rapport à l'équipement.
- Eloigner le récepteur de l'équipement.
- Brancher le récepteur à d'autres endroits pour que l'équipement et le récepteur soient sur différents circuits de branchement.
- Vérifier que le câble de terre est raccordé.

Si nécessaire, l'utilisateur consultera un technicien expérimenté en électronique pour d'autres suggestions.

Exigences en matière d'environnement

ASSA ABLOY Entrance Systemsles produits sont équipés de composants électroniques et peuvent également être équipés de batteries contenant des matériaux dangereux pour l'environnement. Débranchez l'alimentation avant de déposer les composants électronique et la batterie et veillez à ce qu'elle soit mise au rebut conformément aux réglementations locales (méthode et lieu) comme cela a été fait avec le matériel d'emballage.

Responsabilités liées au produit

Les réglementations prescrivent les responsabilités suivantes pour toute personne détenant ou manipulant ces équipements :

- l'équipement doit fonctionner correctement pour assurer une protection suffisante en matière de sécurité et de santé ;
- l'équipement doit être mis en fonctionnement et régulièrement entretenu et inspecté par une personne ayant la connaissance de l'équipement et des réglementations applicables ;
- que les documents « Carnet d'entretien » et « Test d'acceptation de site et évaluation des risques » (PRA-0007) sont maintenus à disposition pour la maintenance et les entretiens

- l'inspection doit couvrir la fonction d'ouverture d'urgence (le cas échéant) ;
- la force de fermeture doit être adaptée à la taille de la porte sur les systèmes porte coupe-feu (le cas échéant).

Garantie

ASSA ABLOY Entrance Systems garantit l'absence de défauts de matériau ou de fabrication sur ses produits utilisés et entretenus comme prévu pendant une période de garantie de 12 mois, à compter de la date de livraison. Cette garantie ne s'applique qu'à l'acheteur initial de l'équipement.

ASSA ABLOY Entrance Systems garantit que le logiciel fonctionnera conformément à ses descriptions fonctionnelles et qu'il a été enregistré sur un support non défectueux.

La garantie ASSA ABLOY Entrance Systems ne s'applique pas à

- au fait que le logiciel fonctionnera sans erreurs ou interruption.
- à l'usure générale du système ;
- aux fusibles, aux batteries jetables et à l'endommagement des vitres ;
- Problèmes du système causés par un autre installateur que ;ASSA ABLOY Entrance Systems
- à un système altéré ou endommagé par des actes de vandalisme ;
- À un système ayant également été équipé de pièces et/ou pièces de rechange qui ASSA ABLOY Entrance Systems ne sont pas de la marque Besam
- aux visites non nécessaires découlant d'une mauvaise communication avec le client (porte en fonctionnement lorsque le technicien arrive, réinitialisation, interruption de l'alimentation) ;
- Réglages (vitesse de fermeture et d'ouverture et zones de détection des radars) à la demande des clients (hors ajustements opérationnels susceptibles de créer un danger)
- aux dégâts des eaux ;
- aux conditions météorologiques anormales ;
- À tout dommage causé de façon directe ou indirecte, par des circonstances échappant au contrôle de la société concernée au sein de ASSA ABLOY Entrance Systems, telles qu'un différend, un incendie, une catastrophe naturelle, une importante mobilisation militaire, une insurrection, une réquisition, une saisie, un embargo, des restrictions de l'utilisation de l'alimentation, des défauts ou des retards de livraison par les sous-traitants dus à de telles circonstances.

Veillez noter que :

- Le non respect des recommandations des fabricants en matière d'entretien et de maintenance peut annuler la garantie.
- ASSA ABLOY Entrance Systems Les revendeurs agréés peuvent appliquer cette garantie aux utilisateurs finaux uniquement mais ne sont pas autorisés à appliquer une garantie supérieure ou différente au nom de ASSA ABLOY Entrance Systems.
- Un contrat d'entretien avec ASSA ABLOY Entrance Systems assurera la disponibilité d'un système entièrement opérationnel et accordera la priorité lors des appels, réduisant ainsi les périodes d'indisponibilité de l'équipement.

Maintenance par l'utilisateur

Des inspections doivent être réalisées régulièrement par une personne formée et qualifiée. La fréquence de ces inspections devrait respecter les réglementations nationales (ou la norme en vigueur dans le secteur en l'absence de réglementations nationales). Cela revêt une importance particulière lorsque l'installation concerne une porte coupe-feu ou une porte en issue de secours. Pour prolonger la durée de vie de votre investissement et garantir un fonctionnement sûr et fiable de la porte, nous recommandons un minimum de 2 visites par an, voire plus, en fonction des conditions d'utilisation et d'exploitation. Les aspects environnementaux doivent également être pris en compte.

Vos entrées faisant partie de votre flux commercial, vous avez toutes les raisons de les maintenir en bon état de fonctionnement. ASSA ABLOY Entrance Systems vous offre une expertise en maintenance

et modernisation sur laquelle vous pouvez vous appuyer. Nos programmes de maintenance et nos services de modernisation pour solutions d'automatisation d'entrées reposent sur une solide connaissance de tous les types de portes piétonnes et industrielles et de systèmes d'accostage, quelle qu'en soit la marque. Nous mettons à votre disposition une équipe dédiée de techniciens experts, dont le savoir-faire repose sur plusieurs années d'interventions de maintenance – et la satisfaction de nombreux clients.

Utilisation prévue

Le ASSA ABLOY SW200 est un opérateur de portes battantes automatiques conçu pour simplifier la vie de toute personne pouvant bénéficier de portes automatiques. L'opérateur de portes battantes ASSA ABLOY SW200 à faible énergie utilise un moteur à courant continu et un réducteur pour actionner un bras d'entraînement qui ouvre la porte. Il doit être installé à l'intérieur et convient à presque tous les types de portes battantes intérieures et extérieures. Largement répandu, on trouve cet opérateur dans des installations résidentielles ou dédiées aux soins de santé, des bâtiments publics ou des bureaux.

La porte, conçue pour assurer un fonctionnement constant, une sécurité élevée et une durée de vie optimale. Le système s'adapte automatiquement aux effets dus aux variations météorologiques normales et aux variations mineures de frottement causées par exemple par la poussière et la saleté. Pour une sortie dans les cas d'urgence, la porte est ouverte manuellement.

Pour en savoir plus sur l'installation et la maintenance, voir le Manuel d'installation et d'entretien 1009728 pour le montage en applique et 1009936 pour l'installation invisible suspendue.

Conservez ces instructions afin de les consulter à l'avenir.

Spécifications techniques

Fabricant :	ASSA ABLOY Entrance Systems AB
Adresse :	Lodjursgatan 10, SE-261 44 Landskrona, Sweden
Type :	ASSA ABLOY SW200
Mains power supply:	100-240 V CA +10/-15 %, 50/60 Hz
Puissance absorbée :	300 W maxi.
Indice de protection :	IP20
Pression sonore :	$L_{pa} \leq 70 \text{ dB}(A)$
Approbations :	Des organismes de certification ont validé la sûreté d'utilisation, voir Déclaration de conformité.

Comment fonctionne ASSA ABLOY SW200

L'opérateur de porte battante ASSA ABLOY SW200 utilise un moteur CC connecté à l'arbre de sortie par une association d'un engrenage conique sans fin et d'engrenages droits. Le système de bras qui est connecté à l'arbre de sortie, permet de procéder à l'ouverture de la porte sur les systèmes montés en applique.





Il y a également un mécanisme de ressort ajustable connecté à l'arbre de sortie. Pendant l'ouverture de la porte, le ressort d'horloge est tendu par la rotation de l'arbre de sortie. Pendant le cycle de fermeture, la force de ressort accumulée agit dans la direction de fermeture. La force du ressort peut être ajustée de sorte qu'il y ait une force adéquate pour fermer la porte quand elle est actionnée manuellement ou en cas de panne de courant.

Pour activer l'opérateur, vous pouvez utiliser une télécommande manuelle (contact à coude) ou une télécommande automatique (radar). Il est également possible, lorsque les normes le permettent, d'activer l'opérateur en poussant tout simplement la porte, quand la fonction « Push and Go » est sélectionnée.

Une fois la porte activée, elle s'ouvrira et restera ouverte conformément à la temporisation définie. Lorsque la temporisation s'est écoulée, la porte se referme.

Le ASSA ABLOY SW200 peut être configuré selon trois ou quatre modes différents en fonction du type de sélecteur de programme en option, voir tableau ci-dessous.

En mode totalement manuel (ou en cas de coupure de courant), le ASSA ABLOY SW200 agit comme un ferme-porte normal.

Poste	Fonction
 OFF	La porte est fermée. La porte ne s'ouvre pas par les télécommandes intérieures et extérieures. Si un dispositif de verrouillage électromécanique a été installé, la porte est verrouillée. La porte peut s'ouvrir par un contact à clé (si installé).
 SORTIE SEULE	Seul le passage de l'intérieur vers l'extérieur est autorisé. Si un dispositif de verrouillage électromécanique a été installé, la porte est normalement verrouillée. La porte ne peut s'ouvrir que par une télécommande intérieure ou un contact à clé (si installé).
 AUTO Position normale	La porte peut être ouverte à l'aide de télécommandes manuelle et/ou automatique intérieures et extérieures. La gâche électrique, si installée, est ouverte.
 OUVERTE	La porte est maintenue ouverte en permanence par le moteur.

ASSA ABLOY Variantes SW200

ASSA ABLOY SW200 -SA-152X152 :	Montage en applique dans un linteau de 152 mm de large x 152 mm de haut
ASSA ABLOY SW200 -OHC :	Montage OHC dans un linteau de 152 mm de large x 152 mm de haut











Contrôles réguliers des sécurités

Pour contribuer au respect des exigences nationales et internationales et éviter tout dysfonctionnement et risque de blessures, nous avons établi la liste de vérification suivante.



Ne pas utiliser l'opérateur si des réparations ou réglages sont nécessaires.

Débrancher l'alimentation ⁽¹⁴⁾ pendant les opérations de nettoyage ou autres opérations de maintenance.

Action quotidienne		En cas de problème	
Activer votre opérateur et vérifier <i>visuellement</i> , la fixation et tout dommage de <ul style="list-style-type: none"> • opérateur^① • bras d'entraînement^② • du câblage^③ • Interrupteur de commande^④ • des charnières^⑤ • de la porte et de la vitre^⑥ 			
Inspecter également l'opérateur et vérifier <i>visuellement</i> <ul style="list-style-type: none"> • les bords tranchants du ventail et de l'encadrement de porte (le cas échéant)^⑦ • l'état des joints d'étanchéité de la porte^⑧ • la protection anti pince-doigt^⑨ • et, pour finir, vérifier que l'ensemble de la porte fonctionne correctement et se referme lentement et doucement 		 	
Régler le sélecteur de mode (ARRÊT) OFF et vérifier que l'opérateur et le verrouillage électromécanique (le cas échéant) fonctionnent ensemble. Vérifier également que le ^⑩ verrouillage sécurise bien la porte.			
Activer les télécommandes manuelles ^⑪ s'il y en a et passer à travers la porte. Vérifier que la porte s'est correctement ouverte lors du passage dans un sens et dans l'autre. Ensuite, faire de même avec les télécommandes automatiques ^⑫ .			
Vérifier les détecteurs de sécurité ^⑬ si présents, en se positionnant sur le passage de la porte battante et en activant l'opérateur. La porte ne doit pas heurter la personne qui la traverse ni à l'ouverture ni à la fermeture. En cas de doute sur le type de détecteur, contacter votre représentant ASSA ABLOY Entrance Systems.			
Porte en issue de secours	De façon réglementaire, ces tests doivent être réalisés régulièrement par un personnel qualifié.	Régler le sélecteur de programme sur le mode AUTO. Pousser la porte manuellement dans la direction de la sortie et s'assurer qu'aucun objet ou fonction n'entrave l'ouverture de la porte. S'assurer également que la voie de sortie est libre.	 
Portes coupe-feu		Laisser la porte se fermer après une impulsion en s'assurant que rien n'entrave la fermeture de la porte et le verrouillage (si les réglementations l'exigent).	 



= Prendre les mesures appropriées.



= Contacter votre représentant ASSA ABLOY Entrance Systems. Pour vos contacts, voir dernière page.

FONCTIONNEMENT ET INSPECTION VISUELLE

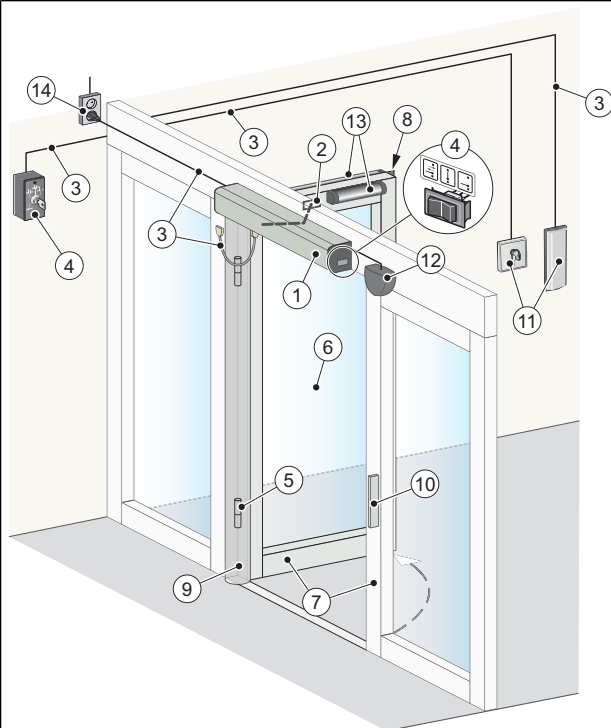


Illustration de montage en surface

NETTOYAGE

Pour enlever la poussière et les saletés du ASSA ABLOY SW200, nous recommandons d'utiliser de l'eau sur un chiffon doux ou une éponge.

Un détergent doux peut être utilisé. Pour préserver la qualité du traitement de surface, les surfaces doivent être nettoyées une fois tous les quatre mois. Il convient de noter la date de chaque nettoyage. Afin d'éviter d'abîmer les profilés, les brosses/le calfeutrement doivent être nettoyés à l'aspirateur une fois par semaine

- Ne pas exposer vitrages, vantaux ou profils aux produits alcalins. L'aluminium et le verre sont sensibles aux produits alcalins.
- Ne pas utiliser d'eau à haute pression pour le nettoyage. L'opérateur, le sélecteur de mode et les capteurs risquent d'être endommagés et l'eau risque de pénétrer dans les profils.
- Ne pas utiliser de détergent abrasif.
- Ne pas frotter avec des produits abrasifs, cela cause des détériorations mécaniques.

SIGNALISATION



Illustration de montage en surface

Action		En cas de problème
Vérifier que la signalisation requise est en place et intacte. « Obligatoire » indique que la signalisation est imposée par des directives européennes ou par une législation nationale équivalente hors Union européenne.		
(A)	Etiquette du produit : Obligatoire	
(B)	Evacuation d'urgence : obligatoire, en cas d'approbation pour une issue de secours.	
(C)	ASSA ABLOY Entrance Systems Autocollant de porte : obligatoire, si applicable, pour signaler la présence de verre (apposé à toutes les sections vitrées mobiles).	
(D)	Supervision des enfants (apposé des deux côtés de la porte) : Obligatoire conformément à la réglementation nationale. Recommandé, si l'analyse des risques montre une utilisation par des enfants.	
(E)	Opérateur conçu pour des personnes handicapées : recommandé, si applicable (apposé des deux côtés de la porte)	
(F)	Activation par des personnes handicapées : Recommandé, le cas échéant	
(G)	Pas d'entrée, identifiant une circulation à sens unique : Obligatoire au Royaume-Uni et aux États-Unis, si applicable, non inclus dans le produit.	
(H)	Automatic door	
(J)	Se tenir à l'écart	
(K)	Etiquette SITAC : Obligatoire en Suède	



= Contacter votre représentant service ASSA ABLOY Entrance Systems. Pour vos contacts, voir dernière page.

Accessoires

- Interrupteur de commande ④, voir page 104
- Verrouillage électrique ⑩, voir page 104
- Contact à clé ⑪, voir page 104
- Contact à coude ⑪, voir page 104
- Radar ⑫, voir page 104
- Télécommande sans fil (non illustrée)
- Contrôle d'accès (non illustré)
- Butée de porte (non illustrée)

Accessoires de sécurité

- Détecteurs de sécurité ⑬, voir page 104.
- Protection des doigts ⑨, voir page 104.

Dépannage

Qu'est-ce qui ne va pas ?	Solutions
La porte ne s'ouvre pas.	
Le moteur ne démarre pas	Changer le réglage du sélecteur de mode. (Voir page 102). Vérifier qu'aucun objet ne se trouve dans la zone de détection, si un détecteur est installé. Vérifier l'alimentation secteur et le fusible dans le bâtiment.
Le moteur démarre mais la ou les portes ne s'ouvrent pas	Déverrouiller les serrures mécaniques. Contrôler que rien n'est coincé sous la porte.
La porte ne se ferme pas.	Changer le réglage du sélecteur de mode. (Voir page 102). Vérifier qu'aucun objet ne se trouve dans la zone de détection, si un détecteur est installé. Contrôler que rien n'est coincé sous la porte.
La porte s'ouvre et se re-ferme constamment	S'assurer qu'il n'y a pas d'objets en mouvement à une distance comprise entre 1 et 1,5 m de la porte si une télécommande automatique est installée.
Si le problème persiste, contactez votre représentant ASSA ABLOY Entrance Systems.	

Service/Maintenance

L'entretien et les réglages réalisés par votre ASSA ABLOY Entrance Systems représentant assureront un fonctionnement sûr et adéquat de votre porte automatique.

N'oubliez pas que les documents « Carnet d'entretien » et « Test d'acceptation de site et évaluation des risques » (PRA-0007) sont maintenus à disposition. Ils sont utilisés ensemble.

Le tableau ci-dessous montre l'intervalle recommandé, en mois, pour remplacer les pièces pendant la maintenance préventive. Adressez-vous à votre représentant ASSA ABLOY Entrance Systems pour en savoir plus sur nos offres de service.

Pièce	Référence	Cycles/heures en fonctionnement			Environnement Environnement
		<10	<100	>100	
		Trafic faible	Trafic intermédiaire	Trafic intense	
Kit d'entretien du bras PUSH	330000271 SI/BK	24	12	6	6
Kit d'entretien de bras PULL	330000272 SI/BK	24	12	6	6
Kit d'arbre de butée	330000276	24	12	6	6
Kit contact de position	330000275	24	12	6	6
Kit d'adaptateur	330000270 SI/BK	24	12	6	6
Unité de transmission	331007291	60	60	60	60
Carte de commande CU-200 avec cartes EXU	331008346	60	60	60	60
Batterie	33738753	24	24	24	24

Les autres produits d'ASSA ABLOY Entrance Systems

- Systèmes de porte
- Portes éclipables
- Rideaux d'air
- Portes tournantes
- Portes coulissantes
- Télécommandes automatiques et manuelles
- Portes sectionnelles
- Portes métal-textiles à relevage vertical
- Niveleurs de quai
- Sas de quai
- Portes pliantes
- Portes rapides
- Tunnels de chargement
- Maintenances telles que maintenance préventive et programmes de mise à niveau, réparations urgentes, conseil en maintenance et gestion de porte.

Nous **ASSA ABLOY Entrance Systems AB**
Lodjursgatan 10
SE-261 44 Landskrona
Sweden

déclarons, sous notre seule responsabilité que les équipements de type:
SW200

sont conformes aux directives suivantes :

2014/30/CE Directive de compatibilité électromagnétique (CEM)

2006/42/CE Directive machines (DM)

2011/65/UE relative à la limitation de l'utilisation de certaines substances dangereuses dans les équipements électriques et électroniques ainsi que les amendements applicables (RoHS)

Normes européennes harmonisées appliquées:

EN ISO 13849-1:2015

EN 60335-1:2012+A11:2014

EN 60335-2-103:2015

EN 61000-6-2:2005

EN 61000-6-3:2007+A1:2011

EN 16005:2012/AC:2015

Autres normes ou spécifications techniques appliquées:

FCC 47 CFR Part 15 B

UL 325

IEC 60335-1 ed 5:2010

IEC 60335-2-103: ed. 2.1:2011

EN 1634-1:2008

Certificat émis par un organisme notifié ou compétent (pour obtenir l'adresse complète, contactez ASSA ABLOY Entrance Systems AB) pour les équipements :

SC0072-14

UL File E47833

UL File R9469

Le processus de fabrication garantit la conformité des équipements aux spécifications techniques. Le procédé de fabrication est régulièrement évalué par une tierce partie.

Le marquage CE a été appliqué en 2013-11-04.

Compilation du fichier technique :

Anders Forslind

ASSA ABLOY Entrance Systems AB

Lodjursgatan 10

SE-261 44 Landskrona

Sweden

à
Landskrona

Date
2021-04-16

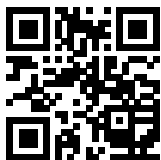
Signature
Klas Hagelin

Poste
Global Quality Manager



ASSA ABLOY Entrance Systems est l'un des principaux fournisseurs de solutions d'entrée automatisées autorisant la circulation efficace des véhicules et marchandises. En nous appuyant sur le succès à long terme des marques Besam, Crawford, Albany, Megadoor et Nergeco, nous proposons des solutions sous la marque ASSA ABLOY. Nos produits et services sont conçus pour satisfaire les besoins des utilisateurs finaux en termes de sécurité, de durabilité et de confort. ASSA ABLOY Entrance Systems est une division d'ASSA ABLOY.

assaabloyentrance.fr



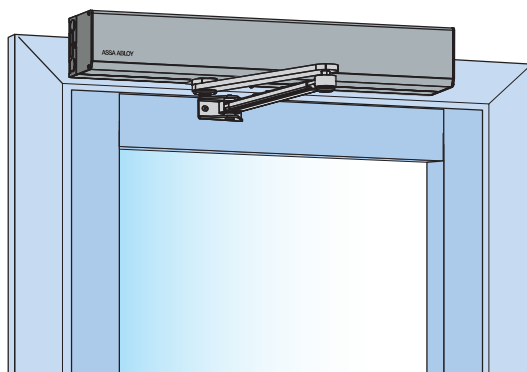
ASSA ABLOY Entrance Systems

Tél. : 0 820 25 00 25
info.fr.aaes@assaabloy.com
assaabloyentrance.fr

Pokretač mimokretnih vrata ASSA ABLOY SW200

Korisnički priručnik

Prijevod originalnih uputa



HR

SADRŽAJ

Upute za siguran rad	113
Čestitke na vašim novim automatskim vratima!	115
Smetnje u prijemu kod elektroničke opreme	115
Ekološki zahtjevi	115
Odgovornost proizvođača	115
Jamstvo	115
Servis	116
Predviđena uporaba	116
Tehničke pojedinosti	117
Kako radi ASSA ABLOY SW200	118
ASSA ABLOY SW200 varijante	118
Redovne provjere sigurnosti	119
Glavni dodaci	122
Sigurnosni dodaci	122
Otklanjanje grešaka	122
Servisiranje/održavanje	123
Više proizvoda ASSA ABLOY Entrance Systems	123
Izjava o sukladnosti	124

ASSA ABLOY kao riječ i logo zaštitni su znakovi u vlasništvu ASSA ABLOY Grupe.

© ASSA ABLOY Entrance Systems, 2021

Tehnički podatci podložni su promjeni bez prethodne obavijesti.

Upute za siguran rad



- Nepridržavanje informacija u ovom priručniku može dovesti do ozljeda ili oštećenja uređaja.
- Kako bi smanjili rizik od ozljeda - koristite ovaj upravljač isključivo s jednokrlnim ili dvokrlnim mimokretnim ili sklopivim vratima.
- Opremu nemojte upotrebljavati ako ju je neophodno popraviti ili podesiti.
- Odvojite strujno napajanje kada je potrebno obaviti čišćenje ili neke druge radove održavanja.
- Pokretač smiju upotrebljavati djeca starija od 8 godina, ako ih je osoba zadužena za njihovu sigurnost uputila u pravilan način rada.
- Pokretač smiju upotrebljavati djeca u dobi od 8 godina ili mlađa ako ih nadzire osoba zadužena za njihovu sigurnost.
- Pokretač smiju upotrebljavati osobe smanjenih fizičkih, senzornih ili mentalnih sposobnosti ako ih je osoba zadužena za njihovu sigurnost uputila u pravilan način rada.
- Djeca ne bi smjela provoditi čišćenje niti radove održavanja koji su u nadležnosti korisnika.
- Ne dopuštajte nikome da igra s vratima ili postavljenim upravljačkim jedinicama, odn. da se penje na njih.

- Vrata se pomoću senzora mogu pokretati automatski ili ručno pomoću aktivatora. On se također može koristiti ručno kao zatvarač vrata.

Čestitke na vašim novim automatskim vratima!

ASSA ABLOY Entrance Systems AB bavi se proizvodnjom automatskih vrata više od 50 godina. Najsuvremenija tehnologija i pažljivo ispitani materijali i dijelovi nude vam vrhunski proizvod.

Kao i svim drugim tehničkim proizvodima, vašim automatskim vratima periodično je potrebno održavanje i servis. Neophodno je da poznajete svoja automatska vrata (sustav) i da ste svjesni važnosti održavanja prema dotičnim standardima sigurnosti.

Vaš lokalni ASSA ABLOY Entrance Systems-ovlašteni predstavnik upoznat je s ovim standardima, kao i sa svim primjenjivim lokalnim kodovima i ASSA ABLOY Entrance Systems preporukama za strojno napajana pješačka vrata. Servis i podešavanja koje izvodi vaš ASSA ABLOY Entrance Systems-ovlašteni predstavnik osigurat će siguran i pravilan rad vaše jedinice automatskih vrata.

Smetnje u prijemu kod elektroničke opreme

Uređaj može proizvoditi i koristiti energiju radio valova te ako se ne postavi i koristi pravilno može izazvati smetnje u prijemu kod radija i televizora ili drugih sustava sličnog tipa.

Ako druga oprema nije u potpunosti u skladu s odredbama o elektromagnetskoj osjetljivosti, može doći do smetnji.

Nije sasvim isključeno da se smetnje neće pojaviti poslije postavljanja. Ako ovaj uređaj prouzrokuje smetnje u prijemu kod radija ili televizora, što se može utvrditi isključivanjem i ponovnim uključivanjem, korisniku savjetujemo da pokuša ukloniti smetnje putem jedne ili nekih od sljedećih mjera:

- Okretanjem antene prijemnika.
- Premještanjem prijemnika u odnosu na uređaj.
- Micanjem prijemnika dalje od uređaja.
- Uključivanjem prijemnika u drugu utičnicu tako da su uređaj i prijemnik priključeni na različite električne sklopove.
- Provjerom povezanosti zaštitnog uzemljenja (PE).

Ako je potrebno, korisnik bi trebao potražiti dodatni savjet dobavljača ili iskusnog elektrotehničara.

Ekološki zahtjevi

ASSA ABLOY Entrance Systems proizvodi opremljeni su elektronikom i mogu isto tako biti opremljeni baterijama koje sadrže materijale koji su pogubni za okoliš. Prije vađenja elektronike i baterija, isključite napajanje i pobrinite se da se propisno odlože u otpad prema lokalnim propisima (način i mjesto) kao što ste to napravili s ambalažnim materijalom.

Odgovornost proizvođača

Sukladno propisima, vlasnik ili nadglednik opreme ima sljedeće odgovornosti

- da oprema radi propisno, tako da pruža dovoljnu zaštitu u vezi sa sigurnošću i zdravljem
- da se oprema koristi i redovno održava, da je pregledava i servisira netko s potvrđenom kompetencijom i prema prikladnim propisima
- da se dokumenti "Servisni dnevnik" i "Provjera preuzimanja na licu mjesta i procjena rizika" (PRA-0007) čuvaju dostupnima za dokumentiranje održavanja i servisiranja
- da pregledi obuhvaćaju i provjeru funkcije otvaranja u hitnim slučajevima (kada je to primjenjivo)
- tako da sila zatvaranja bude odgovarajuća veličini vratana vatrootpornim vratnim sustavima (ako je primjenjivo)

Jamstvo

ASSA ABLOY Entrance Systems jamči da su njegovi proizvodi bez grešaka u materijalu i u izradi u sklopu predviđenog korištenja i usluge unutar jamstvenog razdoblja od 12 mjeseci od trenutka dostave. Jamstvo se odnosi isključivo na izvornog kupca opreme.

ASSA ABLOY Entrance Systems jamči da će programska podrška raditi znatno u skladu sa svojim funkcionalnim opisima i da je zapisana na ispravnome mediju.

Jamstvo ASSA ABLOY Entrance Systems se ne odnosi na

- to da softver neće imati grešaka i da će raditi bez prekida
- općenito trošenje sustava
- oštećenja osigurača, jednokratnih baterija i stakla
- Greške sustava koje je uzrokovao instalater izuzev ASSA ABLOY Entrance Systems
- sustav koji je promijenjen ili oštećen vandalizmom ili zlouporabom
- Sustav koji je dodatno opremljen neASSA ABLOY Entrance Systems izvornim markiranim dijelovima i/ili rezervnim dijelovima
- nepotrebne posjete zbog loše komunikacije s klijentom (ako vrata rade kada naš tehničar stigne, resetiranje, prekinut dotok energije)
- podešavanja (brzina zatvaranja i otvaranja i detekcijski radari) prema zahtjevima korisnika (izuzev podešavanja u radu koja mogu izazvati opasnost)
- štete nanesene vodom
- nepovoljne vremenske uvjete
- Bilo kakva šteta uzrokovana, izravno ili neizravno, okolnostima koje su izvan kontrole primjenjive tvrtke unutar ASSA ABLOY Entrance Systems, poput industrijskog spora, vatre, prirodne katastrofe, rata, opsežne vojne mobilizacije, ustanka, rekvizicije, zapljene, embarga, ograničenja u korištenju napajanja i greške ili odgode dostave podugovaratelja koje su uzrokovale takve okolnosti

Molimo vas da uzmete u obzir:

- Nepridržavanje preporuka proizvođača o brizi i održavanju može poništiti jamstvo.
- ASSA ABLOY Entrance Systems-ovlašteni preprodavači produžiti će ovo jamstvo samo za krajnje korisnike, ali nemaju ovlasti omogućiti veće ili drukčije jamstvo u ime ASSA ABLOY Entrance Systems.
- Ugovor o usluzi s ASSA ABLOY Entrance Systems osigurat će dostupnost u potpunosti funkcionalnog sustava i dat će prioritet tijekom pozivanja te na taj način minimizirati vrijeme tijekom kojeg se oprema ne može koristiti.

Servis

Inspekcije treba redovito obavljati osposobljeno i kvalificirano osoblje. Učestalost tih provjera treba biti u skladu s nacionalnim propisima (ili u skladu s industrijskim standardnom ako nema nacionalnih propisa). To je posebno važno kada se montaža odnosi na protupožarna vrata ili vrata s funkcijom otvaranja u slučaju nužde. Kako bi se produljio životni vijek vaše investicije i osigurao pouzdan rad vrata, preporučujemo barem 2 provjere godišnje ili češće, ovisno o uvjetima upotrebe i rada. U obzir bi se također trebali uzeti i aspekti zaštite okoliša.

S obzirom da su vaši ulazi dio vašeg poslovnog toka, iznimno je važno da jako dobro funkcioniraju. ASSA ABLOY Entrance Systems vam nudi stručnost u održavanju i modernizaciji na koje se možete osloniti. Naš program radova održavanja i naše usluge modernizacije za automatizaciju ulaza poduprte su širokim stručnim znanjem za sve tipove pješačkih i industrijskih vrata i platformi, bez obzira na njihove marke. Na raspolaganju vam stoji tim posvećenih stručnjaka koji se već desetljećima dokazao u radovima održavanja i servisiranju, a to potvrđuju i zadovoljni klijenti.

Predviđena uporaba

ASSA ABLOY SW200 je pokretač za automatska mimokretna vrata koji je razvijen s ciljem olakšanja svakodnevice svake osobe koja može imati koristi od automatskih vrata. ASSA ABLOY SW200 je energetski ekonomičan pokretač s DC motorom i sustavom za redukciju prijenosa kako bi pokretali sustav ruku koji otvaraju vrata. Treba se instalirati u zatvorenom prostoru gdje je prikladan za skoro sve tipove vanjskih i unutarnjih mimokretnih vrata. Primjena ovog vrlo rasprostranjenog pokretača može se naći u zdravstvenim, stambenim, uredskim i javnim zgradama.

Vrata su osmišljena tako da omogućavaju neprekidnu uporabu, visok stupanj sigurnosti i maksimalan životni vijek. Sustav se samostalno prilagođava utjecaju uobičajenih promjena vremenskih uvjeta i manjim promjenama u trenju koje uzrokuje, primjerice, prašina ili blato.

Za izlaz u slučajevima nužde vrata se otvaraju ručno.

Za montažu i održavanje pogledajte Priručniku za montažu i servisiranje 1009728 za montažu na površinu i 1009936 za gornju skrivenu montažu.

Sačuvajte ove upute za buduće korištenje.

Tehničke pojedinosti

Proizvođač:	ASSA ABLOY Entrance SystemsAB
Adresa:	Lodjursgatan 10, SE-261 44 Landskrona, Sweden
Utipkajte:	ASSA ABLOY SW200
Napajanje:	100-240 V AC +10/-15%, 50/60 Hz
Potrošnja energije:	Maks. 300 W
Klasa zaštite:	IP20
Zvučni tlak:	$L_{pa} \leq 70 \text{ dB}(A)$
Odobrenja:	Za druga odobrenja nadležnih certifikacijskih organizacija koja vrijede za sigurnost pri uporabi, pogledajte Izjavu o sukladnosti.

HR

Kako radi ASSA ABLOY SW200

Pokretač mimokretnih vrata ASSA ABLOY SW200 upotrebljava DC motor koji je povezan s izlaznom osovinom preko konusnih i čeonih zupčanika. Sustav ruku koji je spojen s izlaznom osovinom otvara vrata u verziji s montažom na zid.





Također postoji i podesivi opružni mehanizam spojen s izlaznom osovinom. Prilikom otvaranja vrata, spiralna opruga se zateže rotiranjem izlazne osovine. Tijekom ciklusa zatvaranja, akumulirana sila opruge djeluje u smjeru zatvaranja. Sila opruge može se podesiti tako da sila bude primjerena za zatvaranje vrata kada su ona u ručnom pogonu ili u slučaju nestanka struje.

Za aktiviranje pogona možete koristiti ručni aktivator (prekidač za aktiviranje laktom) ili automatski aktivator (uređaj s detektorom). Ukoliko lokalni propisi to dopuštaju, pogon je također moguće aktivirati samo guranjem vrata ukoliko je odabrano aktiviranje guranjem.

Nakon aktiviranja vrata, ona će se otvoriti i ostati otvorena za navedeno vrijeme zadržavanja u otvorenom stanju (Hold Open Time / HOT). Kada istekne to vrijeme HOT, vrata će se zatvoriti.

ASSA ABLOY SW200 je moguće prebaciti u tri ili četiri različita načina rada, ovisno o opcionalnom izborniku programa, vidi donju tablicu.

U slučaju potpuno ručnog načina korištenja (ili nestanka struje) ASSA ABLOY SW200 funkcionira kao običan zatvarač vrata.

Radno mjesto	Funkcija
 OFF	Vrata su zatvorena. Vrata se ne mogu otvoriti pomoću unutarnjih i vanjskih aktivacijskih jedinica. Vrata se zaključavaju ako je ugrađen elektromehanički uređaj za zaključavanje. Vrata se mogu otvoriti pomoću brave s ključem (ako ja montirana).
 EXIT	Prolaz samo iznutra. Vrata se obično zaključavaju ako je ugrađen elektromehanički uređaj za zaključavanje. Vrata se mogu otvoriti samo pomoću unutarnje aktivacijske jedinice i prekidača s ključem (ako je ugrađen).
 AUTO Normalan položaj	Vrata se mogu otvoriti unutarnjim i vanjskim ručnim i/ili automatskim aktivatorima. Ako je postavljena elektromehanička brava, onda je ona otvorena.
 OPEN	Motor neprekidno drži vrata otvorenima.

ASSA ABLOY SW200 varijante

ASSA ABLOY SW200 -SA-152X152:	Montaža na površinu zaglavlja, širine 152 mm x visine 152 mm
ASSA ABLOY SW200 -OHC:	OHC primjena, širine 152 mm x visine 152 mm











Redovne provjere sigurnosti

Kako bismo vam pomogli u ispunjenju nacionalnih/međunarodnih zahtjeva i sprječavanju kvarova i opasnosti od ozljeda, sastavili smo kontrolnu listu u nastavku.



Nemojte koristiti operator ako su potrebni popravak ili podešavanje.

Isključiti napon ^⑭ kada se obavlja čišćenje ili drugi radovi održavanja.

Svakodnevni postupci		Ako dođe do problema	
Aktivirajte svoj pokretač i vizualno provjerite pričvršćivanje i ima li oštećenja <ul style="list-style-type: none"> • pogon ^① • sustav s rukom ^② • kabeli ^③ • Kontrolni prekidač ^④ • šarke ^⑤ • vrata i staklo ^⑥ 			
Također provjerite pogon i provedite vizualnu kontrolu <ul style="list-style-type: none"> • postoje li oštri rubovi na vratnim krilima i vratnom okviru (ako postoji) ^⑦ • stanje brtvi vrata ^⑧ • zaštita prstiju ^⑨ • a na kraju i to rade li kompletna vrata ispravno i zatvaraju li se polako ravnomjerno 		 	
Postavite izbornik načina rada na OFF i provjerite rade li operator i elektromehanička brava (ako su postavljeni) zajedno. Provjerite također osigurava ^⑩ li brava vrata.			
Aktivirajte ručne aktivacijske jedinice ^⑪ ako postoje, i krenite prema vratima. Provjerite jesu li se vrata pravilno otvorila dok prolazite kroz ulaz/izlaz. Zatim isto tako postupite s automatskim aktivacijskim jedinicama ^⑫ .			
Ako postoje, provjerite sigurnosne senzore ^⑬ tako da stanete na putanju vrata i aktivirate mehanizam. Vrata vas ne bi smjela udariti pri otvaranju i zatvaranju. Ako niste sigurni koji tip senzora imate, molimo vas kontaktirajte svog ASSA ABLOY Entrance Systems predstavnika.			
Izlaz za nuždu	Sukladno zakonu ove se provjere moraju redovito provoditi od strane kvalificiranog osoblja.	Izbornik programa postavite na automatski način rada. Vrata gurnite rukom u smjeru izlaza za nuždu i uvjerite se u to da nikakav objekt ili funkcija neće spriječiti otvaranje vrata. Također se pobrinite o tome da staza za izlaz u slučaju nužde bude slobodna za korištenje.	 
Požarna vrata		Pustite vrata da se zatvore nakon što impuls potvrdi da ništa ne sprečava vrata da se zatvore i zaključaju (ako propisi to zahtijevaju).	 



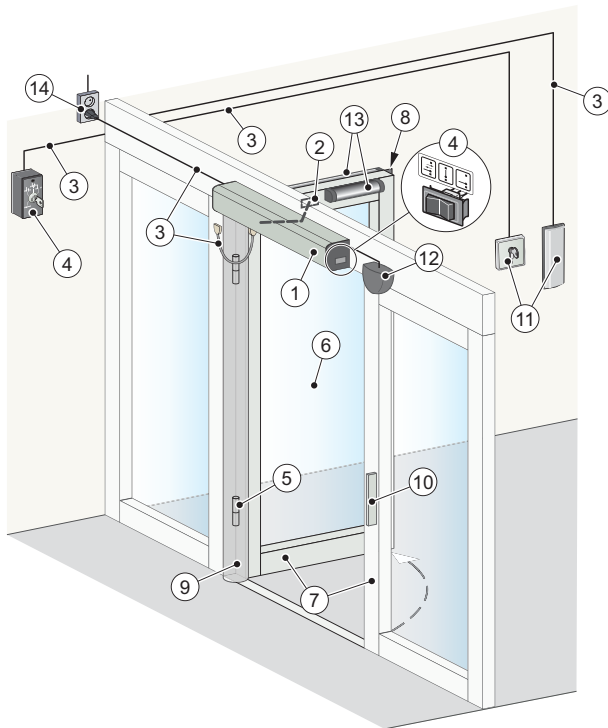
= Poduzmite odgovarajuće mjere.



= Kontaktirajte svog ASSA ABLOY Entrance Systems predstavnika. Za podatke o kontaktu pogledajte posljednju stranicu.

HR

PREGLED FUNKCIJA I VANJŠTINE



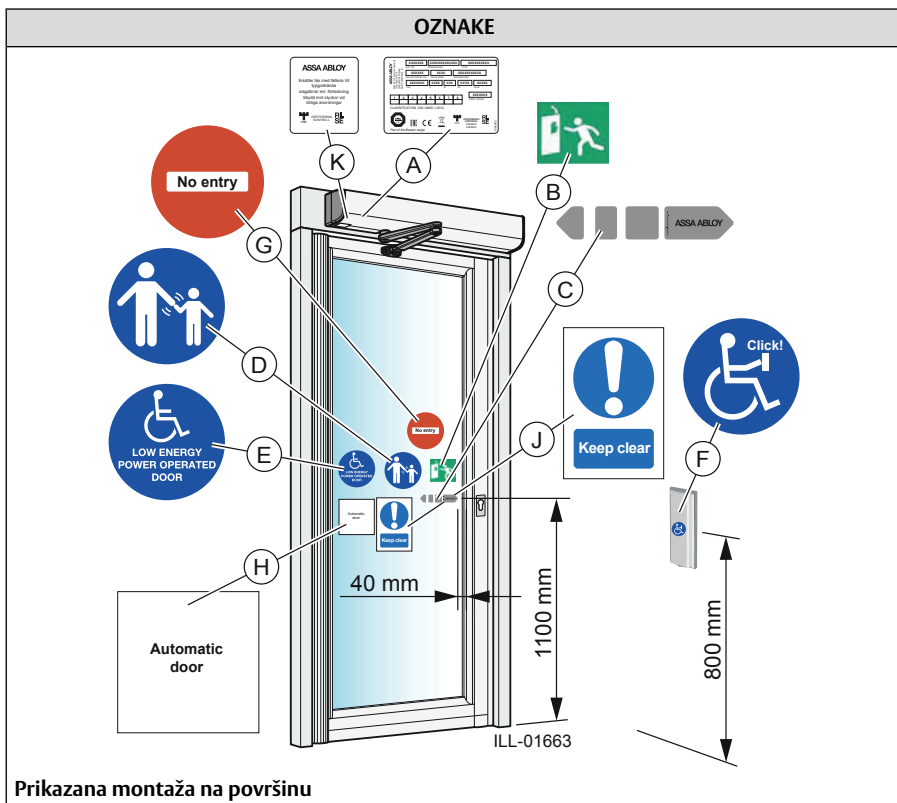
Prikazana montaža na površinu

ČIŠĆENJE

Najbolji način za uklanjanje prašine i prljavštine iz ASSA ABLOY SW200 je da koristite vodu i meku krpu ili spužvu.

Može se koristiti blagi deterdžent. Kako bi se zadržala kvaliteta obrade površine, površine bi trebalo čistiti jednom u četiri mjeseca. Čišćenje treba dokumentirati. Kako bi se izbjeglo oštećenja profila, četke/brtvene trake za zaštitu od vremenskih uvjeta potrebno je usisavati jednom tjedno.

- Ne izlažite prozore, vrata i profile lužinama. Aluminiij i staklo osjetljivi su na lužine.
- Nemojte čistiti vodom pod visokim tlakom. Upravljač, izbornik načina rada i senzor mogu se oštetiti, a u profile može ući voda.
- Ne koristiti sredstva za poliranje.
- Nemojte ribati grubim priborom za čišćenje, jer može doći do mehaničkih oštećenja.



Postupak		Ako dođe do problema
<p>Provjerite jesu li sve potrebne oznake prisutne i neoštećene. Obavezno ukazuje da su oznake propisane europskim direktivama i odgovarajućim nacionalnim propisima izvan Europske unije.</p>		📞
(A)	Oznaka proizvođača: Obavezna	
(B)	Break-out funkcija u slučaju nužde: Obavezna je ako su vrata u sklopu izlaza za nuždu.	
(C)	ASSA ABLOY Entrance Systems naljepnica za vrata: Obavezno je, ako je to primjenjivo, označiti prisutnost stakla (odnosi se na sve staklene dijelove koji su u pokretu).	
(D)	Nadzor djece (odnosi se na obje strane vrata): Obavezno prema nacionalnim propisima. Preporučuje se ako se analizom rizika utvrdi uporaba od strane djece.	
(E)	Pokretač konstruiran za osobe s invaliditetom: Obavezno, ako je primjenljivo (primjenjuje se na obje strane vrata)	
(F)	Gumb za aktivaciju za osobe s invaliditetom: Preporučuje se, ako je primjenljivo.	
(G)	Nema ulaza, označava jednosmjerno kretanje: Obavezno u Velikoj Britaniji i SAD-u, ako je primjenljivo, nije uključeno u proizvod	
(H)	Automatic door	
(J)	Održavajte prohodnim	
(K)	Naljepnica SITAC: Obavezno samo u Švedskoj	

📞 = Kontaktirajte svog ASSA ABLOY Entrance Systems ovlaštenog predstavnika. Za podatke o kontaktu pogledajte posljednju stranicu.

Glavni dodaci

- Kontrolni prekidač ④, [vidi stranicu 120](#)
- Električna brava ⑩, [vidi stranicu 120](#)
- Prekidač s ključem ⑪, [vidi stranicu 120](#)
- Prekidač za aktiviranje laktom ⑪, [vidi stranicu 120](#)
- Detektor ⑫, [vidi stranicu 120](#)
- Bežični odašiljač (nije prikazano na slici)
- Upravljačka jedinica za pristup (nije prikazano na slici)
- Zaustavljač vrata (nije prikazan na slici)

Sigurnosni dodaci

- Sigurnosni senzori ⑬, [vidi stranicu 120](#).
- Zaštita prstiju ⑨, [vidi stranicu 120](#).

Otklanjanje grešaka

Što nije u redu?	Otklanjanje
Vrata se ne otvaraju	
Motor se ne pokreće	Promijenite postavke izbornika načina rada. (Vidi stranicu 118). Ako je postavljen senzor, uvjerite se da nema nikakvih objekata u zoni detekcije. Provjerite mrežno napajanje i osigurač u zgradi.
Motor se pokreće, ali se vrata ne otvaraju	Otključajte mehaničku bravu. Provjerite da li se nešto zaglavilo ispod vrata.
Vrata se ne zatvaraju	Promijenite postavke izbornika načina rada. (Vidi stranicu 118). Ako je postavljen senzor, uvjerite se da nema nikakvih objekata u zoni detekcije. Provjerite da li se nešto zaglavilo ispod vrata.
Vrata se kontinuirano otvaraju i zatvaraju	Ako je postavljen uređaj za automatsko aktiviranje, uvjerite se da nema nikakvih pokretnih objekata na udaljenosti od 1-1,5 m (39"-59") od vrata.
Ako se problem nastavi, molimo kontaktirajte svog ASSA ABLOY Entrance Systems predstavnika.	

Servisiranje/održavanje

Usluge servisiranja i prilagođavanja koje obavlja vaš ovlašteni ASSA ABLOY Entrance Systems predstavnik osigurat će siguran i ispravan rad vaših automatskih vrata.

Vodite računa o tome da dokumente "Servisni dnevnik" i "Provjera preuzimanja na licu mjesta i procjena rizika" (PRA-0007) čuvate tako da budu dostupni. Oni se upotrebljavaju zajedno.

Tablica pokazuje preporučeni interval u mjesecima kada valja provjeriti ili zamijeniti dijelove prilikom preventivnog održavanja. Obratite se vašem ASSA ABLOY Entrance Systems predstavniku kako biste saznali više o našim ponudama usluga.

Dio	Broj dijela	Broj otvaranja po satu tijekom rada			Otežan Okoliš
		<10	<100	>100	
		Slab promet	Srednji promet	Gust promet	
Servisni komplet ruku za PUSH (gurni)	330000271 SI/BK	24	12	6	6
Servisni komplet kraka za PULL (vuci)	330000272 SI/BK	24	12	6	6
Komplet ruke za zaustavljanje	330000276	24	12	6	6
Set za mikro prekidač	330000275	24	12	6	6
Komplet adaptera	330000270 SI/BK	24	12	6	6
Prijenosna jedinica	331007291	60	60	60	60
Upravljačka jedinica CU-200 s tiskanim pločama EXU	331008346	60	60	60	60
Baterija	33738753	24	24	24	24

Više proizvoda ASSA ABLOY Entrance Systems

- Vratni sustavi
- Krilna vrata
- Zračne zavjese
- Kružna vrata
- Klizna vrata
- Automatske i ručne aktivacijske jedinice
- Podizna sekcijska vrata
- PVC vrata s okomitim podizanjem
- Pretovarne rampe
- Zaštitne zavjese
- Sklopiva harmonika-vrata
- Brzopodizna rolo vrata
- Utovarne kućice
- Usluge kao što su preventivno održavanje i programi za nadogradnju, hitni popravci, savjeti o korištenju i upravljanju vratima

Izjavljujemo **ASSA ABLOY Entrance Systems AB**
Lodjursgatan 10
SE-261 44 Landskrona
Sweden

pod vlastitom odgovornošću da je ovaj uređaj:
SW200

u skladu sa sljedećim direktivama:

2014/30/EZ Direktiva o elektromagnetskoj kompatibilnosti (EMCD)

2006/42/EZ Direktiva o sigurnosti strojeva (MD)

2011/65/EU o ograničenju uporabe određenih opasnih tvari u električnoj i elektroničkoj opremi s važećim izmjenama i dopunama (RoHS)

Primijenjeni su usuglašeni europski standardi:

EN ISO 13849-1:2015

EN 60335-1:2012+A11:2014

EN 60335-2-103:2015

EN 61000-6-2:2005

EN 61000-6-3:2007+A1:2011

EN 16005:2012/AC:2015

Ostali primijenjeni standardi ili tehnički propisi:

FCC 47 CFR Part 15 B

UL 325

IEC 60335-1 ed 5:2010

IEC 60335-2-103: ed. 2.1:2011

EN 1634-1:2008

Certifikat vezan za opremu je za uređaj izdalo nadležno ili ovlašteno tijelo (za punu adresu, molimo kontaktirajte ASSA ABLOY Entrance Systems AB):

SC0072-14

UL File E47833

UL File R9469

Proizvodni proces osigurava usklađenost uređaja s tehničkom dokumentacijom. Postupak proizvodnje redovito ocjenjuju treće strane.

CE oznaka prvi puta je stavljena 2013-11-04.

Sastavljanje tehničke dokumentacije:

Anders Forslind

ASSA ABLOY Entrance Systems AB

Lodjursgatan 10

SE-261 44 Landskrona

Sweden

Mjesto
Landskrona

Datum
2021-04-16

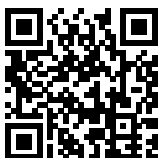
Potpis
Klas Hagelin

Radno mjesto
Global Quality Manager



ASSA ABLOY Entrance Systems vodeći je dobavljač rješenja za automatizaciju ulaza za učinkovit protok dobara i ljudi. Na temelju dugoročnog uspjeha marki Besam, Crawford, Albany i Megadoor, nudimo naša rješenja unutar marke ASSA ABLOY. Naši proizvodi i usluge posvećeni su zadovoljavanju potreba krajnjih korisnika za siguran, udoban i održivi rad. ASSA ABLOY Entrance Systems odjel je unutar tvrtke ASSA ABLOY.

assaabloyentrance.com



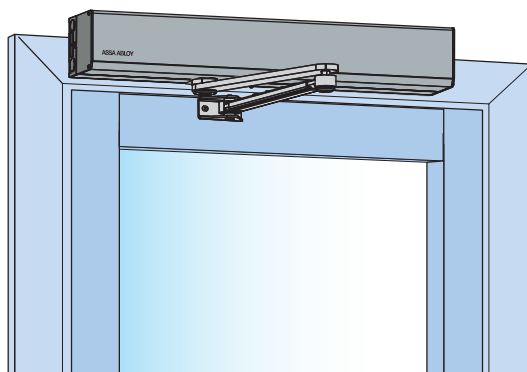
ASSA ABLOY Entrance Systems

Tel.:+46 10 47 47 000
info.aaes@assaabloy.com
assaabloyentrance.com

Nyílóajtó-automatika ASSA ABLOY SW200

Felhasználói kézikönyv

Gyártói utasítások



HU

Tartalomjegyzék

A biztonságos üzemeltetésre vonatkozó utasítások	129
Gratulálunk új automata ajtajához!	131
Villamos berendezések vevőegységének interferenciája	131
Környezetvédelmi követelmények	131
Termék megbízhatósága	131
Garancia	132
Szerviz	132
Rendeltetészerű használat	133
Műszaki specifikáció	133
A ASSA ABLOY SW200 működése	134
ASSA ABLOY SW200 változatok	134
Rendszeres biztonsági ellenőrzések	135
Általános kiegészítők	139
Biztonsági tartozékok	139
Hibaelhárítás	139
Szerviz/karbantartás	140
Egyéb § termékekASSA ABLOY Entrance Systems	140
Megfelelőségi nyilatkozat	141

Az ASSA ABLOY szó és logó az ASSA ABLOY Group tulajdonát képező védjegy

© ASSA ABLOY Entrance Systems,2021

A műszaki adatok értesítés nélkül megváltozhatnak.

A biztonságos üzemeltetésre vonatkozó utasítások



- Az alábbi gyártói utasítások elmulasztása személyi sérülésekhez, ill. a berendezés meghibásodásához vezethet!
- A személyi sérülés veszélyének minimalizálása érdekében ezt az automatikát kizárólag személyforgalomra szolgáló, egy- vagy kétszárnyú nyíló- és harmonikaajtók esetében használjuk.
- Ne működtesse a berendezést, ha javításra vagy beállításra van szükség.
- Szüntesse meg a tápellátást, mielőtt tisztításba vagy egyéb karbantartásba kezd.
- Az automatikát használhatják 8 év feletti gyermekek, ha egy biztonságukért felelős személy erre megtanította őket.
- Az automatikát akkor használhatják 8 éves vagy fiatalabb gyermekek, ha egy biztonságukért felelős személy felügyeli őket.
- Az automatikát akkor használhatják olyan személyek, akik valamilyen fizikai, érzékszervi vagy mentális fogyatékkal élnek, ha egy biztonságukért felelős személy erre megtanította őket.
- A tisztítást és a felhasználói karbantartást gyermekek nem végezhetik.
- Ne hagyja, hogy bárki felmásszon az ajtóra, vagy annak rögzített/távirányítású kezelőszerveivel játsszon.

- Az ajtórendszer működtethető érzékelők segítségével automatikusan, illetve impulzusadók segítségével kézzel. Kézzel is használható, ajtócsukóként.

Gratulálunk új automata ajtajához!

ASSA ABLOY Entrance Systems ABA(z) § több mint 50 éve fejleszt automata ajtókat/kapukat. A csúcskategóriájú technológia, a körülmektől tesztelt anyagok és alkatrészek jóvoltából kiváló termékhez jutott.

Más műszaki termékekhez hasonlóan ez az automata ajtó is rendszeres karbantartást és szerviz igényel. Nagyon fontos, hogy megismerje az automata ajtó (rendszer) működését, és felismerje a karbantartás fontosságát a vonatkozó biztonsági szabványokkal együtt.

Helyi hivatalos ASSA ABLOY Entrance Systems képviselője kellő ismeretekkel rendelkezik a szabványokkal kapcsolatban, emellett ismeri a helyi rendelkezéseket és a(z) ASSA ABLOY Entrance Systems ajánlásait az elektromos működtetésű személyforgalmi ajtókra vonatkozóan. A hivatalos ASSA ABLOY Entrance Systems képviselő által végzett karbantartás és beállítás biztosítja az automata ajtó biztonságos és megfelelő működését.

Villamos berendezések vevőegységének interferenciája

Az eszköz rádiófrekvenciás energiát generálhat és használhat, és a nem megfelelő telepítése, illetve használata esetén zavarhatja a rádió, a televízió vételét vagy egyéb, rádiófrekvencia-típusú rendszerek működését.

Ha a többi berendezés nem felel meg teljes egészében a tűrési követelményeknek, akkor interferencia léphet fel.

Nincs garancia arra, hogy egy adott rendszer esetében nem lép fel interferencia. A berendezés által rádió- vagy televízió vevőkben okozott interferencia a berendezés ki- és bekapcsolásával állapítható meg. Javasoljuk, hogy az esetleg jelentkező interferenciát a következő módszerekkel próbálja meg elhárítani:

- Forgassa el a vevőantennát.
- Helyezze át a vevőt a berendezéshez képest.
- Helyezze a vevőt távolabb a berendezéstől.
- Csatlakoztassa a vevőt egy másik aljzatba, hogy a berendezés és a vevő külön áramköri ágon legyen.
- Ellenőrizze, hogy a védőföld (PE) csatlakoztatva van-e.

Szükség esetén további javaslatokért konzultáljon az eladóval vagy egy tapasztalt elektrotechnikussal.

Környezetvédelmi követelmények

ASSA ABLOY Entrance Systems A(z) § termékek elektronikus áramkörökkel vannak ellátva, és a környezetre veszélyes anyagokat tartalmazó akkumulátorokat is tartalmazhatnak. Az elektronikai alkatrészek és akkumulátorok eltávolítása előtt áramtalanítsa a berendezést, és a kiszertelt egységeket a helyi előírásoknak megfelelően (hogyan és hová) selejtezze le – ahogy ez a csomagolás esetében is történt.

Termék megbízhatósága

Az előírások szerint a berendezésre a tulajdonosának vagy a karbantartójának kell felelősséget vállalnia.

- hogy a berendezés megfelelően működik és balesetvédelmi szempontból kellő védelmet nyújt.
- annak biztosítása, hogy a berendezés rendszeres karbantartását, ellenőrzését és szervizelését a hatályos jogszabályok szerint, arra gyártói felhatalmazással rendelkező szakemberek végezzék
- hogy a karbantartási és szerviz célú feljegyzések beírásához a mellékelt „Szerviz napló” és a „Helyszíni átvételi teszt és kockázatértékelés” dokumentumot (PRA-0007) kéznél tartják.
- hogy az ellenőrzések kitérjenek a vésznyitási funkcióra is (ha alkalmazható)
- hogy a becsukáshoz szükséges erő az ajtó méretéhez megfelelő legyen tűzgyátló ajtórendszerek esetén (ha alkalmazható).

Garancia

ASSA ABLOY Entrance SystemsA(z) § garantálja, hogy a terméke a rendeltetésszerű használat során és alatt az átadástól számított 12 hónapon át mentes marad az anyag- és gyártási hibáktól. Ez a garancia csak a berendezés eredeti vásárlójára terjed ki.

ASSA ABLOY Entrance SystemsA(z) § garantálja, hogy a szoftver alapvetően megfelel a funkcionális leírásának, és hibátlan adathordozóra került rögzítésre.

A(z) ASSA ABLOY Entrance Systems garanciája nem terjed ki az alábbiakra:

- a szoftver mindig hibamentesen és megszakítás nélkül fog működni
- az alkatrészek üzemszerű kopására, elhasználódására.
- biztosítékra, akkumulátorra és üveglámpákra.
- A nem technikus által végzett munka eredményeként fellépő hibás működés (idegenkezűség) esetén ASSA ABLOY Entrance Systems
- módosítás, rongálás vagy helytelen használat által okozott hibákra.
- nem eredeti ASSA ABLOY Entrance Systems márkájú kiegészítő tartozékok és/vagy pótalkatrészek utólagos beszereléséből eredő hibákra.
- az ügyféllel történő elégtelen kommunikációból eredő fölösleges kiszállásra (az ajtó működik a technikus érkezésekor, reset, áramszünet),
- Beállítások (zárási és nyitási sebesség és a radarok érzékelési tartománya) a vevő kérései alapján (kivéve a veszélyes helyzetek előidézését célzó működési beállításokat)
- vízkár.
- mostoha időjárási körülmények.
- semmilyen olyan károsodásra, amit közvetlenül vagy közvetett módon olyan körülmény okozott, mely kívül esik a(z) ASSA ABLOY Entrance Systems cégcsoport adott tagjának az ellenőrzésén, például szakmai vita, tűz, természeti csapás, háború, katonai mozgósítás, felkelés, katonai célra történő igénybevétel, lefoglalás, embargó, tápellátás használatának korlátozása, vagy az ellátásnak alvállalkozó által bármilyen körülmény miatt okozott kiesése, késedelme.

Kérjük, vegye figyelembe az alábbiakat:

- A gyártó szerviz- és karbantartási ajánlásainak be nem tartása miatt a garancia érvényét vesztheti.
- ASSA ABLOY Entrance SystemsA(z) § hivatalos viszonteladói meghosszabbíthatják a garanciát a végfelhasználók számára, de nem jogosultak a(z) ASSA ABLOY Entrance Systems nevében ki-terjedtebb vagy a fentitől eltérő garancia nyújtására.
- A(z) ASSA ABLOY Entrance Systems és a vásárló között megkötött karbantartási\ szerviz szerződés biztosítja, hogy a rendszer mindig megbízhatóan működjön, valamint hibabejelentés esetén prioritást biztosít, így minimalizálva a rendszer esetleges állásidejét.

Szerviz

A műszaki átvizsgálásokat rendszeresen, képzett szakembernek kell elvégeznie. Ezeknek az átvizsgálásoknak a gyakorlatilag nemzeti előírások is meghatározzák (ezek hiányában az iparági szabványok szerint kell megállapítani). Ez különösen fontos, ha a telepített ajtó tűzgyátló, vagy menekülési útvonal funkciót tölt be. Az ajtó értékének hosszú távú megőrzése és a biztonságos, megbízható működés érdekében szükség van évente legalább kétszer, illetve a felhasználástól és az üzemi feltételektől függően esetleg több karbantartásra. A környezetvédelem szempontjait szintén figyelembe kell venni.

Mivel az ajtó és kapuk az üzleti folyamatok tényezői, megbízható működésük minden vállalkozás elemi érdeke. A(z) ASSA ABLOY Entrance Systems olyan karbantartási és felújítási gyakorlattal rendelkezik, amiben bátran lehet bízni. Az automatikus ajtókra kidolgozott karbantartási programjaink és felújítási szolgáltatásaink hátterében ott áll az a sokéves tapasztalat, amit a legkülönfélébb gyártmányú ajtó, ipari kapuk és dokkolórendszerek karbantartása során szereztünk. Elkötelezett technikusaink több évtizedes karbantartási és szerviztapasztalattal bizonyítják szakértelmüket elégedett ügyfeleink számára.

Rendeltetésszerű használat

A(z) ASSA ABLOY SW200 egy automatikus nyílóajtó, melyet azok számára terveztünk, akik használni tudják az automata ajtók előnyeit. A(z) ASSA ABLOY SW200 nyílóajtó-automatika egyenáramú motorral és lassító áttétellel hajtja meg az ajtónyitó karrendszert. Belső térbe kell telepíteni, ahol szinte bármilyen típusú külső és belső nyílóajtóhoz használható. Az automatika alkalmazási területe nagyon széles, jól alkalmazható egészségügyi intézményekben, lakásokban, irodákban vagy középületekben. Az ajtó tervezésekor a folyamatos használat, magas biztonsági szint és maximális élettartam volt az alapvető követelmény. A rendszer az időjárás normál változásait és a sűrűdés (pl. porból és elszennyeződésből eredő) kisebb módosulását önállóan követni tudja.

Vészhelyzetekben meneküléshez az ajtórendszert kézzel kell kinyitni.

A telepítéssel és karbantartással kapcsolatosan lásd: Telepítési és szerelési kézikönyv 1009728 (felületre szerelt), illetve 1009936 (rejtett kivitelű).

Őrizze meg ezt a leírást későbbi használatra.

Műszaki specifikáció

Gyártó:	ASSA ABLOY Entrance Systems AB
Cím:	Lodjursgatan 10, SE-261 44 Landskrona, Sweden
Típus:	ASSA ABLOY SW200
Tápegység:	100–240 V AC +10/-15%, 50/60 Hz
Áramfogyasztás:	Max. 300 W
Védelmi osztály:	IP20
Hangnyomás:	$L_{pa} \leq 70 \text{ dB}(A)$
Minősítések:	Elismert külső tanúsító szervezetek által kiadott minősítések a használat közbeni biztonság igazolására, lásd Megfelelőségi nyilatkozat.

HU

A ASSA ABLOY SW200 működése

A(z) ASSA ABLOY SW200 nyílajtó-automatika egyenáramú motorral és kúpfogaskerekes-homlokfogaskerekes áttétellel hajtja meg a kimenőtengelyt. Falra szerelt alkalmazás esetében a hajtótengelyhez csatlakozó karrendszer mozgatja az ajtót.





A hajtótengelyhez egy állítható rugós mechanika is csatlakozik. Az ajtó nyitása során a spirálrugót a kimenőtengely forgása feszíti meg. A tárolt rugóerő a csukási ciklus során a csukást segíti. A rugóerőt be lehet állítani úgy, hogy megfelelő erő legyen a kézzel működtetett ajtó becsukásához, illetve áramkimaradás esetén.

Az automatika kézi impulzusadóval (könyökkapcsolóval) vagy automatikus impulzusadóval (radarral) működtethető. Arra is lehetőség van, hogy – ha a helyi előírások megengedik – egyszerűen az ajtó megnyomása hozza működésbe az automatikát. Ehhez a „Push & Go” beállítást kell használni.

Az aktivált ajtó kinyílik, és a beállított nyitvatartási időtartamra (HOT) nyitva marad. A HOT elteltével az ajtó becsukódik.

A(z) ASSA ABLOY SW200 három- vagy négyféle üzemmódra állítható (az opcionális programkapcsoló típusától függően) – lásd az alábbi táblázatot.

Teljesen kézi használat esetén (vagy áramkimaradásakor) a(z) ASSA ABLOY SW200 normál ajtócsukóként működik.

Beosztás	Funkció
 KI	Az ajtó zárva van. Az ajtó belső vagy külső impulzusadóval nem nyitható. Az ajtó zárva van, ha van felszerelve elektromechanikus zár. Az ajtó kulcsos kapcsolóval nyitható (ha van).
 KIJÁRAT	Átjárás csak belülről. Az ajtó normál esetben zárva van, ha van felszerelve elektromechanikus zár. Az ajtó csak a belső impulzusadóval és kulcsos kapcsolóval (ha van) nyitható.
 AUTO Normál állás	Az ajtó belső és külső kézi és/vagy automatikus impulzusadókkal nyitható. Az elektromos zár – ha van – nyitott állapotú.
 NYITÁS	A ajtó állandó nyitott helyzetét a motor tartja fenn.

ASSA ABLOY SW200 változatok

ASSA ABLOY SW200 -SA-152X152:	Felületre szerelt alkalmazáshoz, 152 mm széles x 152 mm magas tokban
ASSA ABLOY SW200 -OHC:	OHC alkalmazáshoz, 152 mm széles x 152 mm magas tokban











Rendszeres biztonsági ellenőrzések

Az állami és nemzetközi követelményeknek történő megfelelés érdekében, valamint a hibás működés és a balesetveszély elkerülésére az alábbi ellenőrzőlistát állítottuk össze.



Ne működtesse az automatikát, ha javításra vagy beállításra van szükség.

Szüntesse meg a tápellátást ⁽¹⁴⁾, mielőtt tisztításba vagy egyéb karbantartásba kezd.

Napi feladatok		Probléma esetén
<p>Kapcsolja be az automatikát, majd szemrevételezéssel ellenőrizze az</p> <ul style="list-style-type: none"> • az automatika, ⁽¹⁾ • a karrendszer, ⁽²⁾ • a kábelek, ⁽³⁾ • Vezérlőkapcsoló ⁽⁴⁾ • a kábelek, ⁽⁵⁾ • és az ajtószárny(ak) és az üveg rögzítettségét, ⁽⁶⁾ 		
<p>Szintén vizsgálja meg az automatikát, majd ellenőrizze szemrevételezéssel</p> <ul style="list-style-type: none"> • nincsenek-e éles részek az ajtószárnyakon vagy az ajtókereten (ha van), ⁽⁷⁾ • az ajtótomítések állapotát, ⁽⁸⁾ • a becsípődés elleni védelmet ⁽⁹⁾ • és végül azt, hogy az ajtó megfelelően működik-e és lassan, folyamatosan csukódik-e. 		 
<p>Állítsa a programkapcsolót kikapcsolt KI helyzetbe, majd ellenőrizze az automatika és az elektromechanikus zár (ha van) megfelelő együttműködését. Ellenőrizze azt is, hogy a zár ⁽¹⁰⁾ valóban rögzíti-e az ajtót.</p>		
<p>Aktiválja a manuális impulzusadókat ⁽¹¹⁾ (ha vannak), és induljon el az ajtó felé. Ellenőrizze, hogy az ajtó megfelelően kinyílik, ahogy Ön eléri a bejáratot/kijáratot.</p> <p>Ezután folytassa az automatikus impulzusadókkal ⁽¹²⁾ ugyanígy.</p>		
<p>Ellenőrizze – ha vannak – a biztonsági érzékelőket ⁽¹³⁾ úgy, hogy az ajtó nyílásának útjába áll, és működésbe hozza az automatikát. Az ajtónak se nyitáskor, se csukódáskor nem szabad meglöknie Önt.</p> <p>Ha nem biztos benne, hogy milyen típusú érzékelővel rendelkezik, forduljon a(z) ASSA ABLOY Entrance Systems képviselőjéhez.</p>		
<p>Vészkijáratú ajtók</p>	<p>Állítsa a programkapcsolót AUTO üzemmódba. Nyomja meg az ajtót manuálisan a menekülés irányába és ellenőrizze, hogy valamilyen akadály vagy funkció nem gátolja-e az ajtó kinyitását. Ellenőrizze azt is, hogy szabadon használható-e a menekülési útvonal.</p>	 
<p>Tűzgátló ajtók</p>	<p>Engedje az ajtót becsukódni a beérkező impulzusra, ellenőrizve, hogy semmi nem gátolja a becsukódását és bezáródását (ha a rendelkezés így írja elő).</p>	 

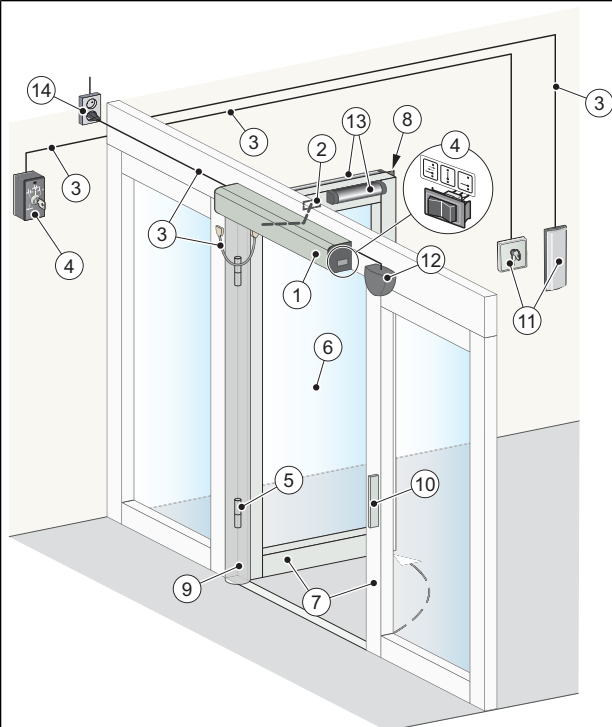


= Tegye meg a szükséges intézkedéseket.



= Forduljon a helyi ASSA ABLOY Entrance Systems képviselőhöz. Az elérhetőségi információkkal kapcsolatban lásd az utolsó oldalt.

FUNKCIONÁLIS ELLENŐRZÉS ÉS SZEMREVÉTELEZÉS



Az ábrán a felületre szerelt változat látható

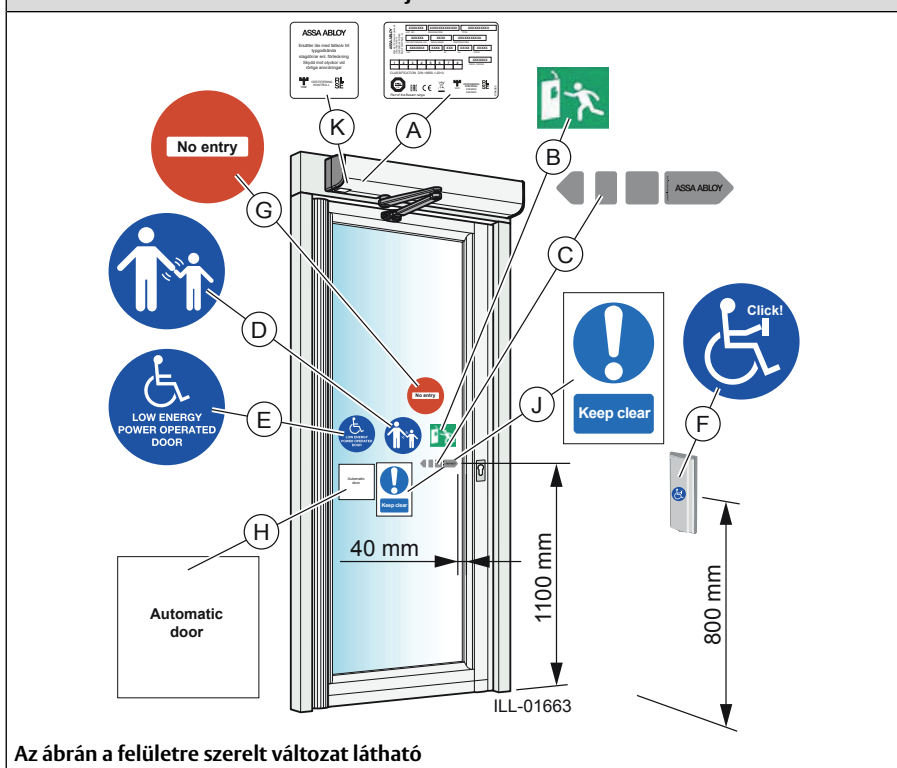
TISZTÍTÁS

A por és egyéb szennyeződések eltávolítására a ASSA ABLOY SW200 tisztítását végezze vízzel és puha törőlkendővel vagy szivaccsal. Enyhe oldószer alkalmazható.

Enyhe oldószer alkalmazható. A felületkezelés minőségének megőrzése érdekében a felületeket négyhavonta tisztítani kell. A tisztítást dokumentálni kell. A profilok sérülésének elkerülésére a keféket le kell porszívózni hetente.

- Ne tegye ki az ablakokat, ajtókat vagy profilokat lág hatásának. Az alumínium és az üveg is érzékeny a lágokra.
- Ne tisztítsa nagynyomású vízzel. Az automatika, a programkapcsoló és az érzékelő megsérülhet, a profilokba pedig víz juthat.
- Ne használjon fényesítő, csiszoló hatású mosószert.
- Ne dörzsölje mosószivaccsal, mert azzal mechanikai sérüléseket okozhat.

JELÖLÉSEK



Az ábrán a felületre szerelt változat látható

Művelet		Probléma esetén
	Ellenőrizze, hogy minden szükséges jelölés felkerült-e és hogy azok sértetlenek-e. A kötelező azt jelenti, hogy az adott jelölést EU-irányelvek, illetve az Európai Unió kívül azoknak megfelelő nemzeti jogszabályok írják elő.	
(A)	Termék címke: Kötelező	
(B)	Pánikfunkció: Kötelező, amennyiben menekülőútra vonatkozó jóváhagyással rendelkezik.	
(C)	ASSA ABLOY Entrance Systemsajtómatica: Kötelező – ha felragasztható – az üveg jelenlétének kiemelésére (minden mozgó üvegezett részre).	
(D)	Gyermekek felügyeletére felszólító jelzés (az ajtó mindkét oldalán) A nemzeti előírásoknak megfelelően kötelező. Ajánlott, ha a kockázatelemzés gyermekek általi használatot jelez.	
(E)	Mozgáskorlátozottak számára tervezett automatika: Ajánlott, ha alkalmazható (az ajtó mindkét oldalán).	
(F)	Mozgáskorlátozottak működtethetik: Javasolt, ha alkalmazható.	
(G)	Nem bejárat, egyirányú közlekedés jelzése: Kötelező az Egyesült Királyságban és az USA-ban, ha alkalmazható, a termék nem tartalmazza.	
(H)	Automatic door	
(J)	Szabadon hagyni	
(K)	SITAC címke: Kötelező Svédországban	



= Forduljon a helyi ASSA ABLOY Entrance Systems szervizhez. Az elérhetőségi információkkal kapcsolatban lásd az utolsó oldalt.

Általános kiegészítők

- Vezérlőkapcsoló ④, lásd: 136
- Elektromos zár ⑩, lásd: 136. oldal
- Kulcsos kapcsoló ⑪, lásd: 136. oldal
- Könyökkapcsoló ⑫, lásd: 136. oldal
- Radar ⑬, lásd: 136. oldal
- Vezeték nélküli jeladók (nincs illusztrálva)
- Beléptető (nincs illusztrálva)
- Végütköző (nincs illusztrálva)

Biztonsági tartozékok

- Biztonsági érzékelők ⑬, lásd: 136. oldal
- Becsípődés elleni védelem ⑭, lásd: 136. oldal

Hibaelhárítás

Mi a baj?	Elhárítás módja
Az ajtó nem nyílik ki	
A motor nem indul el	Módosítsa a programkapcsoló beállítását. (Lásd 134. oldal). Ha van érzékelő, ellenőrizze, nincs-e valamilyen tárgy az érzékelési területen. Ellenőrizze a hálózati áramot és a biztosítékot az épületben.
A motor elindul, de az ajtó vagy ajtók nem nyílnak ki.	Oldjon minden mechanikus zárat. Ellenőrizze, nem szorult-e az ajtó alá valami.
Az ajtó nem csukódik be	Módosítsa a programkapcsoló beállítását. (Lásd 134. oldal). Ha van érzékelő, ellenőrizze, nincs-e valamilyen tárgy az érzékelési területen. Ellenőrizze, nem szorult-e az ajtó alá valami.
Az ajtó folyamatosan nyílik és csukódik.	Automatikus impulzusadó használata esetén ellenőrizze, nincs-e valamilyen mozgó tárgy az ajtótól 1–1,5 méteren belül.
Ha a probléma továbbra is fennáll, forduljon a(z) ASSA ABLOY Entrance Systems képviselőhöz.	

Szerviz/karbantartás

Csak a hivatalos ASSA ABLOY Entrance Systems képviselő által végzett karbantartási és beállítási műveletek garantálják az automata berendezés biztonságos és megfelelő működését.

Ne feledje, hogy a „Szerviz napló” és a „Helyszíni átvételi teszt és kockázatértékelés” dokumentumot (PRA-0007) kéznél kell tartani. Ezeket együtt kell használni.

Az alábbi táblázat az alkatrészek megelőző karbantartás keretében ajánlott csereintervallumait mutatja hónapokban. Keresse fel ASSA ABLOY Entrance Systems képviselőjét, ha érdeklik a szervizszolgáltatások részletei.

Alkatrész	Alkatrész-szám	Óránkénti nyitásszám			Extrém kihasználtság
		<10	<100	>100	
		Alacsony forgalmú	Közepes forgalmú	Nagy forgalom	
PUSH kar szervizkészlet	330000271 SI/BK	24	12	6	6
PULL kar szervizkészlet	330000272 SI/BK	24	12	6	6
Végütköző kar készlet	330000276	24	12	6	6
Mikrokapcsoló készlet	330000275	24	12	6	6
Adapter készlet	330000270 SI/BK	24	12	6	6
Hajtásegység	331007291	60	60	60	60
CU-200 vezérlőegység EXU kártyákkal	331008346	60	60	60	60
Akkumulátor	33738753	24	24	24	24

Egyéb § termékek ASSA ABLOY Entrance Systems

- Ajtórendszerek
- Helytakarékos ajtók
- Légfüggönyök
- Forgóajtók
- Tolóajtók
- Automatikus és manuális impulzusadók
- Felnyíló szekcionált kapuk
- Megelőző karbantartás, programfrissítés, sürgősségi javítás, szervizelési tanácsok és ajtófelügyeleti szolgáltatás
- Felnyíló ponyvakapuk
- Rámpakiegyenlítők
- Kaputömítések
- Harmonikakapuk
- Gyorskapuk
- Rakodóházak

Mi, az **ASSA ABLOY Entrance Systems AB**
Lodjurgatan 10
SE-261 44 Landskrona
Sweden

felelősségünk teljes tudatában kijelentjük, hogy az alábbi típusú berendezés:
SW200

megfelel a következő irányelveknek:

Elektromágneses összeférhetőségről szóló 2014/30/EU irányelv (EMCD)

Gépekről szóló 2006/42/EK irányelv (MD)

2011/65/EU irányelv egyes veszélyes anyagok elektromos és elektronikus berendezésekben való alkalmazásának korlátozásáról (RoHS) és a vonatkozó módosítások

Alkalmazott harmonizált európai szabványok:

EN ISO 13849-1:2015

EN 60335-1:2012+A11:2014

EN 60335-2-103:2015

EN 61000-6-2:2005

EN 61000-6-3:2007+A1:2011

EN 16005:2012/AC:2015

Egyéb alkalmazott szabványok vagy műszaki specifikációk:

FCC 47 CFR Part 15 B

UL 325

IEC 60335-1 ed 5:2010

IEC 60335-2-103: ed. 2.1:2011

EN 1634-1:2008

Bizonyítvány, amelyet illetékes vagy szakértő testület állított ki (ennek címéhez lépjen kapcsolatba az ASSA ABLOY Entrance Systems AB) a berendezésre vonatkozóan:

SC0072-14

UL File E47833

UL File R9469

A gyártási eljárás biztosítja, hogy a berendezés megfeleljen a műszaki dokumentációnak. A gyártási folyamatot független cég rendszeresen ellenőrzi.

A CE-jelölés első alkalmazása: 2013-11-04.

A műszaki dokumentációt összeállította:

Anders Forslind

ASSA ABLOY Entrance Systems AB

Lodjurgatan 10

SE-261 44 Landskrona

Sweden

Hely
Landskrona

Dátum
2021-04-16

Aláírás
Klas Hagelin

Beosztás
Global Quality Manager



Az ASSA ABLOY Entrance Systems az áruk és személyek hatékony mozgását segítő automatikus bejárati rendszerek piacvezető gyártója. A Besam, a Crawford, az Albany és a Megadoor márka sikereit az ASSA ABLOY márkanév alatt szeretnénk továbbvinni. A kényelmes, biztonságos és fenntartható megoldásokra irányuló végfelhasználói igények kielégítése céljából kínálunk termékeket és szolgáltatásokat. Az ASSA ABLOY Entrance Systems az ASSA ABLOY egyik üzletága.

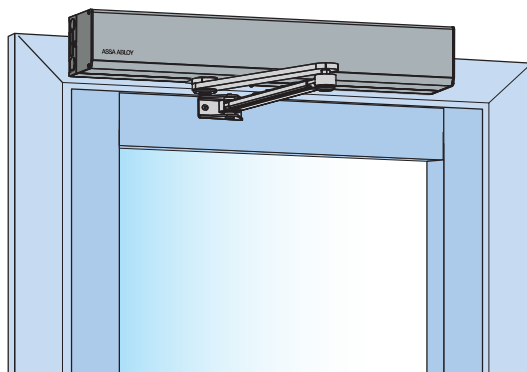
assaabloyentrance.com



ASSA ABLOY Entrance Systems

Tel:+46 10 47 47 000
info.aaes@assaabloy.com
assaabloyentrance.com

Automatismo per porte a battente ASSA ABLOYSW200 Manuale dell'utente Istruzioni originali



IT

SOMMARIO

Istruzioni per un funzionamento sicuro	145
Congratulazioni per l'acquisto della vostra nuova porta automatica!!porta!	147
Ricezione di interferenze da apparecchi elettronici	147
Requisiti ambientali	147
Responsabilità del prodotto	147
Garanzia	148
Assistenza	148
Destinazione d'uso	149
Specifiche tecniche	149
Come funziona il ASSA ABLOY SW200	150
ASSA ABLOY SW200 Variazioni	150
Controlli di sicurezza regolari	151
Accessori generali	155
Accessori di sicurezza	155
Risoluzione dei problemi	155
Assistenza/Manutenzione	156
Altri prodotti di ASSA ABLOY Entrance Systems	156
Dichiarazione di conformità	157

Il nome e il logo ASSA ABLOY è un marchio commerciale di proprietà del Gruppo ASSA ABLOY

© ASSA ABLOY Entrance Systems,2021

Le specifiche tecniche sono soggette a modifica senza preavviso.

Istruzioni per un funzionamento sicuro



- La mancata osservanza delle informazioni contenute nel presente manuale può dare luogo a infortuni personali o danni all'apparecchio.
- Per ridurre il rischio di infortuni - utilizzare questo automatismo esclusivamente per porte pedonali singole o doppie, a battente o a soffietto.
- Non utilizzare l'apparecchiatura se sono necessarie regolazioni o riparazioni.
- Scollegare l'alimentazione durante la pulizia o altri lavori di manutenzione.
- L'automatismo può essere utilizzato da bambini di età superiore a 8 anni, se adeguatamente istruiti da un responsabile della loro sicurezza.
- L'automatismo può essere utilizzato da bambini di età anche inferiore a 8 anni, se adeguatamente tenuti sotto controllo da un responsabile della loro sicurezza.
- L'automatismo può essere utilizzato da persone con capacità fisiche, sensoriali o mentali ridotte se adeguatamente istruite da un responsabile della loro sicurezza.
- La pulizia e la manutenzione a cura dell'utente non devono essere eseguite da bambini.
- Non consentire a nessuno di arrampicarsi sulla porta, né di giocare con essa o con i comandi fissi o a distanza.

- Il gruppo di porte può essere attivato automaticamente dai sensori o manualmente dagli organi d'impulso. Può anche essere utilizzato manualmente come chiudiporta.

Congratulazioni per l'acquisto della vostra nuova porta automatica!!porta!

ASSA ABLOY Entrance Systems AB costruisce porte automatiche da oltre 50 anni. La combinazione tra tecnologia allo stato dell'arte e materiali e componenti testati accuratamente offre un prodotto di qualità superiore.

Come qualsiasi altro prodotto tecnico, una porta automatica necessita periodicamente di manutenzione e assistenza. È fondamentale conoscere la propria porta automatica (sistema) e riconoscere l'importanza della sua manutenzione in conformità agli standard applicabili in materia di sicurezza. Il rappresentante autorizzato ASSA ABLOY Entrance Systems locale conosce tali standard, nonché tutte le normative applicabili a livello locale e le raccomandazioni di ASSA ABLOY Entrance Systems per porte pedonali ad azionamento elettrico. Gli interventi di assistenza e regolazione eseguiti dal centro di assistenza autorizzato ASSA ABLOY Entrance Systems garantiscono un funzionamento corretto e sicuro della porta automatica.

Ricezione di interferenze da apparecchi elettronici

L'apparecchio utilizza e può generare radiofrequenze; pertanto, se non viene installato e utilizzato correttamente, può interferire con la ricezione di segnali radio e televisivi.

Se le altre apparecchiature non sono pienamente conformi ai requisiti di immunità, possono verificarsi interferenze.

Non è possibile garantire l'assenza di interferenze in una particolare installazione. Se il dispositivo provoca interferenze alla ricezione di segnali radio o televisivi, determinabili accendendo e spegnendo il dispositivo, è opportuno provare a eliminarle adottando una o più delle seguenti misure:

- Riorientare l'antenna di ricezione.
- Riposizionare il ricevitore rispetto all'apparecchio.
- Allontanare il ricevitore dall'apparecchio.
- Collegare il ricevitore a una presa differente in modo che il dispositivo e il ricevitore siano collegati a diramazioni differenti del circuito.
- Verificare che la protezione di messa a terra (PE) sia collegata.

Se necessario, rivolgersi al proprio rivenditore oppure a un tecnico elettronico esperto per ulteriori suggerimenti.

Requisiti ambientali

ASSA ABLOY Entrance SystemsI prodotti sono dotati di componenti elettronici ed eventualmente di batterie contenenti materiali pericolosi per l'ambiente. Scollegare l'alimentazione prima di rimuovere i componenti elettronici e la batteria, e verificare che lo smaltimento venga eseguito come previsto dalle normative locali (in termini di luogo e modalità), analogamente a quanto fatto per il materiale d'imballaggio.

Responsabilità del prodotto

Conformemente alle normative, le seguenti responsabilità sono a carico del proprietario o dell'utilizzatore dell'apparecchio:

- che l'apparecchiatura funzioni correttamente in modo tale da garantire una sufficiente protezione in materia di salute e sicurezza
- che l'apparecchiatura sia utilizzata, ispezionata, oggetto di regolare manutenzione e assistenza da parte di qualcuno che vanti una competenza documentata in relazione all'apparecchiatura e alle normative applicabili
- che i documenti "Registro di assistenza" e "Prova di accettazione e Valutazione dei rischi" (PRA-0007) sono tenuti a disposizione per la registrazione degli interventi di manutenzione ed assistenza,

- l'ispezione deve comprendere l'apertura di emergenza (quando applicabile);
- la forza di chiusura deve essere appropriata per le dimensioni della porta sui sistemi di porte antincendio (quando applicabile)

Garanzia

ASSA ABLOY Entrance Systems garantisce che i propri prodotti saranno privi di difetti di materiale e manodopera nelle condizioni di utilizzo e manutenzione previste, per un periodo di 12 mesi a partire dalla consegna. La garanzia copre solo l'acquirente iniziale dell'apparecchio.

ASSA ABLOY Entrance Systems garantisce un funzionamento del software in conformità alle descrizioni del funzionamento, e che esso è stato registrato su supporti integri.

La garanzia di ASSA ABLOY Entrance Systems non copre quanto segue:

- che il software sarà privo di errori né che funzionerà senza interruzioni
- Usura generale del sistema
- Fusibili, batterie monouso e danni ai vetri
- Discrepanze del sistema causate da un installatore che non sia autorizzato da ASSA ABLOY Entrance Systems
- Sistemi che siano utilizzati in modo improprio, modificati o danneggiati da atti vandalici
- Sistemi ai quali siano stati aggiunti componenti e/o parti di ricambio prive di marchio originale ASSA ABLOY Entrance Systems
- Visite non richieste a causa di problemi di comunicazione col cliente (porta funzionante all'arrivo del tecnico, reimpostazione, interruzione dell'alimentazione)
- Regolazioni (velocità di apertura e chiusura nonché radar delle zone rilevamento) determinate dalle richieste del cliente (escluse le regolazioni che si ritiene possano creare rischi)
- Danni causati dall'acqua
- Condizioni meteorologiche avverse
- Tutti i danni causati, direttamente o indirettamente, da circostanze fuori dal controllo della società appartenente al gruppo ASSA ABLOY Entrance Systems, ad esempio vertenze industriali, incendi, disastri naturali, guerre, mobilitazioni militari estese, insurrezioni, requisizioni, sequestri, embarghi, restrizioni all'utilizzo di elettricità e difetti o ritardi delle consegne da parte di subappaltatori causati da circostanze analoghe

Nota:

- La mancata osservanza delle raccomandazioni per la cura e manutenzione del prodotto può annullare la garanzia.
- ASSA ABLOY Entrance Systems rivenditori autorizzati estenderanno la garanzia soltanto agli utenti finali, ma non hanno l'autorità di concedere una garanzia più ampia o diversa per conto di .
- Un contratto di manutenzione con ASSA ABLOY Entrance Systems contribuisce a garantire il funzionamento corretto e completo del sistema, e assicura la priorità in caso di richieste di assistenza, minimizzando così i tempi di inutilizzabilità dell'impianto.

Assistenza

Le ispezioni devono essere eseguite regolarmente a cura di un addetto addestrato e qualificato. La frequenza di tali ispezioni deve essere quella specificata dalle normative in vigore a livello nazionale (o quella standard del settore, se non esistono normative a livello nazionale). Questo è particolarmente importante quando l'installazione riguarda una porta antincendio o una porta con funzione di apertura di emergenza. Per migliorare la durata funzionale dell'investimento e garantire un funzionamento sicuro e affidabile della porta, raccomandiamo almeno 2 o più ispezioni annuali, a seconda delle condizioni d'uso e funzionamento. È inoltre necessario tenere conto degli aspetti ambientali.

Poiché gli ingressi fanno parte del flusso di lavoro, mantenerli in ottime condizioni di funzionamento è essenziale. ASSA ABLOY Entrance Systems mette a disposizione la proprie competenze di manutenzione e modernizzazione. I Programmi di manutenzione e i Servizi di modernizzazione da noi offerti sono supportati da una grande competenza in tutti i tipi di porte pedonali, portoni industriali e sistemi di carico/scarico, a prescindere dal marchio. Avrete a vostra disposizione un team di tecnici esperti, forti di decenni di manutenzione, assistenza e soddisfazione dei clienti.

Destinazione d'uso

Il ASSA ABLOY SW200 è un automatismo per porte automatiche a battente sviluppato per facilitare l'uso delle porte automatiche. L'automatismo per porte a battente ASSA ABLOY SW200 è del tipo a basso consumo energetico e utilizza un motore in CC e un sistema di riduzione ad ingranaggi per azionare un sistema di bracci che apre la porta. La sua installazione è prevista in interni, dove è adatto a quasi tutti i tipi di porte a battente interne ed esterne. Questo automatismo viene ampiamente utilizzato nelle strutture sanitarie, residenziali e per uffici, nonché negli edifici pubblici.

La porta è progettata per l'uso continuo con un elevato livello di sicurezza e la massima durata. Il sistema compensa automaticamente gli effetti dovuti alle normali variazioni delle condizioni meteorologiche e le piccole variazioni di attrito dovute, ad esempio, alla polvere e alla sporcizia.

In caso di fuga per situazioni di emergenza, il gruppo porte viene aperto manualmente.

Per l'installazione e la manutenzione vedere il Manuale di installazione e manutenzione 1009728 per installazioni con applicazione in superficie e 1009936 per installazioni sopraelevate ad incasso. Conservate le presenti istruzioni per futuri riferimenti.

Specifiche tecniche

Produttore:	ASSA ABLOY Entrance Systems
Indirizzo:	Lodjursgatan 10, SE-261 44 Landskrona, Sweden
Tipo:	ASSA ABLOY SW200
Alimentazione di rete:	100-240 V CA +10/-15%, 50/60 Hz
Consumo di corrente:	Max. 300 W
Classe di protezione:	IP20
Pressione sonora:	$L_{pa} \leq 70 \text{ dB}(A)$
Omologazioni:	Autorizzazioni per conto terzi concesse da organizzazioni di certificazione valide per la sicurezza generale, vedere la Dichiarazione di conformità.

Come funziona il ASSA ABLOY SW200

L'automatismo per porte a battente ASSA ABLOY SW200 utilizza un motore in CC collegato all'albero di uscita tramite una combinazione tra un ingranaggio conico e ingranaggi cilindrici. Il sistema di bracci collegato all'albero di uscita apre la porta in applicazioni montate a parete.





È inoltre presente un meccanismo ammolta regolabile collegato all'albero di uscita. Durante l'apertura della porta, la molla a spirale viene tesa dalla rotazione dell'albero di uscita. Durante il ciclo di chiusura, la forza accumulata della molla agisce nella direzione di chiusura. La forza della molla può essere regolata in modo che la forza sia adeguata a chiudere la porta quando viene azionata manualmente o in caso di gusto di alimentazione.

Per attivare l'automatismo, è possibile utilizzare un organo di impulso manuale (contatto a gomito) o un organo di impulso automatico (radar). È inoltre possibile, quando consentito dagli standard locali, attivare l'automatismo semplicemente spingendo la porta, se è selezionata l'opzione Push & Go.

Una volta attivata, la porta si apre e resta in tale posizione per un tempo determinato (Hold Open Time, HOT). Quando il tempo HOT è trascorso, la porta si chiude.

Il ASSA ABLOY SW200 può essere configurato con tre o quattro diverse modalità, in funzione del tipo di selettore di programma opzionale, vedere la tabella sotto.

In caso di utilizzo completamente manuale (o in caso di un'interruzione dell'alimentazione), ASSA ABLOY SW200 funziona come un normale chiudiporta.

Posizione	Funzione
 OFF	La porta è chiusa. La porta non può essere aperta con gli organi d'impulso interni ed esterni. La porta è bloccata se è montato un dispositivo di blocco elettromeccanico. La porta può essere aperta con un interruttore a chiave (se montato).
 USCITA	Passaggio solamente dall'interno. La porta è normalmente bloccata se è montato un dispositivo di blocco elettromeccanico. La porta può essere aperta solamente con l'organo d'impulso interno e con un interruttore a chiave (se montato).
 AUTO Posizione normale	La porta può essere aperta con gli organi di impulso manuali e/o automatici interni ed esterni. Se montato, l'incontro elettrico è aperto.
 APERTA	La porta viene mantenuta sempre aperta dal motore.

ASSA ABLOY SW200 Variazioni

ASSA ABLOY SW200 -SA-152X152:	Applicazione Surface Applied in testata larga 152 mm x 152 mm di altezza
ASSA ABLOY SW200 -OHC:	Applicazione OHC in testata larga 152 mm x 152 mm di altezza

Controlli di sicurezza regolari

Per contribuire alla soddisfazione dei requisiti nazionali e internazionali ed evitare sia i problemi di funzionamento che i rischi di infortuni, viene fornita la seguente checklist.



Evitare di utilizzare l'automatismo se sono necessarie regolazioni o riparazioni.
Scollegare l'alimentazione ^⑭ durante la pulizia o altri lavori di manutenzione.

Azione quotidiana		Se si verifica un problema	
Attivare l'automatismo e controllare <i>visivamente</i> eventuali danni ed il fissaggio di <ul style="list-style-type: none"> • automatismo ^① • sistema di bracci ^② • cavi ^③ • Interruttore di controllo ^④ • cerniere ^⑤ • porta e vetri ^⑥ 			
Inoltre ispezionare l'automatismo e controllare <i>visivamente</i> <ul style="list-style-type: none"> • la presenza di bordi taglienti sull'anta e sul telaio (se presente) della porta ^⑦ • le condizioni delle tenute della porta ^⑧ • la protezione dita ^⑨ • e, infine, che l'intera porta funzioni correttamente e si chiuda lentamente in modo uniforme 		 	
Impostare il selettore di funzionamento su OFF e controllare che l'automatismo e la serratura elettromeccanica (se presente) funzionino correttamente. Controllare inoltre che la serratura ^⑩ chiuda e blocchi la porta.			
Verificare gli eventuali organi di impulso manuali ^⑪ e camminare verso la porta. Controllare che la porta si sia aperta correttamente mentre si attraversa l'ingresso/l'uscita. Quindi applicare la stessa procedura agli organi di impulso automatici ^⑫ .			
Controllare i sensori di sicurezza ^⑬ , se presenti, stando nel percorso della porta a battente e attivando l'automatismo. La porta non deve colpire l'utente né all'apertura, né alla chiusura. In caso di dubbi relativi al tipo di sensore installato, rivolgersi al rappresentante ASSA ABLOY Entrance Systems.			
Ante apribili in caso di emergenza	Per legge, tali controlli devono essere effettuati regolarmente da personale tecnico.	Portare il selettore di programma sulla modalità AUTO. Spingere manualmente la porta nella direzione dell'apertura di emergenza e verificare che non ci siano oggetti o funzioni in grado di impedirne l'apertura. Inoltre, verificare che la via di fuga possa essere utilizzata senza ostacoli.	
Porte antincendio		Lasciar chiudere la porta dopo un impulso, garantendo che nulla impedisca alla porta di chiudersi e bloccarsi (se richiesto dalle regole).	



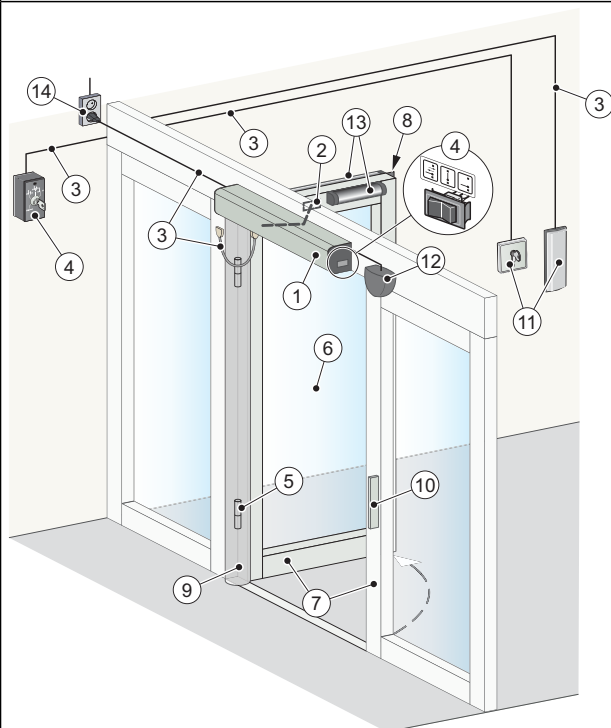
= Adottare le misure appropriate.



= Contattare il rappresentante ASSA ABLOY Entrance Systems. Per informazioni, vedere l'ultima pagina.

IT

ISPEZIONE FUNZIONALE E VISIVA



L'immagine visualizza l'opzione Surface Applied

PULIZIA

Il metodo migliore per rimuovere polvere e sporcizia dalla porta ASSA ABLOY SW200 è utilizzare un panno morbido o una spugna.

È possibile utilizzare un detergente delicato. Per mantenere la qualità del trattamento superficiale, le superfici devono essere pulite almeno tre volte all'anno. La pulizia deve essere documentata. Onde evitare danni ai profilati, le spazzole/i paraspifferi devono essere pulite/i settimanalmente

- Non trattare vetri, porte o profili con soluzioni alcaline. Sia il vetro che l'alluminio sono sensibili agli alcali.
- Non pulire con acqua ad alta pressione. L'automatismo, il selettore della modalità e il sensore possono danneggiarsi, mentre l'acqua può penetrare nei profili.
- Non utilizzare detergenti abrasivi.
- Per evitare danni meccanici, non strofinare con materiali tipo Scotch-brite ecc.

SEGNALETICA



L'immagine visualizza l'opzione Surface Applied

Azione		Se si verifica un problema
Controllare che tutta la segnaletica richiesta sia stata affissa e sia intatta. Obbligatorio indica che la segnaletica è richiesta dalle Direttive europee e da equivalenti norme nazionali al di fuori dell'Unione Europea.		
(A)	Etichetta prodotto: Obbligatoria	
(B)	Sistema antipanico d'emergenza: Obbligatorio, se approvato per la via di fuga.	
(C)	ASSA ABLOY Entrance Systems Adesivo per porte: Obbligatorio, se applicabile, per segnalare la presenza del vetro (affisso su tutte le sezioni mobili in vetro).	
(D)	Supervisione bambini (applicato su entrambi i lati della porta): Obbligatorio in base alle normative nazionali. Consigliato quando l'analisi dei rischi dimostra l'utilizzo anche da parte di bambini.	
(E)	Automatismo progettato per i disabili: Consigliato, se applicabile (applicato su entrambi i lati della porta).	
(F)	Dispositivo di attivazione per diversamente abili: Consigliato, se applicabile.	
(G)	Ingresso vietato, identificante traffico ad una via: Obbligatorio nel Regno Unito e negli Stati Uniti, se applicabile; non in dotazione al prodotto.	
(H)	Automatic door	
(J)	Tenere sgombro	
(K)	Etichetta SITAC: Obbligatoria in SE	



= Rivolgersi al rappresentante dell'assistenza ASSA ABLOY Entrance Systems. Per informazioni, vedere l'ultima pagina.

Accessori generali

- Interruttore di controllo ④, [vedere a pagina 152](#)
- Blocco elettrico ⑩, [vedere pagina 152](#)
- Interruttore a chiave ⑪, [vedere pagina 152](#)
- Contatto a gomito ⑪, [vedere pagina 152](#)
- Radar ⑫, [vedere pagina 152](#)
- Trasmettitori wireless (non illustrati)
- Controllo dell'accesso (non illustrato)
- Fermo porta (non illustrato)

Accessori di sicurezza

- Sensori di sicurezza ⑬, [vedere pagina 152](#).
- Protezione per le dita ⑨, [vedere pagina 152](#).

Risoluzione dei problemi

Qual'è il problema?	Rimedi
La porta non si apre	
Il motore non si avvia	Cambiare l'impostazione del selettore della modalità. (Vedere a pagina150).
	Controllare che non vi siano oggetti nella zona di rilevamento, se è montato un sensore.
	Controllare l'alimentazione di rete e il relativo fusibile dell'edificio.
Il motore parte, ma la porta o le porte non si aprono	Sbloccare le serrature meccaniche.
	Controllare che non vi sia nulla incastrato sotto la porta.
La porta non si chiude	Cambiare l'impostazione del selettore della modalità. (Vedere a pagina150).
	Controllare che non vi siano oggetti nella zona di rilevamento, se è montato un sensore.
	Controllare che non vi sia nulla incastrato sotto la porta.
La porta si apre e chiude di continuo	Controllare che non vi siano oggetti in movimento a meno di 1-1,5 m dalla porta, se è montato un organo di impulso automatico.
Se il problema persiste, rivolgersi al rappresentante ASSA ABLOY Entrance Systems.	

Assistenza/Manutenzione

Gli interventi di assistenza e regolazione eseguiti dal centro di assistenza autorizzato ASSA ABLOY Entrance Systems garantiscono un funzionamento corretto e sicuro della porta automatica.

Tenere i documenti "Registro di assistenza" e "Prova di accettazione e Valutazione dei rischi" (PRA-0007) sempre a disposizione. Essi vengono utilizzati insieme.

La tabella riportata di seguito mostra l'intervallo consigliato, in mesi, di sostituzione delle parti durante la manutenzione preventiva. Rivolgetevi al rappresentante ASSA ABLOY Entrance Systems per saperne di più sulla nostra offerta di assistenza.

Parte	Codice articolo	Cicli/ore di funzionamento			Ambiente inappropriato
		<10	<100	>100	
		Traffico scarso	Traffico medio	Traffico elevato	
Kit di ricambio bracci PUSH	330000271 SI/BK	24	12	6	6
Kit di ricambio braccio di tiro PULL	330000272 SI/BK	24	12	6	6
Kit bracci di arresto	330000276	24	12	6	6
Kit microinterruttore	330000275	24	12	6	6
Kit adattatore	330000270 SI/BK	24	12	6	6
Unità di trasmissione	331007291	60	60	60	60
Quadro elettrico CU-200 con schede EXU	331008346	60	60	60	60
Batteria	33738753	24	24	24	24

Altri prodotti di ASSA ABLOY Entrance Systems

- Ingressi completi
- Porte basculanti
- Lame d'aria
- Porte girevoli
- Porte scorrevoli
- Organi d'impulso automatici e manuali
- Portoni sezionali
- Portoni telati a sollevamento verticale
- Pedane di carico
- Portali di carico
- Portoni a libro
- Porte a scorrimento veloce
- Loadhouse
- Assistenza, come manutenzione preventiva e programmi di aggiornamento, riparazioni di emergenza, servizio consulenza e gestione porte

Noi **ASSA ABLOY Entrance Systems AB**
Lodjurgatan 10
SE-261 44 Landskrona
Sweden

dichiariamo sotto la nostra esclusiva responsabilità che il tipo di apparecchiatura:
SW200

è conforme alle seguenti direttive:

Direttiva sulla Compatibilità Elettromagnetica (EMCD) 2014/30/UE

Direttiva Macchine 2006/42/EC (MD)

Direttiva 2011/65/UE sulla restrizione dell'uso di determinate sostanze pericolose nelle apparecchiature elettriche ed elettroniche (RoHS), con le modifiche applicabili

Sono stati applicati i seguenti standard europei armonizzati:

EN ISO 13849-1:2015

EN 60335-1:2012+A11:2014

EN 60335-2-103:2015

EN 61000-6-2:2005

EN 61000-6-3:2007+A1:2011

EN 16005:2012/AC:2015

Altre normative o specifiche tecniche applicate:

FCC 47 CFR Part 15 B

UL 325

IEC 60335-1 ed 5:2010

IEC 60335-2-103: ed. 2.1:2011

EN 1634-1:2008

Certificato emesso da un ente notificato o competente (per l'indirizzo completo, rivolgersi ad
ASSA ABLOY Entrance Systems AB) relativo all'apparecchio:

SC0072-14

UL File E47833

UL File R9469

Il processo produttivo garantisce che l'apparecchiatura sia conforme al fascicolo tecnico. Il processo produttivo viene regolarmente valutato da un organismo indipendente.

Il marchio CE è stato applicato in origine il 2013-11-04.

Compilazione del file tecnico:

Anders Forslind

ASSA ABLOY Entrance Systems AB

Lodjurgatan 10

SE-261 44 Landskrona

Sweden

Luogo
Landskrona

Data
2021-04-16

Firma
Klas Hagelin

Posizione
Global Quality Manager



ASSA ABLOY Entrance Systems è fornitore leader di soluzioni di automazione degli ingressi per un flusso efficiente di persone e mezzi. Il successo consolidato di marchi come Besam, Crawford, Albany e Megadoor è la base da cui partiamo per offrire le nostre soluzioni sotto il marchio ASSA ABLOY. I nostri prodotti e servizi sono sviluppati per soddisfare le necessità degli utenti finali in termini di sicurezza, protezione, praticità, estetica e sostenibilità. ASSA ABLOY Entrance Systems è una divisione di ASSA ABLOY.

assaabloyentrance.it



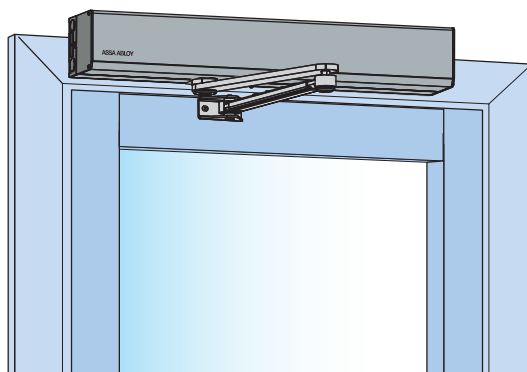
ASSA ABLOY Entrance Systems

Tel:+39 (0)35 696 951
info.it.aaes@assaabloy.com
assaabloyentrance.it

Draaideuropener ASSA ABLOY SW200

Gebruikshandleiding

Originele instructies



NL

INHOUDSOPGAVE

Instructies voor veilig gebruik	161
Veel plezier met uw nieuwe automatische deur!	163
Storing van ontvangst door elektronische apparatuur	163
Milieuevereisten	163
Productaansprakelijkheid	163
Garantie	164
Service	164
Bedoeld gebruik	165
Technische gegevens	165
De werking van de ASSA ABLOY SW200	166
ASSA ABLOY SW200 Variaties	166
Periodieke veiligheidscontroles	167
Algemene accessoires	171
Veiligheidsaccessoires	171
Opsporen van storingen	171
Service/onderhoud	172
Andere producten van ASSA ABLOY Entrance Systems	172
Verklaring van Conformiteit	173

ASSA ABLOY als woord en als logo is een handelsmerk van de ASSA ABLOY Group

© ASSA ABLOY Entrance Systems, 2021

Technische gegevens kunnen zonder kennisgeving worden gewijzigd.

Instructies voor veilig gebruik



- Het niet naleven van de informatie in deze handleiding kan persoonlijke verwondingen of schade aan de apparatuur tot gevolg hebben.
- Om het risico op lichamelijk letsel te verkleinen, dient u deze deuropener alleen te gebruiken in combinatie met enkele of dubbele draai- of vouwdeuren voor voetgangers.
- Gebruik de installatie niet als deze moet worden gerepareerd of bijgesteld.
- Koppel de netvoeding los voordat u reinigings- of andere werkzaamheden gaat uitvoeren.
- Kinderen vanaf 8 jaar kunnen de deur gebruiken, mits ze hiertoe zijn geïnstrueerd door iemand die verantwoordelijk is voor hun veiligheid.
- Kinderen tot 8 jaar kunnen de deur gebruiken onder toezicht van iemand die verantwoordelijk is voor hun veiligheid.
- Personen met lichamelijke, zintuiglijke of mentale beperkingen kunnen de deur gebruiken, mits ze hiertoe zijn geïnstrueerd door iemand die verantwoordelijk is voor hun veiligheid.
- Kinderen mogen geen reinigings- en onderhoudswerkzaamheden uitvoeren.
- Laat niemand met de deur, de vaste besturingselementen of afstandsbedieningen spelen.

- De deuren kunnen automatisch worden bediend met sensoren of handmatig met impulsgevers, en kunnen daarnaast ook handmatig als deurdranger worden gebruikt.

Veel plezier met uw nieuwe automatische deur!

ASSA ABLOY Entrance Systems AB ontwikkelt al meer dan 50 jaar automatische deuren. De modernste technologie en zorgvuldig geteste materialen en onderdelen staan garant voor een voortreffelijk product.

Net als alle technische producten heeft uw automatische deur onderhoud en service nodig. Het is van groot belang dat u uw automatische deur(systeem) kent en dat onderhoud wordt uitgevoerd in overeenstemming met de toepasselijke veiligheidsnormen.

De erkende leverancier van ASSA ABLOY Entrance Systems in uw regio is vertrouwd met deze normen, evenals met alle plaatselijke voorschriften en aanbevelingen van ASSA ABLOY Entrance Systems voor elektrisch bestuurd deuren voor voetgangers. Een veilige en juiste werking van uw deur wordt gegarandeerd door onderhoudswerkzaamheden en afstellingen die door uw erkende ASSA ABLOY Entrance Systems-leverancier worden uitgevoerd.

Storing van ontvangst door elektronische apparatuur

Het apparaat genereert en benut mogelijk energie van radiofrequenties en wanneer het niet op de juiste wijze wordt geïnstalleerd en gebruikt, is storing van radio- en tv-ontvangst of andere soorten radiofrequenties mogelijk.

Storingen kunnen ook ontstaan als andere apparatuur niet volledig voldoet aan de immuniteitsvoorschriften.

Een eventuele storing in een bepaalde installatie kan niet worden uitgesloten. Indien dit apparaat toch storing van radio- of tv-ontvangst veroorzaakt, wat kan worden vastgesteld door het apparaat aan en uit te zetten, wordt geadviseerd dit te verhelpen door een of meer van de volgende maatregelen:

- Opnieuw richten van de ontvangantenne.
- Verplaatsen van de ontvanger ten opzichte van het apparaat.
- Ontvanger verder van het apparaat plaatsen.
- Aansluiten van de ontvanger op een andere contactdoos zodat apparaat en ontvanger op verschillende stroomcircuits zijn aangesloten.
- Controleren of de beschermende aardekabel (PE) aangesloten is.

Indien nodig dient de gebruiker voor verdere suggesties de verkoper of een ervaren elektromonteur te raadplegen.

Milieueisen

ASSA ABLOY Entrance Systems Producten zijn voorzien van elektronica en kunnen ook worden voorzien van accu's, die materialen bevatten die schadelijk zijn voor het milieu. Schakel altijd de netvoeding uit voordat u elektronica en accu's verwijdert, en zorg dat zowel deze elektronica en accu's als het verpakkingsmateriaal op de juiste manier en volgens de plaatselijke regelgeving worden afgevoerd.

Productaansprakelijkheid

Volgens de richtlijnen is de eigenaar of gebruiker van het product verantwoordelijk voor het volgende:

- dat de apparatuur juist werkt zodat de veiligheid en gezondheid in voldoende mate worden beschermd
- dat de apparatuur wordt bediend en regelmatig wordt onderhouden en geïnspecteerd door iemand die aantoonbaar op de hoogte is met de apparatuur en toepasselijke voorschriften
- dat het meegeleverde servicelogboek en de installatieacceptatietest- en risicobeoordelingsdocumenten (PRA-0007) beschikbaar worden gehouden voor het noteren van onderhouds- en servicegegevens
- dat inspectie zich ook uitstrekt tot de noodopeningsfunctie (indien aanwezig)

- Zorg dat de sluitkracht past bij de deurgrootte van goedgekeurde branddeursystemen (indien van toepassing)

Garantie

ASSA ABLOY Entrance Systems geeft op zijn producten vanaf de datum van levering een garantie van 12 maanden voor fabrieks- en materiaalfouten mits de producten worden gebruikt en onderhouden zoals is bedoeld. Deze garantie geldt alleen voor de oorspronkelijke koper van de apparatuur. ASSA ABLOY Entrance Systems garandeert dat de software toereikend functioneert in overeenstemming met de functionele beschrijvingen hiervan en dat deze software is opgenomen op niet-defecte media.

De ASSA ABLOY Entrance Systems-garantie is niet van toepassing op

- Het foutloos zijn of zonder onderbreking werken van de software
- Algemene slijtage van het systeem
- Gesprongen zekeringen, wegwerpbatterijen en glasschade
- Systeemafwijkingen die worden veroorzaakt door een andere installateur dan van ASSA ABLOY Entrance Systems
- Een systeem dat gewijzigd of beschadigd is door vandalisme of verkeerd gebruik
- Een systeem waaraan andere onderdelen zijn toegevoegd dan originele merkonderdelen/reserveonderdelen van ASSA ABLOY Entrance Systems
- Onnodige bezoeken vanwege een slechte communicatie door de klant (een deur werkt wanneer onze technicus arriveert, reset, stroomuitval)
- Afstellingen (sluit- en openingssnelheid en ook detectiezone sensors) op verzoek van klanten (met uitzondering van mogelijk gevaarlijke afstellingen)
- Waterschade
- Slechte weersomstandigheden
- Schade die, direct of indirect, wordt veroorzaakt door een omstandigheid buiten de macht van het bedrijf in kwestie binnen ASSA ABLOY Entrance Systems, zoals arbeidsconflicten, brand, natuurrampen, oorlog, uitgebreide militaire mobilisatie, opstand, vordering, beslaglegging, embargo, beperkingen aan het gebruik van stroom en defecten of vertragingen met betrekking tot leveringen door subleveranciers die door dergelijke omstandigheden worden veroorzaakt

Let op:

- De garantie is mogelijk niet langer geldig als de aanbevelingen van de fabrikant ten aanzien van zorg en onderhoud niet worden opgevolgd.
- Door ASSA ABLOY Entrance Systems erkende wederverkopers mogen deze garantie alleen geven aan eindgebruikers, maar zijn niet bevoegd namens ASSA ABLOY Entrance Systems een grotere of andere garantie te geven.
- Door een serviceovereenkomst met ASSA ABLOY Entrance Systems af te sluiten, zorgt u ervoor dat het systeem altijd volledig operationeel is en dat snel hulp kan worden ingeroepen, zodat de uitvaltijd tot een minimum wordt beperkt.

Service

Controles dienen regelmatig te worden uitgevoerd door daartoe getraind en bevoegd personeel. Deze controles moeten conform de landelijke regelgeving (of indien deze ontbreekt, conform de in de branche geldende normen) worden uitgevoerd. Dit is vooral van belang voor goedgekeurde branddeuren en deuren met een vluchtwegfunctie. Om de levensduur van uw investering te verlengen en een veilige en betrouwbare werking van de deur te garanderen, raden we u aan afhankelijk van het gebruik en de bedieningsomstandigheden minimaal twee onderhoudsbeurten per jaar te laten uitvoeren. Ook milieuaspecten moeten in het oog worden gehouden.

ASSA ABLOY Entrance Systems Uw entree is het visitekaartje van uw bedrijf. Deze moet dus altijd goed werken. biedt u onderhouds- en moderniseringsoplossingen waar u op kunt vertrouwen. Wij

bieden onderhoudsprogramma's en moderniseringsdiensten voor automatische deuren op basis van onze jarenlange ervaring met alle types en merken voetgangers- en industriële deuren en laadperrons. Onze gespecialiseerde onderhouds- en servicetechnici zorgen al decennia lang voor tevreden klanten. En ook voor u staan ze altijd klaar.

Bedoeld gebruik

De ASSA ABLOY SW200 is een draaideurautomaat die is ontwikkeld om het leven gemakkelijk te maken voor iedereen die het comfort wil ervaren van automatische deuren. De ASSA ABLOY SW200 is een low-energy draaideurautomaat die met behulp van een DC-motor en een tandwielvertragingssysteem een armsysteem aanstuurt dat de deur opent. De deuropener wordt binnen gemonteerd en is geschikt voor bijna alle soorten buiten- en binnendeuren. Deze deuropener wordt vooral veel gebruikt in de gezondheidszorg, woonhuizen, kantoren en openbare gebouwen.

De deur is zodanig ontworpen dat deze continu kan worden gebruikt, een hoge mate van veiligheid biedt en lang meegaat. Het systeem stelt zichzelf in op de effecten van normale variaties in de weersomstandigheden en op kleine wrijvingsveranderingen als gevolg van bijvoorbeeld stof en vuil. In noodsituaties worden de deuren handmatig geopend.

Voor informatie over installatie en onderhoud raadpleegt u Installatie- en servicehandleiding 1009728 voor opbouwtoepassingen en 1009936 voor inbouwtoepassingen.

Bewaar deze instructies voor naslag op een later tijdstip.

Technische gegevens

Fabrikant:	ASSA ABLOY Entrance Systems AB
Adres:	Lodjursgatan 10, SE-261 44 Landskrona, Sweden
Type:	ASSA ABLOY SW200
Netvoeding:	100-240 V AC +10/-15%, 50/60 Hz
Stroomverbruik:	Max. 300 W
Beschermingsklasse:	IP20
Geluidsdruk:	$L_{pa} \leq 70 \text{ dB}(A)$
Goedkeuringen:	Onafhankelijke goedkeuringen van erkende certificeringsorganisaties geldig voor veiligheid in gebruik, zie Verklaring van conformiteit.

NL

De werking van de ASSA ABLOY SW200

De draaideuropener ASSA ABLOY SW200 maakt gebruik van een DC-motor, die is aangesloten op de uitvoeras met behulp van een combinatie van een kegeltandwiel en rechte tandwielen. In een opbouwsysteem wordt de deur geopend door het armsysteem dat is aangesloten op de uitgaande as.





Er is ook een instelbaar veermechanisme aangesloten op de uitvoeras. Tijdens het openen van de deur wordt de klokveer opgespannen door de rotatie van de uitvoeras. Tijdens het sluiten werkt de verzamelde veerkracht in de sluitrichting. De veerkracht kan worden aangepast om een juiste sluitkracht voor de deur te verkrijgen in geval van handmatige bediening of bij een stroomstoring.

U kunt de opener activeren met een handmatige impulsgever (elleboogschakelaar) of een automatische impulsgever (radar sensor). Het is ook mogelijk om – als de plaatselijke voorschriften dat toestaan – de opener te activeren door gewoon tegen de deur te duwen, indien 'push-and-go' geselecteerd is.

Nadat de deur is geactiveerd, gaat deze open en blijft deze gedurende een opgegeven openhoudtijd (HOT - Hold Open Time) geopend. De deur sluit als de HOT verstreken is.

Afhankelijk van het type programmaschakelaar kan de ASSA ABLOY SW200 in drie of vier verschillende standen worden ingesteld. Zie de onderstaande tabel.

Bij volledig handmatig gebruik (of bij stroomuitval) functioneert de ASSA ABLOY SW200 als een normale deurdranger.

Positie	Functie
 UIT	De deur is gesloten. De deur kan niet worden geopend met de interne en externe activeringseenheden. De deur is vergrendeld als er een elektromechanische grendelinrichting is aangebracht. De deur kan in noodgevallen worden geopend met een sleutelschakelaar (indien gemonteerd).
 UITGANG	Eenrichtingsverkeer vanaf binnenzijde. De deur is normaal vergrendeld als er een elektromechanische grendelinrichting is aangebracht. De deur kan alleen worden geopend met de interne activeringseenheid en met een sleutelschakelaar (indien gemonteerd).
 AUTO Normale stand	De deur kan worden geopend met de interne en externe handmatige en/of automatische impulsgevers. De elektromechanische grendelinrichting, indien aangebracht, is ontgrendeld.
 OPEN	De deur wordt permanent opgehouden door de motor.

ASSA ABLOY SW200 Variaties

ASSA ABLOY SW200 -SA-152X152:	Opbouwtoepassing voor koof met breedte 152 mm x hoogte 152 mm
ASSA ABLOY SW200 -OHC:	Inbouwtoepassing voor koof met breedte 152 mm x hoogte 152 mm

Periodieke veiligheidscontroles

U dient zich te houden aan de nationale en internationale richtlijnen en u moet voorkomen dat storingen optreden en personen letsel oplopen. Om u daarbij te helpen, hebben wij de checklist hieronder opgesteld.



Gebruik de deuropener niet als deze moet worden gerepareerd of bijgesteld. Koppel de netvoeding los ¹⁴ voordat u reinigings- of andere werkzaamheden gaat uitvoeren.

Dagelijkse handeling		Indien zich een probleem voor doet
Activeer de deuropener en controleer <i>visueel</i> de bevestiging van en eventuele schade aan <ul style="list-style-type: none"> • deuropener ¹ • armsysteem ² • de bekabeling ³ • Programmaschakelaar ⁴ • scharnieren ⁵ • deur en glas ⁶ 		
Controleer bij uw deuropener ook <i>visueel</i> <ul style="list-style-type: none"> • scherpe randen aan de deurvleugel en het kozijn (indien aanwezig) ⁷ • de staat van de afdichtingen ⁸ • of de vingerbescherming in orde is ⁹ • en tot slot of de deur in zijn geheel op soepele wijze goed functioneert en langzaam sluit 		
Zet de programmaschakelaar in de stand UIT en controleer of de deuropener en de elektromechanische vergrendeling (indien gemonteerd) gezamenlijk goed werken. Controleer ook of het slot ¹⁰ de deur inderdaad vergrendelt.		
Activeer de handmatige impulsgevers ¹¹ indien deze aanwezig zijn, en loop naar de deur. Controleer of de deur in voldoende mate wordt geopend als u door de in/uitgang wandelt. Doe hetzelfde met de automatische impulsgevers ¹² .		
Controleer de veiligheidssensoren ¹³ , indien deze aanwezig zijn, door in de draaicirkel te gaan staan en activeer de deuropener. U mag tijdens het openen of sluiten niet door de deur worden geraakt. Neem contact op met uw ASSA ABLOY Entrance Systems-leverancier als u niet weet welk type sensor u hebt.		
Nooddeuren	De wet vereist dat deze tests regelmatig worden uitgevoerd door getraind personeel.	Zet de programmaschakelaar in de stand AUTO. Duw de deur handmatig in de vluchtrichting en overtuig u ervan dat er geen object of functie is die verhindert dat de deur opengaat. Controleer ook of de vluchtroute vrij kan worden gebruikt.
Branddeuren		



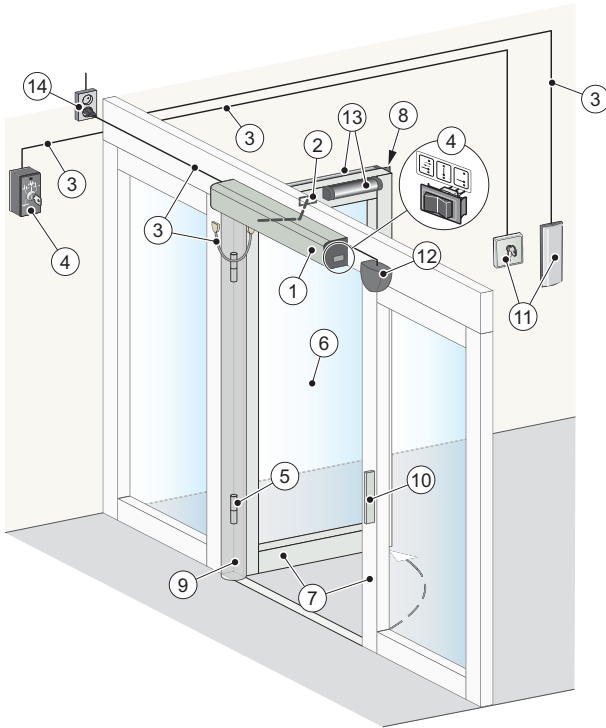
= Neem passende maatregelen.



= Neem contact op met uw ASSA ABLOY Entrance Systems-leverancier. Raadpleeg de laatste pagina voor contactinformatie.

NL

FUNCTIE EN VISUELE INSPECTIE



Opbouwtoepassing weergegeven

Reinigen

Stof en vuil verwijdert u het best van de ASSA ABLOY SW200 met water en een zachte doek of spons. U kunt een zacht schoonmaakmiddel gebruiken. Om de kwaliteit van de oppervlakken te behouden, moeten die elke vier maanden worden schoongemaakt. Het is raadzaam om die schoonmaakbeurten te documenteren. Om schade aan de profielen te voorkomen, moeten de borstels/tochtstrips elke week


- Gebruik op ramen, deuren of profielen geen alkalische middelen. Zowel aluminium als glas is gevoelig voor alkali.
- Maak onderdelen niet schoon met water uit een hogedrukspuit. De deuropener, modusschakelaar en sensor kunnen anders beschadigd raken en water kan de profielen binnendringen.
- Gebruik geen schurende reinigingsmiddelen.
- Schrob onderdelen niet met materialen als Scotch-brite, omdat dit mechanische schade veroorzaakt.


LABELS EN SYMBOLEN



Opbouwtoepassing weergegeven

NL

Actie		Indien zich een probleem voor doet
Controleer of alle labels zijn aangebracht en intact zijn. Verplicht wil zeggen dat de labels zijn voorgeschreven door Europese richtlijnen en gelijkwaardige nationale wetgeving buiten de Europese Unie.		
(A)	Productlabel: verplicht	
(B)	Noodopening: verplicht, indien goedgekeurd voor vluchtroutes.	
(C)	ASSA ABLOY Entrance Systemsdeursticker: verplicht, indien van toepassing; om het glas duidelijk zichtbaar te maken (aan te brengen op alle bewegende glazen onderdelen).	
(D)	Kinderen onder toezicht (aan te brengen aan beide zijden van de deur): Verplicht overeenkomstig landelijke regelgeving. Aanbevolen indien een risicoanalyse laat zien dat de deur vaak zal worden gebruikt door kinderen.	
(E)	Deuropener ontworpen voor mindervaliden: aanbevolen, indien van toepassing (aan te brengen aan beide zijden van de deur).	
(F)	Activering door mindervaliden: aanbevolen, indien van toepassing.	
(G)	Geen toegang, om eenrichtingsverkeer aan te duiden: Verplicht in Groot-Brittannië en de VS, indien van toepassing, niet in het product meegeleverd.	
(H)	Automatic door	
(J)	Deurgebied vrijhouden	
(K)	SITAC-label: verplicht in SE	

 = Neem contact op met uw ASSA ABLOY Entrance Systems-leverancier. Raadpleeg de laatste pagina voor contactinformatie.

Algemene accessoires

- Programmaschakelaar ④, zie pagina 168
- Elektrische vergrendeling ⑩, zie pagina 168
- Sleutelschakelaar ⑪, zie pagina 168
- Elleboogschakelaar ⑪, zie pagina 168
- Radar ⑫, zie pagina 168
- Draadloze zenders (niet afgebeeld)
- Toegangscontrole (niet afgebeeld)
- Deuraanslag (niet afgebeeld)

Veiligheidsaccessoires

- Veiligheidssensors ⑬, zie pagina 168.
- Vingerbescherming ⑨, zie pagina 168.

Opsporen van storingen

Wat is er aan de hand?	Oplossingen
De deur gaat niet open	
De motor start niet	Verander de instelling van de modusschakelaar. (Zie pagina 166).
	Controleer of er geen objecten in de detectiezone staan als daar een sensor is aangebracht.
	Controleer netspanning en zekeringen in het gebouw.
De motor start maar de deur of deuren gaan niet open	Ontgrendel de mechanische vergrendelingen.
	Controleer of er niets onder de deur vastzit.
De deur gaat niet dicht	Verander de instelling van de modusschakelaar. (Zie pagina 166).
	Controleer of er geen objecten in de detectiezone staan als daar een sensor is aangebracht.
	Controleer of er niets onder de deur vastzit.
De deur gaat constant open en dicht	Controleer of er geen bewegende objecten binnen 1-1,5 m van de deur zijn als er een automatische impulsgever is aangebracht.
Neem contact op met uw ASSA ABLOY Entrance Systems-leverancier als het probleem aanhoudt.	

Service/onderhoud

Een veilige en juiste werking van uw automatische deuropener wordt gegarandeerd door onderhoudswerkzaamheden en afstellingen die door uw erkende ASSA ABLOY Entrance Systems-leverancier worden uitgevoerd.

Houd het Servicelogboek en de installatieacceptatietest- en risicobeoordelingsdocumenten (PRA-0007) bij de hand. Deze documenten worden gezamenlijk gebruikt.

In de onderstaande tabel vindt u het aanbevolen interval (in maanden) voor het vervangen van onderdelen bij preventief onderhoud. Neem contact op met uw ASSA ABLOY Entrance Systems-vertegenwoordiger voor meer informatie over onze service.

Onderdeel	Onderdeelnummer	Cycli / uren in werking			Ruwe omgeving
		<10	<100	>100	
		Weinig verkeer	Gemiddeld verkeer	Veel verkeer	
Servicekit PUSH-arm	330000271 SI/BK	24	12	6	6
Servicekit voor PULL-arm	330000272 SI/BK	24	12	6	6
Deurstoppakket	330000276	24	12	6	6
Microschakelaarset	330000275	24	12	6	6
Verbindingsset	330000270 SI/BK	24	12	6	6
Aandrijfteenheid	331007291	60	60	60	60
Besturingseenheid CU-200 met EXU-prints	331008346	60	60	60	60
Accu	33738753	24	24	24	24

Andere producten van ASSA ABLOY Entrance Systems

- Deursystemen
- Balansdeuren
- Luchtgordijnen
- Roterende deuren
- Schuifdeuren
- Automatische en handmatige activeringseenheden
- Sectionale overheaddeuren
- Onderhoudswerkzaamheden zoals preventief onderhoud en upgradeprogramma's, noodreparaties, onderhoudsadvies en deurbeheer
- Hangardeuren
- Dock levelers
- Dock shelters
- Vouwdeuren
- Snelloopdeuren
- Laadhuizen

Wij **ASSA ABLOY Entrance Systems AB**
Lodjursgatan 10
SE-261 44 Landskrona
Sweden

verklaren onder onze exclusieve verantwoordelijkheid dat het apparaattype:
SW200

aan de volgende normen voldoet:

Elektromagnetische compatibiliteit 2014/30/EC (EMCD)

Machinerichtlijn 2006/42/EC (MD)

2011/65/EU betreffende beperking van het gebruik van bepaalde gevaarlijke stoffen in elektrische en elektro-nische apparatuur met de toepasselijke wijzigingen (RoHS)

Geharmoniseerde Europese normen die van toepassing zijn:

EN ISO 13849-1:2015

EN 60335-1:2012+A11:2014

EN 60335-2-103:2015

EN 61000-6-2:2005

EN 61000-6-3:2007+A1:2011

EN 16005:2012/AC:2015

Andere normen of technische specificaties die van toepassing zijn:

FCC 47 CFR Part 15 B

UL 325

IEC 60335-1 ed 5:2010

IEC 60335-2-103: ed. 2.1:2011

EN 1634-1:2008

certificaat met betrekking tot de apparatuur is uitgegeven door een aangewezen of bevoegde instantie (neem contact op met ASSA ABLOY Entrance Systems AB voor volledige adresgegevens):

SC0072-14

UL File E47833

UL File R9469

Het fabricageproces is zodanig uitgevoerd dat de apparatuur in overeenstemming is met het technisch dossier. Het productieproces wordt regelmatig door een 3e partij beoordeeld.

Het CE-keurmerk is voor het eerst aangebracht op 2013-11-04.

Samenstelling van technisch dossier:

Anders Forslind

ASSA ABLOY Entrance Systems AB

Lodjursgatan 10

SE-261 44 Landskrona

Sweden

Plaats
Landskrona

Datum
2021-04-16

Handtekening
Klas Hagelin

Positie
Global Quality Manager



ASSA ABLOY Entrance Systems is een toonaangevende leverancier van automatische toegangssystemen voor een efficiënte stroom van personen en goederen. Voortbouwend op de succesvolle geschiedenis van de merken Besam, Crawford, Albany en Megadoor bieden we onze oplossingen aan onder het merk ASSA ABLOY. We bieden producten en diensten aan met als doel te voorzien in veilige, beveiligde, comfortabele en duurzame oplossingen. ASSA ABLOY Entrance Systems is een divisie van ASSA ABLOY.

assaabloyentrance.nl

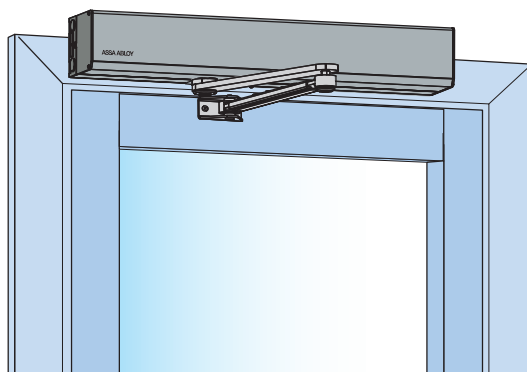


ASSA ABLOY Entrance Systems

Tel.: +31 880 595 500
info.nl.aaes@assaabloy.com
assaabloyentrance.nl

Slagdøråpner ASSA ABLOY SW200

Brukerhåndbok Originale instruksjoner



NO

INNHold

Anvisninger for sikker drift	177
Gratulerer med din nye automatiske!	178
Forstyrrelser på mottak til elektronisk utstyr	178
Miljøkrav	178
Produktansvar	178
Garanti	179
Service	179
Tiltenkt bruk	180
Teknisk spesifikasjon	180
Slik fungerer ASSA ABLOY SW200	181
ASSA ABLOY SW200 Varianter	181
Jevnlige sikkerhetskontroller	182
Generelt ekstrautstyr	185
Sikkerhetsutstyr	185
Feilsøking	185
Service og vedlikehold	186
Andre produkter fra ASSA ABLOY Entrance Systems	186
Samsvarserklæring	187

ASSA ABLOY som ord og logo er varemerker for ASSA ABLOY Group

© ASSA ABLOY Entrance Systems, 2021

**Tekniske spesifikasjonene kan endres uten forvarsel.*

Anvisninger for sikker drift



- Hvis du unnlater å følge informasjonen i håndboken, kan dette føre til personskade eller skade på utstyret.
- For å redusere faren for personskader - bruk denne døråpneren bare med enkle eller doble slag- eller foldedører.
- Ikke bruk utstyret hvis det krever reparasjon eller justering.
- Koble fra strømmen når det skal utføres rengjøring eller annet vedlikehold.
- Døråpneren kan brukes av barn over 8 år hvis de har fått anvisninger av en person som er ansvarlig for deres sikkerhet.
- Døråpneren kan brukes av barn på 8 år eller mindre hvis de er under oppsyn av en person som er ansvarlig for deres sikkerhet.
- Døråpneren kan brukes av funksjonshemmede personer hvis de har fått anvisninger av en person som er ansvarlig for deres sikkerhet.
- Rengjøring og vedlikehold skal ikke utføres av barn.
- Ikke la noen klatre på eller leke med døren eller de faste betjeningsorganene/fjernkontrollene.
- Døren kan betjenes automatisk ved hjelp av sensorer eller manuelt ved hjelp av aktuatorer. Den kan også brukes manuelt som dørlukker.

Gratulerer med din nye automatiske!

ASSA ABLOY Entrance Systems AB har utviklet automatiske dører i mer enn 50 år. Det aller nyeste innen teknologi og grundig testede materialer og komponenter sørger for at du får et førsteklasses produkt.

Som med alle andre tekniske produkter krever en automatisk dør regelmessig vedlikehold og service. Det er viktig at du har god kjennskap til den automatiske dørens systemer, og at du også vet hvordan den skal vedlikeholdes i overensstemmelse med gjeldende sikkerhetsregler.

Din lokale ASSA ABLOY Entrance Systems- autoriserte forhandler kjenner disse standardene samt alle gjeldende lokale regler og ASSA ABLOY Entrance Systems anbefalinger vedrørende strøm-drevne gangdører. Service og justeringer utført av din ASSA ABLOY Entrance Systems- autoriserte forhandler vil sikre at den automatiske døren fungerer som den skal og er trygg å bruke.

Forstyrrelser på mottak til elektronisk utstyr

Utstyret kan generere og bruke radiofrekvensenergi og kan, hvis det ikke blir riktig installert og brukt, føre til interferens med radio, TV-mottak eller systemer med andre radiofrekvenstyper.

Hvis annet utstyr ikke oppfyller kravene til immunitet hundre prosent, kan det forekomme forstyrrelser.

Det er ingen garanti for at interferens ikke vil forekomme i en spesiell installasjon. Hvis utstyret forårsaker interferens på radio- eller TV-signaler, som kan fastslås ved å slå utstyret av og på, oppfordres brukeren til å forsøke å korrigere interferensen gjennom ett eller flere av de følgende tiltakene:

- Drei mottakerantennen.
- Flytt mottakeren til et annet sted i forhold til utstyret.
- Flytt mottakeren lenger bort fra utstyret.
- Koble mottakeren til en annen stikkontakt, slik at utstyret og mottakeren går på forskjellige strømkurser.
- Kontroller at jordkabelen (PE) er koblet til.

Om nødvendig kan du kontakte forhandleren eller en erfaren elektronikktekniker og be om flere forslag.

Miljøkrav

ASSA ABLOY Entrance Systemsprodukter er utstyrt med elektronikk og kan dessuten være utstyrt med batterier som inneholder materialer som er skadelige for miljøet. Koble fra strømmen før du fjerner elektronikk og batterier, og sørg for å avhende disse forsvarlig i henhold til lokale bestemmelser (hvordan og hvor), på samme måte som med emballasjen.

Produktansvar

I henhold til gjeldende lovbestemmelser er eier eller forvalter av utstyret ansvarlig for følgende:

- at utstyret fungerer korrekt, slik at det gir tilfredsstillende beskyttelse når det gjelder sikkerhet og helse
- at utstyret brukes og blir regelmessig vedlikeholdt og kontrollert, og får service av personer med dokumentert kompetanse på utstyret og gjeldende regelverk.
- at serviceloggboken og plassgodkjennings- og risikovurderingsdokumentene (PRA-0007) som følger med, oppbevares lett tilgjengelig for vedlikeholds- og servicenotater.
- at inspeksjonen også gjelder nødutgangsfunksjonen (når dette er relevant)
- at lukkekraften er passende for dørens størrelse på branngodkjente dørssystemer (når dette er relevant).

Garanti

ASSA ABLOY Entrance Systems garanterer at produktene er uten feil og mangler i materialer og fremstilling i 12 måneder fra leveringstidspunktet, forutsatt at de brukes til det formålet de er beregnet for. Denne garantien gjelder kun for den opprinnelige kjøperen av utstyret.

ASSA ABLOY Entrance Systems garanterer at programvaren i alt vesentlig vil fungere i overensstemmelse med funksjonsbeskrivelsen og at den er lagret på et feilfritt medium.

ASSA ABLOY Entrance Systems-garantien gjelder ikke for

- At programvaren skal være feilfri eller fungere uten avbrudd
- Generell bruk og slitasje på systemet.
- Sikringer, engangsbatterier og skader på glass.
- Systemavvik som skyldes bruk av en annen installatør enn ASSA ABLOY Entrance Systems
- System som er blitt endret eller skadet ved hærverk eller misbruk
- System som har ekstrautstyr i form av ikke-originale ASSA ABLOY Entrance Systems-deler og/eller reservedeler
- Unødvendige besøk grunnet dårlig kommunikasjon med klient (dør fungerer når våre teknikere ankommer, tilbakestill produktet eller strømmen kommer tilbake).
- Justeringer (lukke- og åpnehastighet samt registreringsfeltradere) på kundens bestilling (unntatt justeringer som kan utgøre en fare)
- Vannskader
- Ugunstige værforhold
- Alle skader forårsaket, direkte eller indirekte, av forhold utenfor det aktuelle ASSA ABLOY Entrance Systems-selskapets kontroll, for eksempel arbeidskonflikt, brann, naturkatastrofer, krig, omfattende militær mobilisering, opprør, beslagleggelse, overtakelse, embargo, begrensninger mht. strømbruk og feil eller forsinkelser i levering fra underleverandører som er forårsaket av nevnte forhold.

Vær oppmerksom på:

- Hvis ikke produsentens forholdsregler og vedlikeholdsregler ikke overholdes, kan dette gjøre garantien ugyldig.
- ASSA ABLOY Entrance Systems- autoriserte forhandlere skal bare gi denne garantien videre til sluttbrukere, men har ingen fullmakt til å forlenge eller endre garantien på vegne av ASSA ABLOY Entrance Systems.
- En serviceavtale med ASSA ABLOY Entrance Systems vil bidra til å sikre at systemet er fullt operativt, og kunder med serviceavtale vil bli prioritert ved utrykning, slik at systemets nedetid reduseres til et minimum.

Service

Regelmessig ettersyn skal foretas av en kvalifisert person med behørig opplæring. Hyppigheten av ettersynet skal skje i henhold til nasjonale forskrifter (eller i henhold til bransjestandard hvis det ikke finnes nasjonale forskrifter). Dette er spesielt viktig når installasjonen gjelder en branngodkjent dør eller en dør med nødåpningsfunksjon (rømningsvei). For å forlenge investeringens levetid og sørge for sikker og pålitelig drift av døren anbefaler vi minst to besøk per år, avhengig av bruk og driftsforhold. Det skal også tas hensyn til miljøaspekter.

Ettersom inngangene er en del av forretningsvirksomheten din, er det all grunn til å sørge for at de fungerer som de skal. ASSA ABLOY Entrance Systems tilbyr en vedlikeholds- og serviceavtale du kan stole på. Våre vedlikeholdsprogrammer og servicetjenester for automatiske dører har støtte i omfattende fagkunnskap om alle typer inngangsdører, industriporter og lastesystemer uavhengig av merke. Til din rådighet står et team av engasjerte serviceteknikere, dokumentert og godkjent gjennom flere tiår med vedlikehold, service og fornøyde kunder.

Tiltenkt bruk

ASSA ABLOY SW200 er en automatisk slagdøråpner som er utviklet for å gjøre livet enklere for brukerne. ASSA ABLOY SW200 er en lavenergiåpner som bruker en likestrømsmotor og et reduksjonsgir for å drive et armsystem som åpner døren. Den skal monteres innendørs, hvor den passer til nesten alle typer utvendige og innvendige slagdører. Denne populære døråpneren kan brukes på dører i helseinstitusjoner, boliger, kontorer og offentlige bygninger.

Døren er konstruert for kontinuerlig drift, høy sikkerhet og optimal levetid. Systemet er selvjusterende i forhold til normale variasjoner i værforholdene og mindre friksjonsendringer, som f.eks. skyldes støv og skitt.

Ved rømning i nødssituasjoner åpnes døren manuelt.

For installasjon og vedlikehold, se installasjons- og servicehåndbok 1009728 for veggmontert installasjon og 1009936 for skjult montering i tak.

Ta vare på denne håndboken for fremtidig bruk.

Teknisk spesifikasjon

Produsent:	ASSA ABLOY Entrance Systems AB
Adresse	Lodjursgatan 10, SE-261 44 Landskrona, Sweden
Type:	ASSA ABLOY SW200
Mains power supply:	100-240 V AC +10/-15 %, 50/60 Hz
Strømförbruk:	Maks. 300 W
Bekyttelsesklasse:	IP20
Lydtrykk:	$L_{pa} \leq 70 \text{ dB}(A)$
Godkjenninger:	Tredjeparts godkjenning fra etablerte sertifiseringsorganisasjoner er gyldig for sikkerhet ved bruk, se Samsvarserklæring.

Slik fungerer ASSA ABLOY SW200

Slagdøråpneren ASSA ABLOY SW200 benytter en likestrømsmotor som er koblet til drivakselen med en kombinasjon av et konisk tannhjul og sylindriske tannhjul. Armsystemet som er koblet til drivakselen, åpner døren i en veggmontert installasjon.





Det er også en justerbar fjærmekanisme koblet til drivakselen. Når døren åpnes, strammes fjæren av drivakselens rotasjon. Under lukking virker den akkumulerte fjærkraften i lukkeretningen. Fjærkraften kan justeres slik at den er tilstrekkelig til å lukke døren når den blir betjent manuelt eller hvis det oppstår strømbrudd.

For å aktivere åpneren kan det brukes en manuell aktiveringsmekanisme (albuebryter) eller en automatisk aktiveringsmekanisme (radar). Det er også mulig (hvis lokale regler tillater det) å aktivere åpneren ved å trykke på døren, hvis det er valgt "trykk-og-gå"-mekanisme (Push & Go).

Etter at døren er aktivert, vil den åpne og forbli åpen i en nærmere angitt "holde åpen-tid" (HOT). Når "holde åpen-tiden" er utløpt, lukkes døren.

ASSA ABLOY SW200 kan stilles inn i tre eller fire forskjellige moduser, avhengig av programvelgertype, se tabell nedenfor.

Ved helt manuell bruk (eller hvis det er strømstans) vil ASSA ABLOY SW200 fungere som en normal dørlukker.

Posisjon	Funksjon
 AV	Døren er lukket. Døren kan ikke åpnes med innvendige og utvendige aktiveringsenheter. Døren låses hvis det er montert en elektromekanisk låseanordning. Døren kan åpnes med nøkkelbryter (hvis montert).
 UT	Bare trafikk fra innsiden. Normalt låses døren hvis det er montert en elektromekanisk lås. Døren kan bare åpnes med den innvendige aktiveringsenheten og med nøkkelbryter (hvis montert).
 AUTO Normal posisjon	Døren kan åpnes med de innvendige og utvendige manuelle og/eller automatiske aktiveringsmekanismene. Det elektriske sluttstykket, hvis montert, er åpent.
 ÅPEN	Døren holdes permanent åpen av motoren.

ASSA ABLOY SW200 Varianter

ASSA ABLOY SW200 -SA-152X152:	Veggmontering, 152 mm x høyde 152 mm
ASSA ABLOY SW200 -OHC:	Sjult montering i tak, bredde 152 mm x høyde 152 mm

Jevnlige sikkerhetskontroller

For å hjelpe deg med å oppfylle nasjonale/internasjonale krav samt unngå funksjonsfeil og fare for personskader har vi laget følgende sjekklister:



Ikke bruk døråpneren hvis den krever reparasjon eller justering.

Koble fra strømforsyningen/Nettspeningen 220V ⁽¹⁴⁾ når det utføres renhold eller annet vedlikehold.

Daglig		Hvis problem oppstår
Aktiver døråpneren og utfør <i>visuell</i> kontroll av feste og eventuell skade på <ul style="list-style-type: none"> • åpneren ⁽¹⁾ • armsystemet ⁽²⁾ • kabler ⁽³⁾ • Kontrollbryter ⁽⁴⁾ • hengslene ⁽⁵⁾ • dør og glass ⁽⁶⁾ 		
Kontroller også døråpneren, og kontroller <i>ved selsyn</i> følgende: <ul style="list-style-type: none"> • skarpe kanter på dørbladet og dørkarmen (hvis den har karm) ⁽⁷⁾ • dørlistenes tilstand ⁽⁸⁾ • klemsikringen ⁽⁹⁾ • og til slutt at døren som helhet fungerer som den skal, og lukker seg langsomt og jevnt. 		
Still programvelgeren på AV og kontroller at døråpneren og den elektromagnetiske låsen (hvis montert) fungerer sammen. Kontroller også at låsen ⁽¹⁰⁾ faktisk sikrer døren.		
Aktiver de manuelle aktiveringsenhetene ⁽¹¹⁾ , hvis det er noen, og gå mot døren. Kontroller at døren har åpnet seg riktig når du går inn/ut gjennom den. Gjør deretter det samme med de automatiske aktiveringsmekanismene ⁽¹²⁾ .		
Kontroller eventuelle sikkerhetssensorer ⁽¹³⁾ ved å stå i svingområdet og aktivere døråpneren. Døren må ikke treffe deg når den åpner eller lukker. Er du usikker på hvilken type sensor du har, kan du kontakte din ASSA ABLOY Entrance Systems-forhandler.		
Nødutganger	Sett programvelgeren i AUTO-modus. Trykk døren manuelt i rømningsretningen og kontroller at det ikke er noen gjenstand eller funksjon som vil hindre døren i å åpne. Kontroller dessuten at nødutgangen er fri for hindringer.	
Brannporter	La døren lukke etter en impuls, for å kontrollere at det ikke er noe som hindrer døren i å lukke og låse (hvis regelverket krever det).	

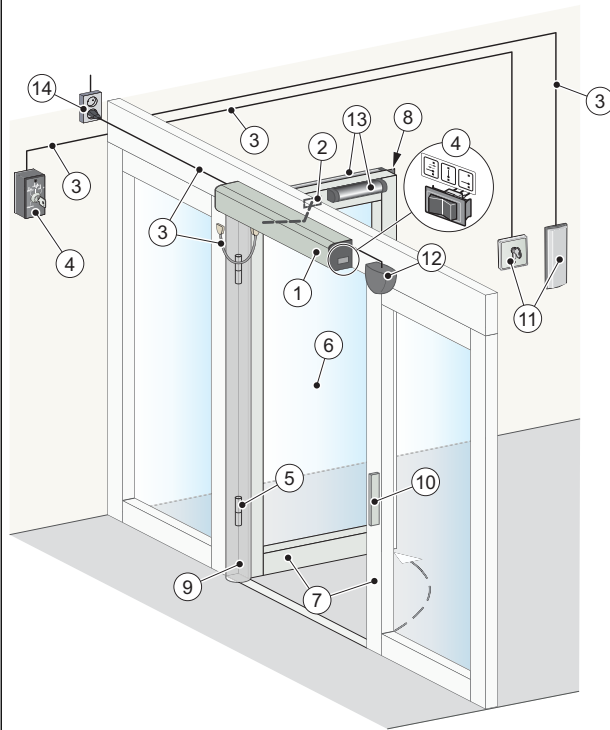


= Utfør nødvendige tiltak.



= Kontakt din ASSA ABLOY Entrance Systems-forhandler. Du finner kontaktopplysninger på siste side.

FUNKSJON OG VISUELT ETTERSYN



Veggmontert vist

RENGJØRING

Den beste måten å fjerne støv og smuss fra ASSA ABLOY SW200 er å bruke vann og en myk klut eller svamp. Det kan brukes et mildt rengjøringsmiddel. For å bevare kvaliteten på overflaten bør overflaten rengjøres en gang hver fjerde måned. Rengjøringen skal dokumenteres. For å unngå skader på profilene må børstene/listene støvsuges hver uke

- Ikke utsett vinduer, dører eller profiler for alkaliske væsker. Både aluminium og glass er sensitive for alkalier.
- Ikke bruk høytrykksspyler til rengjøring. Døråpneren, programvelgeren og sensoren kan bli skadet, og det kan komme vann inn i profilene.
- Poleringsmiddel skal ikke brukes.
- Ikke skrubbe med materialer som Scotch-brite. Dette vil føre til mekaniske skader.

Generelt ekstrautstyr

- Kontrollbryter ④, [se side 183](#)
- Elektrisk lås ⑩, [se side 183](#)
- Nøkkelbryter ⑪, [se side 183](#)
- Albuebryter ⑪, [se side 183](#)
- Radar ⑫, [se side 183](#)
- Trådløse sendere (ikke vist)
- Tilgangskontroll (ikke vist)
- Dørstopper (ikke vist)

Sikkerhetsutstyr

- Sikkerhetssensorer ⑬, [se side 183](#).
- Klemsikring ⑨, [se side 183](#).

Feilsøking

Hva er galt?	Tiltak
Døren åpner seg ikke	
Motoren starter ikke	Endre innstillingen av programvelgeren. (Se side 181). Kontroller at det ikke er gjenstander i registreringsfeltet, hvis det er montert sensor. Kontroller hovedbryteren
Motoren starter, men døren(e) åpner ikke.	Lås opp de mekaniske låsene. Kontroller at det ikke er noe i klem under døren.
Døren lukker seg ikke	Endre innstillingen av programvelgeren. (Se side 181). Kontroller at det ikke er gjenstander i registreringsfeltet, hvis det er montert sensor. Kontroller at det ikke er noe i klem under døren.
Døren åpner og lukker kontinuerlig.	Kontroller at det ikke er noen bevegelige gjenstander innenfor 1-1,5 m fra døren, hvis det er montert automatisk aktiveringsmekanisme.
Hvis problemet vedvarer, må du kontakte din ASSA ABLOY Entrance Systems-forhandler.	

Service og vedlikehold

Service og justeringer foretatt av den autoriserte ASSA ABLOY Entrance Systems-representanten vil sikre at den automatiske døren fungerer sikkert.

Husk å oppbevare serviceloggboken og plassgodkjennings- og risikovurderingsdokumentene (PRA-0007) lett tilgjengelig. Disse brukes sammen.

Tabellen nedenfor viser de anbefalte intervallene (i måneder) for utskifting av deler, som del av det forebyggende vedlikeholdet. Snakk med din ASSA ABLOY Entrance Systems-forhandler hvis du ønsker å vite mer om vårt servicetilbud.

Del	Delenummer	Sykluser/timer i drift			Krevende Miljø
		<10	<100	>100	
		Lite trafikk	Middels trafikk	Mye trafikk	
Serviceutrustning til skyvearm (PUSH)	330000271 SI/BK	24	12	6	6
Servicepakke for trekkarm (PULL)	330000272 SI/BK	24	12	6	6
Stopparmutrustning	330000276	24	12	6	6
Mikrobrytersett	330000275	24	12	6	6
Adapterutrustning	330000270 SI/BK	24	12	6	6
Overføringsenhet	331007291	60	60	60	60
Styringsenhet CU-200 med EXU-kort	331008346	60	60	60	60
Batteri	33738753	24	24	24	24

Andre produkter fra ASSA ABLOY Entrance Systems

- Dørsystemer
 - Balansedører
 - Luftgardiner
 - Karusellører
 - Skyvedører
 - Automatiske og manuelle aktiveringsenheter
 - Leddheiseporter
 - Vertikale dukfoldeporter
 - Lastebrygger
 - Værtetninger
 - Foldeporter
 - Hurtigporter
 - Lastehus
- Service, som forebyggende vedlikehold og oppgraderingsprogram, nødreparasjoner, service-anbefalinger og døradminstrasjon

Vi **ASSA ABLOY Entrance Systems AB**
Lodjurgatan 10
SE-261 44 Landskrona
Sweden

erklærer som eneansvarlig at utstyrstypen:
SW200

er i overensstemmelse med følgende direktiver:

Elektromagnetisk direktiv 2014/30/EC (EMD)

Maskindirektiv 2006/42/EC (MD)

2011/65/EU om begrensningen i bruk av visse farlige stoffer i elektrisk og elektronisk utstyr med gjeldende endringer (RoHS)

Harmoniserte europeiske standarder som er anvendt:

EN ISO 13849-1:2015

EN 60335-1:2012+A11:2014

EN 60335-2-103:2015

EN 61000-6-2:2005

EN 61000-6-3:2007+A1:2011

EN 16005:2012/AC:2015

Andre standarder eller tekniske spesifikasjoner som er anvendt:

FCC 47 CFR Part 15 B

UL 325

IEC 60335-1 ed 5:2010

IEC 60335-2-103: ed. 2.1:2011

EN 1634-1:2008

Sertifikat utstedt av et teknisk eller kompetent kontrollorgan (kontakt ASSA ABLOY Entrance Systems AS for fullstendig adresse) vedrørende utstyret:

SC0072-14

UL File E47833

UL File R9469

Produksjonsprosessen sikrer at utstyret er i samsvar med den tekniske beskrivelsen. Produksjonsprosessen kontrolleres jevnlig av en tredjepart.

CE-merket ble først brukt 2013-11-04.

Innsamling av tekniske saksdokumenter:

Anders Forslind

ASSA ABLOY Entrance Systems AB

Lodjurgatan 10

SE-261 44 Landskrona

Sweden

Sted
Landskrona

Dato
2021-04-16

Signatur
Klas Hagelin

Posisjon
Global Quality Manager



ASSA ABLOY Entrance Systems er en ledende leverandør av løsninger for inngangsautomatisering for effektiv strøm av gods og mennesker. Vi bygger på de gode resultatene som merkene Besam, Crawford, Albany og Megadoor har oppnådd gjennom mange år, og tilbyr våre løsninger under merket ASSA ABLOY. Målsettingen med våre produkter og tjenester er å dekke sluttbrukernes behov for sikre, pålitelige, praktiske og bærekraftige løsninger. ASSA ABLOY Entrance Systems er en divisjon innenfor ASSA ABLOY.

assaabloyentrance.no



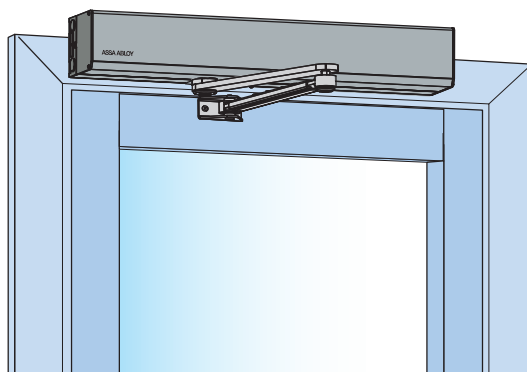
ASSA ABLOY Entrance Systems

Tlf: 22 65 54 50
info.no@assaabloy.com
assaabloyentrance.no

Automat do drzwi przymykowych ASSA ABLOY SW200

Instrukcja Obsługi

Instrukcje oryginalne



PL

SPIS TREŚCI

Instrukcje bezpiecznego użytkowania	191
Gratulujemy zakupu nowych drzwi automatycznych!	193
Zakłócenia odbioru urządzeń elektronicznych	193
Wymagania dotyczące ochrony środowiska	193
Odpowiedzialność za produkt	193
Gwarancja	194
Serwisowanie	194
Normalne użytkowanie	195
Dane techniczne	195
Zasada działania automatu ASSA ABLOY SW200	196
ASSA ABLOY SW200 Modele	196
Regularne testy bezpieczeństwa	197
Akcesoria ogólnego zastosowania	201
Akcesoria zwiększające bezpieczeństwo	201
Rozwiązywanie problemów	201
Serwis/konserwacja	202
Inne produkty marki ASSA ABLOY Entrance Systems	202
Deklaracja zgodności	203

Znaki towarowe w postaci nazwy oraz logo ASSA ABLOY należą do grupy ASSA ABLOY

© ASSA ABLOY Entrance Systems, 2021

Dane techniczne mogą ulec zmianie bez uprzedzenia.

Instrukcje bezpiecznego użytkowania



- Nieprzestrzeganie instrukcji podanych w podręczniku może doprowadzić do obrażeń ciała lub uszkodzenia sprzętu.
- Aby zmniejszyć ryzyko obrażeń, automat należy stosować wyłącznie w pojedynczych i podwójnych drzwiach przymykowych lub składanych przeznaczonych dla ruchu pieszego.
- Nie korzystaj z urządzenia, jeżeli wymaga naprawy lub regulacji.
- Odłącz zasilanie systemu na czas sprzątanania lub wykonywania czynności konserwacyjnych.
- Automat może być stosowany przez dzieci w wieku ponad 8 lat, o ile zostały przeszkolone przez osobę odpowiedzialną za ich bezpieczeństwo.
- Automat może być stosowany przez dzieci w wieku ponad 8 lat lub młodsze, o ile są pod nadzorem osoby odpowiedzialnej za ich bezpieczeństwo.
- Automat może być stosowany przez osoby o ograniczonych możliwościach fizycznych, sensorycznych lub umysłowych, o ile zostały przeszkolone przez osobę odpowiedzialną za ich bezpieczeństwo.
- Czyszczenie i prace konserwacyjne do wykonania przez użytkownika nie mogą być wykonywane przez dzieci.

- Nie można pozwolić na wchodzenie na drzwi i bawienie się drzwiami oraz elementami sterującymi zamontowanymi lub zdalnymi.
- Drzwi można obsługiwać automatycznie za pomocą czujników lub ręcznie za pomocą aktywatorów. Podczas obsługi ręcznej automat może pełnić funkcję samozamykacza.

Gratulujemy zakupu nowych drzwi automatycznych!

ASSA ABLOY Entrance Systems AB posiada ponad 50-letnie doświadczenie w produkcji drzwi automatycznych. Dzięki zastosowaniu nowoczesnych technologii oraz gruntownie przetestowanych materiałów i komponentów możemy zaoferować naszym klientom produkty najwyższej klasy.

Podobnie jak wszystkie inne rozwiązania techniczne, drzwi automatyczne wymagają regularnej konserwacji i serwisowania. Użytkownik powinien znać zasady działania drzwi automatycznych (systemu) i mieć świadomość znaczenia utrzymania produktu w zgodzie z obowiązującymi standardami bezpieczeństwa.

Lokalny przedstawiciel firmy ASSA ABLOY Entrance Systems dysponuje wiedzą na temat standardów bezpieczeństwa oraz zna wszystkie obowiązujące przepisy lokalne i zalecane przez ASSA ABLOY Entrance Systems praktyki w zakresie drzwi automatycznych dla ruchu pieszego. Serwis i montaż wykonane przez personel firmy ASSA ABLOY Entrance Systems zapewnią bezpieczne i prawidłowe funkcjonowanie systemu drzwi automatycznych.

Zakłócenia odbioru urządzeń elektronicznych

Niniejsze urządzenie może generować i wykorzystywać fale radiowe. Jeśli nie będzie prawidłowo zainstalowane i użytkowane, może powodować zakłócenia w odbiorze sygnału radiowego i telewizyjnego lub innych systemów wykorzystujących fale radiowe.

Jeżeli inne urządzenia nie spełniają w pełni wymagań odporności, może dojść do zakłóceń.

Nie można zagwarantować, że konkretny system nie będzie generować zakłóceń. W przypadku wystąpienia zakłóceń w odbiorze radiowo-telewizyjnym (co można sprawdzić, włączając i wyłączając urządzenie), można je wyeliminować, wykonując jedną lub kilka spośród niżej wymienionych czynności:

- Zmienić ustawienie anteny odbiorczej.
- Przetawić odbiornik względem urządzenia.
- Odsunąć odbiornik od urządzenia.
- Podłączyć odbiornik do innego gniazdka elektrycznego, tak aby odbiornik i urządzenie były zasilane z innego obwodu sieci elektrycznej.
- Sprawdzić, czy został podłączony ochronny przewód uziemiający.

W razie potrzeby użytkownik powinien się skonsultować ze sprzedawcą lub doświadczonym technikiem radiowo-telewizyjnym w celu uzyskania dodatkowej pomocy.

Wymagania dotyczące ochrony środowiska

ASSA ABLOY Entrance Systems Produkty zawierają komponenty elektroniczne, a także mogą być wyposażone w akumulatory, zawierające materiały szkodliwe dla środowiska naturalnego. Przed demontażem komponentów elektronicznych i akumulatorów należy odłączyć zasilanie. Komponenty elektroniczne i akumulatory należy odpowiednio utylizować, zgodnie z przepisami lokalnymi, podobnie jak zrobiono z materiałami opakowaniowymi.

Odpowiedzialność za produkt

Zgodnie z przepisami, właściciel lub administrator urządzenia ma następujące obowiązki:

- zapewnić prawidłowe funkcjonowanie urządzenia w celu utrzymania bezpieczeństwa i higieny użytkowania na odpowiednim poziomie,
- dopilnować, aby urządzenie było przeglądane, serwisowane i regularnie konserwowane przez osobę posiadającą udokumentowane uprawnienia techniczne oraz wiedzę z zakresu obowiązujących przepisów,
- upewnić się, że dokumenty „Książka przeglądów” oraz „Badanie odbiorcze i ocena ryzyka” (PRA-0007) są dostępne do celów konserwacji i serwisu,
- w stosownych przypadkach zapewnić przegląd systemu awaryjnego otwierania drzwi,

- sprawdzić, czy siła zamykania jest dostosowana do rozmiaru drzwi w systemach podłączonych do instalacji przeciwpożarowej (kiedy ma zastosowanie).

Gwarancja

ASSA ABLOY Entrance Systems Firma gwarantuje, że jej produkty będą wolne od wad materiałowych i produkcyjnych w warunkach normalnego użytkowania i serwisowania przez okres 12 miesięcy od momentu dostarczenia produktu. Gwarancja dotyczy jedynie pierwotnego nabywcy urządzenia.

ASSA ABLOY Entrance Systems Firma gwarantuje, że oprogramowanie zostało zapisane na nieuszkodzonym nośniku danych i będzie działać zgodnie z informacjami zawartymi w jego opisie funkcjonalnym.

Gwarancja ASSA ABLOY Entrance Systems nie obejmuje:

- działania oprogramowania bez błędów i zakłóceń
- zwykłego zużycia układu w trakcie eksploatacji,
- uszkodzeń bezpieczników, baterii jednorazowych i elementów wykonanych ze szkła,
- nieprawidłowości w układzie w wyniku montażu wykonanego przez instalatora innego niż zatwierdzony przez firmę ASSA ABLOY Entrance Systems;
- uszkodzeń powstałych wskutek nieprawidłowego użytkowania systemu, modyfikacji lub aktów wandalizmu,
- dodatkowego wyposażenia niebędącego oryginalnym wyposażeniem i/lub częściami zamiennymi marki ASSA ABLOY Entrance Systems;
- przypadków nieuzasadnionego wezwania serwisu przez klienta (prawidłowo działające drzwi w chwili przybycia technika, resetowanie systemu, awaria zasilania),
- regulacji (prędkość zamykania i otwierania oraz pole detekcji radarów) na prośbę klienta (za wyjątkiem regulacji funkcji, które mogą stwarzać zagrożenie),
- szkód powstałych wskutek zalania systemu wodą,
- skutków działania niesprzyjających warunków atmosferycznych,
- uszkodzeń spowodowanych pośrednio lub bezpośrednio przez okoliczności leżące poza kontrolą firmy należącej do ASSA ABLOY Entrance Systems, takich jak akcje protestacyjne, pożar, klęski żywiołowe, wojna, ogłoszenie mobilizacji, powstania zbrojne, rekwizycja, konfiskata, embargo, ograniczenia w dostawie mocy oraz wady lub opóźnienia w dostawach realizowanych przez podwykonawców powstałe w wyniku wystąpienia którejkolwiek z tych okoliczności.

Uwaga:

- Nieprzestrzeganie zaleceń producenta odnośnie obsługi i konserwacji urządzenia może skutkować utratą gwarancji.
- ASSA ABLOY Entrance Systems Autoryzowany sprzedawca produktów udziela gwarancji jedynie użytkownikowi końcowemu, natomiast nie jest uprawniony do udzielenia szerszej ani innej gwarancji w imieniu firmy ASSA ABLOY Entrance Systems.
- Umowa serwisowa z firmą ASSA ABLOY Entrance Systems zapewni utrzymanie sprawności systemu i pierwszeństwo serwisu w razie wezwania, minimalizując w ten sposób czas przestoju urządzenia.

Serwisowanie

Przeglądy powinny być regularnie wykonywane przez przeszkolony i wykwalifikowany personel. Częstotliwość przeglądów zależy od przepisów krajowych (albo norm branżowych, jeżeli przepisy krajowe nie regulują tej kwestii). Jest to szczególnie istotne w przypadku drzwi przeciwpożarowych oraz drzwi z funkcją otwierania awaryjnego. Zależnie od obciążenia i warunków pracy, zalecamy co najmniej dwie wizyty serwisowe rocznie, co wydłuży okres eksploatacji drzwi i zapewni ich bezpieczne i niezawodne działanie. Należy również wziąć pod uwagę aspekty środowiskowe.

Ruch w przedsiębiorstwie uzależniony jest od rozwiązań wejściowych, dlatego warto zadbać o ich prawidłowe działanie. ASSA ABLOY Entrance Systems oferuje specjalistyczne porady w zakresie

konserwacji i modernizacji. Nasze programy konserwacyjne i usługi modernizacji automatycznych rozwiązań wejściowych opierają się na rozległym doświadczeniu w pracy z wszelkimi rodzajami drzwi, bram przemysłowych i systemów przeładunkowych różnych producentów. Do dyspozycji naszych klientów jest wyspecjalizowany personel techniczny, od dziesięcioleci z powodzeniem wykonujący prace konserwacyjne i serwisowe.

Normalne użytkowanie

ASSA ABLOY SW200 jest automatem do drzwi przemykowych, opracowanym z myślą o ułatwieniu przemieszczania się osób korzystających z drzwi automatycznych. ASSA ABLOY SW200 to energooszczędny automat, wyposażony w napęd składający się z silnika elektrycznego prądu stałego i systemu redukcji prędkości roboczej, który steruje ruchem ramienia otwierającego drzwi. Przeznaczony jest do montażu wewnątrz budynków, gdzie może być stosowany w niemal wszystkich typach zewnętrznych i wewnętrznych drzwi przemykowych. Ten szeroko używany automat przeznaczony jest do szerokiej gamy zastosowań, w tym m.in. w ośrodkach zdrowia, domach opieki, biurach i miejscach użyteczności publicznej.

Drzwi przeznaczone są do eksploatacji ciągłej i charakteryzują się wysokim standardem bezpieczeństwa oraz maksymalną żywotnością. System samoczynnie dostosowuje się do zmiennych warunków atmosferycznych i drobnych oporów mechanicznych spowodowanych np. kurzem i zabrudzeniami. Do celów ewakuacji w sytuacjach awaryjnych drzwi otwierane są ręcznie.

Informacje o instalacji i konserwacji znajdują się w „Podręczniku montażu i konserwacji” 1009728 dla automatu z napędem zewnętrznym oraz 1009936 dla automatu z napędem ukrytym, montowanego nad drzwiami.

Instrukcje dotyczące bezpieczeństwa należy zachować na przyszłość, aby móc z nich skorzystać w razie potrzeby.

Dane techniczne

Producent:	ASSA ABLOY Entrance Systems AB
Adres:	Lodjursgatan 10, SE-261 44 Landskrona, Sweden
Rodzaj:	ASSA ABLOY SW200
Zasilanie sieciowe:	100-240 V AC +10/-15%, 50/60 Hz
Pobór mocy:	Maks. 300 W
Stopień ochrony:	IP20
Ciśnienie akustyczne:	$L_{pa} \leq 70 \text{ dB}(A)$
Aprobaty techniczne:	Zewnętrzne aprobaty techniczne wydane przez renomowane organizacje certyfikujące, poświadczające bezpieczeństwo użytkowania, patrz Deklaracja zgodności.

Zasada działania automatu ASSA ABLOY SW200

Automat do drzwi przymykowych ASSA ABLOY SW200 wykorzystuje silnik prądu stałego, podłączony do wału napędowego przekładnią stożkową i przekładniami o zębach prostych. Drzwi otwiera ramię połączone z wałem napędowym automatu zamontowanego powierzchniowo na ścianie.





Z wałem napędowym połączony jest również regulowany mechanizm sprężynowy. Podczas otwierania drzwi sprężyna spiralna jest napinana przez obrót wału napędowego. W cyklu zamykania, zgromadzona siła sprężyny działa w kierunku zamykania. Siłę sprężyny można tak wyregulować, żeby wystarczała do zamknięcia drzwi podczas obsługi ręcznej lub awarii zasilania.

Automat można uruchomić za pomocą aktywatora ręcznego (przycisk łokciowy) lub automatycznego (radar). Jeżeli jest to zgodne z normami lokalnymi i jeżeli system został wyposażony w funkcję push-and-go (pchnij i idź), drzwi można aktywować poprzez popchnięcie.

Drzwi są utrzymywane w pozycji otwarcia przez określony czas otwarcia HOT (Hold Open Time). Po upływie czasu podtrzymania otwarcia, drzwi zamykają się.

Automat ASSA ABLOY SW200 może pracować w trzech lub czterech różnych trybach, w zależności od rodzaju opcjonalnego przełącznika funkcji (tabela poniżej).

W trybie ręcznym (lub w razie awarii zasilania) automat ASSA ABLOY SW200 pełni funkcję zwykłego samozamykacza.

Stanowisko	Działanie
 Wyłączone	Drzwi są zamknięte. Drzwi nie można otworzyć przy pomocy aktywatorów wewnętrznych ani zewnętrznych. Jeżeli drzwi zostały wyposażone w zamek elektromechaniczny, to są zaryglowane. Drzwi można otworzyć za pomocą przycisku klucza (jeżeli jest zainstalowany).
 Wyjście	Możliwe jest jedynie wyjście na zewnątrz. Jeżeli drzwi zostały wyposażone w zamek elektromechaniczny, to są normalnie zaryglowane. Drzwi można otworzyć tylko za pomocą wewnętrznego aktywatora oraz przycisku klucza (jeżeli jest zainstalowany).
 Tryb automatyczny Normalna pozycja	Drzwi można otworzyć za pomocą wewnętrznych i zewnętrznych aktywatorów ręcznych i/lub automatycznych. Zamek elektromechaniczny, jeśli jest zainstalowany, jest otwarty.
 Otwarte	Silnik utrzymuje drzwi cały czas w pozycji otwartej.

ASSA ABLOY SW200 Modele

ASSA ABLOY SW200 -SA-152X152:	Zewnętrzny, nadproże szer. 152 mm x wys. 152 mm
ASSA ABLOY SW200 -OHC:	Ukryty, nad drzwiami, nadproże szer. 152 mm x wys. 152 mm

Regularne testy bezpieczeństwa

W celu ułatwienia obsługi urządzenia w sposób pozwalający uniknąć awarii i ryzyka obrażeń oraz zgodny z wymaganiami krajowymi i międzynarodowymi, opracowaliśmy następującą listę kontrolną.



Nie korzystać z urządzenia, jeżeli wymaga naprawy lub regulacji.

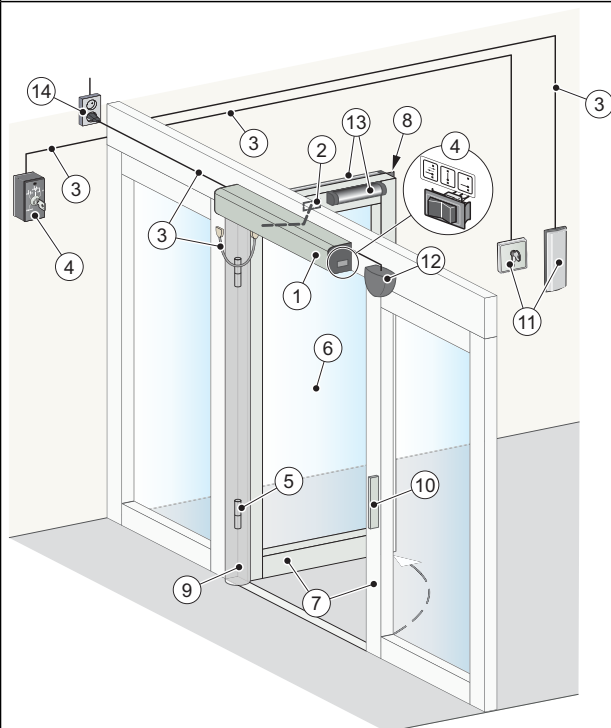
Odłącz zasilanie systemu ⁽¹⁴⁾ na czas czyszczenia lub wykonywania czynności konserwacyjnych.

Codzienna czynność		W razie problemu
<p>Włącz automat i sprawdź wzrokowo, czy następujące elementy są dobrze zamocowane i nieuszkodzone:</p> <ul style="list-style-type: none"> • automat ⁽¹⁾ • system ramion ⁽²⁾ • przewody ⁽³⁾ • Przełącznik funkcji ⁽⁴⁾ • zawiasy ⁽⁵⁾ • drzwi i oszklenie ⁽⁶⁾ 		
<p>Wykonaj inspekcję automatu i sprawdź wzrokowo następujące elementy:</p> <ul style="list-style-type: none"> • ostre krawędzie skrzydła drzwi i ramy (jeżeli występują) ⁽⁷⁾ • stan techniczny uszczelek drzwi ⁽⁸⁾ • zabezpieczenie przed przytraśnięciem palców ⁽⁹⁾ • Na koniec sprawdź, czy drzwi działają prawidłowo i zamykają się płynnie z małą prędkością. 		
<p>Ustawić przełącznik funkcji w położeniu Wyłączone i sprawdzić, czy automat i zamek elektromechaniczny (jeżeli jest zainstalowany) współpracują ze sobą. Sprawdzić również, czy rygiel ⁽¹⁰⁾ skutecznie zabezpiecza drzwi.</p>		
<p>Jeżeli w systemie został zamontowany ręczny aktywator drzwi ⁽¹¹⁾, włącz go i podejź do drzwi. Drzwi powinny się otworzyć, umożliwiając swobodne wejście i wyjście.</p> <p>Następnie w ten sam sposób sprawdź działanie ⁽¹²⁾ aktywatora automatycznego.</p>		
<p>Jeżeli zainstalowane są czujniki bezpieczeństwa ⁽¹³⁾, sprawdź ich działanie, stając na drodze skrzydła drzwi i włączając automat. Podczas otwierania i zamykania drzwi nie może dochodzić do kolizji z osobą stojącą na ich drodze.</p> <p>Jeżeli nie masz pewności, jaki typ czujników zainstalowano w systemie, skontaktuj się z przedstawicielem firmy ASSA ABLOY Entrance Systems.</p>		
Wyjścia ewakuacyjne	<p>Zgodnie z przepisami, wyjścia ewakuacyjne powinny być regulowane przez przeszkolony personel.</p> <p>Ustawić przełącznik funkcji w trybie AUTO. Pchnąć drzwi ręką w kierunku ewakuacji i sprawdzić, czy w obrębie działania drzwi nie znajdują się przedmioty, które mogłyby uniemożliwić ich otwarcie. Sprawdzić również, czy drogi ewakuacyjne są wolne od przeszkód.</p> <p>Poczekaj, aż drzwi zamkną się wskutek zadanego impulsu. Sprawdź, czy funkcja zamykania i blokowania działa bez przeszkód (jeżeli wymagają tego przepisy).</p>	
Drzwi pożarowe		

= Podejmij odpowiednie działania.

= Skontaktować się z przedstawicielem firmy ASSA ABLOY Entrance Systems. Dane kontaktowe znajdują się na ostatniej stronie.

SPRAWDZANIE DZIAŁANIA SYSTEMU I KONTROLA WZROKOWA



Na ilustracji automat z napędem zewnętrznym

CZYSZCZENIE

Aby usunąć kurz i brud z powierzchni urządzenia ASSA ABLOY SW200, należy przetrzeć je miękką ściereczką lub gąbką zamoczoną w wodzie.

Można użyć łagodnego detergentu. Aby utrzymać dobrą jakość wykończenia powierzchni, powierzchnie należy czyścić raz na cztery miesiące. Czynności pielęgnacyjne należy rejestrować. Aby uniknąć uszkodzenia profili, należy czyścić odkurzaczem szczotki i taśmy uszczelniające drzwi raz na tydzień.

- Okien, drzwi i profili nie należy czyścić środkami o odczynie zasadowym. Zarówno aluminium, jak i szkło jest wrażliwe na substancje o odczynie zasadowym.
- Nie myć wodą pod dużym ciśnieniem. Może to spowodować uszkodzenie automatu, przełącznika funkcji lub czujnika. Woda może się również dostać do profili.
- Nie używać detergentów o działaniu ściernym.
- Nie trzeć przy użyciu takich materiałów jak np. Scotch-brite, ponieważ może to spowodować uszkodzenie mechaniczne.



= Skontaktować się z przedstawicielem serwisowym firmy ASSA ABLOY Entrance Systems. Dane kontaktowe znajdują się na ostatniej stronie.

Aksesoria ogólnego zastosowania

- Przełącznik funkcji ④, zob. strona 198
- Zamek elektryczny ⑩, patrz strona 198
- Przełącznik kluczykowy ⑪, patrz strona 198
- Przycisk łokciowy ⑪, patrz strona 198
- Radar ⑫, patrz strona 198
- Nadajniki bezprzewodowe (brak ilustracji)
- Kontrola dostępu (brak ilustracji)
- Ogranicznik drzwi (brak ilustracji)

Aksesoria zwiększające bezpieczeństwo

- Czujniki bezpieczeństwa ⑬, patrz strona 198.
- Zabezpieczenie przed przytraśnięciem palców ⑨, patrz strona 198.

Rozwiązywanie problemów

Problem	Rozwiązanie
Drzwi się nie otwierają.	
Silnik się nie uruchamia.	Zmienić ustawienia przełącznika funkcji. (Patrz strona 196). Jeżeli system został wyposażony w czujnik, sprawdzić, czy w strefie detekcji nie znajdują się żadne przedmioty. Sprawdzić zasilanie sieciowe i bezpiecznik w budynku.
Silnik uruchamia się, lecz drzwi się nie otwierają.	Odrygluj zamki mechaniczne. Sprawdzić, czy drzwi nie są blokowane od spodu.
Drzwi się nie zamykają.	Zmienić ustawienia przełącznika funkcji. (Patrz strona 196). Jeżeli system został wyposażony w czujnik, sprawdzić, czy w strefie detekcji nie znajdują się żadne przedmioty. Sprawdzić, czy drzwi nie są blokowane od spodu.
Drzwi otwierają się i zamykają bez zatrzymania.	Jeżeli system został wyposażony w aktywator automatyczny, sprawdzić, czy w odległości 1-1,5 m od drzwi nie znajdują się ruchome obiekty.
Jeżeli problem nie ustąpi, skontaktować się z przedstawicielem firmy ASSA ABLOY Entrance Systems.	

Serwis/konserwacja

Serwis i montaż wykonane przez personel firmy ASSA ABLOY Entrance Systems zapewnią bezpieczne i prawidłowe funkcjonowanie systemu drzwi automatycznych.

Pamiętaj, że dokumenty „Książka przeglądów” oraz „Badanie odbiorcze i ocena ryzyka” (PRA-0007) muszą być zawsze dostępne. Stosuje się je razem.

W poniższej tabeli podano zalecane częstotliwości (w miesiącach) wymiany części w ramach konserwacji prewencyjnej. Więcej informacji na temat naszej oferty serwisowej można uzyskać od przedstawiciela ASSA ABLOY Entrance Systems.

Część	Numer części	Liczba cykli roboczych/godzin pracy			Środowisko szkodliwe
		<10	<100	>100	
		Małe natężenie ruchu	Średnie natężenie ruchu	Duże natężenie ruchu	
Zestaw serwisowy systemu ramion pchających PUSH	330000271 SI/BK	24	12	6	6
Zestaw serwisowy systemu ramion ciągnących PULL	330000272 SI/BK	24	12	6	6
Zestaw ogranicznika ramienia	330000276	24	12	6	6
Zestaw mikroprzełącznika	330000275	24	12	6	6
Zestaw łącznika	330000270 SI/BK	24	12	6	6
Przekładnia	331007291	60	60	60	60
Jednostka sterująca CU-200 z płytami EXU	331008346	60	60	60	60
Akumulator	33738753	24	24	24	24

Inne produkty marki ASSA ABLOY Entrance Systems

- Systemy drzwi
- Drzwi balansowe
- Kurtyny powietrzne
- Drzwi obrotowe
- Drzwi przesuwne
- Aktywatory automatyczne i ręczne
- Segmentowe bramy przemysłowe
- Usługi, takie jak przeglądy prewencyjne, modernizacja, usuwanie awarii, doradztwo i zarządzanie
- Bramy podnoszone z tkaniny
- Platformy przeładunkowe
- Kurtyny dokowe
- Bramy składane na boki
- Bramy szybkie
- Domki przeładunkowe

My **ASSA ABLOY Entrance Systems AB**
Lodjursgatan 10
SE-261 44 Landskrona
Sweden

deklarujemy z pełną odpowiedzialnością, że urządzenie:
SW200

spełnia wymagania następujących dyrektyw:

2014/30/WE Dyrektywa kompatybilności elektromagnetycznej (EMCD)

2006/42/WE Dyrektywa maszynowa (MD)

2011/65/UE w sprawie ograniczenia stosowania niektórych niebezpiecznych substancji w sprzęcie elektrycznym i elektronicznym z późniejszymi zmianami (RoHS)

Europejskie normy zharmonizowane:

EN ISO 13849-1:2015

EN 60335-1:2012+A11:2014

EN 60335-2-103:2015

EN 61000-6-2:2005

EN 61000-6-3:2007+A1:2011

EN 16005:2012/AC:2015

Inne normy lub specyfikacje techniczne:

FCC 47 CFR Part 15 B

UL 325

IEC 60335-1 ed 5:2010

IEC 60335-2-103: ed. 2.1:2011

EN 1634-1:2008

Certyfikat wydany dla urządzenia przez jednostkę notyfikowaną lub kompetentną (pełne dane teleadresowe dostępne w ASSA ABLOY Entrance Systems AB):

SC0072-14

UL File E47833

UL File R9469

Proces produkcyjny zapewnia zgodność urządzenia z dokumentacją techniczną. Proces produkcyjny jest regularnie kontrolowany przez niezależne instytucje.

Oznaczenie CE po raz pierwszy zastosowano 2013-11-04.

Zgodność z dokumentacją techniczną:

Anders Forslind

ASSA ABLOY Entrance Systems AB

Lodjursgatan 10

SE-261 44 Landskrona

Sweden

Miejscowość

Data

Podpis

Stanowisko

Landskrona

2021-04-16

Klas Hagelin

Global Quality Manager



ASSA ABLOY Entrance Systems to czołowy dostawca rozwiązań do automatycznej obsługi wejść i wjazdów, umożliwiających wydajny przepływ towarów i osób. Rozwiązania oferowane pod marką ASSA ABLOY to kontynuacja sukcesów od lat odnoszonych przez marki Besam, Crawford, Albany i Megadoor. Nasze produkty i usługi mają na celu zaspokojenie potrzeb użytkowników w zakresie bezpieczeństwa, wygody i równowagi ekologicznej. ASSA ABLOY Entrance Systems wchodzi w skład ASSA ABLOY.

assaabloyentrance.pl



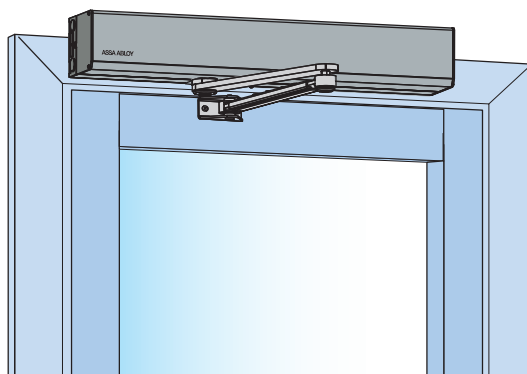
ASSA ABLOY Entrance Systems

Tel.: 22 718 33 66
biuro.pl.aes@assaabloy.com
assaabloyentrance.pl

Mecanismo da porta de batente ASSA ABLOY SW200

Manual do utilizador

Instruções originais



CONTEÚDOS

Instruções para um funcionamento seguro	207
Parabéns pela sua nova porta automática!	209
Interferências de recepção de equipamento electrónico	209
Requisitos ambientais	209
Fiabilidade do produto	209
Garantia	210
Assistência	210
Uso a que se destina	211
Especificações técnicas	211
Como o ASSA ABLOY SW200 funciona	212
ASSA ABLOY SW200 Variações	212
Verificações de segurança regulares	213
Acessórios gerais	217
Acessórios de segurança	217
Resolução de problemas	217
Serviço/Manutenção	218
Outros produtos da ASSA ABLOY Entrance Systems	218
Declaração de conformidade	219

ASSA ABLOY como palavras e logótipos são marcas comerciais propriedade do ASSA ABLOY Group.

© ASSA ABLOY Entrance Systems,2021

Dados técnicos sujeitos a alterações sem aviso.

Instruções para um funcionamento seguro



- A não observância das informações contidas neste manual pode originar lesões pessoais ou danos no equipamento.
- Para reduzir o risco de ferimentos nas pessoas - utilize este sistema apenas com portas pedonais simples ou duplas de batente ou articuladas.
- Não utilizar o equipamento no caso de serem necessárias reparações ou ajustes.
- Desligue a alimentação durante a realização de tarefas de limpeza ou manutenção.
- O mecanismo pode ser utilizado por crianças com mais de 8 anos de idade e pessoas que tiverem recebido instruções por parte da pessoa responsável pela respetiva segurança.
- O mecanismo pode ser utilizado por crianças com mais de 8 anos de idade e pessoas que supervisionadas por uma pessoa responsável pela respetiva segurança.
- O mecanismo pode ser utilizado por pessoas com incapacidade física, sensorial ou mental se tiverem recebido instruções por parte da pessoa responsável pela respetiva segurança.
- As tarefas de limpeza e manutenção do utilizador não devem ser desempenhadas por crianças.
- Não permita que ninguém suba ou brinque com a porta ou os controlos fixos/remotos.

- As portas podem ser operadas automaticamente através de sensores ou manualmente através de ativadores. Também podem ser utilizadas manualmente como uma mola de porta.

Parabéns pela sua nova porta automática!

ASSA ABLOY Entrance Systems AB tem desenvolvido portas automáticas durante mais de 50 anos. Tecnologia inovadora e materiais e componentes cuidadosamente testados oferecem-lhe um produto de qualidade superior.

Assim como todos os produtos técnicos, a sua porta automática necessita de manutenção e assistência periódicas. É essencial que esteja familiarizado com a porta automática (sistema) e que reconheça a importância de dar seguimento ao cumprimento das normas de segurança aplicáveis.

O seu representante local ASSA ABLOY Entrance Systems autorizado está familiarizado com estas normas, assim como com todos os códigos legais e ASSA ABLOY Entrance Systems recomendações relativos a portas pedonais elétricas. Assistência e ajustes efetuados pelo seu representante ASSA ABLOY Entrance Systems autorizado garantem um funcionamento seguro e adequado da sua porta automática.

Interferências de recepção de equipamento electrónico

Este equipamento pode gerar e utilizar frequência de rádio e se não for correctamente instalado e utilizado, pode causar interferências na recepção de rádio, televisão ou em outros sistemas do tipo radiofrequência.

Podem ocorrer interferências se outros equipamentos não cumprirem na totalidade com os requisitos de imunidade.

Não há qualquer garantia de que não ocorram interferências numa determinada instalação. Se este equipamento provocar efetivamente interferências na recepção de rádio ou televisão, o que pode ser determinado se se ligar e desligar o equipamento, o utilizador pode tentar corrigir a interferência através de uma ou mais das seguintes medidas:

- Reorientar a antena de recepção.
- Colocar o receptor noutra posição tendo em conta o equipamento.
- Afastar o receptor do equipamento.
- Ligar o receptor a uma tomada diferente para que o equipamento e o receptor se encontrem em circuitos separados.
- Verificar se a protecção à terra (PE) está ligada.

Se necessário, o utilizador deve consultar o revendedor ou um técnico electrónico com experiência para mais sugestões.

Requisitos ambientais

ASSA ABLOY Entrance Systems os produtos estão equipados com componentes electrónicos e também podem estar equipados com baterias que contêm materiais perigosos para o ambiente. Desligue a alimentação antes de remover os componentes electrónicos e a bateria e certifique-se de que são eliminados em conformidade com os regulamentos locais (como e onde) como foi efetuado com o material de embalagem.

Fiabilidade do produto

Segundo os regulamentos, os seguintes aspectos são da responsabilidade do proprietário ou do responsável pelo equipamento.

- Que o equipamento funciona correctamente, de forma a que possa oferecer uma protecção suficiente face a questões relacionadas com a segurança e com a saúde
- Que o equipamento seja operado e mantido, inspecionado e assistido regularmente por alguém que possua competência documentada sobre o mesmo e os regulamentos aplicáveis
- de que os documentos “Livro de registo de assistência” e “Teste de aceitação do local e Avaliação de riscos” (PRA-0007) estejam disponíveis para os registos de manutenção e assistência
- Que a inspecção abranja a função de abertura de emergência (quando aplicável)

- que a força de fecho seja adequada para o tamanho da porta em sistemas de portas aprovadas para casos de incêndio (quando aplicável).

Garantia

ASSA ABLOY Entrance Systems garante que os seus produtos estão isentos de defeitos de materiais e fabrico sob a utilização a que se destina e assistência durante um período de garantia de 12 meses, com início no momento da entrega. Esta garantia estende-se apenas ao comprador original do equipamento.

ASSA ABLOY Entrance Systems garante que o software irá funcionar substancialmente em conformidade com as respetivas descrições funcionais e que foi registado como um meio sem defeitos.

A garantia ASSA ABLOY Entrance Systems não é aplicável a

- Inexistência de erros de software ou o seu funcionamento ininterrupto.
- Desgaste geral do sistema
- Fusíveis, baterias descartáveis e danos no vidro
- Desvios de sistemas originados por um instalador que não seja da ASSA ABLOY Entrance Systems
- Sistema que tenha sido alterado por situações de vandalismo ou utilização incorrecta
- O sistema ter adicionalmente equipado com peças e/ou peças de substituição não originais da ASSA ABLOY Entrance Systems
- Visitas não necessárias devido a uma comunicação deficiente por parte do cliente (no caso da porta estar a funcionar aquando da chegada dos técnicos, reposição, interrupção da alimentação)
- Ajustes (velocidade de abertura e de fecho e também situações de detecção de radares de campo) devido a pedidos do cliente (exclui ajustes operacionais para criar um perigo)
- Danos provocados por água
- Condições climatéricas adversas
- Quaisquer danos causados, direta ou indiretamente, por uma circunstância fora do controlo da empresa aplicável dentro da ASSA ABLOY Entrance Systems, como uma disputa industrial, incêndio, desastre natural, guerra, mobilização militar massiva, insurreição, requisição, apreensão, embargo, restrições na utilização de alimentação e defeitos ou atrasos em entregas por parte de subcontratados causados por qualquer uma de tais circunstâncias

Note:

- O não cumprimento das recomendações do fabricante no que se refere aos cuidados e manutenção necessários pode implicar a nulidade da garantia.
- ASSA ABLOY Entrance Systems Os revendedores autorizados pela devem estender esta garantia aos utilizadores finais apenas, mas não têm autorização para estender uma garantia maior ou diferente em nome da .
- Um acordo de assistência com a ASSA ABLOY Entrance Systems irá ajudá-lo a garantir a disponibilidade de um sistema totalmente operacional e dará prioridade em caso de emergência, minimizando assim o tempo de inoperacionalidade do equipamento.

Assistência

As inspeções devem ser efetuadas regularmente por uma pessoa qualificada e com formação. A frequência destas inspeções deve ser em conformidade com os regulamentos nacionais (ou em conformidade com o padrão da indústria se não existirem regulamentos nacionais). Este aspeto é particularmente importante quando a instalação se refere a uma porta corta-fogo aprovada ou a uma porta com uma função de abertura de emergência. Para prolongar a duração do seu investimento e garantir um funcionamento seguro e fiável da porta, recomendamos um mínimo de 2 ou mais visitas por ano, dependendo da utilização e das condições de funcionamento. Os aspetos ambientais também devem ser considerados.

Uma vez que as suas entradas fazem parte do seu fluxo de negócio, existem todos os motivos para mantê-las em boas condições de funcionamento. A ASSA ABLOY Entrance Systems oferece-lhe co-

nhecimentos de manutenção e modernização nos quais pode confiar. Os nossos Programas de manutenção e Serviços de modernização para automatização de entradas são apoiados por vastos conhecimentos acerca de todos os tipos de portas pedonais e industriais e sistemas para cais de carga, independentemente da marca. Tem à sua disposição uma equipa dedicada de técnicos experientes, com experiência comprovada ao longo de décadas de manutenção, assistência e clientes satisfeitos.

Uso a que se destina

O ASSA ABLOY SW200 é um mecanismo para portas de batente automáticas desenvolvido para facilitar a vida de todos os que possam beneficiar de portas automáticas. O ASSA ABLOY SW200 é um mecanismo de baixa energia que utiliza um motor DC e um sistema de engrenagem de redução para acionar um sistema de braço que abre a porta. Destina-se a ser instalado em interiores nos quais é adequado para quase todos os tipos de portas oscilantes internas e externas. Este mecanismo muito utilizado pode ser encontrado em instituições de saúde, residências particulares, escritórios e edifícios públicos.

A porta está concebida para oferecer uma utilização contínua, um elevado grau de segurança e uma duração máxima. O sistema é auto-ajustável aos efeitos causados pelas variações normais das condições climáticas e a pequenas alterações de fricção causadas, por exemplo, pelo pó e sujidade.

As portas são abertas manualmente para saída em situações de emergência.

Para obter informações acerca da instalação e manutenção, consulte o Manual de Montagem e Serviço 1009728 para a instalação aplicada na superfície e 1009936 para instalação seccional oculta. Guarde estas instruções para referência futura.

Especificações técnicas

Fabricante:	ASSA ABLOY Entrance Systems AB
Morada:	Lodjursgatan 10, SE-261 44 Landskrona, Sweden
Tipo:	ASSA ABLOY SW200
Alimentação da rede eléctrica:	100-240 V CA +10/-15%, 50/60 Hz
Consumo de energia:	Máx. 300 W
Classe de protecção:	IP20
Pressão sonora:	$L_{pa} \leq 70 \text{ dB}(A)$
Aprovações:	Certificados de aprovação de organizações de certificação reconhecidas, que se aplicam à segurança durante o uso, consulte a Declaração de conformidade.

Como o ASSA ABLOY SW200 funciona

O mecanismo da porta de batente ASSA ABLOY SW200 utiliza um motor de CC que é ligado ao eixo de saída através da combinação de uma engrenagem sem fim e engrenagens retas. O sistema de braço que é ligado ao eixo de saída abre a porta numa aplicação montada em parede.





Também existe um mecanismo de mola ajustável ligado ao eixo de saída. Durante a abertura da porta, a mola rotativa é tensionada pela rotação do eixo de saída. Durante o ciclo de fecho, a força acumulada da mola está a atuar na direção de fecho. A força da mola pode ser ajustada de forma a existir uma força apropriada para fechar a porta quando é operada manualmente ou no caso de falha de alimentação elétrica.

Para activar o mecanismo, pode utilizar um activador manual (interruptor) ou um activador automático (dispositivo de radar). Também é possível, se as normas locais o permitirem, activar o mecanismo empurrando a porta, se estiver seleccionado Push & Go.

Depois de a porta ter sido ativada, abre-se e mantém-se aberta durante um Hold Open Time (HOT) especificado. Quando o tempo de abertura termina, a porta fecha-se.

O ASSA ABLOY SW200 pode ser configurado em três ou quatro modos diferentes, dependendo do tipo de seletor de programas opcional, consulte a tabela abaixo.

No modo totalmente manual (ou em caso de falta de alimentação elétrica) o ASSA ABLOY SW200 funciona como uma mola de porta normal.

Cargo	Função
 OFF	A porta está fechada. A porta não pode ser aberta com unidades de activação interiores e exteriores. A porta está bloqueada se tiver sido instalado um dispositivo de trinco electromecânico. A porta pode ser aberta com um interruptor de chave (se existente).
 EXIT	Passagem apenas a partir do interior. A porta está normalmente bloqueada se tiver sido instalado um dispositivo de bloqueio electromecânico. A porta só pode ser aberta com a unidade de activação interior e um interruptor de chave (se existente).
 AUTO Posição normal	A porta pode ser aberta com os activadores manuais e/ou automáticos interiores e exteriores. O trinco eléctrico, se estiver instalado, abre-se.
 ABERTA	A porta é mantida permanentemente aberta pelo motor.

ASSA ABLOY SW200 Variações

ASSA ABLOY SW200 -SA-152X152:	Aplicação aplicada na superfície em topo com 152 mm de largura x 152 mm de altura
ASSA ABLOY SW200 -OHC:	OHC application in 152 mm wide x 152 mm high header

Verificações de segurança regulares

Elaboramos a seguinte lista de verificação para o ajudar a cumprir com os requisitos nacionais/internacionais e para evitar avarias e/ou risco de lesões.



Não utilize o mecanismo se o mesmo necessitar de ser reparado ou ajustado. Desligue a alimentação ¹⁴ durante a realização de tarefas de limpeza ou manutenção.

Acção diária		Se o problema ocorrer	
Ative o mecanismo e verifique <i>visualmente</i> , a fixação e resolução de qualquer dos seguintes danos <ul style="list-style-type: none"> • mecanismo ¹ • sistema de braço ² • cabos ³ • Interruptor de controlo ⁴ • dobradiças ⁵ • porta e vidro ⁶ 			
Inspeccione também o mecanismo e verifique <i>visualmente</i> o <ul style="list-style-type: none"> • orlas aguçadas na folha da porta e na armação da porta (se existir) ⁷ • condição dos vedantes da porta ⁸ • protecção para dedos ⁹ e, finalmente, verifique se a porta funciona correctamente, fechando-se lentamente de modo suave.		 	
Defina o seletor de modo para OFF e verifique se o mecanismo e o fecho eletromecânico (se instalado) funcionam em conjunto. Verifique também se o fecho ¹⁰ garante realmente a segurança da porta.			
Active as unidades de activação manual ¹¹ , se existirem, e caminhe em direcção à porta. Verifique também se a porta abre de forma correcta enquanto entra/saia. Em seguida, proceda do mesmo modo com as unidades de activação automática ¹² .			
Verifique os sensores de segurança, ¹³ se existentes, posicionando-se no percurso de oscilação, e ative o mecanismo. A porta não deve tocar-lhe durante a abertura ou fecho. Se não tiver a certeza acerca do tipo de sensor que possui, entre em contacto com o seu representante ASSA ABLOY Entrance Systems.			
Portas de saída de emergência	Por lei, estes testes devem ser efectuados regularmente por pessoal com formação adequada.	Defina o seletor de programas para o modo AUTO. Empurre a porta manualmente na direcção de saída de emergência e certifique-se de que não existe nenhum objeto ou função que impeça a abertura da porta. Certifique-se também de que a saída de emergência está livre para ser utilizada.	
Portas para casos de incêndio		Permita que a porta feche após um impulso que garanta que nada impede a porta de fechar e bloquear (se assim o exigirem os regulamentos).	



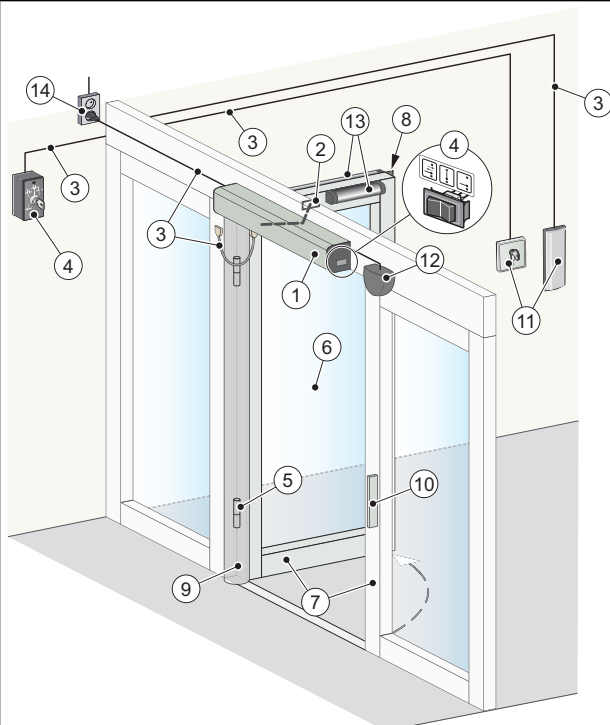
= Tome as medidas necessárias.



= Entre em contacto com o seu representante ASSA ABLOY Entrance Systems. Para mais informações, consulte a última página.

PT

FUNCIONAMENTO E INSPEÇÃO VISUAL



Apresentação de aplicação na superfície

LIMPEZA

A melhor forma de remover o pó e a sujidade de ASSA ABLOY SW200 é utilizar água e um pano ou esponja suave.

Pode ser utilizado um detergente suave. Para manter a qualidade do tratamento da superfície, as superfícies devem ser limpas uma vez a cada quatro meses. A limpeza deve ser documentada. Para evitar danos nos perfis, as escovas/faixa climatérica devem ser aspiradas semanalmente.

- Não exponha janelas, portas ou perfis a ambientes alcalinos. Tanto o alumínio como o vidro são sensíveis ao calcário.
- Não limpe com jatos de água de pressão elevada. O mecanismo, o seletor de programas e o sensor podem ficar danificados e pode entrar água nos perfis.
- Não utilize detergente para polimento.
- Não esfregue com materiais tipo Scotch-brite, uma vez que pode originar danos mecânicos.

SINALIZAÇÃO



Apresentação de aplicação na superfície

Acção		Se o problema ocorrer
Verifique que toda a sinalização necessária esteja colocada e em bom estado. “Obrigatório” indica que a sinalização é requerida pelas directivas europeias e pela legislação nacional equivalente fora da União Europeia.		
(A)	Etiqueta do produto: Obrigatório	
(B)	Ligação de emergência: Obrigatória, se aprovado como saída de emergência.	
(C)	ASSA ABLOY Entrance Systems autocolante da porta: Obrigatório, se aplicável, para destacar a presença de vidro (aplicado em todas as secções de vidro em movimento).	
(D)	Supervisão de crianças (aplicado em ambos os lados da porta): Obrigatório de acordo com os regulamentos nacionais. Recomendado, se a análise de riscos apresentar utilização por crianças.	
(E)	Mecanismo concebido para deficientes: Recomendado, se aplicável (aplicado em ambos os lados da porta).	
(F)	Ativação por pessoas com deficiência: Recomendado, se aplicável.	
(G)	Sem entrada, identificação de sentido único: Obrigatório na Grã-Bretanha e nos EUA, se aplicável, não incluído no produto.	
(H)	Automatic door	
(J)	Manter livre	
(K)	Etiqueta SITAC: Obrigatória na SE	



= Entre em contacto com o seu representante de assistência ASSA ABLOY Entrance Systems. Para mais informações, consulte a última página.

Acessórios gerais

- Interruptor de controlo ④, [consulte a página 214](#)
- Fecho eléctrico ⑩, [consulte a página 214](#)
- Interruptor de chave ⑪, [consulte a página 214](#)
- Interruptor ⑪, [consulte a página 214](#)
- Radar ⑫, [consulte a página 214](#)
- Transmissores sem fios (não ilustrados)
- Controlo de acesso (não ilustrado)
- Stop da porta (não ilustrado)

Acessórios de segurança

- Sensores de segurança ⑬, [consulte a página 214](#).
- Protecção dos dedos ⑨, [consulte a página 214](#).

Resolução de problemas

O que está errado?	Soluções
A porta não abre	
O motor não arranca	Altere a definição do seletor de modo. (Consulte a página 212).
	Certifique-se de que não existem objectos na zona de detecção se existir um sensor instalado.
	Verifique a alimentação elétrica e o fusível no edifício.
O motor arranca mas a(s) porta(s) não abre(m)	Desbloqueie os fechos mecânicos.
	Verifique se existe algum objecto entalado por baixo da porta.
A porta não fecha	Altere a definição do seletor de modo. (Consulte a página 212).
	Certifique-se de que não existem objectos na zona de detecção se existir um sensor instalado.
	Verifique se existe algum objecto entalado por baixo da porta.
A porta abre-se e fecha-se continuamente	Certifique-se de que não existem objectos móveis num raio de 1-1,5 m (39"-59") da porta, se existir uma unidade de activação automática instalada.
Se o problema persistir, entre em contacto com o seu representante ASSA ABLOY Entrance Systems.	

Serviço/Manutenção

A assistência e ajustes efectuados pelo seu representante autorizado ASSA ABLOY Entrance Systems irão garantir um funcionamento correcto e seguro da porta automática.

Lembre-se de manter os documentos “Livro de registo de assistência” e “Teste de aceitação do local e Avaliação de riscos” (PRA-0007) disponíveis. Estes são utilizados em conjunto.

A tabela seguinte mostra o intervalo recomendado em meses, para substituir as peças durante a manutenção preventiva. Contacte o seu representante ASSA ABLOY Entrance Systems para saber mais acerca da nossa oferta de serviços.

Peça	Número da peça	Ciclos/horas em funcionamento			Abusivo Ambiente
		<10	<100	>100	
		Tráfego baixo	Tráfego médio	Tráfego elevado	
Kit de serviço do braço PUSH	330000271 SI/BK	24	12	6	6
Kit de serviço de braço PUXAR	330000272 SI/BK	24	12	6	6
Kit do braço do stop	330000276	24	12	6	6
Microkit de interruptores	330000275	24	12	6	6
Kit adaptador	330000270 SI/BK	24	12	6	6
Unidade de transmissão	331007291	60	60	60	60
Unidade de controlo CU-200 com placas EXU	331008346	60	60	60	60
Bateria	33738753	24	24	24	24

Outros produtos da ASSA ABLOY Entrance Systems

- Sistemas de portas
- Equilibrar portas
- Cortinas de ar
- Portas giratórias
- Portas de correr
- Unidades de activação manual e automática
- Portas seccionadas de abertura vertical
- Portas de tecido de dintel vertical
- Niveladores de cais
- Abrigos de cais
- Portas de encartar
- Portas rápidas
- Compartimentos de carga
- A assistência como manutenção preventiva e programas de actualização, reparações de emergência, aconselhamento de assistência e gestão de portas

Nós **ASSA ABLOY Entrance Systems AB**
Lodjursgatan 10
SE-261 44 Landskrona
Sweden

declaramos sob nossa exclusiva responsabilidade que o tipo de equipamento:
SW200

estão em conformidade com as seguintes directivas.

Directiva Compatibilidade Electromagnética (CEM) 2014/30/CE

Directiva Máquinas (DM) 2006/42/CE

2011/65/UE acerca da restrição de utilização de determinadas substâncias perigosas no equipamento elétrico e eletrónico (RoHS) com as emendas aplicáveis

Normas Europeias harmonizadas que foram aplicadas:

EN ISO 13849-1:2015

EN 60335-1:2012+A11:2014

EN 60335-2-103:2015

EN 61000-6-2:2005

EN 61000-6-3:2007+A1:2011

EN 16005:2012/AC:2015

Outras normas ou especificações técnicas que foram aplicadas:

FCC 47 CFR Part 15 B

UL 325

IEC 60335-1 ed 5:2010

IEC 60335-2-103: ed. 2.1:2011

EN 1634-1:2008

Certificado emitido por um organismo competente ou notificado (para obter o endereço completo, contacte a ASSA ABLOY Entrance Systems AB) em relação ao equipamento:

SC0072-14

UL File E47833

UL File R9469

O processo de fabrico garante o cumprimento do equipamento com o ficheiro técnico. O processo de fabrico é avaliado regularmente por terceiros.

A marca CE foi atribuída pela primeira vez em 2013-11-04.

Compilação do ficheiro técnico:

Anders Forslind

ASSA ABLOY Entrance Systems AB

Lodjursgatan 10

SE-261 44 Landskrona

Sweden

Local
Landskrona

Data
2021-04-16

Assinatura
Klas Hagelin

Cargo
Global Quality Manager



A ASSA ABLOY Entrance Systems é um dos principais fornecedores de soluções de entradas automatizadas para o fluxo eficiente de bens e pessoas. Com base no longo sucesso das marcas Besam, Crawford, Albany e Megadoor, oferecemos as nossas soluções sob a marca ASSA ABLOY. Os nossos produtos e serviços são dedicados à satisfação das necessidades do utilizador final no que se refere a operações seguras, convenientes e sustentáveis. ASSA ABLOY Entrance Systems é uma divisão da ASSA ABLOY.

assaabloyentrance.pt



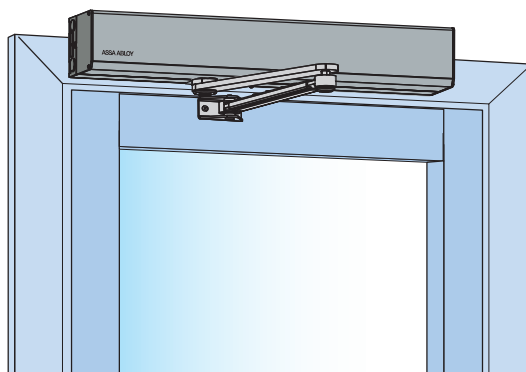
ASSA ABLOY Entrance Systems

Telefone: +351 212 969 290
info.pt.aaes@assaabloy.com
assaabloyentrance.pt

Slagdörröppnare ASSA ABLOY SW200

Användarhandbok

Originalinstruktioner



INNEHÅLLSFÖRTECKNING

Anvisningar för säker drift	223
Gratulerar till din nya automatiska dörr!	224
Störning av mottagningen för viss elektronikutrustning	224
Miljökrav	224
Produktansvar	224
Garanti	225
Service	225
Avsedd användning	226
Tekniska data	226
Hur ASSA ABLOY SW200 fungerar	227
ASSA ABLOY SW200 Variationer	227
Regelbundna säkerhetskontroller	228
Allmänna tillbehör	231
Säkerhetstillbehör	231
Felsökning	231
Service/Underhåll	232
Övriga produkter från ASSA ABLOY Entrance Systems	232
Försäkran om överensstämmelse	233

ASSA ABLOY både som ord och logotyp är varumärken som tillhör ASSA ABLOY-koncernen.

© ASSA ABLOY Entrance Systems, 2021

Tekniska data kan ändras utan föregående meddelande.

Anvisningar för säker drift



- Underlåtenhet att följa instruktionerna i denna manual kan leda till person- eller utrustningsskada.
- För att minska risken för personskador får dörröppnaren endast användas med slag- eller vikedörrar med ett eller två dörrblad.
- Använd inte utrustningen om den behöver repareras eller justeras.
- Koppla från strömmen i samband med rengörings- och underhållsarbete.
- Dörröppnaren kan användas av barn som är äldre än 8 år om barnet fått instruktioner av en person som ansvarar för deras säkerhet.
- Dörröppnaren kan användas av barn som är 8 år eller yngre om barnet fått instruktioner av en person som ansvarar för deras säkerhet.
- Dörröppnaren kan användas av personer med nedsatt fysisk, motorisk eller mental förmåga om man fått instruktioner av en person som ansvarar för deras säkerhet.
- Rengöring och underhåll får inte utföras av barn.
- Låt inte någon klättra upp på eller leka med dörren eller de fasta reglagen/fjärrstyrning.
- Dörrarna kan manövreras automatiskt via sensorer eller manuellt via impulsgivare. Kan även användas manuellt som dörrstängare.

Gratulerar till din nya automatiska dörr!

ASSA ABLOY Entrance Systems AB har utvecklat automatiska dörrar i över 50 år. Den senaste tekniken i kombination med noggrant utprovade material och komponenter ger dig en överlägsen produkt. Liksom all annan teknisk utrustning behöver din automatiska dörr regelbundet underhåll och regelbunden service. Det är viktigt att du känner till din automatiska dörr/ditt automatiska dörrsystem och att du förstår hur viktigt det är att underhålla den/det i enlighet med gällande säkerhetsstandarder. Din lokala auktoriserade ASSA ABLOY Entrance Systems-representant känner till dessa standarder, såväl som alla gällande lokala koder och ASSA ABLOY Entrance Systems rekommendationer för el-drivna dörrar för fotgångare. Service och justeringar som utförs av denna auktoriserade ASSA ABLOY Entrance Systems-representant ser till att din automatiska dörr fungerar på ett säkert och korrekt sätt.

Störning av mottagningen för viss elektronikutrustning

Utrustningen kan alstra samt använda radiovågor och vid bristfälligt installation kan utrustningen orsaka störningar på radio-/tv-mottagning eller störningar för annan utrustning som använder radiovågor.

Om annan utrustning inte till fullo uppfyller skyddskraven kan störningar inträffa.

Det finns ingen garanti för att störningar inte kan uppkomma vid en enskild installation. Om denna utrustning orsakar störningar på radio- och TV-mottagningen, vilket kan avgöras genom att sätta på och stänga av utrustningen, uppmanas användaren att försöka eliminera störningen genom en eller flera av följande åtgärder:

- Rikta om mottagarantennen.
- Flytta mottagaren i förhållande till utrustningen.
- Flytta bort mottagaren från utrustningen.
- Anslut mottagaren till ett annat uttag så att utrustningen och mottagaren är på olika strömför-greningar.
- Kontrollera att skyddsjorden är ansluten.

Vid behov bör användaren rådfråga återförsäljaren eller en erfaren elektroniktekniker för andra lösningar.

Miljökrav

ASSA ABLOY Entrance Systemsprodukter är försedda med elektronik och eventuellt också med batterier som innehåller material som kan vara farliga för miljön. Koppla bort spänningen innan elektronik och batteri tas bort och se till att dessa hanteras i enlighet med lokala bestämmelser (hur och var), samma sak gäller för förpackningar.

Produktansvar

Enligt gällande direktiv har ägaren eller förvaltaren följande ansvar för utrustningen:

- Att utrustningen fungerar korrekt, så att den ger ett fullgott skydd vad beträffar säkerhet och hälsa
- Att utrustningen hanteras samt underhålls, inspekteras och servas regelbundet av någon med dokumenterad erfarenhet av utrustningen och gällande regler
- Dokumenten "Servicelögnbok" och "Test för platsgodkännande och riskbedömning" (PRA-0007) ska finnas tillgängliga för registrering av underhåll och service.
- Att inspektionen innefattar nödöppningsfunktionen (när sådan finns)
- att stängningskraften är anpassad dörrstorleken på brandsäkra dörrsystem (i förekommande fall).

Garanti

ASSA ABLOY Entrance Systems garanterar att produkterna är fria från defekter i material och arbete under avsett användande och avsedd drift under en 12 månaders garantiperiod, som börjar gälla vid leverans. Garantin omfattar endast ursprungsköparen av utrustningen.

ASSA ABLOY Entrance Systems garanterar att programvaran fungerar i allt väsentligt i enlighet med dess funktionsbeskrivningar och att den har spelats in på felfria media.

ASSA ABLOY Entrance Systems garanti täcker inte

- Att programvara är felfri eller fungerar utan avbrott
- Allmänt slitage av systemet
- Säkring, engångsbatterier och glasskada
- Systemavvikelse orsakade av annan installatör än ASSA ABLOY Entrance Systems
- System som har ändrats eller skadats genom vandalism eller annat missbruk
- System som har utrustats med tillbehör som inte är ASSA ABLOY Entrance Systems originaldelar och/eller reservdelar
- Ej erforderliga besök p.g.a. dålig kundkommunikation (dörren fungerar när vår tekniker är på plats, återställning, strömavbrott)
- Justering (stängnings- och öppningshastighet samt radar för detekteringsområdet) efter kundens begäran (exklusive driftinställningar som kan anses orsaka fara)
- Vattenskada
- Ogynnsamma väderförhållanden
- All skada orsakad, direkt eller indirekt, av orsaker utom kontroll för gällande företag inom, som t.ex. industriell ASSA ABLOY Entrance Systems tvist, brand, naturkatastrofer, krig, omfattande militär upprustning, revolt, fordring, utmätning, embargo, begränsningar i användande av ström och defekter eller förseningar i leveranser från underleverantörer orsakade av dessa orsaker

Observera:

- Underlåtenhet att uppfylla tillverkarens rekommendationer gällande vård och underhåll kan upphäva garantin.
- ASSA ABLOY Entrance Systems-auktoriserade återförsäljare ska endast utöka denna garanti till slutanvändare, men har inte behörighet att lämna utökad, större eller annan garanti å ASSA ABLOY Entrance Systems vägnar.
- Ett serviceavtal med ASSA ABLOY Entrance Systems säkrar tillgängligheten till ett felfritt system och ger prioritet vid utryckning, vilket minimerar tiden som systemet inte kan användas.

Service

Regelbundna inspektioner utförs av utbildad och behörig servicetekniker. Inspektionerna ska utföras med den intervall som anges i nationella bestämmelser (eller enligt branschstandard om det inte finns nationella bestämmelser). Detta är särskilt viktigt när installationen handlar om brandklassad dörr eller dörr med hödutgångsfunktion. För att öka livslängden på din investering och säkerställa en säker och pålitlig drift av dörren rekommenderar vi att det utförs två besök per år, eller mer, beroende på användning och driftförhållande. Även miljöaspekter ska beaktas.

Eftersom era entrédörrar är en del av kundflödet finns all anledning att se till att dörrarna fungerar som de ska. ASSA ABLOY Entrance Systems erbjuder säkert underhåll och kunskap om uppdateringar. Våra underhållsprogram och uppdateringstjänster inom dörrautomatik backas upp av omfattande kunskap om alla typer av gång- och industridörrar, samt dockningssystem, helt oberoende av märke. Ni får tillgång till ett team bestående av hängivna tekniker med mångårig erfarenhet inom underhåll, service och nöjda kunder.

Avsedd användning

ASSA ABLOY SW200 är en automatisk slagdörröppnare utvecklad för att göra livet enklare för alla som har nytta av automatiska dörrar. ASSA ABLOY SW200 är en lågenergiöppnare som använder en likströmsmotor med reduktionsväxel för att driva ett armsystem som öppnar dörren. Öppnaren ska monteras inomhus vilket gör att den passar praktiskt taget alla typer av yttre och inre slagdörrar. Denna brett använda dörröppnare återfinns inom sjukvårds-, bostads- kontors- och offentliga byggnader

Dörren är konstruerad för kontinuerligt bruk, hög säkerhet och maximal livslängd. Systemet är självjusterande, dvs. det anpassar sig i förhållande till påverkan från normala väderväxlingar och mindre friktionsförändringar orsakade av t.ex. damm och smuts.

För utrymning i nödsituationer öppnas dörrarna manuellt.

För installation och underhåll hänvisas till Installations- och servicehandboken 1009728 rörande utanpåliggande montering och 1009936 för dold, överliggande installation.

Spara dessa instruktioner för framtida bruk.

Tekniska data

Tillverkare:	ASSA ABLOY Entrance Systems AB
Adress:	Lodjursgatan 10, SE-261 44 Landskrona, Sweden
Typ:	ASSA ABLOY SW200
Nätspänning:	100-240 V AC +10/-15%, 50/60 Hz
Effektförbrukning:	Max 300 W
Skyddsklass:	IP20
Ljudnivå:	$L_{pa} \leq 70 \text{ dB}(A)$
Godkännanden:	Tredje part-godkännanden från etablerade certifieringsorganisationer som gäller för säkerhet vid användning, se Försäkran om överensstämmelse.

Hur ASSA ABLOY SW200 fungerar

Slagdörröppnaren ASSA ABLOY SW200 har en likströmsmotor som är ansluten till utgångsaxeln genom en kombination av vinkeldrev och cylindriska kugghjul. Armsystemet som är kopplat till utgångsaxeln öppnar dörren vid väggmonterad installation.





Det finns även en justerbar fjädermekanism ansluten till utgångsaxeln. När dörren öppnas spänns fjädern genom utgångsaxelns rotation. Vid stängning inverkar fjäderns ackumulerade kraft i stängningsriktningen. Fjäderkraften kan anpassas så den ger tillräcklig kraft för att stänga dörren under manuellt läge eller vid strömavbrott.

För att aktivera öppnaren använder man en manuell impulsgivare (armbågskontakt) eller en automatisk impulsgivare (radarenhet). Om lokala bestämmelser medger kan öppnaren också aktiveras genom att bara skjuta dörren - om man väljer Push&Go-läget.

Efter att dörren har aktiverats öppnas den och står öppen i en specificerad öppethållandetid (Hold Open Time - HOT). När öppethållandetiden är slut stängs dörren.

ASSA ABLOY SW200 kan ställas in i tre eller fyra olika driftlägen beroende på vald typ av programväljare, se nedanstående tabell.

Vid helt manuell användning (eller i händelse av strömavbrott) fungerar ASSA ABLOY SW200 som en normal dörrstängare.

Befattning	Funktion
 FRÅN	Dörren är stängd. Dörren kan inte öppnas med inre och yttre impulsgivare. Dörren är spärrad om en elektromekanisk låsspärr har monterats. Dörren kan öppnas med nyckelkontakt (om sådan finns).
 UTGÅNG	Passage endast från insidan. Dörren är normalt spärrad om en elektromekanisk låsspärr har monterats. Dörren kan endast öppnas med inre impulsgivare och med nyckelkontakt (om sådan finns).
 AUTO Normalt läge	Dörren kan öppnas med de inre och yttre manuella och/eller automatiska impulsgivarna. Det elektriska låsblecket (om sådant monterats) är öppet.
 ÖPPEN	Dörren hålls hela tiden öppen av motorn.

ASSA ABLOY SW200 Variationer

ASSA ABLOY SW200 -SA-152X152:	Endast USA
ASSA ABLOY SW200 -OHC:	Endast USA











Regelbundna säkerhetskontroller

För att hjälpa dig uppfylla nationella/internationella krav och för att undvika tekniska fel och risk för skador har vi gjort följande checklista:



Använd inte dörröppnaren om den behöver repareras eller justeras.

Koppla från strömmen ¹⁴ i samband med rengörings- och underhållsarbete.

Dagligen		Om problem uppstår	
Aktivera dörröppnaren och <i>kontrollera</i> att följande är oskadat och sitter fast ordentligt <ul style="list-style-type: none"> • öppnare ¹ • armsystem ² • kablar ³ • Omkopplare ⁴ • gångjärn ⁵ • dörr och glas ⁶ 			
Inspektera även impulsgivaren och kontrollera följande <i>visuellt</i> : <ul style="list-style-type: none"> • skarpa kanter på dörrblad och dörrkarm (om det finns) ⁷ • skicket på dörrtätningar ⁸ • fingerskydd ⁹ • och slutligen att dörren fungerar korrekt och stängs långsamt och smidigt 		 	
Ställ programväljaren i FRÅN och kontrollera att dörröppnare och elektromekanisk låsspärr (i förekommande fall) arbetar tillsammans. Kontrollera också att låset ¹⁰ verkligen säkrar dörren.			
Aktivera manuella impulsgivare ¹¹ om sådana finns installerade och gå mot dörren. Kontrollera att dörren har öppnats tillräckligt när du passerar entrén/utgången. Fortsätt sedan på samma sätt med de automatiska ¹² impulsgivarenheterna.			
Kontrollera säkerhetssensorerna ¹³ (i förekommande fall) genom att stå framför/bakom dörrarna och aktivera impulsgivaren. Dörren får inte träffa dig vare sig vid öppning eller stängning. Om du är osäker på vilken typ av sensor du har så kontakta din ASSA ABLOY Entrance Systems-representant.			
Utrymningsdörrar	Enligt lag måste dessa tester utföras regelbundet av utbildad personal.	Ställ in programväljaren på AUTO-läge. Tryck dörren manuellt i utrymningsriktningen och säkerställ att inget föremål eller någon funktion hindrar dörren från att öppnas. Säkerställ också att utrymningsvägen inte är blockerad.	 
Branddörrar		Låt dörren stänga efter en impuls för att se etill att ingenting hindrar dörren från att stängas och låsas (om bestämmelserna så kräver).	 

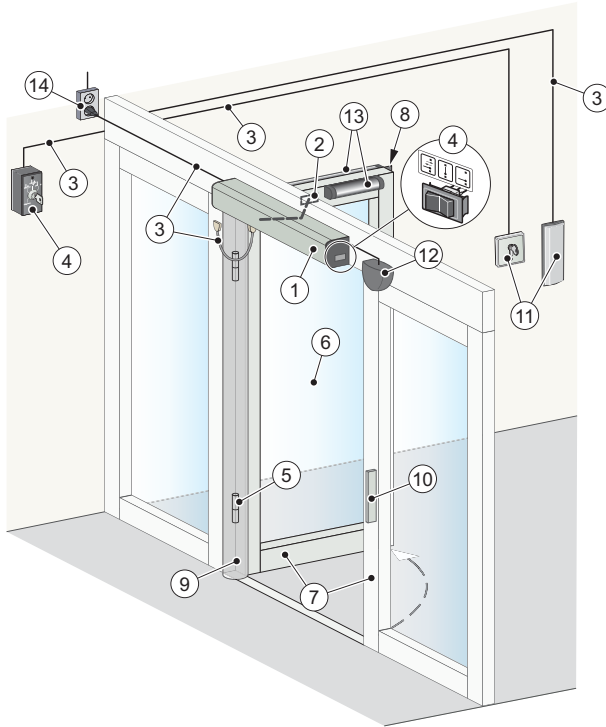


= Vidta lämpliga åtgärder.



= Kontakta din ASSA ABLOY Entrance Systems-representant. För kontaktinformation, se sista sidan.

FUNKTION OCH VISUELL INSPEKTION



Här visas utanpåliggande montering

RENGÖRING

Damm och smuts avlägsnas enklast från ASSA ABLOY SW200 med vanligt vatten och en mjuk trasa eller en svamp.

Ett mildt rengöringsmedel kan användas. För att bibehålla ytbehandlings kvaliteten skall ytorna rengöras en gång var fjärde månad. Rengöringen måste dokumenteras. För att undvika skador på profilerna måste borstarna/lis-terna dammsugas varje vecka.

- Använd inte alkalisk lösning på fönster, dörrar eller profiler. Både aluminium och glas är känsligt för alkaliska lösningsmedel.
- Rengör inte med högtryckspruta. Öppnare, programväljare och sensorer kan skadas och vatten kan tränga in i profilerna.
- Använd inte rengöringsmedel.
- Skrubba inte med material som t.ex. svinto, eftersom detta ger upphov till mekanisk skada.

Allmänna tillbehör

- Omkopplare ④, [se sidan 229](#)
- Elektriskt lås ⑩, [se sidan 229](#)
- Nyckelkontakt ⑪, [se sidan 229](#)
- Armbågskontakt ⑪, [se sidan 229](#)
- Radar ⑫, [se sidan 229](#)
- Trådlösa sändare (inte illustrerade)
- Passagekontroll (inte illustrerad)
- Dörrstopp (inte illustrerad)

Säkerhetstillbehör

- Säkerhetssensorer ⑬, [se sidan 229](#).
- Fingerskydd ⑨, [se sidan 229](#).

Felsökning

Vad är fel?	Åtgärder
Dörren öppnar inte.	
Motorn startar inte	Ändra inställningen för programläge. (Se sida 227).
	Kontrollera att det inte finns några föremål i detekteringszonen om en sensor monterats.
	Kontrollera huvudströmbrytare och säkring i byggnaden.
Motorn startar men dörren/dörrarna öppnas inte	Öppna de mekaniska låsspärrarna.
	Kontrollera att ingenting klämts fast under dörren.
Dörren stänger inte.	Ändra inställningen för programläge. (Se sida 227).
	Kontrollera att det inte finns några föremål i detekteringszonen om en sensor monterats.
	Kontrollera att ingenting klämts fast under dörren.
Dörren öppnas och stängs kontinuerligt.	Kontrollera att det inte finns några rörliga föremål inom 1-1,5 m (39"-59") från dörren om en automatisk impulsgivarenhet är monterad.
Om problemet kvarstår, vänligen kontakta din ASSA ABLOY Entrance Systems-representant.	

Service/Underhåll

Service och justeringar som utförs av ASSA ABLOY Entrance Systems-representant som ser till att din automatiska dörr fungerar på ett säkert och korrekt sätt.

Tänk på att dokumenten "Serviceloggbook" och "Test för platsgodkännande och riskbedömning" (PRA-0007) alltid ska finnas tillgängliga. Dessa används tillsammans.

Nedanstående tabell visar rekommenderade tidsintervaller i månader när reservdelar behöver bytas vid förebyggande underhåll. Kontakta din ASSA ABLOY Entrance Systems-representant för att få mer information om våra serviceerbjudanden (Besam Pro-Actice Care).

Reservdel	Reservdelsnummer	Driftsekvenser/timme			Besvärlig Miljö
		<10	<100	>100	
		Låg- trafikerad	Mellan- trafikerad	Hög- trafikerad	
PUSH-arm service kit	330000271 SI/BK	24	12	6	6
PULL-armservicesats	330000272 SI/BK	24	12	6	6
Stopparmsats	330000276	24	12	6	6
Mikrobrytarsats	330000275	24	12	6	6
Adaptersats	330000270 SI/BK	24	12	6	6
Transmissionsenhet	331007291	60	60	60	60
Styrenhet CU-200 med EXU-kort	331008346	60	60	60	60
Batteri	33738753	24	24	24	24

Övriga produkter från ASSA ABLOY Entrance Systems

- Dörrsystem
- Balansdörrar
- Luftridåer
- Karuselldörrar
- Skjutdörrar
- Automatiska och manuella impulsgivare
- Karm- och dörrbladsmonterade sektiondörrar
- Service såsom förebyggande underhåll och uppgraderingsprogram, akutreparationer, serviceråd och dörrhantering
- Vertikala duklyftportar
- Dockningsnivågivare
- Vädertätningar
- Vikdörrar
- Snabbullportar
- Lasthus

Vi **ASSA ABLOY Entrance Systems AB**
Lodjursgatan 10
SE-261 44 Landskrona
Sweden

förklarar under vårt ansvar att följande utrustning:

SW200

överensstämmer med följande direktiv:

Direktiv för elektromagnetisk kompatibilitet 2014/30/EC (EMCD)

Maskindirektiv 2006/42/EC (MD)

2011/65/EU rörande reducering av vissa farliga ämnen i elektrisk och elektronisk utrustning med förekommande ändringar (RoHS)

Harmoniserade europeiska standarder som har tillämpats:

EN ISO 13849-1:2015

EN 60335-1:2012+A11:2014

EN 60335-2-103:2015

EN 61000-6-2:2005

EN 61000-6-3:2007+A1:2011

EN 16005:2012/AC:2015

Andra standarder eller tekniska specifikationer som har tillämpats:

FCC 47 CFR Part 15 B

UL 325

IEC 60335-1 ed 5:2010

IEC 60335-2-103: ed. 2.1:2011

EN 1634-1:2008

Certifikat utfärdat av ett anmält eller behörigt organ (för hela adressen, vänligen kontakta ASSA ABLOY Entrance Systems AB) beträffande utrustningen:

SC0072-14

UL File E47833

UL File R9469

Tillverkningsprocessen säkerställer att utrustningen är i enlighet med den tekniska filen. Tillverkningsprocessen kontrolleras regelbundet av tredje part.

CE-märkningen började tillämpas 2013-11-04.

Sammanställande av teknisk fil:

Anders Forslind

ASSA ABLOY Entrance Systems AB

Lodjursgatan 10

SE-261 44 Landskrona

Sweden

Ort
Landskrona

Datum
2021-04-16

Namnteckning
Klas Hagelin

Befattning
Global Quality Manager



ASSA ABLOY Entrance Systems är en ledande leverantör av entrélösningar för effektiva flöden av varor och människor. Varumärkena Besam, Crawford, Albany och Megadoor ingår i sortimentet och marknadsförs under varumärket ASSAABLOY. Våra produkter och tjänster uppfyller slutanvändarens behov av en säker, praktisk och hållbar drift. ASSA ABLOY Entrance Systems är en avdelning inom ASSA ABLOY.

assaabloyentrance.se



ASSA ABLOY Entrance Systems

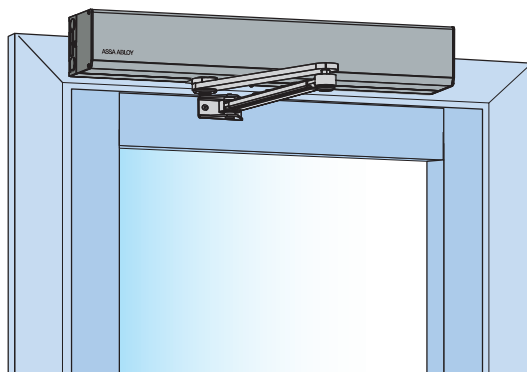
Tel: 010 - 47 47 000
info.se@assaabloy.com
assaabloyentrance.se

Ovládacie zariadenie výkyvných dverí

ASSA ABLOY SW200

Návod na použitie

Originálne pokyny



Obsah

Pokyny pre bezpečnú obsluhu	237
Blahoželáme vám ku kúpe nových automatických dverí!	239
Rušenie príjmu elektronických zariadení	239
Požiadavky životného prostredia	239
Zodpovednosť za produkt	239
Záruka	240
Servis	240
Určené použitie	241
Technické parametre	241
Ako funguje ASSA ABLOY SW200	242
ASSA ABLOY SW200 Varianty	242
Pravidelné bezpečnostné kontroly	243
Bežné príslušenstvo	247
Bezpečnostné príslušenstvo	247
Odstraňovanie problémov	247
Servis/údržba	248
Ďalšie produkty spoločnosti ASSA ABLOY Entrance Systems	248
Vyhlásenie o zhode	249

ASSA ABLOY ako slovo a logo sú ochranné známky vlastnené zo strany ASSA ABLOY Group

© ASSA ABLOY Entrance Systems, 2021

Technické údaje podliehajú zmenám bez predchádzajúceho ohlásenia.

Pokyny pre bezpečnú obsluhu



- Nedodržanie týchto informácií môže viesť k poraneniu osôb alebo k poškodeniu zariadenia.
- Kvôli zníženiu rizika poranenia osôb používajte toto ovládacie zariadenie iba s jednotlivými alebo dvojíťmi výkyvnými dverami pre chodcov alebo skladacími dverami.
- Ak je potrebná oprava alebo nastavenie, zariadenie nepoužívajte.
- Odpojte napájanie, keď sa má vykonať čistenie alebo iná údržba.
- Ovládacie zariadenie môžu používať deti staršie ako 8 rokov, ak im boli poskytnuté pokyny osobou zodpovednou za ich bezpečnosť.
- Ovládacie zariadenie môžu používať deti staršie ako 8 rokov alebo mladšie, ak sú pod dozorom osoby zodpovednej za ich bezpečnosť.
- Ovládacie zariadenie môžu používať osoby so zníženými fyzickými, zmyslovými alebo mentálnymi schopnosťami, ak im boli poskytnuté pokyny osobou zodpovednou za ich bezpečnosť.
- Čistenie a užívateľskú údržbu nesmú vykonávať deti.
- Nedovoľte nikomu šplhať sa na dvere alebo hrať sa s nimi, resp. s pripevnenými/dialkovými ovládaniami.

- Dverovú súpravu je možné ovládať automaticky snímačmi alebo ručne aktivátormi. Môže sa tiež používať manuálne ako zatvárač dverí.

Blažujeme vám ku kúpe nových automatických dverí!dverí!

ASSA ABLOY Entrance Systems AB vyvíja automatické dvere už viac ako 50 rokov. Vďaka najmodernejšej technológii a starostlivému testovaniu materiálov a komponentov sa k vám dostáva prvotriedny produkt.

Podobne ako všetky iné technické výrobky, aj automatické dvere si vyžadujú pravidelnú údržbu a servis. Je nevyhnutné, aby ste poznali svoje automatické dvere (systém) a chápali dôležitosť ich údržby v súlade s príslušnými bezpečnostnými normami.

Váš miestny autorizovaný zástupca spoločnosti ASSA ABLOY Entrance Systems pozná tieto normy, ako aj všetky príslušné miestne predpisy a odporúčania spoločnosti ASSA ABLOY Entrance Systems pre elektrické dvere pre chodcov. Servis a nastavenia, ktoré vykonáva váš autorizovaný zástupca spoločnosti ASSA ABLOY Entrance Systems, zaisťujú bezpečnú a správnu prevádzku vašich automatických dverí.

Rušenie príjmu elektronických zariadení

Zariadenie môže vyžarovať a využívať rádiovú frekvenciu a ak sa nenainštaluje a nepoužíva náležite, môže spôsobovať rušenie rádiového a televízneho príjmu alebo iných systémov rádiového typu.

Ak iné zariadenie nespĺňa požiadavky odolnosti v plnom rozsahu, môže sa vyskytovať rušenie.

Neexistuje žiadna záruka, že v konkrétnej inštalácii sa nevyskytne rušenie. Ak toto zariadenie spôsobuje rušenie rádiového alebo televízneho príjmu, čo sa dá určiť vypnutím a zapnutím zariadenia, používateľovi sa odporúča, aby sa pokúsil odstrániť rušenie niektorým z nasledujúcich opatrení:

- Zmeniť orientáciu prijímacej antény.
- Premiestniť prijímač s ohľadom na zariadenie.
- Presunúť prijímač mimo zariadenia.
- Zapojiť prijímač do iného výstupu tak, aby boli zariadenie a prijímač v rôznych okruhoch.
- Skontrolovať, či je zapojené ochranné uzemnenie (PE).

V prípade potreby by sa používateľ mal obrátiť na predajcu alebo skúseného elektrotechnika, ktorý navrhne ďalšie možnosti.

Požiadavky životného prostredia

ASSA ABLOY Entrance Systems Produkty sú vybavené elektronikou a môžu byť vybavené aj batériami, ktoré obsahujú materiály nebezpečné pre životné prostredie. Pred odstránením elektroniky a batérie odpojte napájanie el. prúdom a zabezpečte, aby sa zlikvidovali náležite podľa miestnych predpisov (príslušným spôsobom a na príslušnom mieste) tak, ako bolo učené s obalovým materiálom.

Zodpovednosť za produkt

Podľa predpisov je vlastník alebo správca zariadenia zodpovedný za nasledovné:

- aby zariadenie fungovalo správne tak, aby poskytovalo dostatočnú ochranu, pokiaľ ide o bezpečnosť a zdravie;
- aby zariadenie ovládala a pravidelne vykonávala údržbu, kontrolu a servis osoba s preukázateľnou spôsobilosťou v práci so zariadením a v príslušných predpisoch;
- aby boli uchovávané k dispozícii dokumenty Servisný denník a Preberacia skúška na mieste a hodnotenie rizika (PRA-0007) na účely údržbových a servisných záznamov,
- aby sa kontrola vzťahovala na funkciu núdzového otvorenia (tam, kde je);
- zatváracia sila musí zodpovedať veľkosti dverí v rámci systémov požiarnych dverí (ak je to relevantné).

Záruka

ASSA ABLOY Entrance Systems ručí za bezchybnosť materiálu a vyhotovenia svojich výrobkov pri použití na určený účel a za servis počas záručnej doby 12 mesiacov, ktorá začína plynúť časom doručenia. Táto záruka sa vzťahuje iba na pôvodného kupujúceho daného zariadenia.

ASSA ABLOY Entrance Systems ručí za to, že softvér bude v podstate fungovať v súlade s jeho funkčným popisom a že bol nahraný na bezchybné médium.

Záruka spoločnosti ASSA ABLOY Entrance Systems sa nevzťahuje na:

- Bezchybnosť softvéru alebo neprerušenosť jeho prevádzky
- bežné opotrebovanie systému;
- poistky, jednorazové batérie a poškodenie skla;
- odchýlky systému spôsobené iným montérom než zo spoločnosti ASSA ABLOY Entrance Systems
- systém, ktorý bol zmenený alebo poškodený vandalizmom alebo nesprávnym použitím;
- systém, ktorý bol dodatočne vybavený komponentmi alebo náhradnými súčiastkami, ktoré nie sú originálnymi súčiastkami a/alebo náhradnými dielmi spoločnosti ASSA ABLOY Entrance Systems;
- nepotrebné návštevy z dôvodu slabej komunikácie klienta (dvere pracujú, keď príde náš technik, resetovanie, prerušenie elektrickej energie);
- Úpravy (rýchlosť zatvárania a otvárania, ako aj radary detekčných polí) na požiadanie zákazníka (vylučuje prevádzkové úpravy, ktoré sa považujú za vytvárajúce nebezpečenstvo)
- poškodenie vodou;
- nepriaznivé poveternostné podmienky;
- Akúkoľvek škodu spôsobenú priamo alebo nepriamo okolnosťou, ktorú nemôže príslušná spoločnosť v rámci ASSA ABLOY Entrance Systems ovplyvniť, napr. pracovné spory, požiar, prírodná katastrofa, vojna, rozsiahla vojenská mobilizácia, vzbura, konfiškácia, zhabanie, embargo, obmedzenia na použitie energie a chyby alebo meškania dodávok subdodávateľov spôsobené ktoroukoľvek z týchto okolností.

Poznámka:

- Nedodržanie odporúčaní výrobcu pre starostlivosť a údržbu môže spôsobiť zánik záruky.
- ASSA ABLOY Entrance Systems Autorizovaní predajcovia spoločnosti rozširujú túto záruku iba na koncových používateľov, nemajú však právomoc v mene spoločnosti ASSA ABLOY Entrance Systems rozširovať na nich širšiu alebo odlišnú záruku.
- Servisná zmluva so spoločnosťou ASSA ABLOY Entrance Systems napomôže zabezpečiť dostupnosť plne funkčného systému a prioritu pri objednávke technikov, čím sa minimalizuje čas, kedy sa systém nedá používať.

Servis

Pravidelne by sa mali vykonávať kontroly vyškolenou a kvalifikovanou osobou. Častot týchto kontrol by mala zodpovedať vnútroštátnym predpisom (alebo priemyselnej norme, ako nie sú prítomné žiadne vnútroštátne predpisy). Toto je obzvlášť dôležité vtedy, keď ide o inštaláciu certifikovaných protipožiarnych dverí alebo dverí s funkciou núdzového otvorenia. Na predĺženie životnosti vašej investície a zaistenie bezpečnej a spoľahlivej prevádzky dverí odporúčame minimálne 2 alebo viacero návštev za rok, a to v závislosti od používania a prevádzkových podmienok. Do úvahy by sa mali ziať taktiež environmentálne aspekty.

Kedže vaše vchody sú súčasťou vášho obchodného toku, jestvuje každý dôvod na to, aby fungovali dobre. ASSA ABLOY Entrance Systems vám ponúka odborné znalosti v oblasti údržby a modernizácie. Naše Programy údržby a Služby modernizácie pre automatizáciu vchodov sa opierajú o rozsiahle odborné znalosti pre všetky typy dverí pre chodcov a priemyselných dverí a dokovacie systémy, nezávisle od značky. K dispozícii je vám tím vyhradených odborných technikov, preverených desiatkami rokov údržby, servisu a spokojných zákazníkov.

Určené použitie

ASSA ABLOY SW200 je automatické ovládacie zariadenie výkyvných dverí, ktoré bolo vyvinuté na uľahčenie života každému, kto môže využívať automatické dvere. ASSA ABLOY SW200 je nízkoenergetické ovládacie zariadenie využívajúce jednosmerný motor a systém redukčného prevodu na pohon systému ramena, ktorý otvára dvere. Má sa inštalovať vnútri, kde je vhodné takmer pre všetky typy vonkajších a vnútorných výkyvných dverí. Toto široko používané ovládacie zariadenie môžete nájsť v zdravotníckych, bytových, kancelárskych a verejných budovách.

Dvere sú navrhnuté na nepretržitú prevádzku, vysoký stupeň bezpečnosti a maximálnu životnosť. Tento systém sa automaticky prispôsobuje účinkom spôsobeným bežnými zmenami poveternostných podmienok a drobným zmenám trenia spôsobeným napr. prachom a nečistotou.

Na účely úniku v núdzových situáciách sa dverová súprava otvára manuálne.

O inštalácii a údržbe si pozrite Inštaláciu a servisnú príručku 1009728 pre inštaláciu s aplikovaním na povrchu a 1009936 pre skrytú inštaláciu nad hlavou.

Tieto pokyny si odložte na použitie v budúcnosti.

Technické parametre

Výrobca:	ASSA ABLOY Entrance Systems AB
Adresa:	Lodjursgatan 10, SE-261 44 Landskrona, Sweden
Typ:	ASSA ABLOY SW200
Sieťové napájanie:	100-240 V AC +10/-15 %, 50/60 Hz
Príkion:	Max. 300 W
Trieda ochrany:	IP20
Akustický tlak:	$L_{pa} \leq 70 \text{ dB}(A)$
Schválenia:	Schválenia tretej strany uznávaných organizácií vydávajúcich osvedčenia platné pre bezpečnosť používania, pozri Vyhlásenie o zhode.

Ako funguje ASSA ABLOY SW200

Ovládacie zariadenie výkyvných dverí ASSA ABLOY SW200 využíva jednosmerný motor, ktorý je pripojený k výstupnému hriadeľu kombináciou kuželového súkolesia a čelných ozubených kolies. Systém ramena, ktorý je pripojený k výstupnému hriadeľu, otvára dvere pri použití s namontovaním na stene.





Je tiež prítomný nastaviteľný pružinový mechanizmus pripojený k výstupnému hriadeľu. Počas otvárania dverí sa hodinová pružina napne rotáciou výstupného hriadeľa. Počas zatváracieho cyklu naakumulovaná pružinová sila účinkuje v smere zatvárania. Pružinovú silu možno prispôsobiť tak, aby bola prítomná náležitá sila na zatvorenie dverí, keď sú obsluhované manuálne alebo v prípade výpadku el. prúdu.

Na aktivovanie ovládacieho zariadenia môžete použiť manuálny ovládač (laktívový spínač) alebo automatický ovládač (radarové zariadenie).. Je tiež možné (tam kde to dovoľujú miestne štandardy) aktivovať ovládacie zariadenie len potlačením dverí, ak je takýto systém „Push & Go“ zvolený.

Po aktivovaní sa dvere otvoria a zostanú otvorené počas špecifikovanej Doby podržania otvorenia (DPO). Po uplynutí DPO sa dvere zatvoria.

ASSA ABLOY SW200 možno nastaviť na tri alebo štyri rozličné režimy, v závislosti od voliteľného typu voliča programu, pozri tabuľku nižšie.

Pri plne manuálnom používaní (alebo v prípade výpadku el. napájania) ASSA ABLOY SW200 účinkuje ako normálny zatvárač dverí.

Pozícia	Funkcia
 Vyp.	Dvere sú zatvorené. Dvere sa nedajú otvoriť pomocou vnútorných a vonkajších aktivačných zariadení. Keď je namontované elektromechanické zaisťovacie zariadenie, dvere sú zamknuté. Dvere sa nedajú otvoriť pomocou kľúčového spínača (ak je namontovaný).
 Koniec	Prechod len z vnútornej strany. Keď je namontované elektromechanické zaisťovacie zariadenie, dvere sú normálne zamknuté. Dvere sa môžu otvoriť len pomocou vnútorného aktivačného zariadenia alebo pomocou kľúčového spínača (ak je namontovaný).
 Automaticky Normálna poloha	Dvere sa môžu otvárať pomocou vnútorných alebo vonkajších ručných a/alebo automatických ovládačov. Elektrický otvárač dverí, ak je namontovaný, je otvorený.
 Otvoriť	Dvere sú držané permanentné otvorené motorom.

ASSA ABLOY SW200 Varianty

ASSA ABLOY SW200 -SA-152X152:	Použitie Surface Applied v preklade širokom 152 mm x vysokom 152 mm
ASSA ABLOY SW200 -OHC:	Použitie OHC v preklade širokom 152 mm x vysokom 152 mm

Pravidelné bezpečnostné kontroly

Aby sme vám pomohli s dodržaním vnútroštátnych/medzinárodných požiadaviek a pri predchádzaní poruchám a riziku zranení, pripravili sme nasledovný kontrolný zoznam.



Ak je potrebná oprava alebo nastavenie, ovládacie zariadenie nepoužívajte. Pri čistení, alebo keď sa musí vykonať iná údržba, odpojte prívod elektrického prúdu ¹⁴.

Každodenná činnosť		Keď sa vyskytne problém
Aktivujte ovládacie zariadenia a vizuálne skontrolujte upevnenie a akékoľvek poškodenie <ul style="list-style-type: none"> • ovládacieho zariadenia ¹ • systému ramena ² • káble ³ • Ovládací spínač ⁴ • pántov ⁵ • dverí a skla ⁶ 		
Skontrolujte aj ovládacie zariadenie a vizuálne skontrolujte: <ul style="list-style-type: none"> • ostrých hrán na dverovom krídle alebo dverovom ráme (ak sú prítomné) ⁷ • stav tesnení dverí ⁸ • ochrana prstov ⁹ • a nakoniec, či sa celé dvere pohybujú riadne a či sa zatvárajú pomaly hladkým spôsobom 		
Volič režimu prevádzky nastavte do polohy Vyp. (Vypnuté) a skontrolujte súčinnosť ovládacieho zariadenia s elektromagnetickým zámkom (ak je namontovaný). Skontrolujte tiež, či zámok ¹⁰ skutočne zaisťuje dvere.		
Aktivujte manuálne aktivačné zariadenia ¹¹ , ak sú namontované, a kráčajte smerom ku dverám. Keď prechádzate cez vchod/východ, skontrolujte, či sa dvere dostatočne otvárajú. Potom rovnakým spôsobom postupujte s automatickými aktivačnými zariadeniami ¹² .		
Skontrolujte bezpečnostné senzory ¹³ (ak sú nejaké prítomné) postavením sa do dráhy vykývnutia a aktivujte ovládacie zariadenie. Dvere vás nesmú zasiahnuť ani v prípade otvárania a ani v prípade zatvárania. Ak si nie ste istí, ktorý typ senzora máte, kontaktujte svojho zástupcu spoločnosti ASSA ABLOY Entrance Systems.		
Únikové dvere	Volič programu nastavte do režimu AUTO. Potlačte dvere manuálne v smere úniku a uistite sa, aby žiadny predmet alebo funkcia nebránili dverám v otvorení. Presvedčte sa tiež, či je únikový východ voľný na použitie.	
Požiarne dvere	Po prijatí impulzu dvere nechajte, aby sa zatvorili a uistite sa, či nič nebráni v ich zatváraní a zamkynaní (ak sa to požaduje podľa predpisov).	
Zaškolení pracovníci musia podľa zákona pravidelne vykonávať tieto skúšky.		

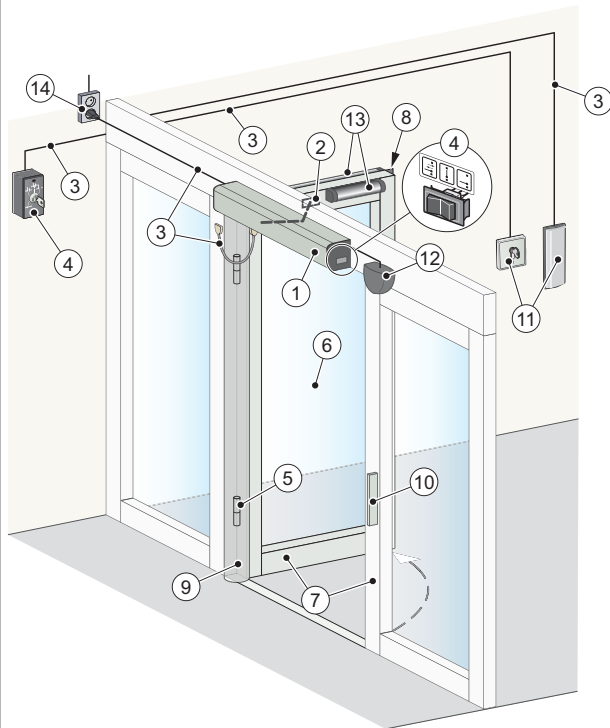


= Vykonajte príslušné opatrenia.



= Kontaktujte svojho zástupcu spoločnosti ASSA ABLOY Entrance Systems. Kontaktné informácie nájdete na poslednej strane.

FUNKČNÁ A VIZUÁLNA KONTROLA



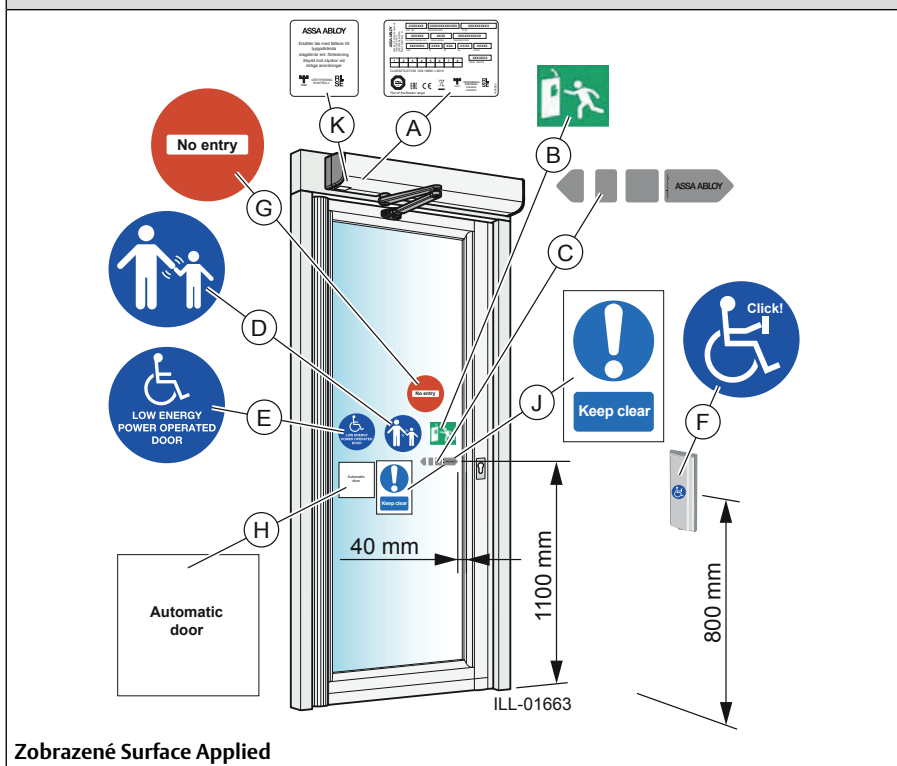
Zobrazené Surface Applied

ČISTENIE


Najlepší spôsob, ako zo zariadenia ASSA ABLOY SW200 odstrániť prach a špinu, je používanie vody a mäkkej handričky alebo špongie. Môže sa používať neagresívny čistiaci prostriedok. Môže sa používať jemný čistiaci prostriedok. Na zachovanie kvality povrchovej úpravy by sa povrchy mali čistiť pravidelne, teda raz za štyri mesiace. Čistenie by sa malo zdokumentovať. Aby sa predišlo poškodeniu profilov, štetiny alebo tesnenia na dverách sa musia čistiť vysávačom raz týždenne.

- Okná, dvere a profily chráňte pred žieravinami. Hliník aj sklo sú citlivé na žieraviny.
- Nečistite vodou pod vysokým tlakom. Môže sa poškodiť ovládacie zariadenie, volič režimu a snímač a do profilov sa môže dostať voda.
- Nepoužívajte leštiaci čistiaci prostriedok.
- Nedrhňte materiálmi ako Scotch-brite (drsná špongia), pretože môžu spôsobiť mechanické poškodenie.

ZNAČENIE



Zobrazené Surface Applied

Činnosť		Keď sa vyskytne problém
<p>Skontrolujte, či sú všetky značenia na svojom mieste a nepoškodené. Povinné znamená, že značenie si vyžadujú európske smernice a príslušná vnútroštátna legislatíva mimo Európskej únie.</p>		
(A)	Označenie produktu: Povinné	
(B)	Núdzové roztvorenie: Povinné, ak je schválené pre únikovú cestu.	
(C)	ASSA ABLOY Entrance Systems Nálepka na dverách: V prípade potreby povinné na zdôraznenie prítomnosti skla (nalepuje sa na všetky sklené časti, ktoré sa pohybujú).	
(D)	Dozor nad dieťaťom (nalepuje sa na obidve strany dverí): Povinné podľa vnútroštátnych predpisov. Odporúčaná, ak analýza rizík uvádza používanie deťmi.	
(E)	Ovládacie zariadenie určené pre zdravotne postihnutých ľudí: Odporúča sa, ak je potrebné (vzťahuje sa na obidve strany dverí).	
(F)	Aktivácia zdravotne postihnutým človekom: Odporúčaná, ak je potrebné.	
(G)	Zákaz vstupu, označuje jednosmernú premávku: V prípade potreby povinné v GB a US, nezahnuté vo výrobku.	
(H)	Automatic door	
(J)	Udržujte priestory voľné	
(K)	Štítok SITAC: Povinné v SE	



= Kontaktujte svojho servisného zástupcu spoločnosti ASSA ABLOY Entrance Systems. Kontaktné informácie nájdete na poslednej strane.

Bežné príslušenstvo

- Ovládací spínač ④, [pozri stranu 244](#)
- Elektrický zámok ⑩, [pozri stranu 244](#)
- Kľúčový spínač ⑪, [pozri stranu 244](#)
- Laktový spínač ⑪, [pozri stranu 244](#)
- Radar ⑫, [pozri stranu 244](#)
- Bezdrôtové vysielacie (nie je zobrazené)
- Riadenie prístupu (nie je zobrazené)
- Doraz dverí (nie je zobrazené)

Bezpečnostné príslušenstvo

- Bezpečnostné senzory ⑬, [pozri stranu 244](#).
- Ochrana prstov ⑨, [pozri stranu 244](#).

Odstraňovanie problémov

Problém	Nápravné opatrenia
Dvere sa neotvoria	
Elektromotor sa nespúšťa	Zmeňte nastavenie voliča režimu. (Pozri stranu 242).
	Skontrolujte, či sa v detekčnej zóne nenachádzajú predmety, keď je namontovaný senzor.
	Skontrolujte sieťové napájanie a poistky v budove.
Motor sa spustí, ale dvere sa neotvárajú	Odomknite mechanické zámky.
	Skontrolujte, či pod dverami nie je niečo zaseknuté.
Dvere sa nezatvárajú	Zmeňte nastavenie voliča režimu. (Pozri stranu 242).
	Skontrolujte, či sa v detekčnej zóne nenachádzajú predmety, keď je namontovaný senzor.
	Skontrolujte, či pod dverami nie je niečo zaseknuté.
Dvere sa otvárajú a zatvárajú nepretržite	Skontrolujte, či sa vo vzdialenosti 1 – 1,5 m (39" – 59") od dverí nenachádzajú pohyblivé predmety, keď je namontované automatické aktivačné zariadenie.
Ak problém pretrváva, kontaktujte svojho zástupcu spoločnosti ASSA ABLOY Entrance Systems.	

Servis/údržba

Servis a nastavenia, ktoré vykonáva váš autorizovaný zástupca spoločnosti ASSA ABLOY Entrance Systems, zaisťujú bezpečnú a správnu prevádzku vašich automatických dverí. Pamätajte na to, aby ste uchovávali k dispozícii dokumenty Servisný denník a Preberacia skúška na mieste a hodnotenie rizika (PRA-0007). Tieto sa používajú spolu.

Tabuľka uvedená nižšie uvádza odporúčaný interval v mesiacoch, kedy sa majú vymieňať diely počas preventívnej údržby. Obráťte sa na svojho zástupcu spoločnosti ASSA ABLOY Entrance Systems a dozvedte sa viac o našej ponuke služieb.

Súčiastka	Číslo dielu	Cykly/hodiny prevádzky			Drsné Prostredie
		<10	<100	>100	
		Nízka premávka	Stredná premávka	Vysoká premávka	
Servisná súprava ramena PUSH	330000271 SI/BK	24	12	6	6
Servisná súprava ramena PULL	330000272 SI/BK	24	12	6	6
Súprava ramena dorazu	330000276	24	12	6	6
Súprava mikrosplínačov	330000275	24	12	6	6
Adaptérová súprava	330000270 SI/BK	24	12	6	6
Prevodová jednotka	331007291	60	60	60	60
Riadiaca jednotka CU-200 s doskami EXU	331008346	60	60	60	60
Batéria	33738753	24	24	24	24

Ďalšie produkty spoločnosti ASSA ABLOY Entrance Systems

- Dverové systémy
- Balančné dvere
- Vzduchové clony
- Turniketové dvere
- Posuvné dvere
- Automatické a ručné aktivačné zariadenia
- Stropné sekčné vráta
- Servis, napr. preventívna údržba a zlepšovacie programy, núdzové opravy, servisné poradenstvo a správa dverí
- Vertikálne tkaninové vráta
- Vyrovnávacie prvky v doku
- Prístrešky v dokoch
- Skladacie dvere
- Rýchlobežné vráta
- Komory loadhouse

My **ASSA ABLOY Entrance Systems AB**
Lodjursgatan 10
SE-261 44 Landskrona
Sweden

prehlasujeme na svoju výlučnú zodpovednosť, že typ zariadenia:
SW200

zodpovedá nasledujúcim smerniciam:

Smernica 2014/30/ES o elektromagnetickej kompatibilite (EMCD)

Smernica 2006/42/ES o strojných zariadeniach (MD)

Smernica 2011/65/EÚ o obmedzení používania určitých nebezpečných látok v elektrických a elektronických zariadeniach s platnými zmenami a doplneniami (ONL)

Použité harmonizované európske normy:

EN ISO 13849-1:2015

EN 60335-1:2012+A11:2014

EN 60335-2-103:2015

EN 61000-6-2:2005

EN 61000-6-3:2007+A1:2011

EN 16005:2012/AC:2015

Ďalšie použité normy a technická špecifikácia:

FCC 47 CFR Part 15 B

UL 325

IEC 60335-1 ed 5:2010

IEC 60335-2-103: ed. 2.1:2011

EN 1634-1:2008

Osvedčenie vydané notifikovaným alebo príslušným orgánom (pre úplnú adresu kontaktujte, prosím

ASSA ABLOY Entrance Systems AB) týkajúce sa vybavenia:

SC0072-14

UL File E47833

UL File R9469

Výrobný proces zaručuje súlad zariadenia s technickou dokumentáciou. Do výrobného procesu pravidelne vstupuje tretia strana.

Označenie CE bolo prvýkrát použité 2013-11-04.

Zostavenie technickej dokumentácie:

Anders Forslind

ASSA ABLOY Entrance Systems AB

Lodjursgatan 10

SE-261 44 Landskrona

Sweden

Miesto
Landskrona

Dátum
2021-04-16

Podpis
Klas Hagelin

Podziaca
Global Quality Manager



SK

ASSA ABLOY Entrance Systems je popredným dodávateľom riešení v oblasti automatizácie vstupov na účely dosahovania efektívneho toku ľudí a tovarov. V nadväznosti na dlhodobý úspech značiek Besam, Crawford, Albany a Megadoor ponúkame naše riešenia pod značkou ASSA ABLOY. Naše produkty a služby sú zamerané na uspokojovanie potrieb koncových používateľov, čo sa týka bezpečných, zabezpečených, pohodlných a udržateľných prevádzkových činností. ASSA ABLOY Entrance Systems je divíziou v rámci ASSA ABLOY.

assaabloyentrance.com

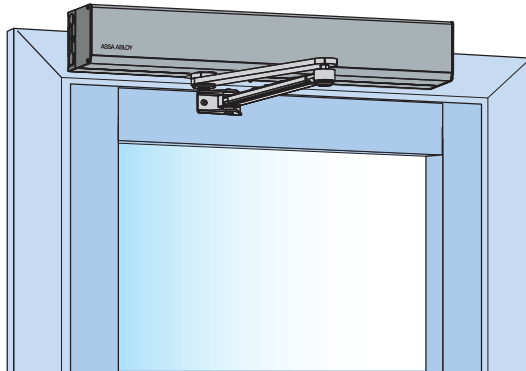


ASSA ABLOY Entrance Systems

Tel.:+46 10 47 47 000
info.aaes@assaabloy.com
assaabloyentrance.com

회전문 작동장치 ASSA ABLOY SW200

사용 설명서 원본 설명서



목차 - 원본 설명서

주의사항	253
고객 여러분의 새로운 자동문 사용을 축하드립니다!	254
전기 장비 수신 장애	254
환경 요건	254
제조물 책임	254
품질보증	254
서비스	255
용도	255
기술 사양	256
ASSA ABLOY SW200의 작동 원리	256
ASSA ABLOY SW200 옵션	256
정기 안전 점검	257
일반 액세서리	260
안전 액세서리	260
문제해결	260
서비스/유지보수	261
기타 제품ASSA ABLOY Entrance Systems	261
적합성 선언	262

ASSA ABLOY 상표와 로고는 ASSA ABLOY Group의 소유입니다.

© ASSA ABLOY Entrance Systems.2021

기술 데이터는 고지 없이 수정될 수 있습니다.

주의사항



- 본 설명서를 따르지 않을 시 부상을 입거나 장비가 파손될 수 있습니다.
- 부상을 방지하기 위해 본 작동장치는 싱글 또는 더블 보행자용 회전문 또는 접이문에만 사용하십시오.
- 수리나 조절이 필요한 경우 장비를 사용하지 마십시오.
- 청소 등 유지보수 시에는 전원을 끄십시오.
- 본 작동장치는 안전을 책임지는 이로부터 교육을 받은 8세 이상 아동만 사용할 수 있습니다.
- 본 작동장치를 8세 이하 아동이 사용하는 경우 안전 책임자가 감독할 시에만 사용할 수 있습니다.
- 본 작동장치를 신체/정신 장애인이 사용하는 경우 안전 책임자로부터 교육을 받은 후에만 사용할 수 있습니다.
- 아동은 청소 및 유지보수를 할 수 없습니다.
- 아이들이 문에 올라가거나 장난치거나 고정/원격 제어장치를 함부로 작동시키지 못하도록 하십시오.
- 도어셋은 센서로 자동 작동하거나 작동장치로 수동 작동시킬 수 있습니다. 도어 클로저로 수동 사용도 가능합니다.

고객 여러분의 새로운 자동문 사용을 축하드립니다.!

ASSA ABLOY Entrance Systems AB50년 이상 자동문을 개발했습니다. 최첨단 기술과 신중하게 시험을 통과한 소재 및 컴포넌트를 통해 우수한 제품을 제공하고 있습니다.

다른 기술 전문 제품과 마찬가지로 자동문도 유지보수와 수리가 정기적으로 필요합니다. 반드시 귀하의 자동문(시스템)에 대해 파악하면서도 해당 안전 표준 준수에 대한 중요성을 인식해야 합니다.

귀하게 해당되는 ASSA ABLOY Entrance Systems 공인 담당자는 본 표준을 비롯해 관련 현지 기술기준 및 동력구동 보행자 도어에 대한 ASSA ABLOY Entrance Systems 권장사항에 대해 잘 알고 있습니다. ASSA ABLOY Entrance Systems 공인 담당자의 서비스 및 조정을 통해 귀하의 자동문 장치가 안전하고 적절하게 작동하도록 보증합니다.

전기 장비 수신 장애

본 장비는 무선 주파수 에너지를 발생 및 사용할 수 있으며, 적절히 설치 및 사용하지 않을 시 라디오, TV 등의 수신을 비롯한 무선 주파수에 장애를 일으킬 수 있습니다.

다른 장비가 내성 요건에 완전히 부합하지 않을 경우 장애가 발생할 수 있습니다.

특정 설치 장소에서 장애가 발생하지 않는다는 보장은 없습니다. 장비를 켜다가 켜서 본 장비가 라디오 또는 TV 수신에 장애를 일으키는 것으로 확인되는 경우, 사용자는 다음 방법으로 장애를 제거하는 것이 좋습니다.

- 수신 안테나의 방향을 조절합니다.
- 리시버를 장비로부터 옮깁니다.
- 리시버를 장비에서 먼 곳에 둡니다.
- 리시버를 장비와 다른 콘센트에 연결합니다.
- 보호 접지(PE)가 잘 되어 있는지 확인합니다.

필요시 대리점이나 전문 기술자에게 추가 지침을 문의해야 합니다.

환경 요건

ASSA ABLOY Entrance Systems 본 제품에는 전자장치가 장착되며 환경에 유해한 물질이 들어 있는 배터리도 장착될 수 있습니다. 전자장치 및 배터리를 꺼낼 때는 먼저 전원에서 분리하고 현지 규정(방법 및 장소)에 따라 적절히 폐기하십시오. 포장재에 대해서도 이와 같이 하십시오.

제조물 책임

규정에 따라 장비 소유자 또는 관리자의 책임은 다음과 같습니다

- 장비가 올바르게 작동하도록 하여 안전 및 건강을 충분히 보호해야 합니다
- 장비 및 관련 규정에 대해 문서화된 권한을 보유한 이가 장비를 작동하고 정기적으로 유지보수, 검사 및 수리를 해야 합니다
- 제공된 "서비스 등록증" 및 "현장 성능 검사 및 안전 평가" 문서(PRA-0007)는 유지보수 및 서비스 기록용으로 보관해야 합니다
- (가능하다면) 비상 개방 기능이 검사에 포함되어야 합니다
- 화재 승인 도어 시스템에 대해서는 (해당되는 경우) 폐쇄력은 도어의 크기에 적합해야 합니다.

품질보증

ASSA ABLOY Entrance Systems (은)는 제품 인도 시점 후 보증 기간인 12개월 동안 제품을 용도에 적합하도록 사용하고 서비스를 받는 한 재료 및 제조상의 하자가 없음을 보증합니다. 이 보증은 장비 구입자에게만 적용됩니다.

ASSA ABLOY Entrance Systems(은)는 소프트웨어가 대체로 기능적 설명에 따라 작동하고 결함이 없는 미디어에 기록됐음을 보증합니다.

ASSA ABLOY Entrance Systems 품질보증은 다음에 적용되지 않음

- 소프트웨어는 오류가 없거나 중단 없이 작동
- 시스템의 일반 마모 및 손상
- 퓨즈, 일회용 배터리 및 유리 손상
- ASSA ABLOY Entrance Systems 이외의 설치자에 의한 시스템 편차
- 기물 파손이나 오용으로 인한 시스템 변경 또는 손상
- 비ASSA ABLOY Entrance Systems 정품 브랜드 부품 및/또는 예비 부품이 추가로 장착된 시스템
- 잘못된 고객 의사소통으로 인한 무단 방문 (기술자가 도착한 시점에서 문 열림, 리셋, 전원 중단)
- 고객 요청으로 인한 조정 (개폐 속도 및 감지 필드 레이다) (위험 초래가 예상되는 작동 조정 제외)
- 수피해
- 극심한 기상 조건
- 산업 분쟁, 화재, 자연재해, 전쟁, 광범위한 군대 동원, 폭동, 징발, 압수, 금수 조치, 전원 사용 제한, 해당 상황으로 인한 하도급인의 인도 지연 또는 결함 같이 ASSA ABLOY Entrance Systems 내의 해당 회사의 통제를 벗어난 상황 때문에 직간접적으로 야기된 손해

참고 사항:

- 제조업체의 관리 및 유지보수 권장사항을 준수하지 않으면 품질보증이 무효화될 수 있습니다.
- ASSA ABLOY Entrance Systems 공인 재판매입체는 본 품질보증을 최종 사용자에게만 확대하나, ASSA ABLOY Entrance Systems(을)를 대리하여 품질보증을 더 확대하거나 다르게 적용할 권한이 없습니다.
- ASSA ABLOY Entrance Systems(와)과 맺은 서비스 계약은 작동 시스템을 완전히 사용할 수 있도록 보장하고 출장 서비스 시 우선순위를 부여하므로 장비 미사용 시간이 최소화됩니다.

서비스

검사는 교육을 받고 자격을 갖춘 사람이 정기적으로 수행해야 합니다. 해당 검사의 빈도는 국내 규정 (국내 규정이 없을 경우 산업 표준)에 따라야 합니다. 이는 특히 설치가 화재 관련 문이거나 긴급 상황용 개폐문인 경우에 중요합니다. 귀하의 투자 기간을 연장하고 안전하고 신뢰할 수 있도록 도어를 운영하기 위해서는 사용 및 운영 조건에 따라 최소 2회 이상 방문하시기를 권장합니다. 환경적 측면 또한 고려하셔야 합니다.

귀사의 출입구는 사업적 흐름의 일부에 해당되므로, 출입구는 제대로 작동해야만 합니다.

다. ASSA ABLOY Entrance Systems(은)는 귀사가 신뢰할 수 있는 유지보수 및 현대화 전문 지식을 제공합니다. 입구 자동화 유지보수 프로그램 및 현대화 서비스는 브랜드와 관계 없이 모든 종류의 보행자 및 산업용 도어 및 도킹 시스템에 대한 광범위한 전문 지식의 지원을 받습니다. 수십 년간의 유지보수, 서비스 및 고객 만족을 통해 입증된 전담 전문 기술자팀을 귀사에서 원하는 대로 쓸 수 있습니다.

용도

ASSA ABLOY SW200은 회전문 자동 작동장치로서 모든 이에게 생활 편의 및 자동문 혜택을 제공하고자 개발했습니다. ASSA ABLOY SW200은 저에너지 작동장치로서 DC 모터 및 기어 감속 시스템을 사용하여 암 시스템을 구동함으로써 도어를 개폐합니다. 실내에 설치하는 경우 거의 모든 내/외부 회전문에 적합합니다. 두루 사용되는 본 작동장치는 보건, 주거, 사무실 및 공공건물 시설에서 확인하실 수 있습니다.

이 문은 장시간 연속 사용해도 문제가 없으며 안전하고 사용 수명이 깁니다. 본 시스템은 여러 기후에서 발생하는 정상 진동으로 인한 영향 및 먼지 등으로 인해 발생하는 작은 마찰에 대해 자가 조정 기능이 있습니다.

긴급 상황에서 대피할 경우 도어셋은 수동으로 열어야 합니다.

설치 및 유지보수에 대해서는 설치 및 서비스 설명서를 참조하실 수 있고 1009728은 상부 표면에 설치하며 1009936은 오버헤드 컨실드에 설치합니다.

본 설명서는 잘 보관하여 나중에 참고하십시오.



기술 사양

제조사:	ASSA ABLOY Entrance Systems AB
주소:	Lodjurgatan 10, SE-261 44 Landskrona, Sweden
유형:	ASSA ABLOY SW200
주 전원공급장치:	100-240V AC +10/-15%, 50/60 Hz
전력 소비량:	최대 300W
보호 등급:	IP20
음압:	$L_{pa} \leq 70 \text{ dB}(A)$
승인:	공인 인증기관의 외부 안전 승인 득함, 적합성 선언서 참고.

ASSA ABLOY SW200의 작동 원리

회전문 작동장치 ASSA ABLOY SW200은 DC 모터를 이용하며 이는 베벨 기어와 스퍼 기어를 함께 이용한 장치로 출력 축에 연결되어 있습니다. 벽에 장착하여 사용할 시 출력 축에 연결된 암 시스템으로 문이 열립니다.





조절식 스프링 메커니즘이 출력 축에 연결되어 있습니다. 문이 열리는 중 출력 축이 회전함에 따라 클럭 스프링에 힘이 가해집니다. 닫기 주기 중에는 누적된 스프링의 힘이 닫히는 방향으로 작용합니다. 스프링의 힘을 조절하여 수동으로 작동하거나 정전 시 수동으로 작동할 수 있는 충분한 힘이 가해지도록 합니다.

작동장치를 활성화하려면 수동 액티베이터를 사용하거나 (엘보 스위치) 자동 액티베이터를 사용합니다 (레이더 장치). 해당 국가의 표준에서 허용될 경우 푸쉬앤고(Push & Go)를 선택하면 도어를 밀기만 해도 작동장치가 활성화됩니다.

도어가 활성화된 후에는 지정된 개방유지시간 (HOT: Hold Open Time) 동안 계속 열려 있게 됩니다. HOT가 경과하면 도어가 닫힙니다.

ASSA ABLOY SW200은 서너 가지 모드로 설정할 수 있으며, 해당 모드는 옵션 프로그램 선택기 종류에 따라 다르니 아래 표를 참조하십시오.

완전 수동으로 사용할 경우 (또는 정전이 발생할 경우) ASSA ABLOY SW200은(는) 정상 도어 클로저로 작동합니다.

직위	기능
 OFF	도어가 닫혀 있습니다. 내/외부 액티베이션 유닛으로는 문을 열 수 없습니다. 전기기계적 잠금장치를 설치한 경우 문은 잠긴 상태입니다. 키스위치(설치한 경우)로 문을 열 수 있습니다.
 EXIT	내부에서 나가는 경우에만 사용합니다. 전기기계적 잠금장치를 설치한 경우 문은 보통 잠긴 상태입니다. 키스위치 (설치한 경우) 및 내부 액티베이션 유닛으로만 문을 열 수 있습니다.
 AUTO 정상 위치	내/외부 수동 및/또는 자동 액티베이터로 문을 열 수 있습니다. 전기 스트라이크가 설치되어 있을 경우 열립니다.
 OPEN	문이 모터에 의해 영구적으로 열린 상태입니다.

ASSA ABLOY SW200 옵션

ASSA ABLOY SW200 -SA-152X152:	표면적용 설치 너비 152mm x 높이 152mm 헤더
ASSA ABLOY SW200 -내장형:	OHC 설치 너비 152mm x 높이 152mm 헤더

정기 안전 점검

국가/국제 요건을 충족시키고 오작동 및 부상 위험을 피할 수 있도록 당사에서는 다음 체크리스트를 제공했습니다.



수리 또는 조정이 필요할 경우에는 작동 장치를 사용하지 마십시오.

전원은 ⑭ 청소 등 유지보수 시에는 끄십시오.

일과 조치		문제가 발생할 경우	
작동장치를 활성화시킨 다음 육안으로 점검하고, 조임 및 다음을 점검합니다 <ul style="list-style-type: none"> • 작동장치 ① • 압 시스템 ② • 케이블 ③ • 제어 스위치 ④ • 힌지 ⑤ • 도어 및 유리 ⑥ 			
또한 작동 장치를 검사하고 시각적으로 검사하여 <ul style="list-style-type: none"> • 문짝 및 문틀의 모서리 (해당될 경우) ⑦ • 문의 봉인 상태 ⑧ • 손가락 보호 ⑨ • 그런 다음 전체 도어가 제대로 작동하고 천천히 부드럽게 닫히는지 점검합니다 		 	
모드 선택기를 OFF(으)로 설정하고 작동 장치와 전기기계 잠금 장치 (탑재됐을 경우) 함께 작동하는지 확인하십시오. 또한 잠금 장치가 ⑩ 실제로 문을 안전하게 고정하는지 확인하십시오.			
문 쪽으로 사물 또는 거동이 있을 경우, 수동 액티브이션 유닛을 활성화합니다 ⑪ 출입구를 지나갈 때 문이 제대로 열렸는지 확인하십시오. 그런 다음 자동 액티브이션 유닛에 대해서도 ⑫ 같은 방법으로 진행하십시오.			
안전 센서 점검은 ⑬ 해당될 경우, 회전 경로에서 서서 작동장치를 활성화하여 수행합니다. 개폐 시 절대로 사람이 문에 치이면 안 됩니다. 센서의 종류를 모를 경우 귀하의 ASSA ABLOY Entrance Systems 담당자에게 문의하십시오.			
대피용 도어	이 페이지는 ASSA ABLOY Entrance Systems의 제품 매뉴얼입니다.	프로그램 선택기를 자동 모드로 놓습니다. 도어를 수동으로 대피 방향으로 밀고 문이 열리는 데 방해가 되는 물체 또는 기능이 없도록 거듭 확인하십시오. 또한 대피로를 자유롭게 사용할 수 있도록 거듭 확인하십시오.	
화재 도어		임펄스 후에는 문이 닫히지 않도록 하여 문이 닫히거나 잠기는 상황을 방지합니다(규제 요건일 경우).	

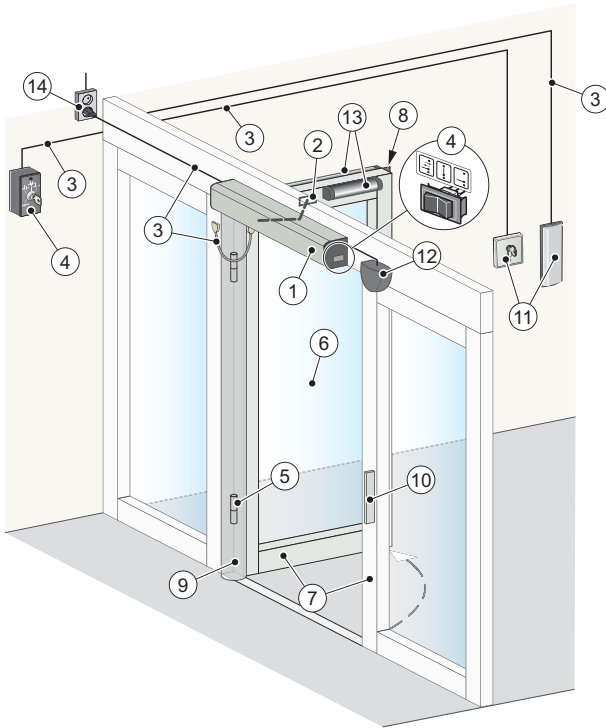


= 적절한 조치를 취하시기 바랍니다.



= 담당자에게 ASSA ABLOY Entrance Systems 문의하십시오. 문의처는 마지막 페이지를 참조하십시오.

기능 및 육안 검사



표면적용 표시

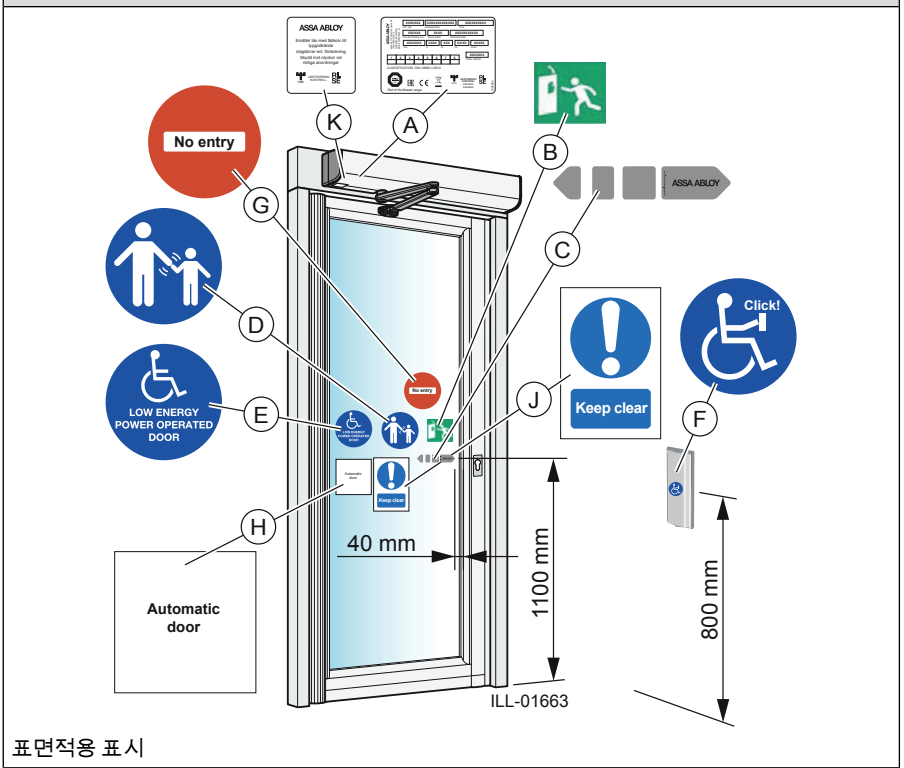
세척

ASSA ABLOY SW200 에서 먼지 및 오물을 제거하는 가장 좋은 방법은 물과 부드러운 천 또는 스폰지를 사용하는 것입니다.

순한 세제는 사용해도 됩니다. 표면 처리의 품질 수준을 유지하려면 표면을 1~4개월 주기로 청소해야 합니다. 세척은 문서화로 기록해야 합니다. 프로파일 손상을 방지하려면 솔/툼마개 재료는 매주

- 창, 문, 프로필을 알칼리에 노출시키면 안 됩니다. 알루미늄과 유리는 둘다 알칼리에 민감합니다.
- 고압수로 세척해서는 안 됩니다. 작동 장치, 모드 선택기, 센서는 손상이 될 수 있고 물이 프로필에 들어갈 수 있습니다.
- 광택성 세제를 사용하면 안 됩니다.
- 기계적 손상을 일으킬 수 있으므로 Scotch-Brite 같은 물질로 문지르지 마십시오.

사이니지



표면적용 표시

동작	문제가 발생할 경우
필요한 표시가 모두 부착되고 상태가 온전하지 확인하십시오. 표시 부착은 유럽연합 지침 및 유럽연합 이외의 동등한 국가 법률에 의한 의무사항입니다.	
(A) 제품 라벨: 의무사항	
(B) 긴급 브레이크아웃 대피로에 적용할 시 의무사항입니다.	
(C) ASSA ABLOY Entrance Systems 문 스티커: 해당되는 경우 유리의 존재를 강조 표시하려는 경우 필수입니다. (움직이는 모든 유리 부분에 적용)	
(D) 아동 감독(문 양쪽에 부착): 국가 규정에 따라 의무사항입니다. 위험 분석에 따라 아동이 사용할 수 있는 경우 권장됩니다.	
(E) 장애인용으로 설계된 작동장치: 해당하는 경우 권장됩니다(문 양쪽에 부착).	
(F) 장애인 작동: 해당하는 경우 권장됩니다.	
(G) 출입 금지, 일방통행 파악: 해당하는 경우 영국/미국에서 의무사항이며 제품에는 포함되지 않습니다.	
(H) Automatic door	
(J) 가까이 오지 말 것	
(K) SITAC 라벨: SE의 경우 필수	

= 귀하의 ASSA ABLOY Entrance Systems 서비스 담당자에게 문의하십시오. 문의처는 마지막 페이지를 참조하십시오.

일반 액세스서리

- 제어스위치 ④, 258페이지 참조
- 전기잠금 장치 ⑩, 258페이지 참조
- 키스위치 ⑪, 258페이지 참조
- 엘보 스위치 ⑪, 258페이지 참조
- 레이더 ⑫, 258페이지 참조
- 무전 송신기 (그림 없음)
- 액세스 제어 (그림 없음)
- 도어 스톱 (그림 없음)

안전 액세스서리

- 안전 센서 ⑬, 258페이지 참조.
- 손가락 보호대 ⑨, 258페이지 참조.

문제해결

문제 상황	해결책
문이 열리지 않습니다.	
모터가 작동하지 않습니다.	<p>모드 선택기의 설정을 변경합니다. (256페이지 참조).</p> <p>센서가 설치되어 있을 경우 감지 영역 내에 물체가 없는지 확인하십시오.</p> <p>건물의 주 전원과 퓨즈를 점검하십시오.</p>
모터가 켜졌으나 문이 열리지 않음	<p>기계 잠금을 해제하십시오.</p> <p>문 아래에 물체가 끼지 않았는지 확인하십시오.</p>
문이 닫히지 않습니다.	<p>모드 선택기의 설정을 변경합니다. (256페이지 참조).</p> <p>센서가 설치되어 있을 경우 감지 영역 내에 물체가 없는지 확인하십시오.</p> <p>문 아래에 물체가 끼지 않았는지 확인하십시오.</p>
문들이 계속 열리고 닫힙니다.	<p>자동 액티베이션 유닛이 설치되어 있을 경우 도어로부터 1-1.5m (39-59인치) 이내에 움직이는 물체가 없는지 점검하십시오.</p>
문제가 계속될 경우 담당자에게 문의하십시오.	ASSA ABLOY Entrance Systems

서비스/유지보수

공인 담당자의 서비스 및 조정을 통해 ASSA ABLOY Entrance Systems-귀하의 자동문 장치가 안전하고 적절하게 작동하도록 보증합니다.

"서비스 등록증" 및 "현장 성능 검사 및 안전 평가" 문서(PRA-0007)를 반드시 보관하십시오. 해당 문서들을 함께 사용해야 합니다.

아래 표는 예방 정비 중 부품을 교체할 때 권장되는 월 단위 간격을 나타냅니다. 당사 서비스 제공에 대한 자세한 정보는 ASSA ABLOY Entrance Systems 담당자에게 문의하십시오.

부품	부품 번호	작동 주기/시간			가혹한 환경
		<10	<100	>100	
		낮은 이용량	중간 이용량	높은 이용량	
푸시암 서비스 키트	330000271 SI/BK	24	12	6	6
풀암 서비스 키트	330000272 SI/BK	24	12	6	6
스톱암 키트	330000276	24	12	6	6
마이크로 스위치 키트	330000275	24	12	6	6
어댑터 키트	330000270 SI/BK	24	12	6	6
트랜스미션 유닛	331007291	60	60	60	60
EXU 보드 포함 제어 유닛 CU-200	331008346	60	60	60	60
배터리	33738753	24	24	24	24

기타 제품 ASSA ABLOY Entrance Systems

- 도어 시스템 소속
- 균형도어
- 에어 커튼
- 회전문
- 슬라이딩 도어
- 자동 및 수동 액티베이션 유닛
- 오버헤드 섹션 도어
- 수직 리프팅 패브릭 도어
- 도크레벨러
- 도크셸터
- 접힘문
- 고속도어
- 로드하우스
- 예방적 유지보수 및 업그레이드 프로그램, 긴급 수리, 서비스 자문 및 문 관리 같은 서비스

당사는 **ASSA ABLOY Entrance Systems AB**
Lodjurgatan 10
SE-261 44 Landskrona
Sweden

당사의 단독 책임 하에 다음 장비 유형에 대해 선언합니다:
SW200

해당 장비는 다음 지침을 준수합니다:

2014/30/EU 전자파 적합성 지침 (**EMCD: ElectroMagnetic Compatibility Directive**)

2006/42/EC 기계류 지침 (**MD: Machinery Directive**)

2011/65/EU, 전기전자 장비의 특정 유해물질 사용에 대한 제한 (**RoHS: Restriction of (the use of certain) hazardous substances**)

적용된 유럽 조화 표준은 다음과 같습니다:

EN ISO 13849-1:2015

EN 60335-1:2012+A11:2014

EN 60335-2-103:2015

EN 61000-6-2:2005

EN 61000-6-3:2007+A1:2011

EN 16005:2012/AC:2015

적용된 기타 표준 또는 기술 규격은 다음과 같습니다:

FCC 47 CFR Part 15 B

UL 325

IEC 60335-1 ed 5:2010

IEC 60335-2-103: ed. 2.1:2011

EN 1634-1:2008

장비와 관련하여 통보 또는 관할 기관 또는 결정권이 있는 기관에서 발급한 인증서 (전체 주소는 ASSA ABLOY Entrance Systems AB로 문의하십시오):

SC0072-14

UL File E47833

UL File R9469

제조 공정에서는 장비가 기술 파일을 준수했음을 보장합니다. 제조 공정은 정기적으로 제 3자에 의해 평가를 받습니다.

CE 마크가 먼저 적용했습니다 2013-11-04.

기술 파일 편찬:

Anders Forslind

ASSA ABLOY Entrance Systems AB

Lodjurgatan 10

SE-261 44 Landskrona

Sweden

장소
Landskrona

날짜
2021-04-16

서명
Klas Hagelin

직위
Global Quality Manager



ASSA ABLOY Entrance Systems은 상품과 사람의 원활한 이동을 위한 출입문 자동화 솔루션을 선도하는 기업입니다. 당사는 Besam, Crawford, Albany, Megadoor 브랜드의 오랫동안 이어진 성공을 바탕으로 ASSA ABLOY 브랜드를 통해 솔루션을 제공합니다. 당사의 제품과 서비스는 안전하고 안정적이며 편리하면서 지속 가능한 작동을 필요로 하는 사용자를 충족시키는 것을 목적으로 합니다. ASSA ABLOY Entrance Systems은 ASSA ABLOY 소속 사업부입니다.

assaabloyentrance.com



ASSA ABLOY Entrance Systems

전화: +46 10 47 47 000
info.aaes@assaabloy.com
assaabloyentrance.com