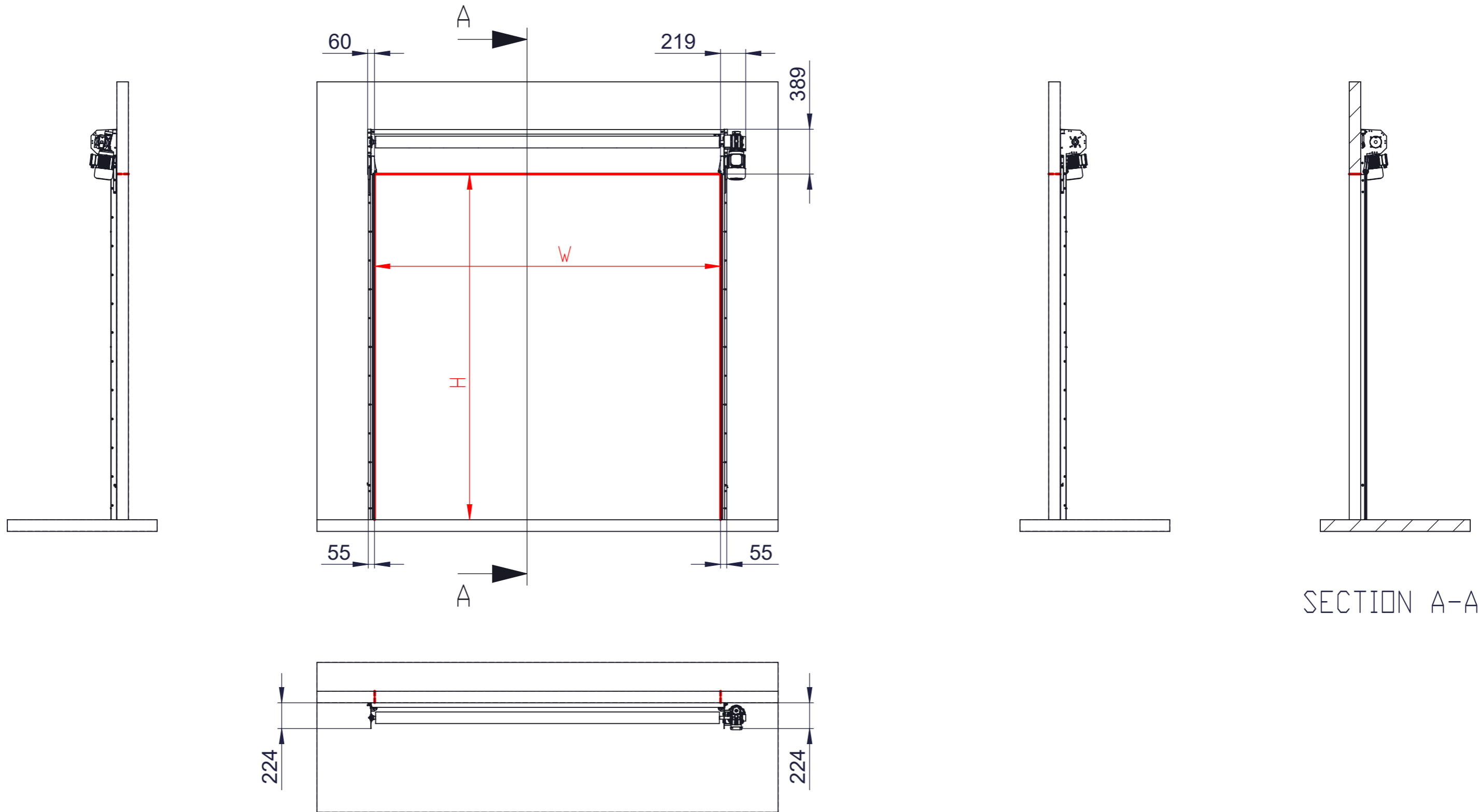


This work is copyright and no part may be reproduced, by any process, nor may any other exclusive right be exercised without the permission of ASSA ABLOY.



all sizes
 Motor side right draw
 Motor side left = mirror of motor side right

1	Rev.	Ref.-No.	Change	Date	Name
Surface treatment:		Material:		General tolerance: ISO 8015 ISO 2768-mH	
Volume:	Mass:	Surface area:	Created (YYYY-MM-DD): 2022-02-23	Designed by: micber	Drawn by: micber
ASSA ABLOY ASSA ABLOY Entrance Systems HPDS			Door		Scale: 1:34 (A3)
			Product_drawing_ASSA_ABLOY_HS9 120_without_covers_en		Projection:
			Alternate ID 2010-0282		Document ID D001306820-001
			Rev.: 1		

Approved 2022-02-23