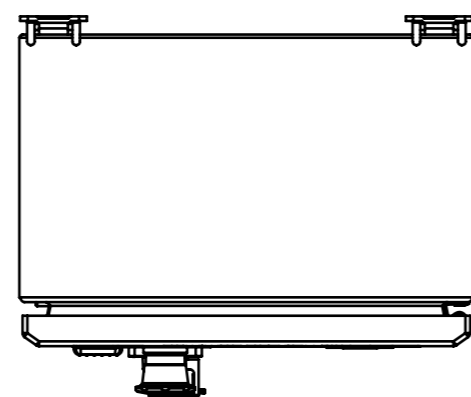
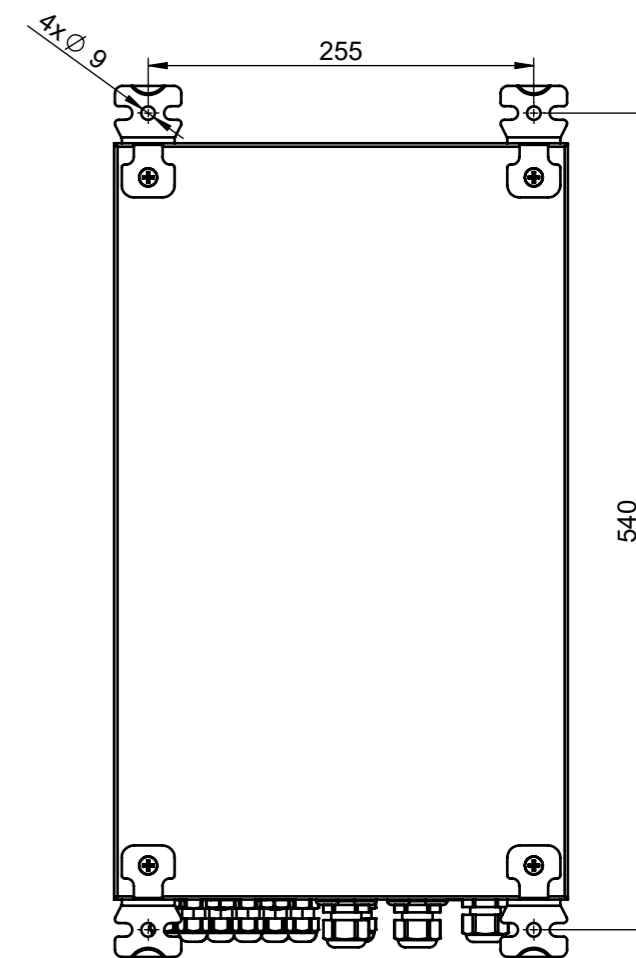
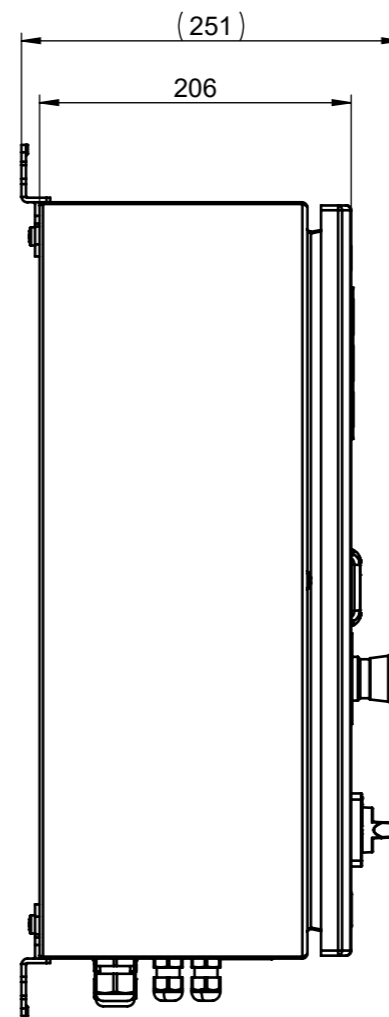
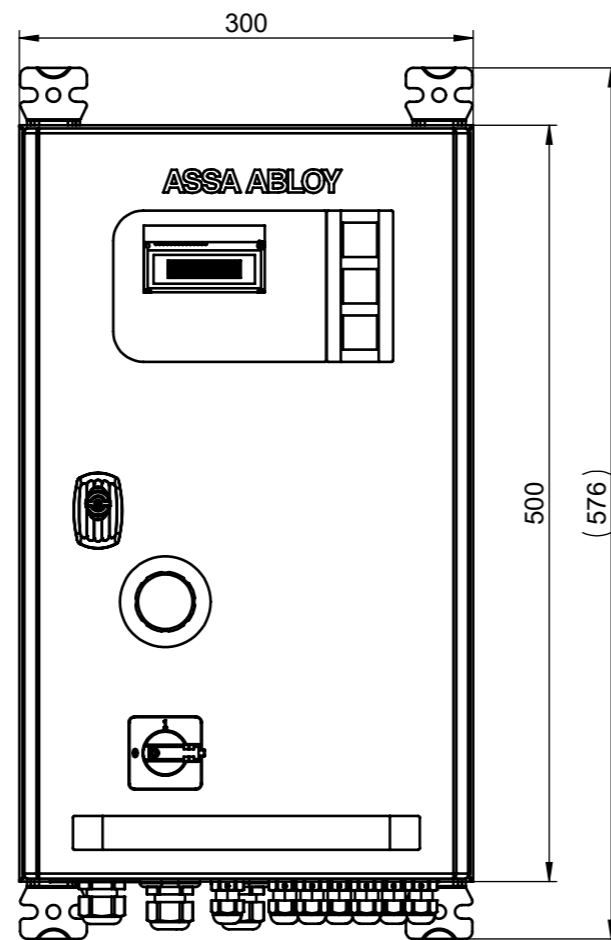
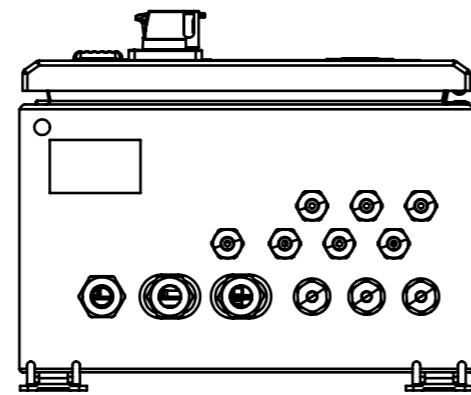
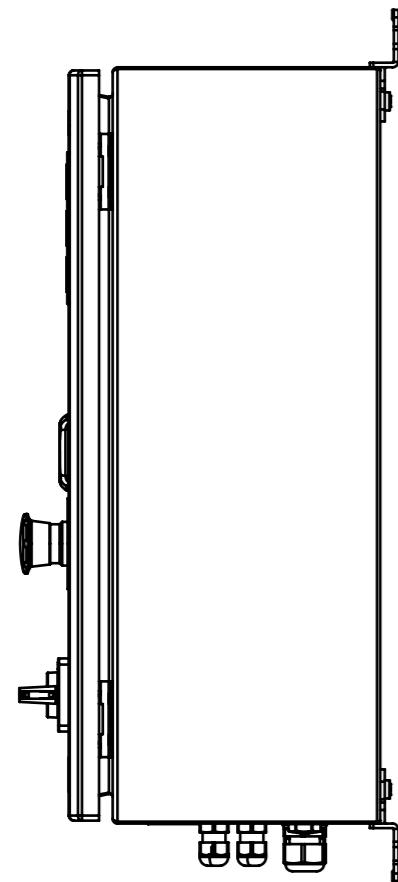


This work is copyright and no part may be reproduced, by any process, nor may any other exclusive right be exercised without the permission of ASSA ABLOY.



No. 1.1 drawn

No	qty	Description	Document ID	Alternate ID	Alternate ID draw	Material Spec.	Note
1.2	1	Control unit DCC 50 paint. steel	D001149801-001	ELECOFALL 412	ELECOFALL 412		
1.1	1	Control unit DCC 55 paint. steel	D001149224-001	ELECOFALL 414	ELECOFALL 414		

Rev.	Ref.-No.	Change				Date	Name
1							
Surface treatment:			Material:			General tolerance: ISO 2768-mH	
Volume: mm ³	Mass: gram	Surface area: mm ²	Created (YYYY-MM-DD): 2020-12-03	Designed by: schwatho	Drawn by: schwatho	Scale: 1:5 (A3)	Projection:
ASSA ABLOY ASSA ABLOY Entrance Systems HPDS			Door Control General Drawing, Fixing plan, DCC50/55 - steel			Alternate ID 9300R0030	
						Document ID D001149667-001	