

Product datasheet

Docking equipment

ASSA ABLOY Docking equipment

ASSA ABLOY
Entrance Systems

Experience a safer
and more open world



Copyright and Disclaimer Notice

Although the contents of this publication have been compiled with the greatest possible care, ASSA ABLOY cannot accept liability for any damage that might arise from errors or omissions in this publication. We also reserve the right to make appropriate technical modifications/replacements without prior notice.

No rights can be derived from the contents of this document.

Color guides: Color differences may occur due to different printing and publication methods.

ASSA ABLOY as word and logo are trademarks belonging to the ASSA ABLOY Group.

No part of this publication may be copied or published by means of scanning, printing, photocopying, microfilm or any other process whatsoever without prior permission in writing by ASSA ABLOY.

© ASSA ABLOY 2006-2022.

All rights reserved.

Contents

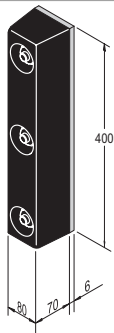
Copyright and Disclaimer Notice.....	2
1. Equipment.....	4
1.1. Buffers.....	4
1.1.1. RS.....	4
1.1.2. RB.....	4
1.1.3. RB with steel front plate.....	4
1.1.4. RB with steel front and top plate.....	4
1.1.5. RB with steel construction.....	4
1.1.6. RB with steel construction and steel front plate.....	4
1.1.7. Roller buffer.....	5
1.1.8. EBH.....	5
1.1.9. EBF.....	5
1.1.10. Steel spring buffer 800.....	5
1.1.11. Steel spring buffer 600.....	5
1.2. ASSA ABLOY DE6090DL Dock light Heavy Duty LED.....	6
1.2.1. Application.....	6
1.2.2. Specifications.....	6
1.2.3. Side view.....	6
1.2.4. Top view.....	7
1.2.5. Dock Light XL.....	7
1.2.6. Side view.....	7
1.2.7. Top view.....	7
1.3. ASSA ABLOY DE6090FL Fan light.....	8
1.3.1. Application.....	8
1.4. ASSA ABLOY DE6190WC Wheel chock.....	9
1.4.1. Application.....	9
1.4.2. Mode of operation.....	9
1.4.3. Advantages.....	10
1.4.4. Overview.....	10
1.5. ASSA ABLOY DE6090TLS Traffic light system.....	12
1.5.1. Application.....	12
1.5.2. Mode of operation.....	12
1.5.3. Frontal view.....	12
1.5.4. Traffic lights.....	12
1.5.5. Function of traffic light system with vehicle detection.....	12
1.5.6. Function of wheel chock with traffic light system outside / inside.....	12
1.5.7. Override interlock key switch.....	12
1.6. Corner seals.....	13
1.6.1. ES.....	13
1.6.2. ESR.....	13
1.6.3. Specifications.....	13
1.7. Parking guide EG.....	14
1.7.1. Application.....	14
1.7.2. Installation modes.....	14
1.8. ASSA ABLOY DE6190DI Dock-IN.....	16
1.8.1. Dock-IN White.....	16
1.8.2. Dock-IN Red.....	16
1.8.3. Dock-IN White & Red.....	16
1.8.4. Specifications.....	16
1.8.5. Dimensions.....	16
1.8.6. Standard.....	17
1.8.7. Available Options.....	17
2. Service you can rely on.....	18
Index.....	19

1. Equipment

1.1 Buffers

Buffers placed in front of the dock leveler absorb the energy of a vehicle that accidentally or intentionally hits the building. Buffers are available in various sizes, in fixed or moving models, and with rubber finishing or steel plate and spring function.

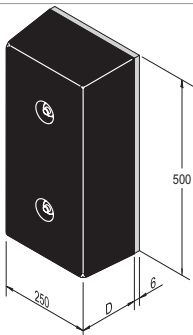
1.1.1 RS



Application

The RS buffer is the economical solution for docking stations where vehicles of equal sizes load and unload.

1.1.2 RB



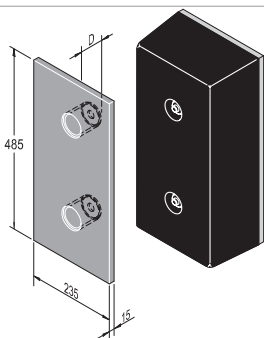
Application

The RB buffer is a large fixed rubber. It is the universal building and vehicle protection solution.

Available depths:

- 90 mm
- 140 mm

1.1.3 RB with steel front plate



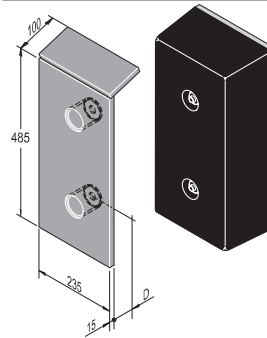
Application

The RB buffer with steel protection front plate increases the building protection and the buffer service life.

Available depths:

- 90 mm
- 140 mm

1.1.4 RB with steel front and top plate



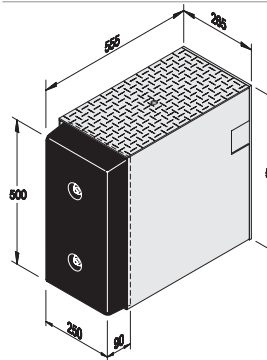
Application

The RB buffer with steel protection front and top plate is designed for vehicles with high lorry beds like interchangeable open bodies and containers.

Available depths:

- 90 mm
- 140 mm

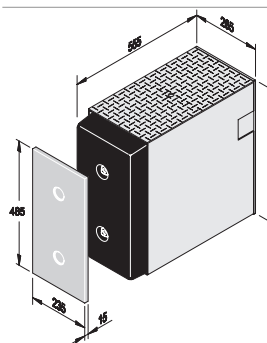
1.1.5 RB with steel construction



Application

The RB buffer with steel construction is designed to create a security gap between your dock leveler with 1000mm telescopic lip and the truck.

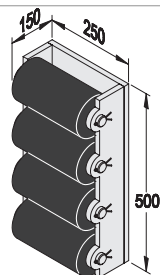
1.1.6 RB with steel construction and steel front plate



Application

The RB buffer with steel construction is designed to create a security gap between your dock leveler with 1000mm telescopic lip and the truck. The steel protection front plate increases the building protection and the buffer service life.

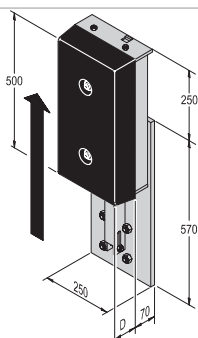
1.1.7 Roller buffer



Application

The Roller buffer is a robust solution for docking stations where vehicles make notable vertical movements when loading or unloading. The Roller buffer is designed for vehicles without protruding elements below the rear door.

1.1.8 EBH

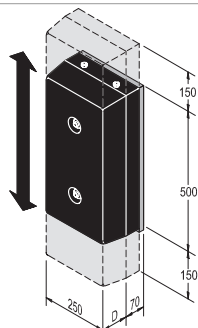


Application

The EBH buffer is the ideal solution for docking stations where vehicles of notable height differences load and unload. This buffer can be vertically adjusted by a 'release device'. Available depths:

- 90 mm
- 140 mm

1.1.9 EBF

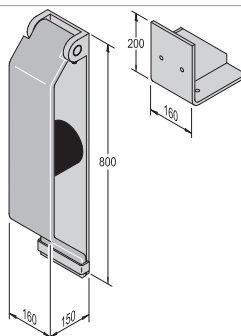


Application

The EBF buffer is the ideal solution for docking stations where vehicles are expected to make notable vertical suspension changes when loading or unloading. This buffer follows vertical movements of the vehicle. Available depths:

- 90 mm
- 140 mm

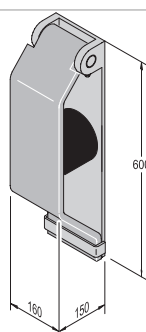
1.1.10 Steel spring buffer 800



Application

The 800 mm steel spring buffer is designed for applications where vehicles generally are higher than ramp level.

1.1.11 Steel spring buffer 600



Application

The steel spring buffer is the ideal protector of the ramp as well as the vehicle itself.

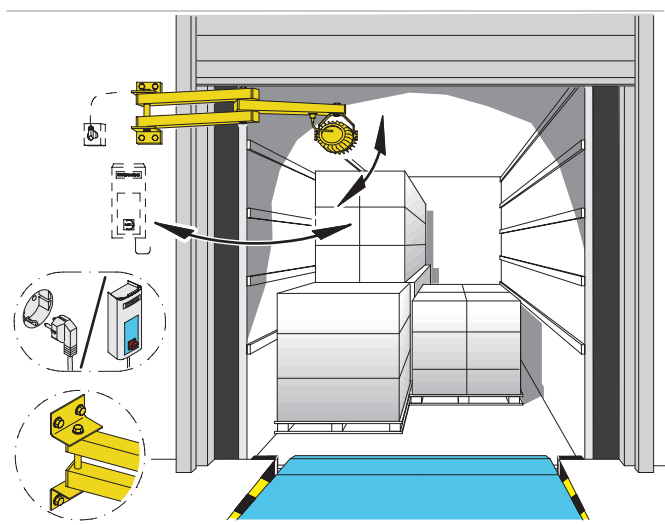
1.2 ASSA ABLOY DE6090DL Dock light Heavy Duty LED

1.2.1 Application

Where dock lights are often a vulnerable object in the docking area, the virtually indestructible Dock Light Heavy Duty LED is the perfect solution to bring light in the truck and docking area. It is designed for the most demanding environments and can withstand possible hard hits from a moving forklift without being damaged. The housing is made of cast aluminum, combined with a shatterproof polycarbonate lens cover. With a protection class of IP66 it is dust tight and able to withstand water spray. The 18 Watt LED technology gives the Dock Light Heavy Duty LED a long life time combined with low energy consumption while providing extensive illumination.

Standard Installation with arm

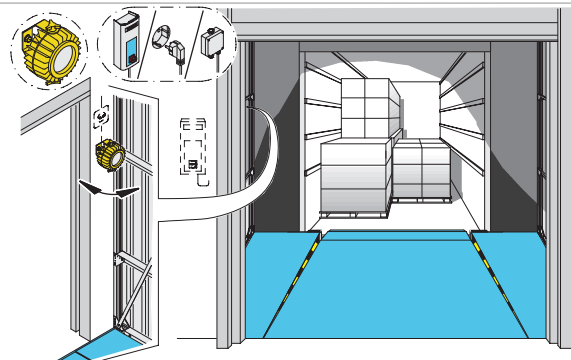
Due to its flexible arm the Dock Light Heavy Duty LED is easy to install inside the building next to the loading bay. The easy to adjust solid construction ensure a good lightening to every corner of the truck.



The ASSA ABLOY Dock Light LED is easy to install inside the building next to the loading bay and will lighten every corner of the lorry due to its flexible arms. The transformer is completely sealed and protected against dust and splash water. The lamp cover is made of metal and has a wide handle.

Alternative installation direct to the wall

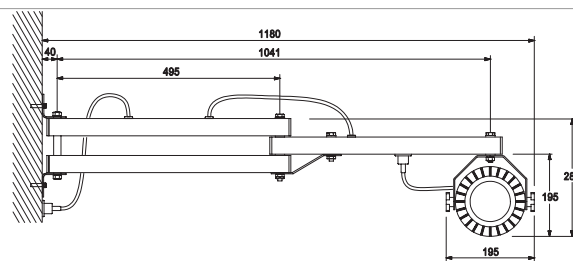
In a loadhouse application the Dock Light Heavy Duty LED can be installed on the outside wall of the building next to the loading bay door. This position and the unique durable construction makes the Dock Light Heavy Duty LED the perfect solution to bring light in the docking area.



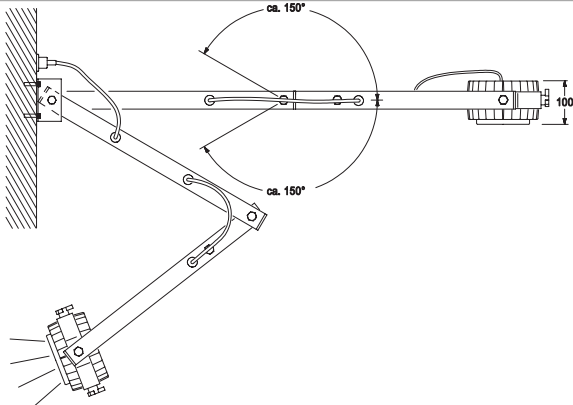
1.2.2 Specifications

- 18 W LED lamp
- More than 60.000 hours life time in typical applications
- Protection Class: IP66
- Cast aluminum housing
- Shatterproof polycarbonate lens cover
- Connection 230 V AC with plug
- Cable length 2 m

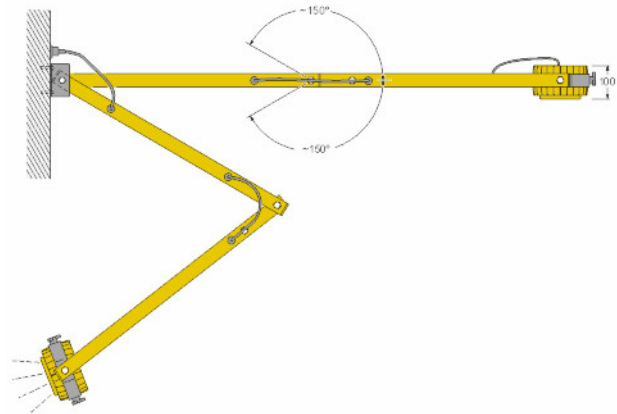
1.2.3 Side view



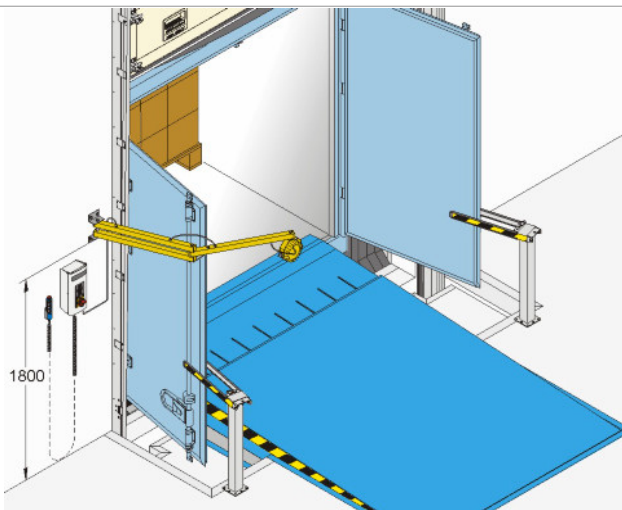
1.2.4 Top view



1.2.7 Top view

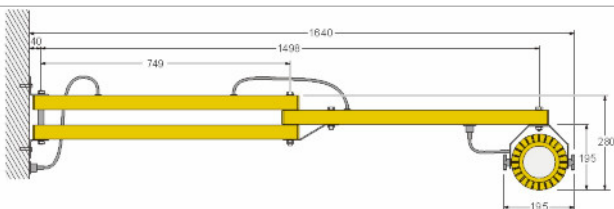


1.2.5 Dock Light XL



The XL version of the Dock Light Heavy Duty LED was specifically designed for the stepdock solution. When the rear truck doors are opened, the prolonged arm ensures a good lightening into the truck.

1.2.6 Side view



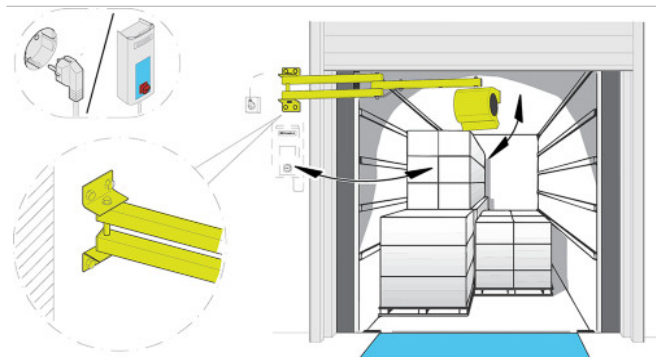
1.3 ASSA ABLOY DE6090FL Fan light

1.3.1 Application

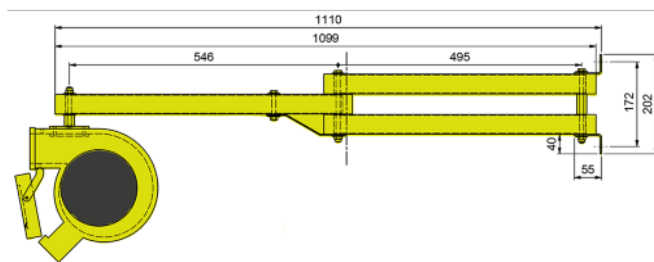
The compact fan light is a combined solution of a fan and a dock light in one system. The fan creates a continuous stream of fresh air that refreshes and cleans the air inside the trailer or container and the integrated dock light provides extensive light. It has a flexible solid arm that fits general industry and logistics applications, for an easy and fast docking process. The fan light is equipped with two on-off buttons, one for each function: fan and light. Due to the lightweight it is easy to operate and the low noise level of the fan contributes to a safe and secure work place.

1.3.1.1 Installation

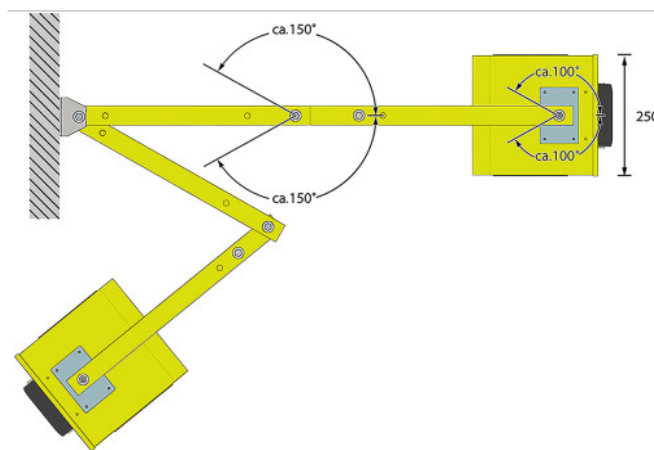
The fan light is easy to install inside the building next to the loading bay.



1.3.1.3 Side view



1.3.1.4 Top view



1.3.1.2 Technical Specifications

- Connection 230 V AC / 50Hz with plug
- Recommended fuse 10A
- Cable length 2 m
- Operating arm painted in yellow RAL1021
- Total weight: 9 kg

Fan

- Max. airflow rate 355 m³/h
- Max. air temperature: 60 °C
- Air pressure max.: 90Pa
- Power input 0,1 kW
- Protection class IP22
- Sound level (3m distance) 61,5 dB(A)

Dock light

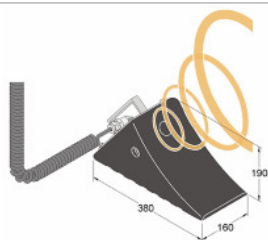
- 20W LED lamp
- Light temperature 5000K
- 2565 Lumens of light
- More than 50.000 hours life time in typical applications
- Protection Class: IP66

1.4 ASSA ABLOY DE6190WC Wheel chock

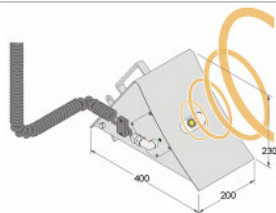
1.4.1 Application

The wheel chock is designed to improve safety at the docking station. It has a sensor to detect the vehicle position and correspondingly authorises the dock leveler control unit to be operated or not. The wheel chock is connected to the control unit via a fixed junction box. It also prevents the vehicle from rolling away uncontrolled.

Rubber version



Steel version



1.4.2 Mode of operation

1.4.2.1 Start docking

Only once the chock has been securely positioned against the vehicle tyre, the control unit is released to be operated manually.

1.4.2.2 Finish docking

When the platform is not under load the leveler has to be returned to cross-traffic position and the wheel chock can be removed and placed in the designated wall support.

1.4.2.3 Optional traffic lights (inside and/or outside)

Optional double lens traffic lights are available for further safety. When the chock is in position the traffic lights inside the building will turn green to allow the loading process to be carried out. Outside the building traffic lights will turn to red to indicate that the truck may not move away.

When the chock is not positioned against the vehicle tyre the inside traffic lights will be red indicating that no vehicle has docked safely at the loading bay. Outside the building, traffic lights showing green indicate that a vehicle may move to the dock leveler.

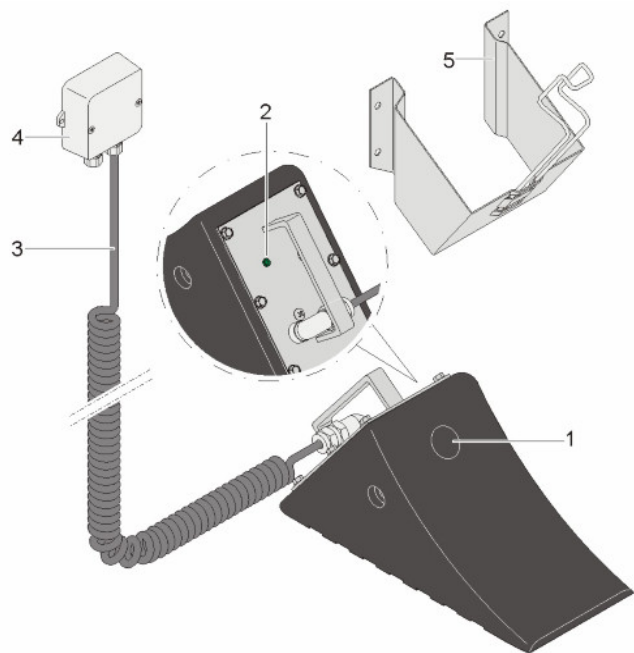
1.4.3 Advantages

The advantages of the wheel chock over other safety systems are:

- It can be used for all types of vehicles
- It is easily installed at any time with no previous preparation needed

1.4.4 Overview

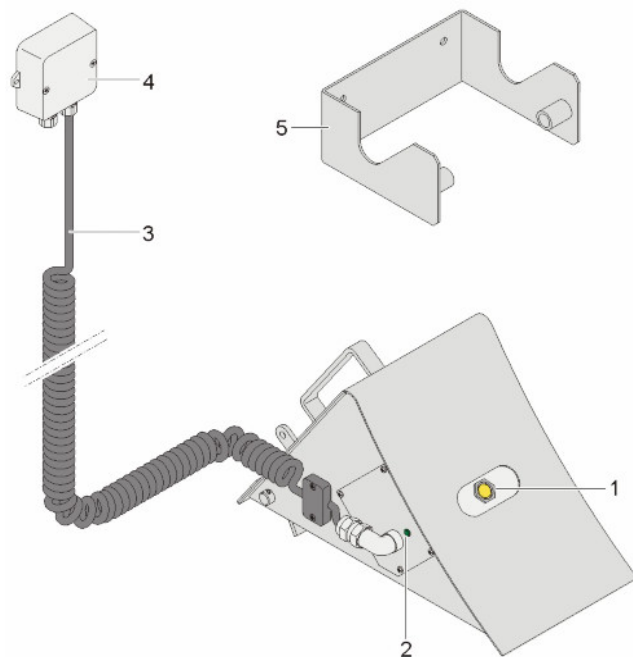
Rubber version



The rubber version contains the following elements:

- 1) Detection sensor (IP 65)
- 2) Feedback diode
- 3) Spiral cable 8 m
- 4) Fixed junction box (IP 65)
- 5) Wheel chock wall support

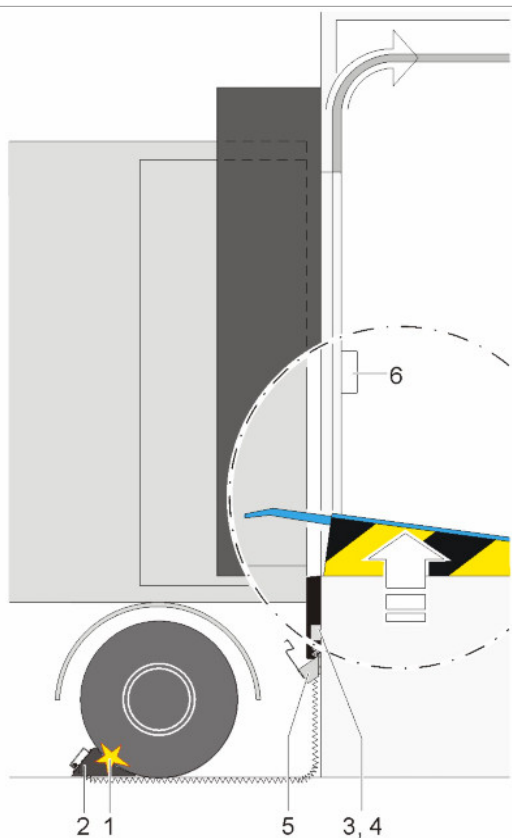
Steel version



The steel version contains the following elements:

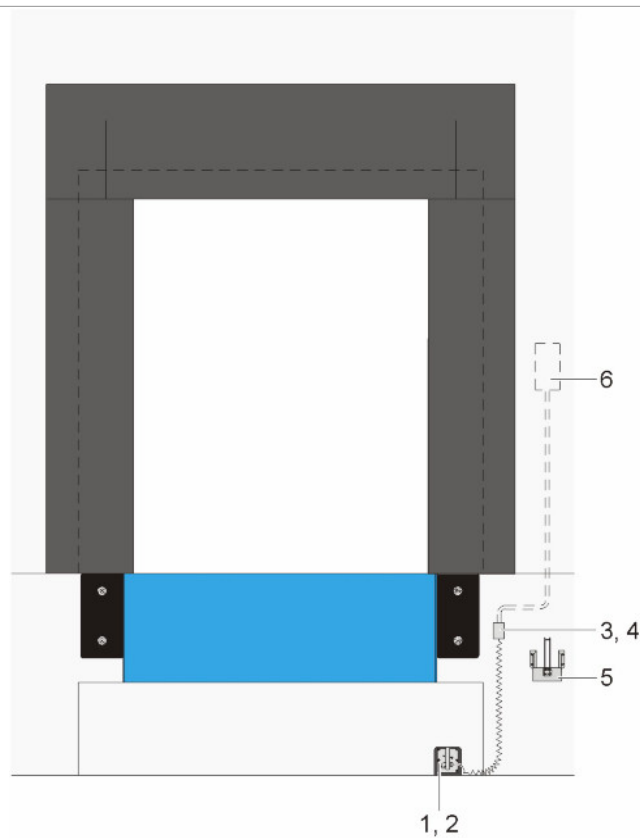
- 6) Detection sensor (IP 65)
- 7) Feedback diode
- 8) Spiral cable 8 m
- 9) Fixed junction box (IP 65)
- 10) Wheel chock wall support

1.4.4.1 Side view



- 1) Sensor
- 2) Wheel chock
- 3) Wall fixation for cable
- 4) Fixed junction box
- 5) Wheel chock wall support
- 6) Control unit dock leveler

1.4.4.2 Front view



- 1) Sensor
- 2) Wheel chock
- 3) Wall fixation for cable
- 4) Fixed junction box
- 5) Wheel chock wall support
- 6) Control unit dock leveler

1.5 ASSA ABLOY DE6090TLS Traffic light system

1.5.1 Application

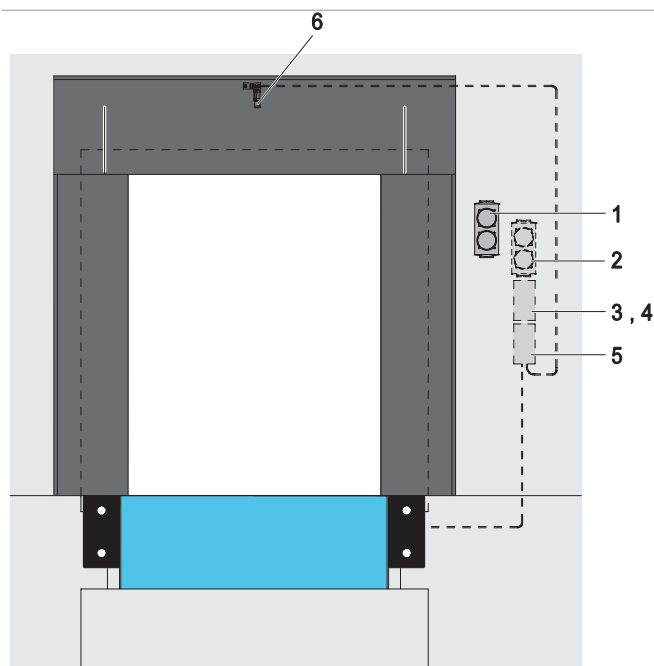
The traffic light system can be used either as a stand-alone application or in combination with door/leveler interlocking.

1.5.2 Mode of operation

The traffic light system either has a sensor above the dock leveler that measures the presence of the vehicle or it is a wheel chock that detects the vehicle.

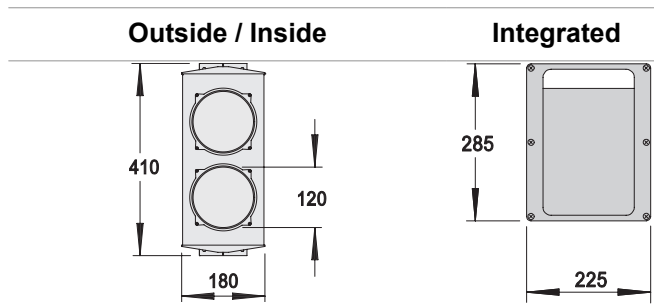
If there is no vehicle (dock leveler is free), the traffic light inside is red, outside is green.

1.5.3 Frontal view



- 1) Traffic lights outside (IP 65)
- 2) Traffic lights inside (IP 65), only for control unit without integrated lights (pos. 3)
- 3) Control unit traffic lights without integrated lights
- 4) Control unit traffic lights with integrated lights (IP 65)
- 5) Control unit dock leveler
- 6) Sensor

1.5.4 Traffic lights



1.5.5 Function of traffic light system with vehicle detection

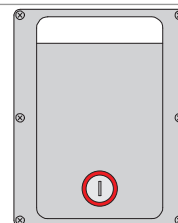
Without lorry	<ul style="list-style-type: none"> • Sensor gives no signal • Traffic lights outside: green • Traffic lights inside: red
With lorry	<ul style="list-style-type: none"> • Sensor gives signal • Traffic lights outside: red • Traffic lights inside: green

1.5.6 Function of wheel chock with traffic light system outside / inside

Wheel chock in position	<ul style="list-style-type: none"> • Traffic lights outside: red • Traffic lights inside: green • Operation of leveler unlocked
Wheel chock not in position	<ul style="list-style-type: none"> • Traffic lights outside: green • Traffic lights inside: red • Operation of leveler locked

1.5.7 Override interlock key switch

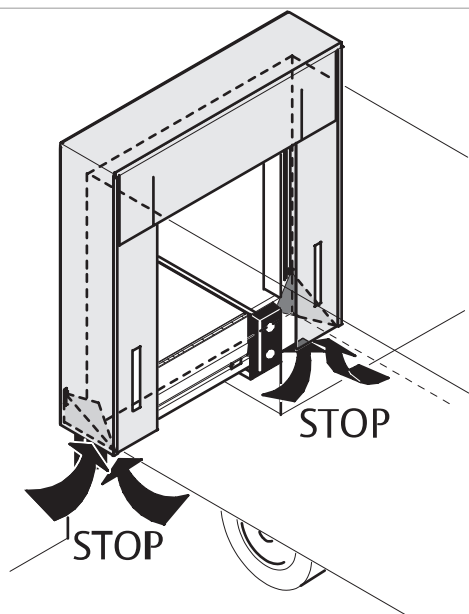
An optional key switch can override the door/leveler interlocking function.



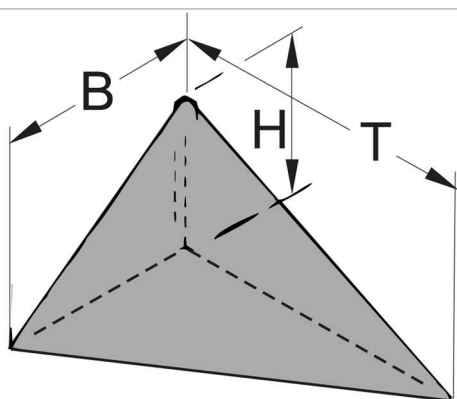
1.6 Corner seals

1.6.1 ES

The corner seal ES is designed to improve thermal efficiency and prevent draughts at the bottom of the side curtains of the dock shelter.



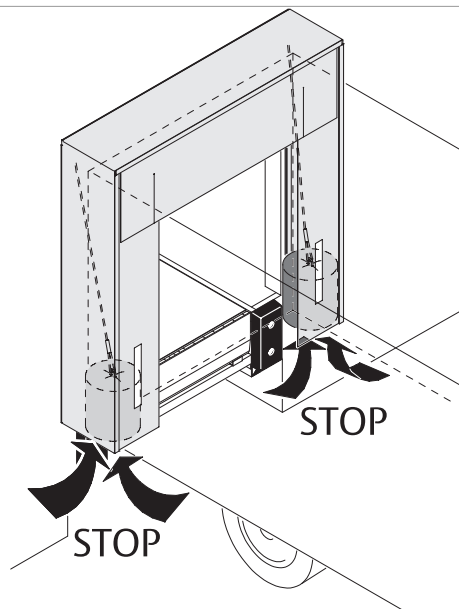
1.6.1.1 Dimensions



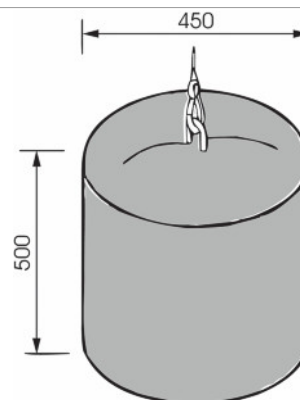
Nominal depth	Width (B)	Depth (T)	Height (H)
600	400	590	300
900	400	890	300

1.6.2 ESR

The corner seal ESR is similar to the ES but are drum shaped and have a flexible spring connection to the top frame of the dock shelter.



1.6.2.1 Dimensions



1.6.3 Specifications

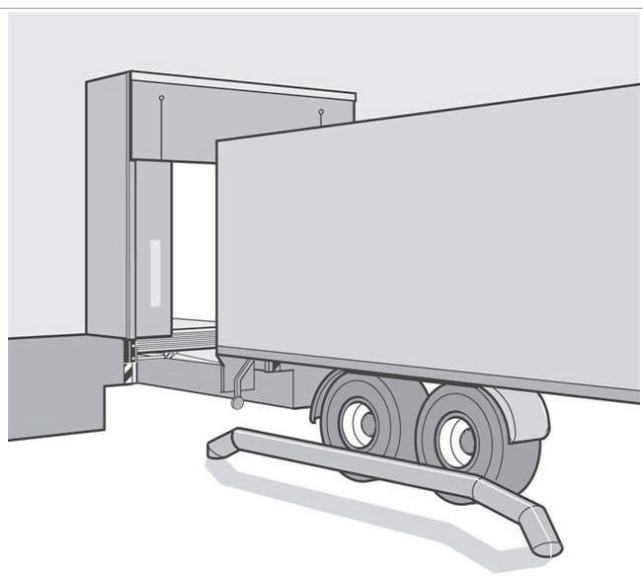
The corner seals are made of foam blocks with a tough plastic cover with woven interlay. The quality of the foam means that the corner seals return to their original shape without deformation. They are easily fitted to the side wall frame of the dock shelter.

1.7 Parking guide EG

1.7.1 Application

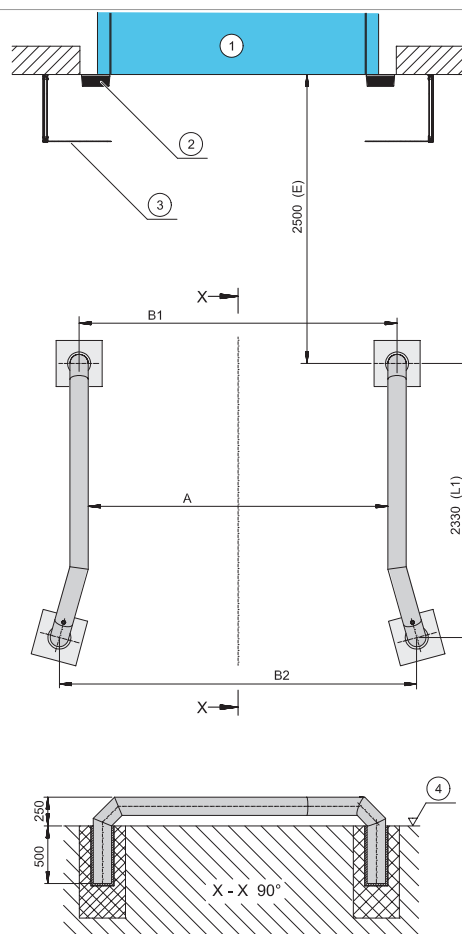
Parking guides are a simple but effective aid to improve the positioning of a vehicle on the loading bay. This reduces the possibility of damage to the vehicle, dock shelter, dock leveler or the building. Parking guides are an economical solution with a very short return on investment. They are especially useful in conjunction with wide dock levelers or cushion seals, where accurate vehicle positioning is essential.

The blank galvanised parking guides are available either to cast into a concrete foundation or to bolt down with base plates.



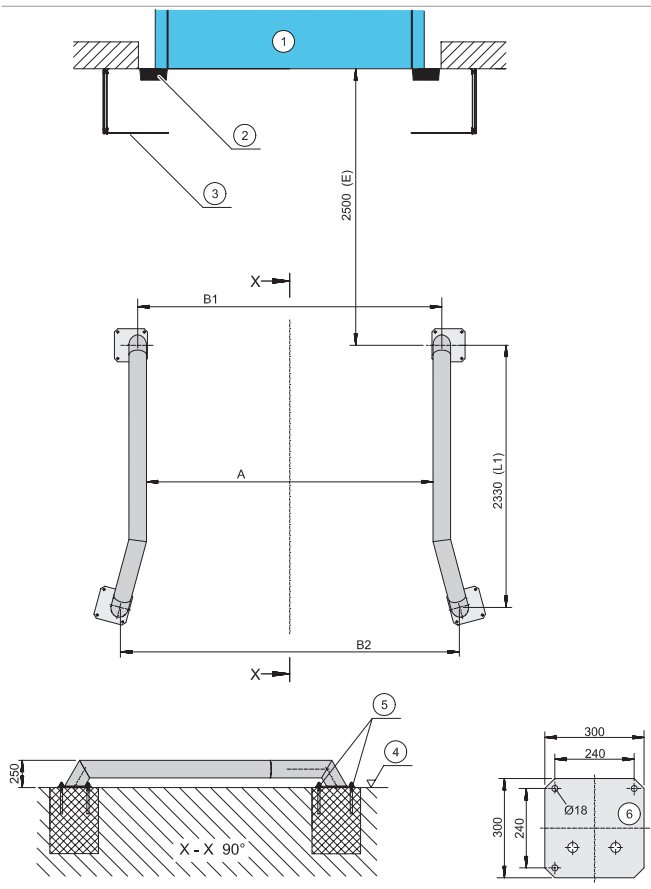
1.7.2 Installation modes

1.7.2.1 Cast in concrete installation



- 1 Dock leveler
- 2 Buffer / bolts
- 3 Dock shelter
- 4 Yard level
- (E) recommended
- L1 Nominal length / axle base
- A Access width
- B1 Rear width / centre-to-centre distance
- B2 Front width / centre-to-centre distance

1.7.2.2 Bolted installation

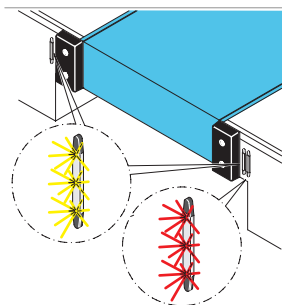


- 1 Dock leveler
- 2 Buffer / bolts
- 3 Dock shelter
- 4 Yard level
- 5 Fixings (by ASSA ABLOY)
 - Dowel M16
- 6 Base plates
- (E) recommended
- L1 Nominal length / axle base
- A Access width
- B1 Rear width / centre-to-centre distance
- B2 Front width / centre-to-centre distance

1.7.2.3 Dimensions

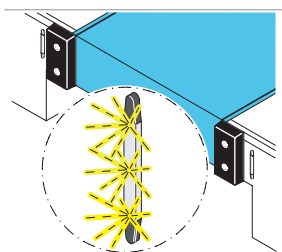
A	B1	B2
2400 mm	2560 mm	2885 mm
2500 mm	2660 mm	2985 mm
2600 mm	2760 mm	3085 mm

1.8 ASSA ABLOY DE6190DI Dock-IN



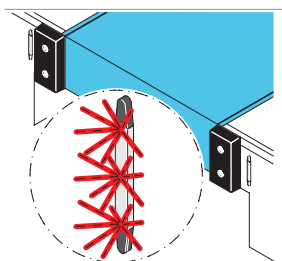
ASSA ABLOY Dock-IN offers a complete line of guide- and traffic lights that align the truck with the docking bay to make the Dock-IN procedure easy and safe. ASSA ABLOY Dock-IN is based on modern LED technology and stands for high reliability and low energy consumption.

1.8.1 Dock-IN White



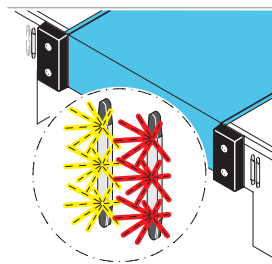
ASSA ABLOY Dock-IN White consists of two white LED light bars. It is designed to help guide a truck to the dock. ASSA ABLOY Dock-IN White offers much more visual aid than white stripes on the shelter or asphalt. Mounted on the wall they are always clearly visible, less exposed to wear and tear and not hidden by dirt and snow!

1.8.2 Dock-IN Red



ASSA ABLOY Dock-IN Red is a traffic light system consisting of one red LED light bar, a sensor for truck detection and a traffic light control box. The sensor detects the truck when it is in the right position, very close to the dock. The red LED turns ON to give the signal to the truck driver to break and let the truck roll against the buffer at the lowest speed, without the risk of damage. The system includes interlocking of the loading bay control box functions which are only released when the truck is in place and the red LED is ON.

1.8.3 Dock-IN White & Red



ASSA ABLOY Dock-IN White & Red is the optimum combination of both systems for easy and safe docking. The white LEDs provide the visual target and the red LED positions the truck at the right distance to the dock. The white guiding LEDs turn off when the truck is detected and at the same time the red LED turns ON. Before the truck is leaving, the operator push the RESET button on the control box inside the building. Then the white LEDs turn ON and the red LED turns off as a signal to the truck driver that the loading is finished.

1.8.4 Specifications

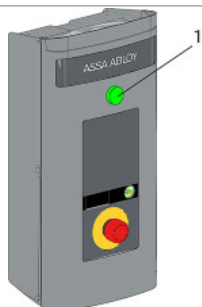
- Life time: 5 years when powered-up 24h/day
- Operating temperature: -20°C to + 55°C
- Operating humidity: 0 - 80% rel., not condensing
- Degree of protection: IP 55

1.8.5 Dimensions



The Guide Light Docking is 280mm high and 26mm wide.

1.8.6 Standard



1. Indication light inside and RESET button

Indication Light Inside.

A Green LED light on the 950 control box to indicate that the control box functions are released. The operator of the loading bay equipment knows exactly when he can start loading or unloading. The green LED light will help to save energy and to control the complete loading process.

RESET button

The RESET function is activated from a push button on the control box inside the building before the truck is leaving. The white LEDs turn ON and the red LED turns OFF as a signal to the truck driver that loading is finished. For this function, the leveler must be in parking position, the sectional door closed and the inflatable shelter retracted.

For the activation of the RESET function, you push the button for 1 second. If you push the button for 3 seconds before the truck drives off, then the red LED turns ON again the white LEDs turn OFF. When the truck is leaving, the white LEDs turn ON and the Dock-IN system is ready for the next truck.

1.8.7 Available Options

- Dock-IN Green and Red. Green LEDs instead of White. This version has the same function as Dock-IN White and Red.
- Indication Light Inside, built into the 950 control box. A Green LED light on the control box to indicate that the control box functions are released. The operator of the loading bay equipment knows exactly when he can start loading or unloading. The green LED light will help to save energy and to control the complete loading process.
- Second Red LED. A second Red LED bar can be added to have the red LED traffic light on both sides of the docking bay. This is an option for terminals with left and right hand drive international trucks.
- Wheel chock connection. To increase the safety it is possible to connect the ASSA ABLOY wheel chock to the traffic light function | ASSA ABLOY Dock-IN Red or ASSA ABLOY Dock-IN White and Red. The control box will be interlocked until the truck is detected and the wheel chock is in place.

Note:

Make sure the LED bars will not be covered by the Dock shelter.

Lowest possible truck is max. 2000 mm below the sensor position.

2. Service you can rely on



Gold

The ultimate protection

With full coverage, Gold Service enables you to plan and budget your expenses annually.

- Spare parts for emergency calls
- Labor and travel costs for emergency calls
- Replacement of components according to preventive maintenance schedule and to fulfill legislative and safety requirements

Silver

Added advantages

With cover for all service calls during business hours, Silver Service offers you peace of mind.

- Labor and travel costs for emergency calls
- Preventive maintenance

Bronze

Scheduled Service

With scheduled on site visits, Bronze Service means you know that your doors and docking systems will be regularly serviced and inspected.

- Preventive maintenance

Included in all packages

1-4 scheduled maintenance visits per year	24/7 priority service hotline and fast response	Safety, compliance and quality control checks	Documentation reports provided on site
---	---	---	--

Expert service you can rely on

A healthy business enjoys a steady flow of goods, services and people through its entrances every day. But heavy traffic puts entrances under pressure as every component works to keep them running.

ASSA ABLOY Entrance Systems offer the industry's most complete, flexible service solutions. Because even something as robust and well-engineered as an ASSA ABLOY door or docking system needs to be serviced to stay in great working order.

Pro-active care packages

An ASSA ABLOY service agreement gives you service you can rely on. We have specialized local service technicians on call to take care of your service needs. Equipped with a wide range of spare parts and expertise, to keep your industrial doors and docking systems running.

With an ASSA ABLOY service agreement you can ensure reliable, safe and sustainable operations at every entrance under your agreement, including doors and docking systems, independent of brand.

ASSA ABLOY e-maintenance™ (optional add-on)

For an online overview of your entrance systems and history, add ASSA ABLOY e-maintenance™ to your service package for:

- Easy access to real-time data on all your doors
- Planning, order and service information
- Overview that helps you control lifecycle costs

Index

A

Advantages.....	10
Application.....	8, 9, 12, 14
Application	6
ASSA ABLOY DE6090DL Dock light Heavy Duty LED.....	6
ASSA ABLOY DE6090FL Fan light....	8
ASSA ABLOY DE6090TLS Traffic light system.....	12
ASSA ABLOY DE6190DI Dock-IN...	16
ASSA ABLOY DE6190WC Wheel chock	9
Available Options.....	17

B

Bolted installation.....	15
Buffers.....	4

C

Cast in concrete installation.....	14
Copyright and Disclaimer Notice...	2
Corner seals.....	13

D

Dimensions.....	13, 13, 16
Dimensions.....	15
Dock Light XL.....	7
Dock-IN Red.....	16
Dock-IN White.....	16
Dock-IN White & Red.....	16

E

EBF.....	5
EBH.....	5
Equipment.....	4
ES.....	13
ESR.....	13

F

Finish docking.....	9
Front view.....	11
Frontal view.....	12
Function of traffic light system with vehicle detection.....	12
Function of wheel chock with traffic light system outside / inside.....	12

I

Installation.....	8
Installation modes.....	14

M

Mode of operation.....	9, 12
------------------------	-------

O

Optional traffic lights (inside and/or outside).....	9
Override interlock key switch.....	12
Overview.....	10

P

Parking guide EG.....	14
-----------------------	----

R

RB.....	4
RB with steel construction.....	4
RB with steel construction and steel front plate.....	4
RB with steel front and top plate....	4
RB with steel front plate.....	4
Roller buffer.....	5
RS.....	4

S

Service you can rely on.....	18
Side view.....	6, 7, 8, 11
Specifications.....	6, 13, 16
Standard.....	17
Start docking.....	9
Steel spring buffer 600.....	5
Steel spring buffer 800.....	5

T

Technical Specifications.....	8
Top view.....	7, 7, 8
Traffic lights.....	12

The ASSA ABLOY Group is the global leader in access solutions.
Every day, we help billions of people to experience a more open world.

ASSA ABLOY
Entrance Systems

ASSA ABLOY Entrance Systems provides solutions for efficient and safe flow of goods and people. Our offering includes a wide range of automated pedestrian, industrial and residential doors, loading dock equipment, perimeter fencing and service.

Follow us:



Please enter ASSA ABLOY Entrance
in the channel's search field.