

Product datasheet

Dock shelter

ASSA ABLOY DS6060VC

ASSA ABLOY
Entrance Systems

Experience a safer
and more open world



Copyright and Disclaimer Notice

Although the contents of this publication have been compiled with the greatest possible care, ASSA ABLOY Entrance Systems cannot accept liability for any damage that might arise from errors or omissions in this publication. We also reserve the right to make appropriate technical modifications/replacements without prior notice.

No rights can be derived from the contents of this document.

Color guides: Color differences may occur due to different printing and publication methods.

No part of this publication may be copied or published by means of scanning, printing, photocopying, microfilm or any other process whatsoever without prior permission in writing by ASSA ABLOY Entrance Systems.

Copyright © ASSA ABLOY Entrance Systems AB 2006-2020.

All rights reserved.

ASSA ABLOY, Besam, Crawford, Albany and Megadoor as words and logo are trademarks belonging to the ASSA ABLOY Group.

Technical facts

Features

Sizes 4-sided cushion shelter

| | |
|-------------------------------|--------------------|
| Sizes - nominal width | 2.000 mm, 2.100 mm |
| Sizes - daylight width bottom | 1.400 mm, 1.500 mm |
| Sizes - daylight width top | 1.200 mm, 1.300 mm |
| Sizes - nominal height | 2.450 mm, 2550 mm |
| Sizes - daylight height | 1.900 mm, 2000 mm |
| Sizes - nominal depth bottom | 250 mm |
| Sizes - nominal depth top | 400 mm |
| Sizes - side cushions bottom | 300 mm |
| Sizes -side cushions top | 400 mm |
| Sizes - top cushion | 300 mm |
| Sizes - bottom cushion | 250 mm |

Sizes separate roof

| | |
|------------------------|--------------------|
| Sizes - nominal width | 2.200 mm, 2.300 mm |
| Sizes - nominal height | 400 mm |
| Sizes - nominal depth | 600mm |

Sizes complete shelter with roof

| | |
|-----------------------------|------------------------------------|
| Sizes - nominal width | 2.000 - 2.200 mm, 2.100 - 2.300 mm |
| Sizes - nominal height | 2.750, 2850 mm |
| Sizes - Installation height | 3.150, 3250 mm |
| Sizes -nominal depth | 250 - 400 - 600 mm |

| | |
|-------------------------|--|
| Curtain color | Black |
| Signs on bottom cushion | Yellow/black warning tape, warning sign "do not step on" |
| Signs on top cushion | Yellow/black warning tape |
| Wall fixing | Concrete, sandwich, cavity |

Performance

| | | |
|--------------------------|--|-------------------------------|
| Foam density | 18 kg m ³ | |
| Back plate | Water resistant MDF board 19 mm thick, suitable for humid conditions | |
| Roof frame | Aluminum profiles, galvanizes steel profiles | |
| Fabric cushions and roof | One layer high quality polyester | |
| | Coating | Front and back |
| | Thickness | 0,5 mm |
| | Total weight | Approx. 680 g/m ² |
| | Flammability | DIN 75200 |
| | Tensile strength | DIN 53345 |
| | Longitudinal strength | Approx. 2700 N/5cm |
| | Transverse strength | Approx. 2300 N/5 cm |
| | Tear elongation | DIN 53363 |
| | Longitudinal strength | Approx. 300 N |
| | Transverse strength | Approx. 250 N |
| Fabric roof top curtain | Double layer high quality polyester | |
| | Coating | Front and back |
| | Thickness | 3,0 mm |
| | Total weight | Approx. 3400 g/m ² |
| | Flammability | DIN 75200 |
| | Tensile strength | DIN 53345 |
| | Longitudinal strength | Approx. 7000 N/5cm |
| | Transverse strength | Approx. 5000 N/5 cm |
| | Tear elongation | DIN 53363 |
| | Longitudinal strength | Approx. 750 N |
| | Transverse strength | Approx. 900 N |

Contents

| | |
|---|----|
| Copyright and Disclaimer Notice | 2 |
| Technical facts | 3 |
| Contents | 5 |
| 1. Description | 6 |
| 1.1 Application | 6 |
| 1.2 Mode of operation | 6 |
| 1.3 Overview | 7 |
| 1.4 Standard | 7 |
| 1.5 Options | 7 |
| 2. Description of available options | 8 |
| 2.1 Installation type inside the door opening | 8 |
| 2.2 Installation frame | 9 |
| 2.3 Top cushion with camera recess (480 x 200 mm) | 10 |
| 2.4 Top cushion with 200 mm top flap | 10 |
| 2.5 Side cushions with wear shields 1200x200 mm, extra layer 3 mm thick | 11 |
| 2.6 Without bottom cushion | 11 |
| 2.7 With separate roof | 12 |
| 3. Selection Guide | 13 |
| 3.1 Van specifications | 13 |
| 3.2 Suitable vans | 13 |
| 3.3 Unsuitable vans | 13 |
| 4. Specifications | 14 |
| 4.1 Dimensions | 14 |
| 5. Building and space requirements | 20 |
| 5.1 Fixing points and wall fixings 4-sided cushion shelter | 20 |
| 5.2 Fixing points and wall fixing separate roof | 21 |
| 6. Service you can rely on | 22 |
| Index | 23 |

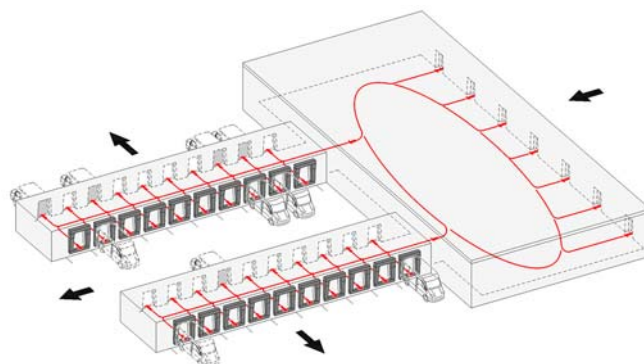
1. Description

1.1 Application

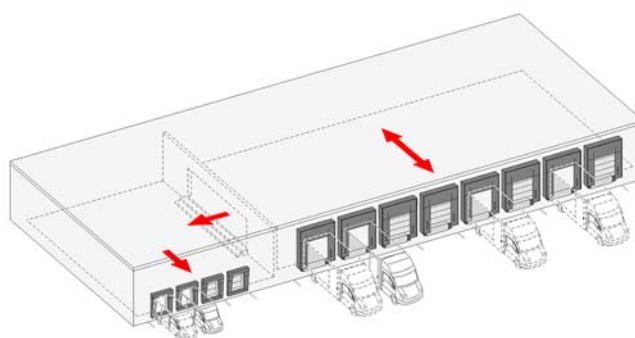
The ASSA ABLOY DS6060VC van cushion shelter has been specifically developed for the docking process at parcel distribution centers with loading operations without a pallet truck, and where conventional dock plates are not needed. The size and shape of the shelter is the ideal solution for vans like Mercedes Sprinter and VW Crafter with the typical curved shape and rear hinged doors that you can flip around completely to 270 degrees. The van reverses into the dock shelter which seals it off, giving continuous weather protection throughout the complete loading operation. The result is safe working conditions to avoid injuries, damage or interruptions in the flow. The cushions have a very high wear and tear resistance. The ASSA ABLOY DS6060VC van cushion shelter has been designed for installation directly onto the façade of the building.

1.2 Mode of operation

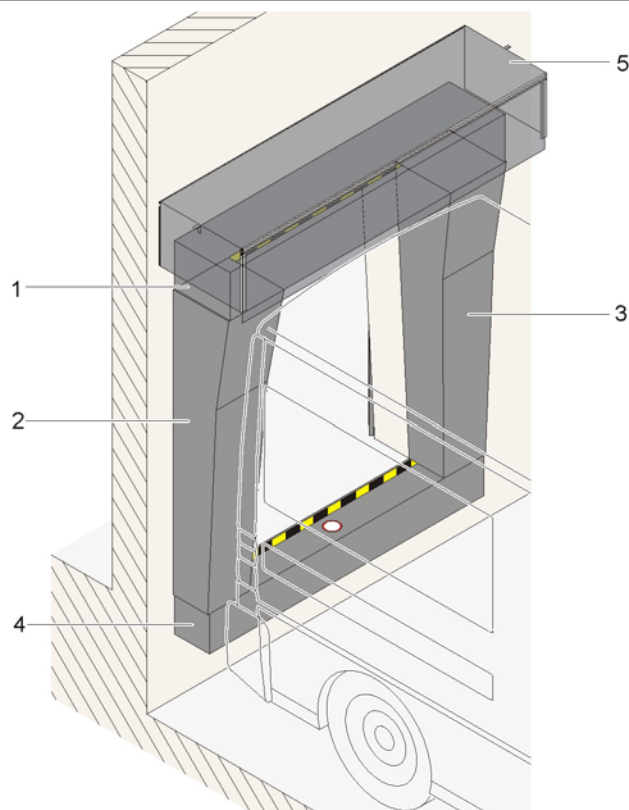
The ASSA ABLOY DS6060VC van cushion shelter is the ideal solution for the typical "Finger Concept" of a parcel distribution center. Each outgoing door has a fixed daily route, always carried out by the same driver. The conveyor belt system brings the parcels to the designated loading area. The drivers pick up the parcels from the conveyor belt and load them by hand directly into the vans. The ASSA ABLOY DS6060VC van cushion shelter provides a number of benefits for this specific loading process: energy saving, less draught from the "Fingers" into the main building, improved working conditions, increased safety of people and goods, and improved efficiency for the whole operation.



A distribution center with incoming and outgoing goods for long distance trucks as well as a separate loading area for parcels is the other typical application for which the ASSA ABLOY DS6060VC van cushion shelter would be the ideal solution. The tight seal from the cushion shelter provides the same benefits as mentioned above to secure the trouble-free operation.



1.3 Overview



- 1) Top cushion
- 2) Side cushion left
- 3) Side cushion right
- 4) Bottom cushion
- 5) Separate roof

1.4 Standard

4-sided cushion shelter

| | |
|-------------------------|--|
| Nominal width | 2.000 mm |
| Daylight width bottom | 1.400 mm |
| Daylight width top | 1.200 mm |
| Nominal height | 2.450 mm |
| Daylight height | 1.900 mm |
| Nominal depth bottom | 250 mm |
| Nominal depth top | 400 mm |
| Side cushions bottom | 300 mm |
| Side cushions top | 400 mm |
| Top cushion | 300 mm |
| Bottom cushion | 250 mm |
| Curtain color | Black |
| Signs on bottom cushion | Yellow/black warning tape, warning sign "do not step on" |
| Signs on top cushion | Yellow/black warning tape |
| Installation type | To building façade with bracket and hook |

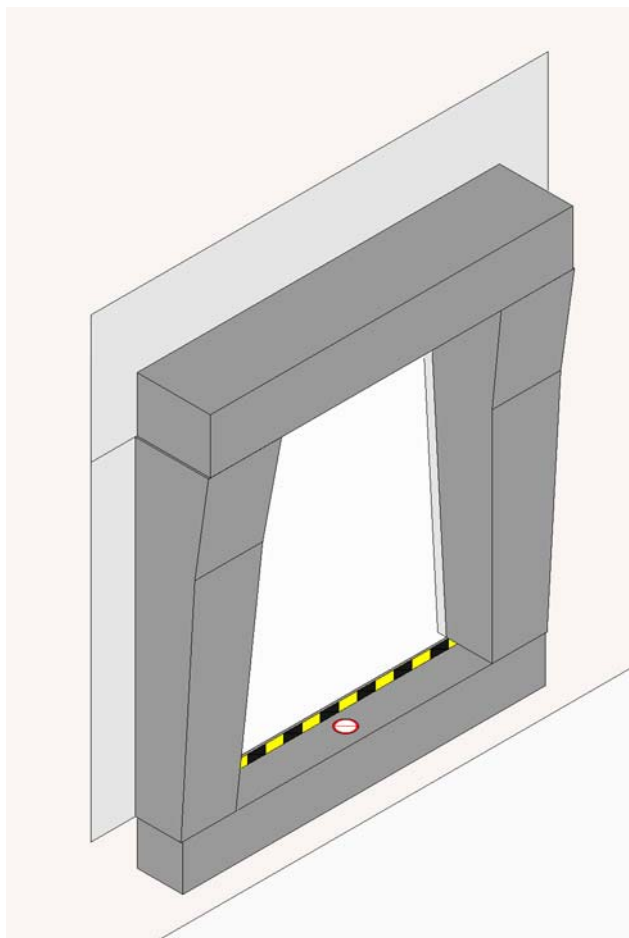
1.5 Options

| | |
|------------------------------------|---|
| Nominal width | 2.100 mm |
| Daylight width bottom | 1.500 mm |
| Daylight width top | 1.300 mm |
| Top cushion | With camera recess With 200mm top flap (NOT available with camera recess) |
| Side cushions | Wear shields 1200x200 mm, extra layer 3 mm thick |
| Version | Without bottom cushion & side cushions standard Without bottom cushion & side cushions 100 mm below dock |
| Installation type, cushion shelter | Inside door opening |
| Installation type cushion shelter | For door opening 2000x2200 mm |
| Installation type cushion shelter | For door opening 2100x2200 mm |
| Installation type cushion shelter | For door opening 2000x2300 mm |
| Installation type cushion shelter | For door opening 2100x2300 mm |
| Separate roof | Nominal width 2200 mm (for shelter width 2000 mm) |
| Separate roof | Nominal width 2300 mm (for shelter width 2100 mm) |
| Separate roof | With digit on top curtain |
| Wall fixings | Concrete, insulated wall, light concrete, cavity, steel frame (only cushion shelter) |

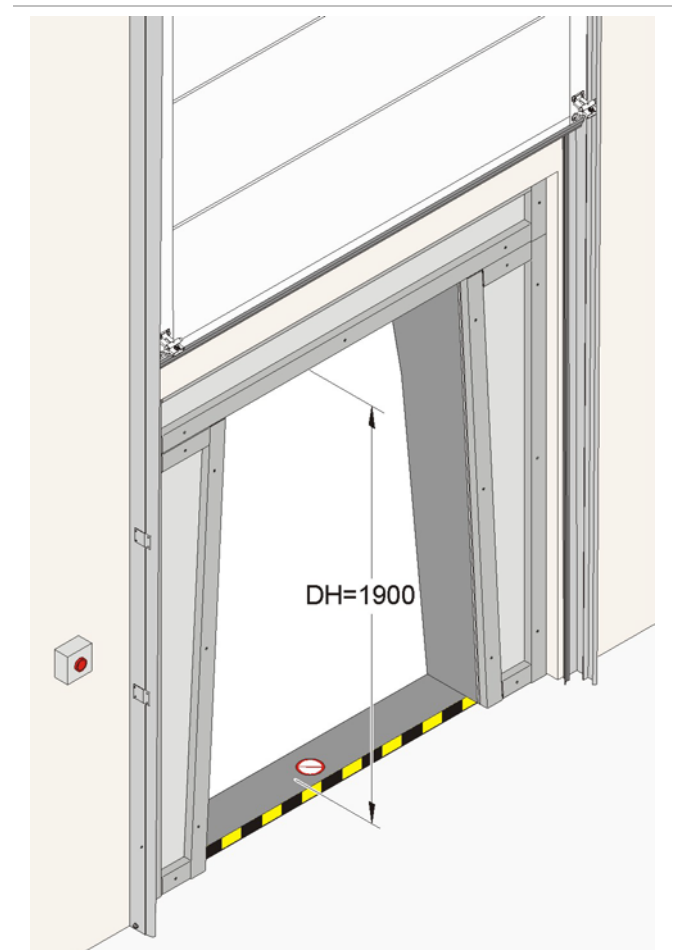
2. Description of available options

2.1 Installation type inside the door opening

- Suitable for installations on old existing buildings or new buildings with door openings of about 2000x2500 mm.
- The side and top cushions are delivered without brackets and hooks to allow the installation directly to a steel frame inside the door opening.



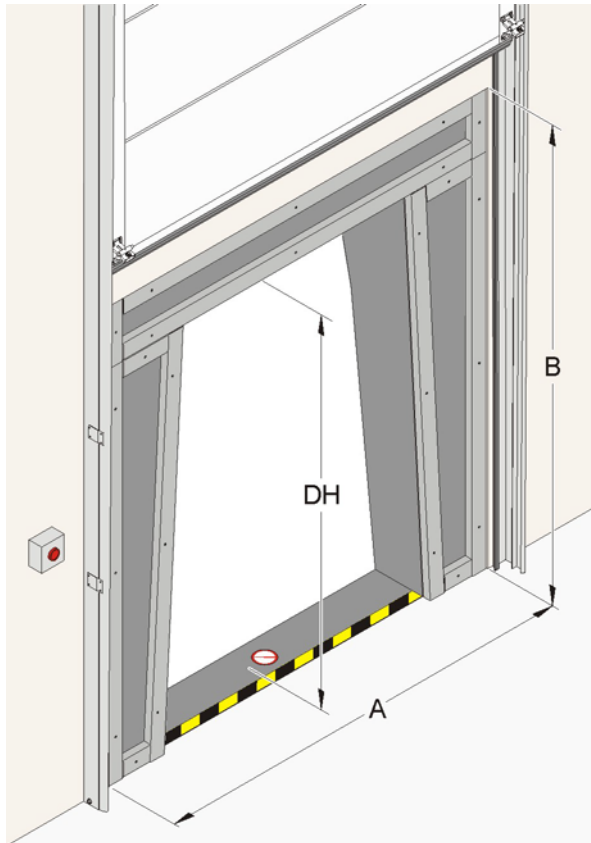
Outside view



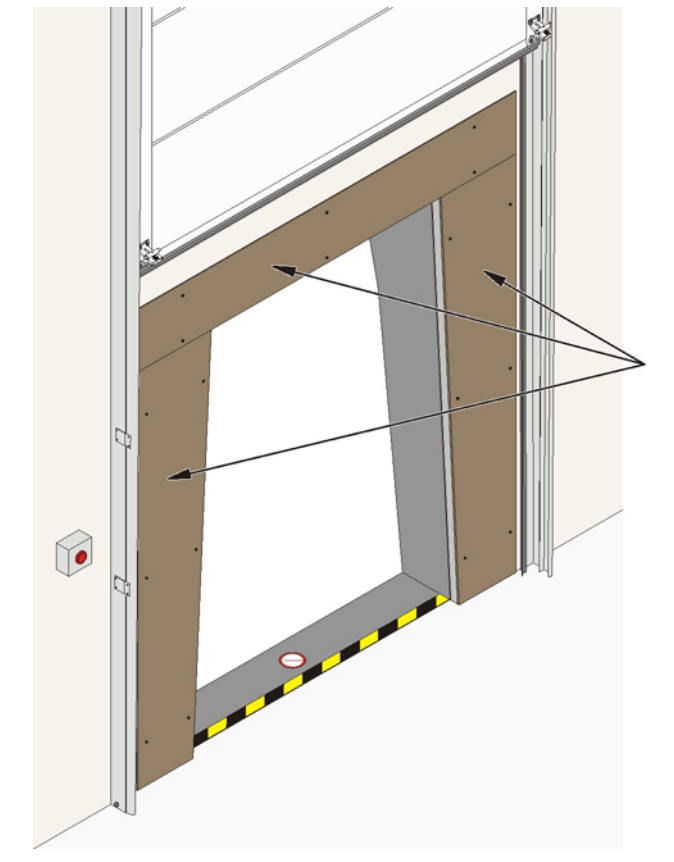
Inside view

2.2 Installation frame

- For the installation type inside the door opening, an optional steel frame made of tubes 80x40 mm without fixing material is available in 4 sizes for the following door opening dimensions:
 - 1) 2000x2200 mm (AxB)
 - 2) 2100x2200 mm (AxB)
 - 3) 2000x2300 mm (AxB)
 - 4) 2100x2300 mm (AxB)

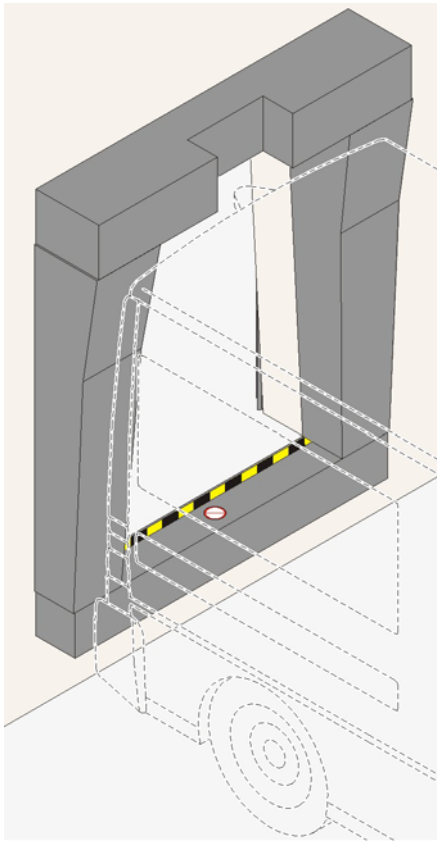


- For the installation frame, an optional brown back plate cover made of plywood veneer is available.



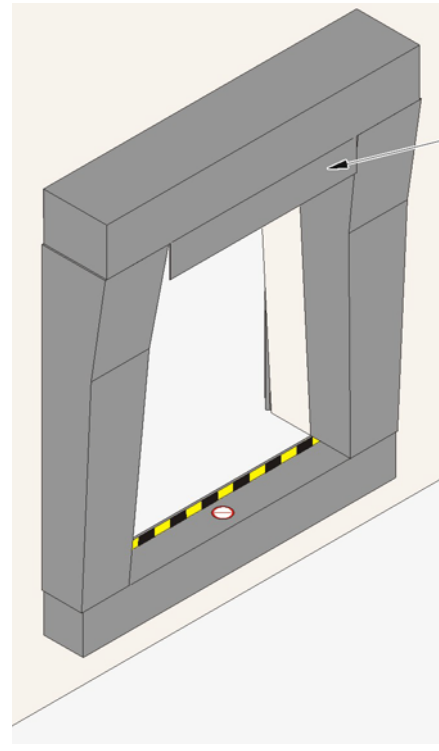
2.3 Top cushion with camera recess (480 x 200 mm)

- Suitable for vans with rear cameras to avoid any damage or interruptions in the flow.



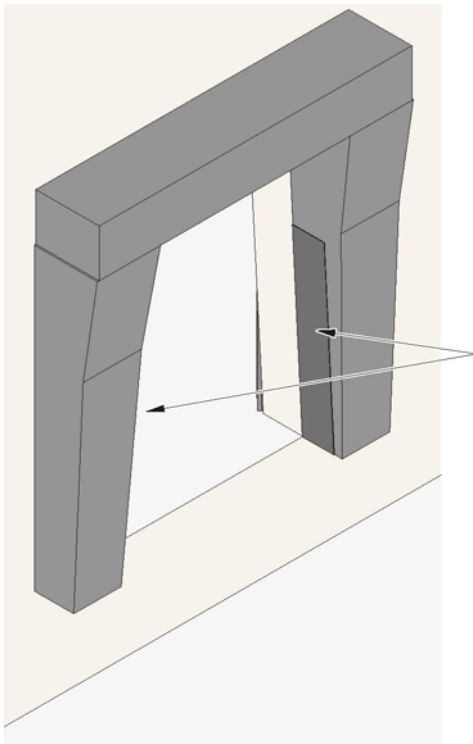
2.4 Top cushion with 200 mm top flap

- Suitable for smaller vans with a total height of less than 2,6 m
- Closes the gap between the roof of the van and the top cushion to increase the sealing effect
- Less draught into the building
- Only available without camera recess



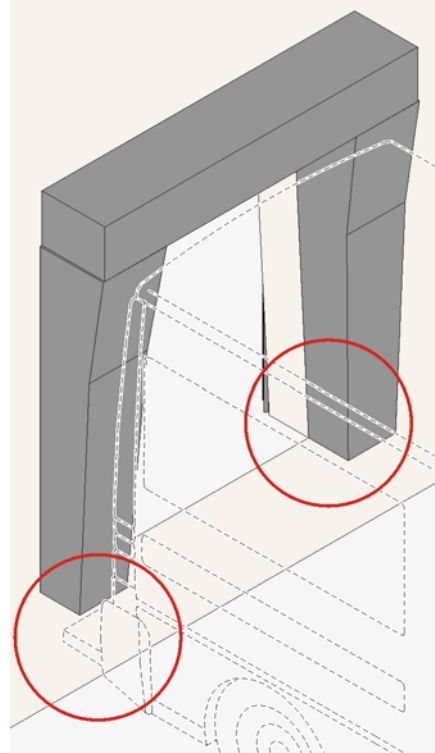
2.5 Side cushions with wear shields 1200x200 mm, extra layer 3 mm thick

- Suitable for loading operations with pallet trucks
- Protection of the side cushions to avoid damage from the pallet trucks or goods during the loading operation

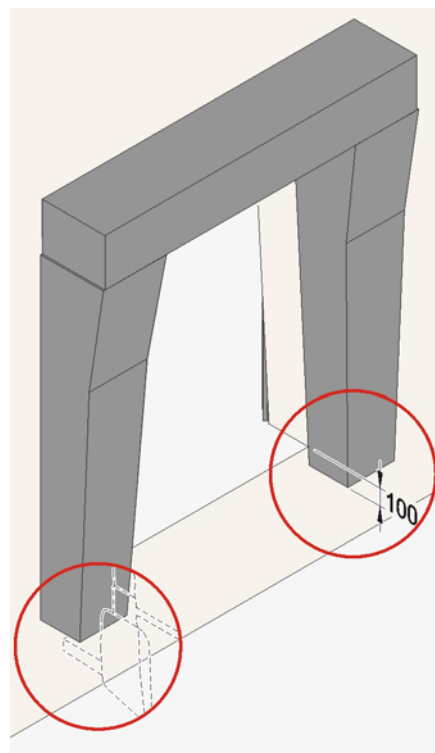


2.6 Without bottom cushion

- Suitable for vans with a step at the rear end (see below image) to secure that the van is positioned as close as possible to the dock, and to avoid any damage or interruptions in the flow



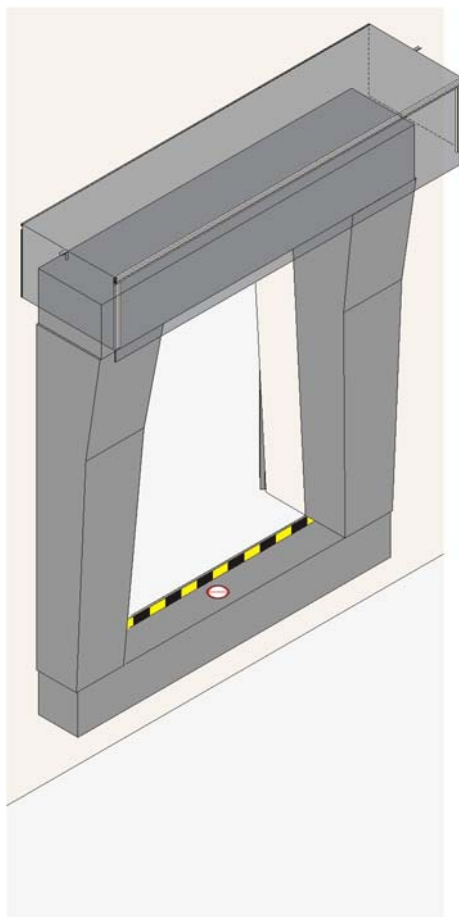
Standard



100 mm below dock

2.7 With separate roof

- Additional fixed roof with integrated rain channel
- Suitable for buildings without extension roof above the dock shelters to provide additional weather protection throughout the complete loading operation

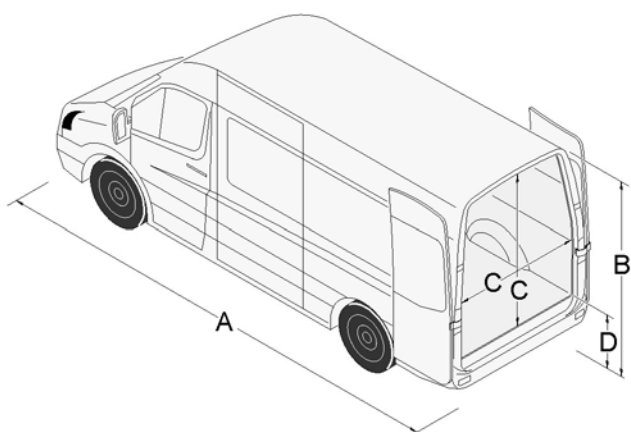


3. Selection Guide

3.1 Van specifications

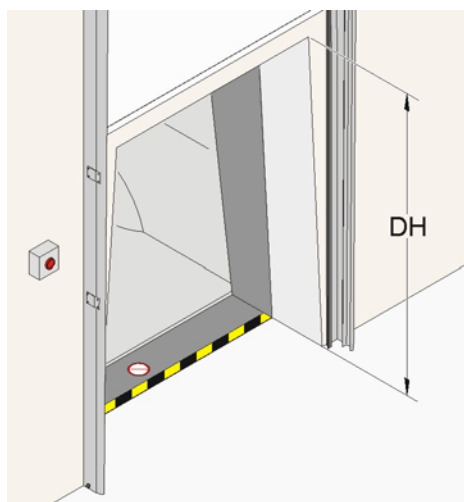
The ASSA ABLOY DS6060VC van cushion shelter is the ideal solution for vans like Mercedes Sprinter and VW Crafter with the typical curved shape and rear hinged doors that you can flip around completely to 270 degrees. If the loading operation is carried out by vans with a box shaped loading area construction and rear sliding doors that open to the sides, then a curtain dock shelter would be the correct solution.

3.2 Suitable vans

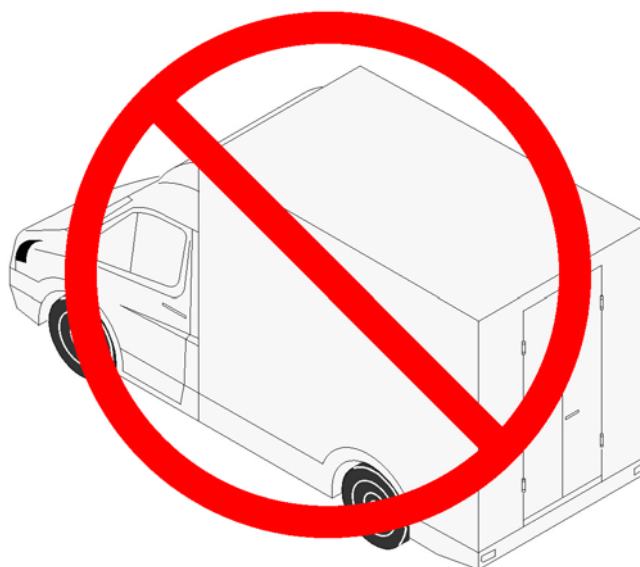


| | | |
|---|----------------------------------|---------------------|
| A | Total length | Approx. 6,0 – 7,0 m |
| B | Total height | Approx. 2,6 – 2,9 m |
| C | Rear hinged door, width x height | Approx. 1,5 x 1,8 m |
| D | Van bed height | Approx. 0,6 – 0,7 m |

Remark: The door opening and the dock shelter are 1,9 or 2,0 m and that fits exactly to the opening of the rear hinged doors of the van. The operator of the facility must consult the local Work Safety Authorities to get permission to run the loading operations with a working height of only 1,9 or 2,0 m.



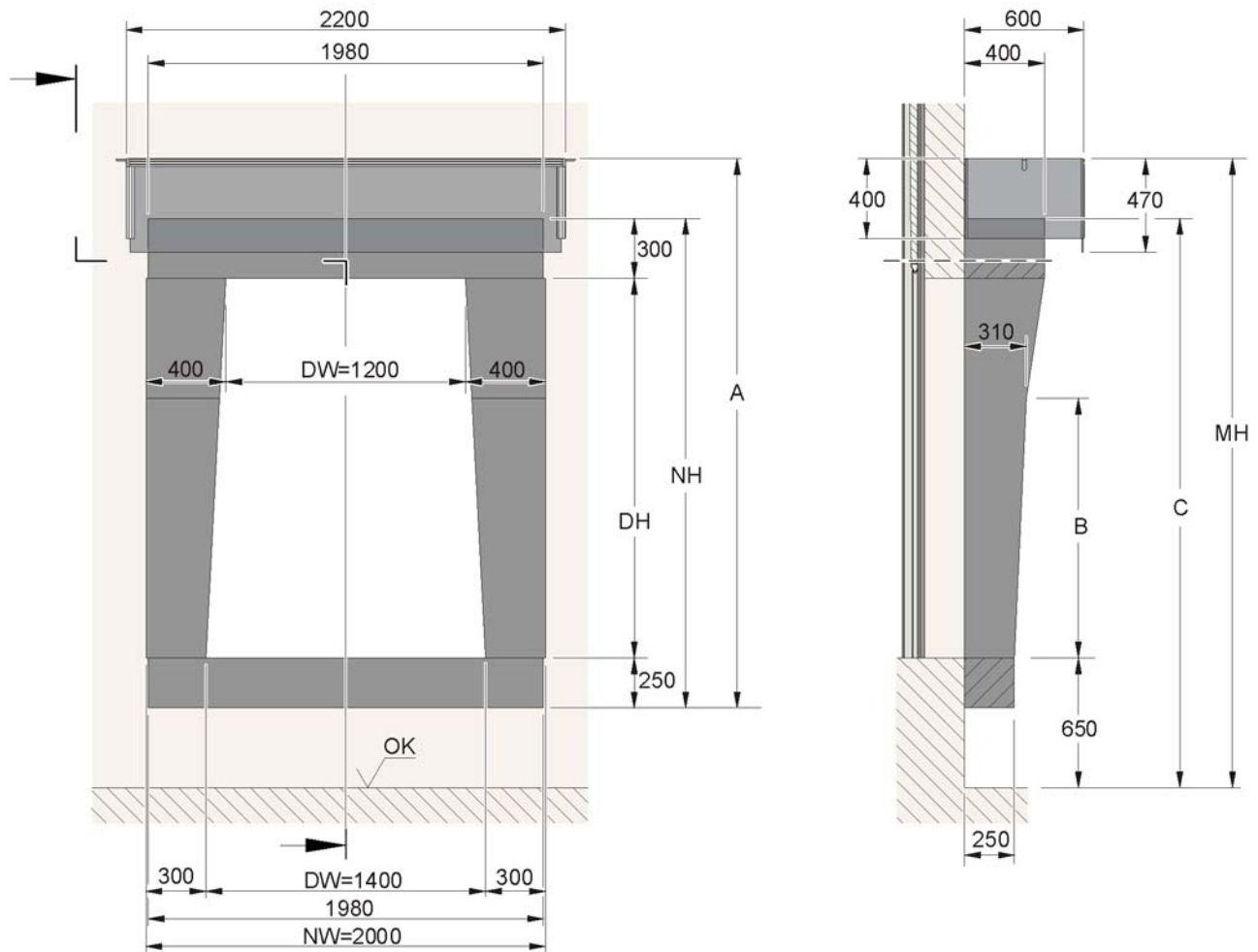
3.3 Unsuitable vans



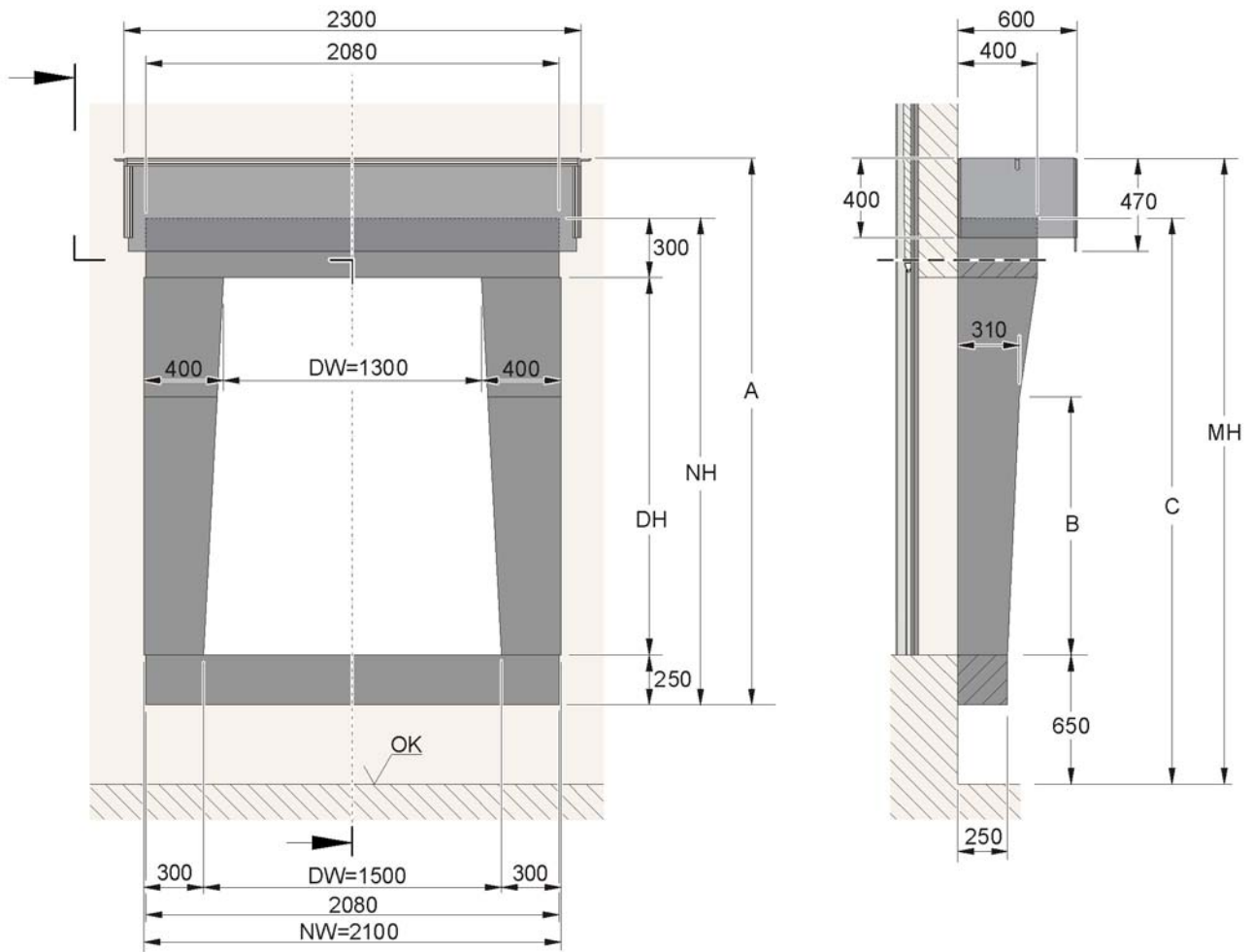
4. Specifications

4.1 Dimensions

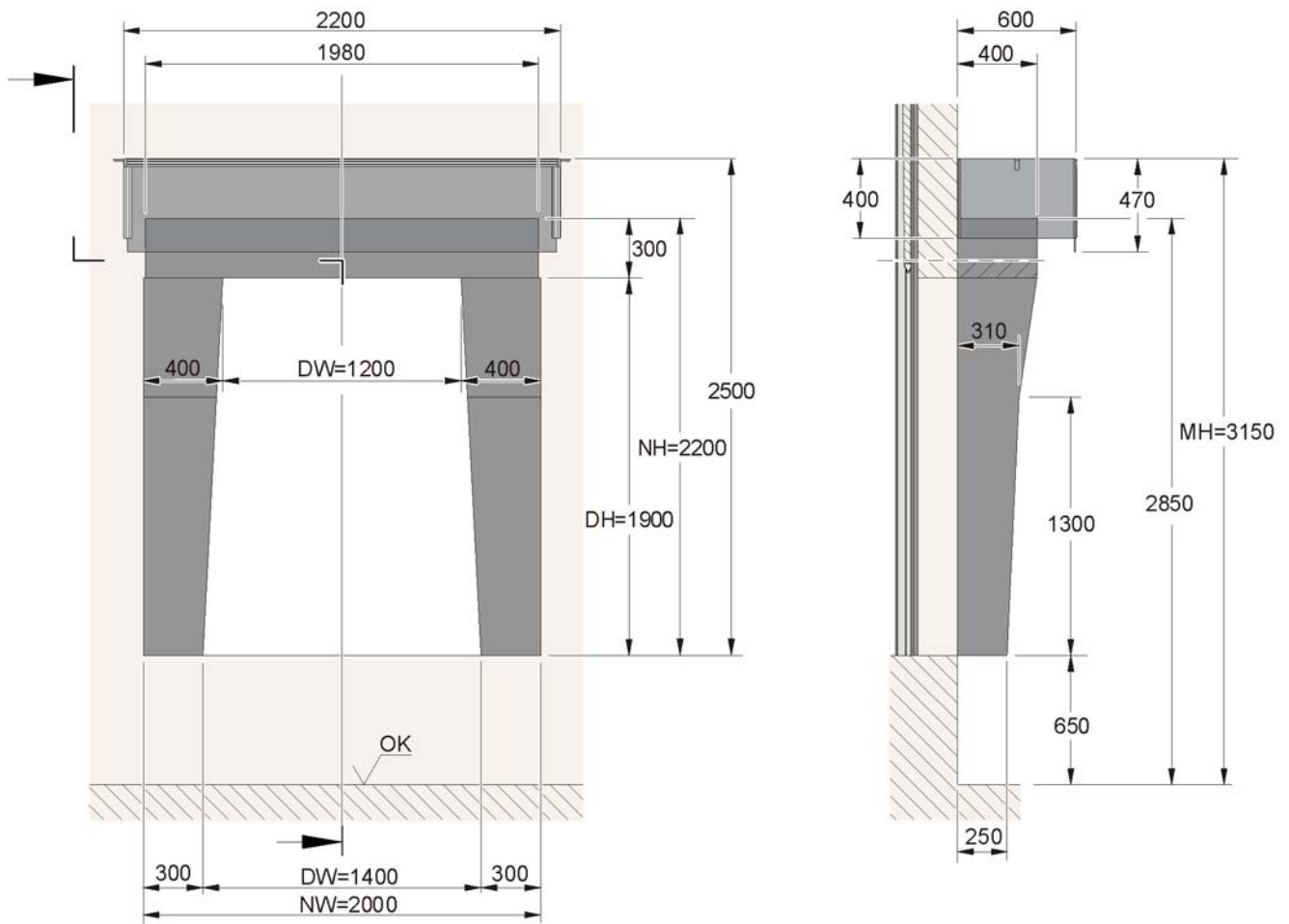
Dimensions of the standard size, dock shelter nominal width 2.000 mm



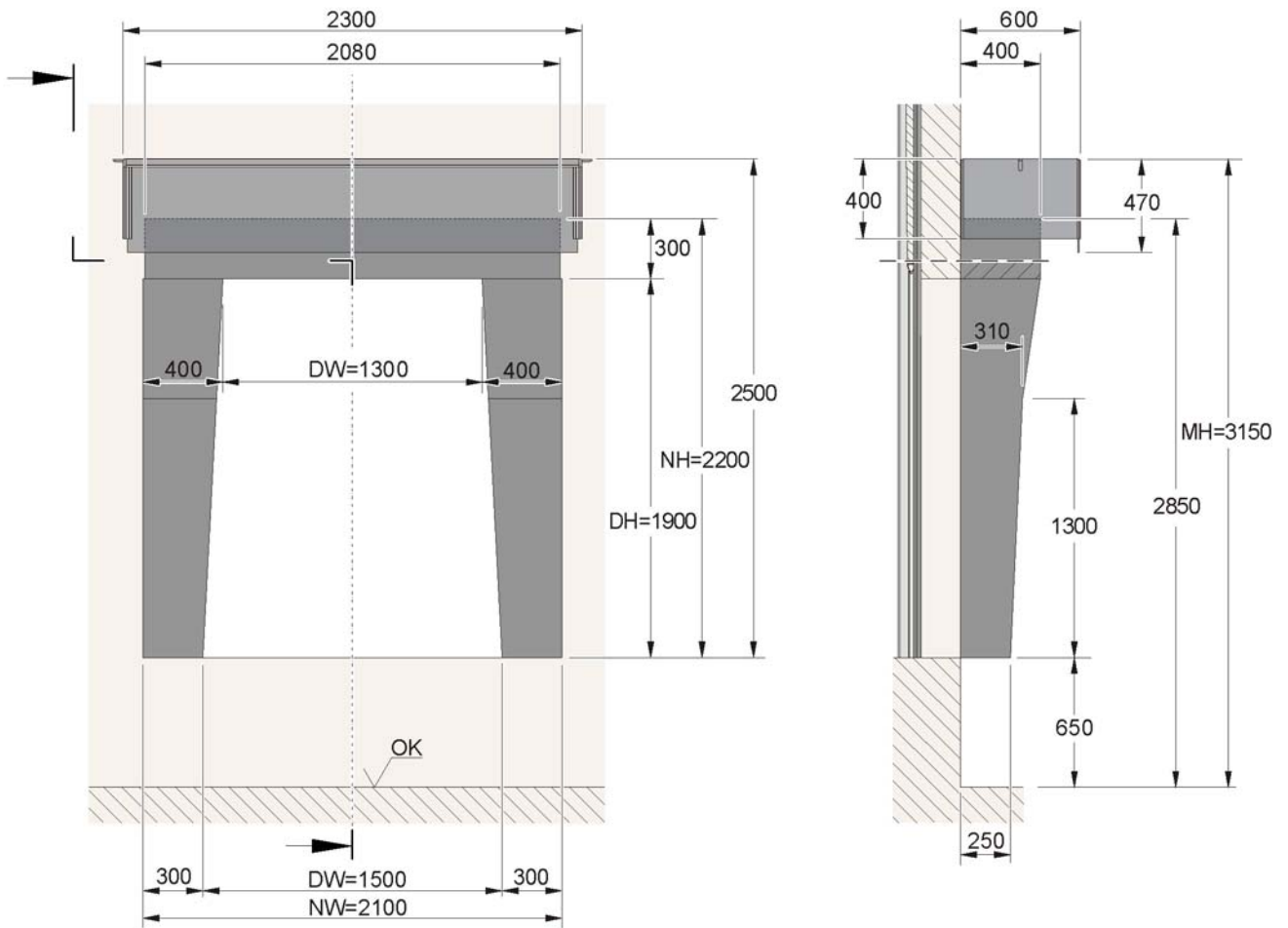
Dimensions of the optional size, dock shelter nominal width 2.100 mm



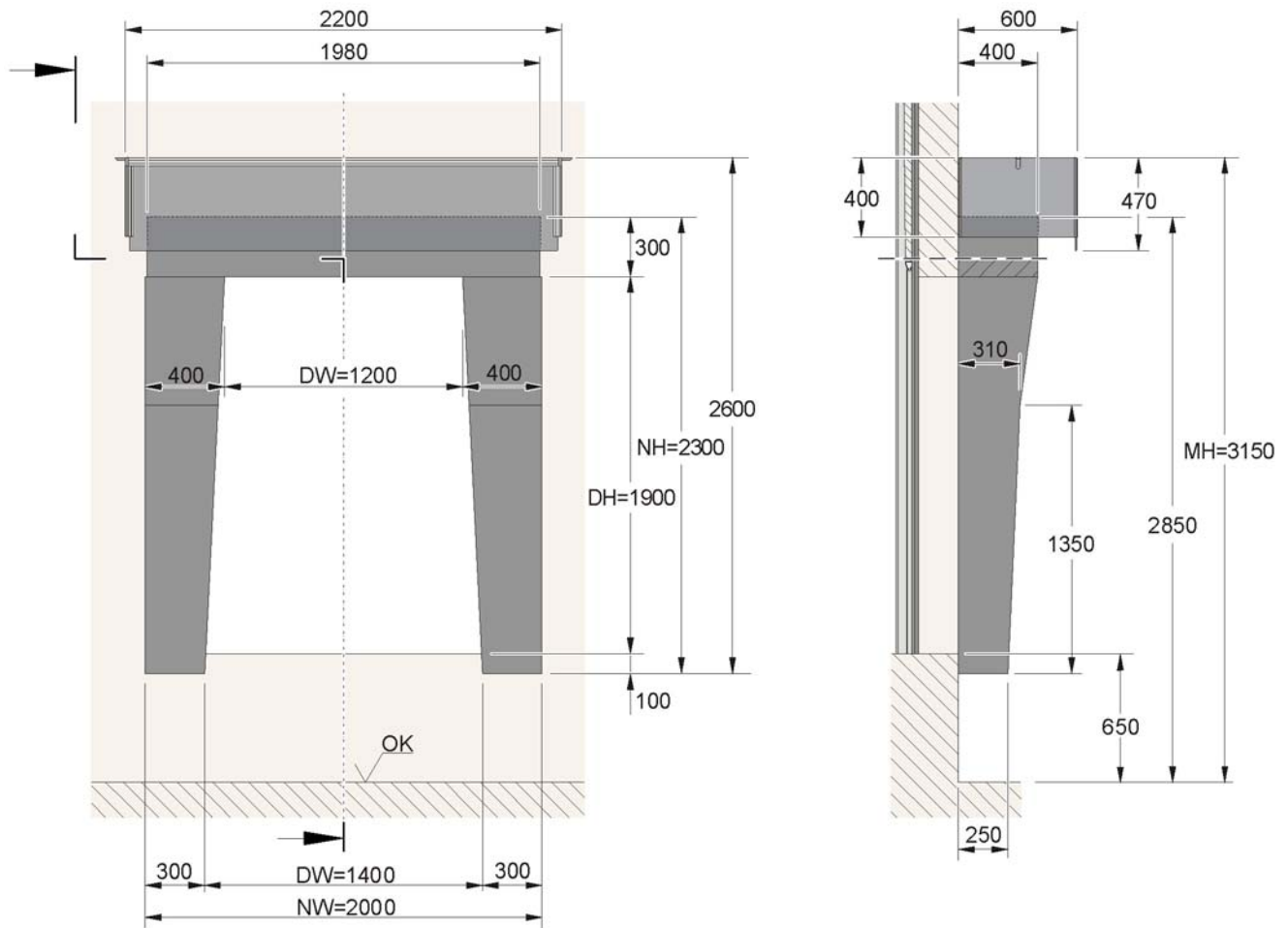
Dimensions of the optional version without bottom cushion standard, dock shelter nominal width 2.000 mm



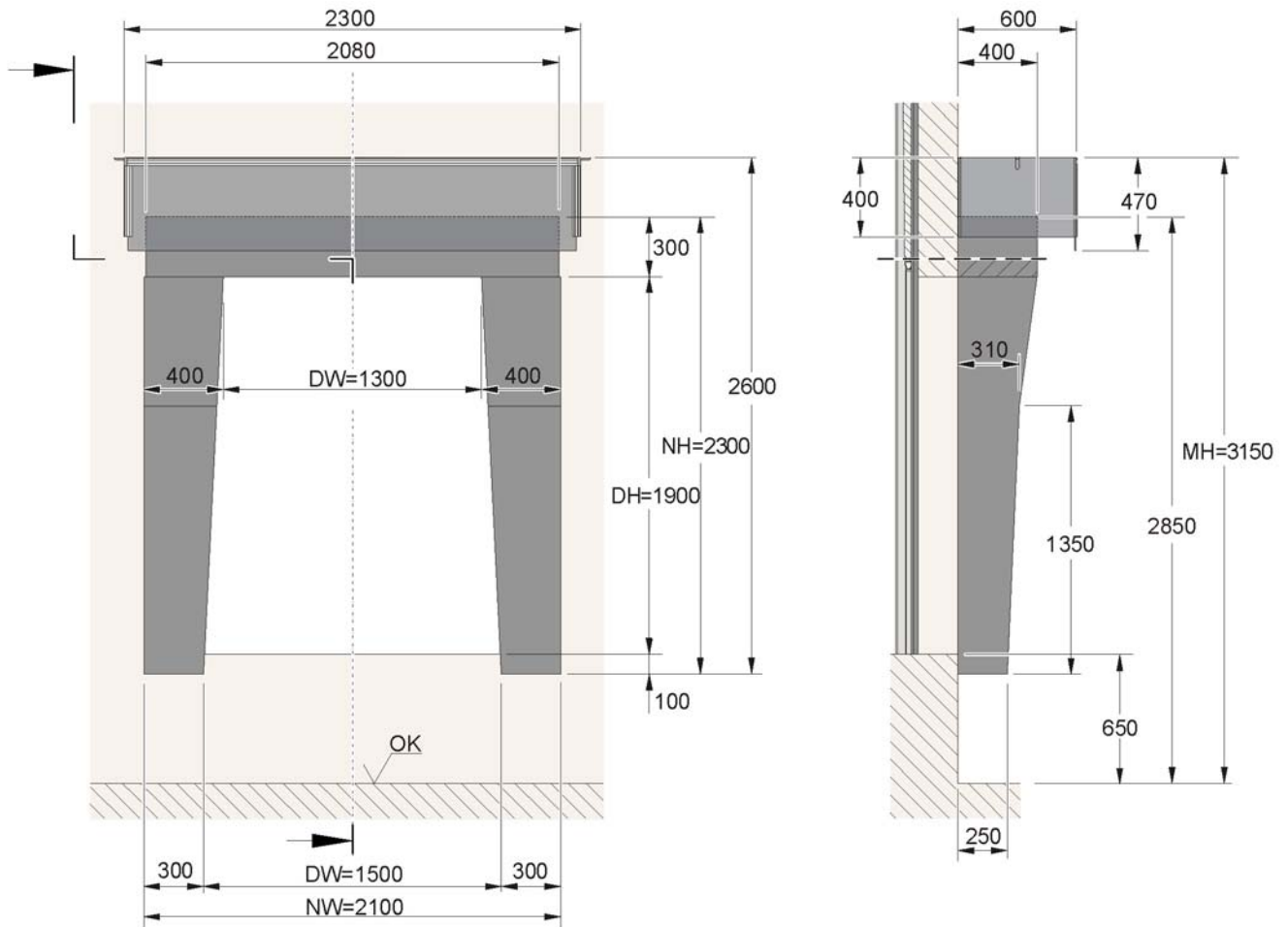
Dimensions of the optional version without bottom cushion standard, dock shelter nominal width 2.100 mm



Dimensions of the optional version without bottom cushion 100 mm below dock, dock shelter nominal width 2.000 mm

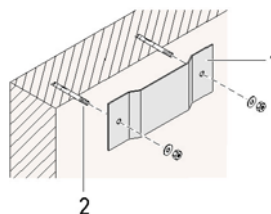
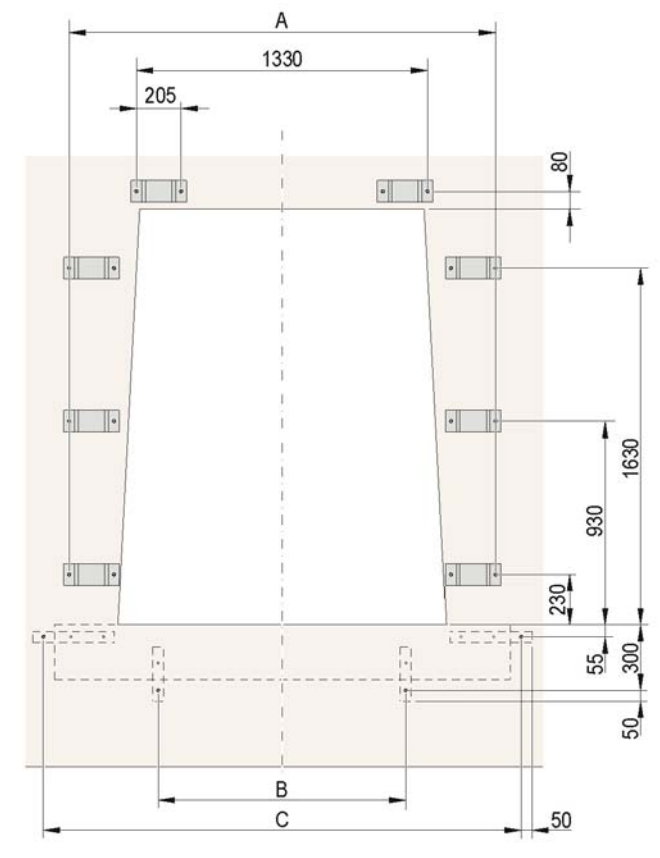


Dimensions of the optional version without bottom cushion 100 mm below dock, dock shelter nominal width 2.100 mm

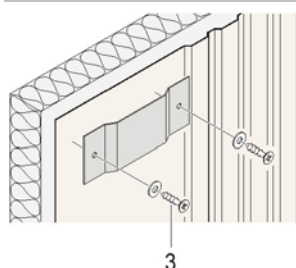


5. Building and space requirements

5.1 Fixing points and wall fixings 4-sided cushion shelter



Concrete wall

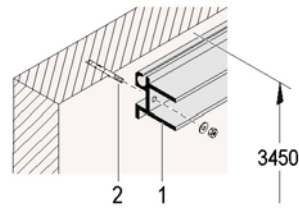
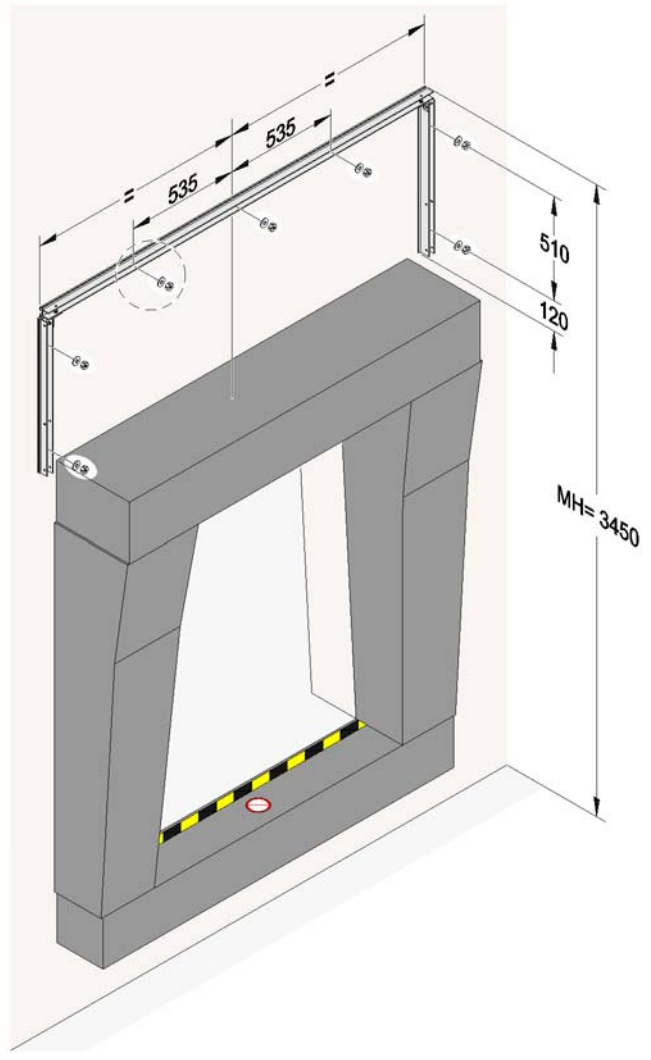


Cavity wall

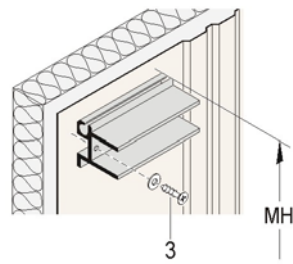
| NW | A |
|----------|---------|
| 2.000 mm | 1930 mm |
| 2.100 mm | 2030 mm |

- 1) Installation bracket
- 2) Expansion bolt
- 3) Self-tapping screw

5.2 Fixing points and wall fixing separate roof



Concrete wall



Cavity wall

- 1) Extruded aluminum section – rear frame
- 2) Expansion bolt
- 3) Self-tapping screw

6. Service you can rely on



Gold

The ultimate protection

With full coverage, Gold Service enables you to plan and budget your expenses annually.

- Spare parts for emergency calls
- Labor and travel costs for emergency calls
- Replacement of components according to preventive maintenance schedule and to fulfill legislative and safety requirements

Silver

Added advantages

With cover for all service calls during business hours, Silver Service offers you peace of mind.

- Labor and travel costs for emergency calls
- Preventive maintenance

Bronze

Scheduled Service

With scheduled on site visits, Bronze Service means you know that your doors and docking systems will be regularly serviced and inspected.

- Preventive maintenance

Included in all packages

| | | | |
|---|---|---|--|
| 1-4 scheduled maintenance visits per year | 24/7 priority service hotline and fast response | Safety, compliance and quality control checks | Documentation reports provided on site |
|---|---|---|--|

Expert service you can rely on

A healthy business enjoys a steady flow of goods, services and people through its entrances every day. But heavy traffic puts entrances under pressure as every component works to keep them running.

ASSA ABLOY Entrance Systems offer the industry's most complete, flexible service solutions. Because even something as robust and well-engineered as an ASSA ABLOY door or docking system needs to be serviced to stay in great working order.

Pro-active care packages

An ASSA ABLOY service agreement gives you service you can rely on. We have specialized local service technicians on call to take care of your service needs. Equipped with a wide range of spare parts and expertise, to keep your industrial doors and docking systems running.

With an ASSA ABLOY service agreement you can ensure reliable, safe and sustainable operations at every entrance under your agreement, including doors and docking systems, independent of brand.

ASSA ABLOY e-maintenance™ (optional add-on)

For an online overview of your entrance systems and history, add ASSA ABLOY e-maintenance™ to your service package for:

- Easy access to real-time data on all your doors
- Planning, order and service information
- Overview that helps you control lifecycle costs

Index

| | | | |
|--|----|--|----|
| A | | T | |
| Application | 6 | Technical facts | 3 |
| B | | Top cushion with 200 mm top flap | 10 |
| Building and space requirements ... | 20 | Top cushion with camera recess (480 x 200 mm) | 10 |
| C | | U | |
| Copyright and Disclaimer Notice | 2 | Unsuitable vans | 13 |
| D | | V | |
| Description | 6 | Van specifications | 13 |
| Description of available options | 8 | W | |
| Dimensions | 14 | With separate roof | 12 |
| F | | Without bottom cushion | 11 |
| Features | 3 | | |
| Fixing points and wall fixing separate roof | 21 | | |
| Fixing points and wall fixings 4-sided cushion shelter | 20 | | |
| I | | | |
| Installation frame | 9 | | |
| Installation type inside the door opening | 8 | | |
| M | | | |
| Mode of operation | 6 | | |
| O | | | |
| Options | 7 | | |
| Overview | 7 | | |
| P | | | |
| Performance | 4 | | |
| S | | | |
| Selection Guide | 13 | | |
| Service you can rely on | 22 | | |
| Side cushions with wear shields 1200x200 mm, extra layer 3 mm thick 11 | | | |
| Specifications | 14 | | |
| Standard | 7 | | |
| Suitable vans | 13 | | |

The ASSA ABLOY Group is the global leader in access solutions.
Every day, we help billions of people to experience a more open world.

ASSA ABLOY
Entrance Systems

ASSA ABLOY Entrance Systems provides solutions for efficient and safe flow of goods and people. Our offering includes a wide range of automated pedestrian, industrial and residential doors, loading dock equipment, perimeter fencing and service.

assaabloyentrance.com

2020-03



ASSA ABLOY Entrance Systems

assaabloyentrance.com