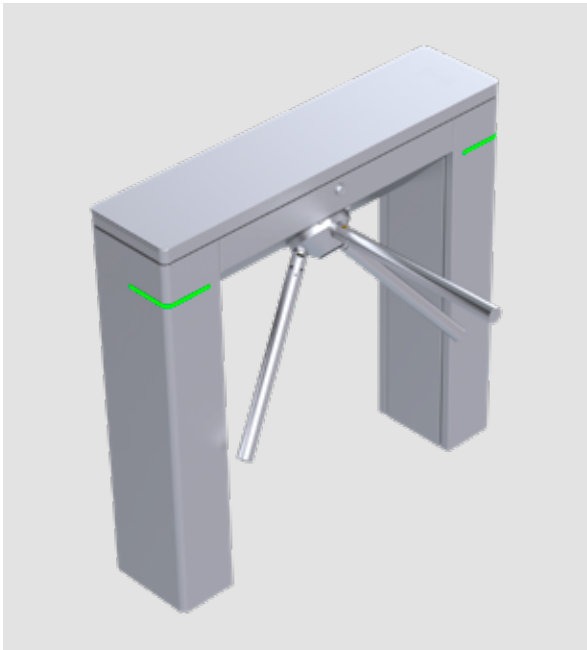


# Tripods

## ASSA ABLOY TS100 Series

**ASSA ABLOY**  
Entrance Systems

Experience a safer  
and more open world



Boost your venue's people flow experience with a robust, top-quality access point – specifically designed to control heavy traffic in supervised environments.

Our new Tripod Turnstile TS100 from ASSA ABLOY is an extremely stable yet stylish solution for frequently visited, secured environments. With its durable 3-section, stainless steel design, it stands up to the heaviest usage conditions, as well as providing several drive mechanism options for your greater comfort.

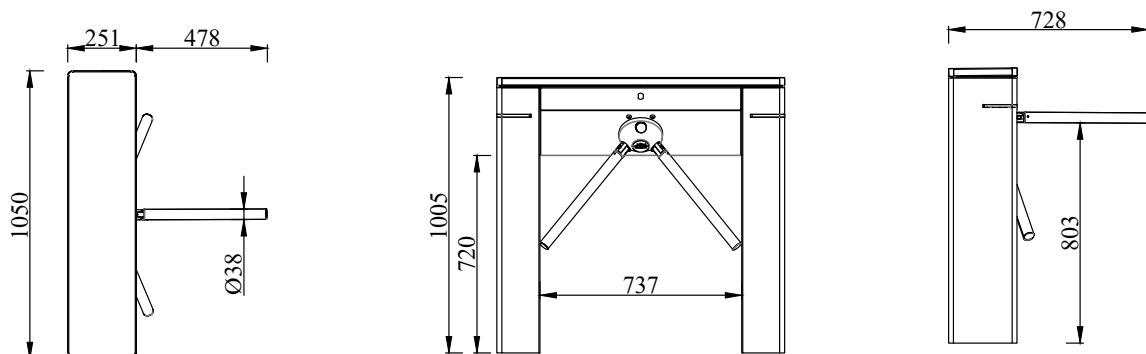
This bidirectional, logic-controlled entryway is well equipped to deal with potential power outages and relies on a self-centering, electromechanical drive mechanism (as well as a hydraulic damper and antibackup device) to ensure complete rotation of the steel drop arms, even in emergency mode. As such, it's more than suitable for the all the challenges heavy daily use provides – for as long as you need.

### Design specification

Construction	Steel housing and arms, aluminium tripod hub
Passage width	530 mm
Arm length	480 mm
Cabinet size (WxLxH)	250 x 1050 x 1000 mm
Weight	51 Kg
Power Supply	100 – 240 VAC, 50/60 Hz
Logic Voltage	24V DC
Standby power consumption	3.8 W
Operation Temperature	-20 ° / +70 °
IP Protection	Cabinet IP54
MCBF	10.000.000
MTTR	< 30 min.

### Options

- Electromechanical and hand-operated, electromechanical and hand-operated with drop arm, or motor-driven with drop arm drive mechanism
- Fail-safe (standard)
- Housing material in 2 mm thick stainless steel (AISI 304/316), or powder-coated steel in RAL colours



## Essential functions and interface features

### Customisable settings

The TS100 turnstile has a logic-controlled interface and operates bi-directionally. Entrance and exit directions can be individually set as controlled, locked, or free rotation. After the release, the turnstile blocks itself after an adjusted time if no transition or passage occurs. If people from both directions would like to pass through simultaneously, the first person who activates the turnstile comes first.

### Controlled access

When in controlled access mode, after the release confirmation sent by the access control system, the turnstile unlocks the released direction and enables one-person access. After each person, the turnstile rotor blocks passage again, and does not permit access from entrance or exit directions until receiving a new release signal from the access control system.

### Multiple openings

An additional person is able to use the next passage cycle during an ongoing passage cycle in both directions. The turnstile controller stores up to 255 releases, and can allow the same amount of individuals to pass through.

### Emergency modes

In the event of an emergency or power cut, the mechanism unlocks the rotor and the arms rotate freely in both directions. (In drop-arm or motorised versions, the hinged arm design opens the passage in both directions automatically.) During emergency mode, the acoustic alarm and the LED indicators will both keep signalling. The turnstile resets itself automatically when the emergency alarm stops or the power is switched back on. (In the drop-arm version, the arm should be lifted manually.)

### LED indicators

The LED lights on the turnstile indicate the operating status in both directions.

	Option-1	Option-2
Green	Standby or locked	Released or free passage
Red	Released or free passage	Standby or locked

### Accessories

Stainless steel (or tempered glass) apron infill
Mounting plate for raised/suspended floor
Ramp plate
Heating kit for -40 degrees
Sensor kit integration (for jump-over/crawl-under attempts)
Additional LED indicator pictogram on the lid or leg
Backup battery
Access controller integration brackets on demand.

### Settings

Operation mode for each directions:	Controlled / Free / Locked
Acoustic notifications:	On/Off
Release time out:	5-10-15-20 secs
Consecutive passage:	On/Off
Emergency connection	On/Off
LED indicator options:	Option-1/Option-2