

Product datasheet

Dock shelter

ASSA ABLOY DS6060P

ASSA ABLOY

ASSA ABLOY Entrance Systems

The global leader in
door opening solutions



Copyright and Disclaimer Notice

Although the contents of this publication have been compiled with the greatest possible care, ASSA ABLOY Entrance Systems cannot accept liability for any damage that might arise from errors or omissions in this publication. We also reserve the right to make appropriate technical modifications/replacements without prior notice.

No rights can be derived from the contents of this document.

Color guides: Color differences may occur due to different printing and publication methods.

No part of this publication may be copied or published by means of scanning, printing, photocopying, microfilm or any other process whatsoever without prior permission in writing by ASSA ABLOY Entrance Systems.

Copyright © ASSA ABLOY Entrance Systems AB 2006-2018.

All rights reserved.

ASSA ABLOY, Besam, Crawford, Albany and Megadoor as words and logo are trademarks belonging to the ASSA ABLOY Group

Technical facts

Features

| | |
|------------------------|--|
| Sizes – nominal height | 3200, 3400, 3600, 3800, 4000, 4200, 4400, 4600 mm |
| Sizes – nominal width | 3200, 3250, 3400, 3450, 3500 mm |
| Sizes – top curtain | 1000, 1200, 1500 mm |
| Sizes – side curtain | 600, 700 mm |
| Sizes - nominal depth | 600 mm, 900 mm |
| Curtain colour | Black |
| Parking guides | White |
| Wall fixings | Concrete, sandwich, light concrete, loadhouse, cavity, insulated panel |

Performance

| | |
|--------------------------------|---|
| Top and side curtain material: | double layer high quality polyester coating on both sides |
| Front and rear frame | extruded aluminium profiles |

Top and side curtains

| | |
|--------------------------------------|---|
| Double layer high quality polyester: | |
| Thickness: | 3.0 mm |
| Coating: | Front and back |
| Weight: | Approx. 3400g/m ² |
| Flammability: | DIN 75200 |
| Tensile strength: | DIN 53354 <ul style="list-style-type: none">• Longitudal: 7000N/5cm• Transverse: 5000N/5cm |
| Tear elongation: | DIN 53363 <ul style="list-style-type: none">• Longitudal: 750 N• Transverse: 900 N |

| | |
|-----------------------------------|---|
| One layer high quality polyester: | |
| Thickness: | 0.5 mm |
| Coating: | Front and back |
| Total weight: | Approx. 680 g/m ² |
| Flammability: | DIN 75200 |
| Tensile strength: | DIN 53354 <ul style="list-style-type: none">• Longitudal: 2700N/5cm• Transverse: 2300N/5cm |
| Tear elongation: | DIN 53363 <ul style="list-style-type: none">• Longitudal: 300 N• Transverse: 250 N |

Contents

| | |
|--|----|
| Copyright and Disclaimer Notice | 2 |
| Technical facts | 3 |
| Contents | 4 |
| 1. Description | 5 |
| 1.1 Application | 5 |
| 1.2 Mode of operation | 5 |
| 1.3 Overview | 5 |
| 1.4 Standard | 5 |
| 1.5 Options | 5 |
| 1.6 Description of available options | 6 |
| 2. Selection Guide | 7 |
| 2.1 Installation height | 7 |
| 2.2 Top curtain length | 7 |
| 2.3 Free space above | 7 |
| 2.4 Nominal depth | 7 |
| 2.5 Example | 7 |
| 3. Specifications | 8 |
| 3.1 Dimensions | 8 |
| 3.2 Nominal width selection guide | 9 |
| 4. Construction | 10 |
| 5. Building and space requirements | 11 |
| 5.1 Fixing points | 11 |
| 5.1.1 Fixing points dimensions | 12 |
| 5.2 Wall fixings | 13 |
| 5.2.1 Cavity wall | 13 |
| 5.2.2 Concrete wall | 13 |
| 5.2.3 Insulated wall | 13 |
| 6. Service you can rely on | 14 |
| Index | 15 |

1. Description

1.1 Application

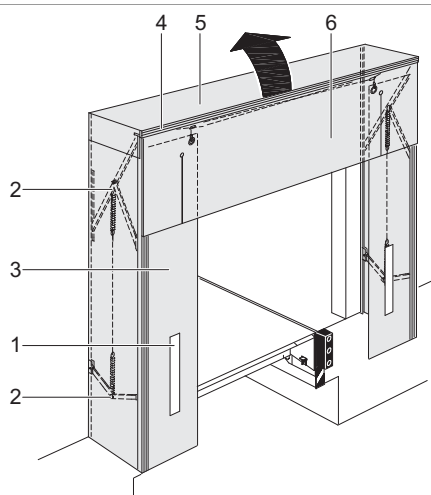
The ASSA ABLOY DS6060P curtain dock shelter parallel is the standard solution for energy saving oriented operators. The vehicle reverses into the dock shelter which seals it off with flexible side and top curtains, giving weather protection during the loading and unloading process. The result is an improved working environment and goods protection. The curtain material has a very high wear and tear resistance. The ASSA ABLOY curtain dock shelter programme comprises a number of models, meeting all customer demands and suitable for a wide range of vehicle sizes.

1.2 Mode of operation

The ASSA ABLOY DS6060P curtain dock shelter parallel comprises a front and rear extruded aluminium section frame connected by parallel bracing arms. Should the vehicle be parked inaccurately, both sides of the shelter will spring back automatically reducing damage to both the vehicle and the dock shelter to the bare minimum. The self-adjusting roof frame rises automatically independent of the side frames, in case of very high vehicles.

This construction also allows the dock shelter to be installed a short distance above external ground level. The ASSA ABLOY DS6060P curtain dock shelter parallel is available in a wide range of dimensions to meet the customer's individual demand.

1.3 Overview



- 1) White parking guides
- 2) Bracing arms
- 3) Side curtains
- 4) Extruded aluminium section
- 5) Self-adjusting roof frame
- 6) Split top curtain

1.4 Standard

| | |
|----------------------------|---|
| Nominal height | 3200, 3400, 3600, 3800, 4000, 4200, 4400, 4600 mm |
| Nominal width | 3200, 3250, 3400, 3450, 3500 mm* |
| Side curtain | 600, 700 mm |
| Top curtain | 1000 mm |
| Nominal depth | 600 mm |
| Curtain color and material | Black PVC fabric |
| Parking guides | white |

*Consult chapter 3.2 Selection guide

1.5 Options

| | |
|----------------|--|
| Nominal depth | 900 mm |
| Top part | rain channel |
| Top curtain | 1000 mm splitted 1200 mm standard 1200 mm splitted 1500 mm standard 1500 mm splitted digit on top curtain |
| Side curtain | reinforced rubber flaps placed left and right in lower corners behind the front curtain. notching on both sides |
| Parking guides | yellow |
| Wall fixings | Concrete, sandwich, light concrete, loadhouse, cavity, insulated panel |
| Corner seals | triangle or round cushions in lower corners of the dock shelter. |

1.6 Description of available options

Standard options for improved working conditions and less draught into the building.

A Rain Channel

The unique channel is integrated in the middle of the roof part.

- Controlled water drainage
- The water is led out left and right, not into the loading area

B Splitted top curtain

4 slits with double overlapping layer of PVC curtain material in the main wear area.

- Flexible coverage of rear top corners of docked vehicle for best sealing

Less draught into the building

C Digit on top curtain

300 mm high letters or numbers printed in the middle of the top curtain.

Individual customised marking of loading bays

D Reinforced rubber flaps

Robust rubber flap placed left and right in lower corners behind the front curtain

- Increased pressure on the docked vehicle body for best sealing
- Improved stability for the complete dock shelter in windy area

Less draught into the building

E Corner seals

Triangle or round cushions covered with PVC curtain material in lower corners of the dock shelter.

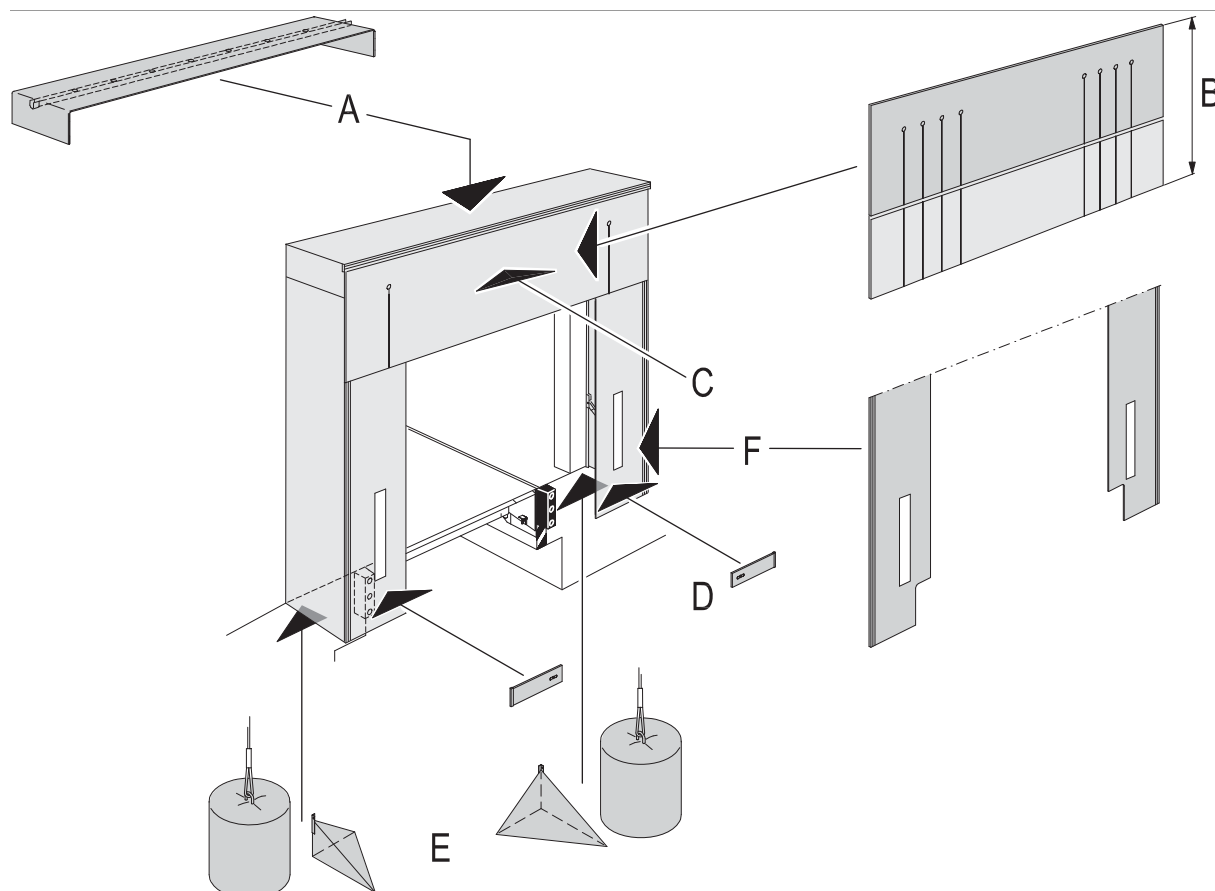
Minimization of draught from below during loading and unloading

F Notching on both sides

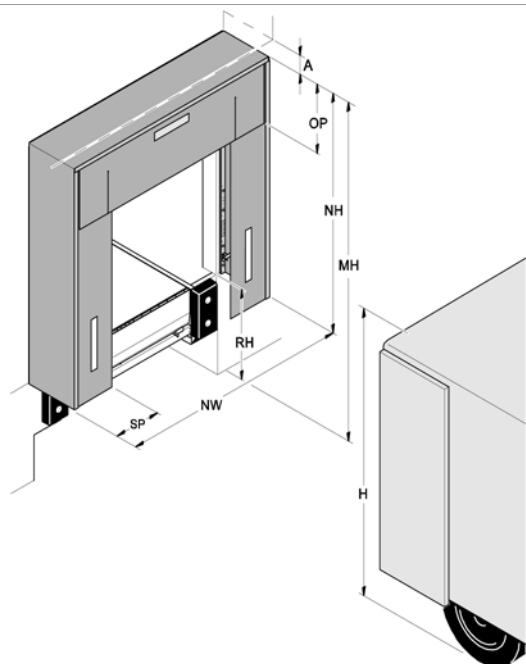
From factory a square of the lower corner front curtain is cut out.

- Avoid damaged front curtains due to the collision between vehicle and buffer.

Recommended in combination with min. 140 mm deep buffers, like RB, EBH, EBF or steel spring buffer.



2. Selection Guide



2.1 Installation height

The installation height [MH] should be minimum 250 mm above the truck [H] to secure that the pressure is not too big on the complete top part of the shelter and in order to avoid damages or bad functionality.

2.2 Top curtain length

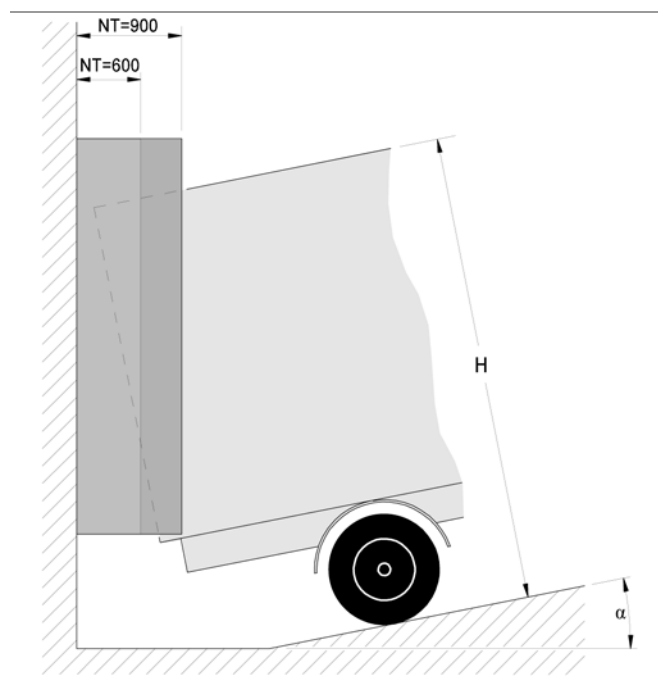
The length of the top curtain [OP] should be minimum 200 mm overlapping the truck in order to secure a good sealing effect.

2.3 Free space above

The minimum free space above the shelter [A] must not be less than $NT/2 - 200$.

2.4 Nominal depth

The nominal depth [NT] depends on the slope in front of the building [α] and the height of the truck [H]. To make sure that the truck is sealed completely NT should be bigger than $\alpha * H$.

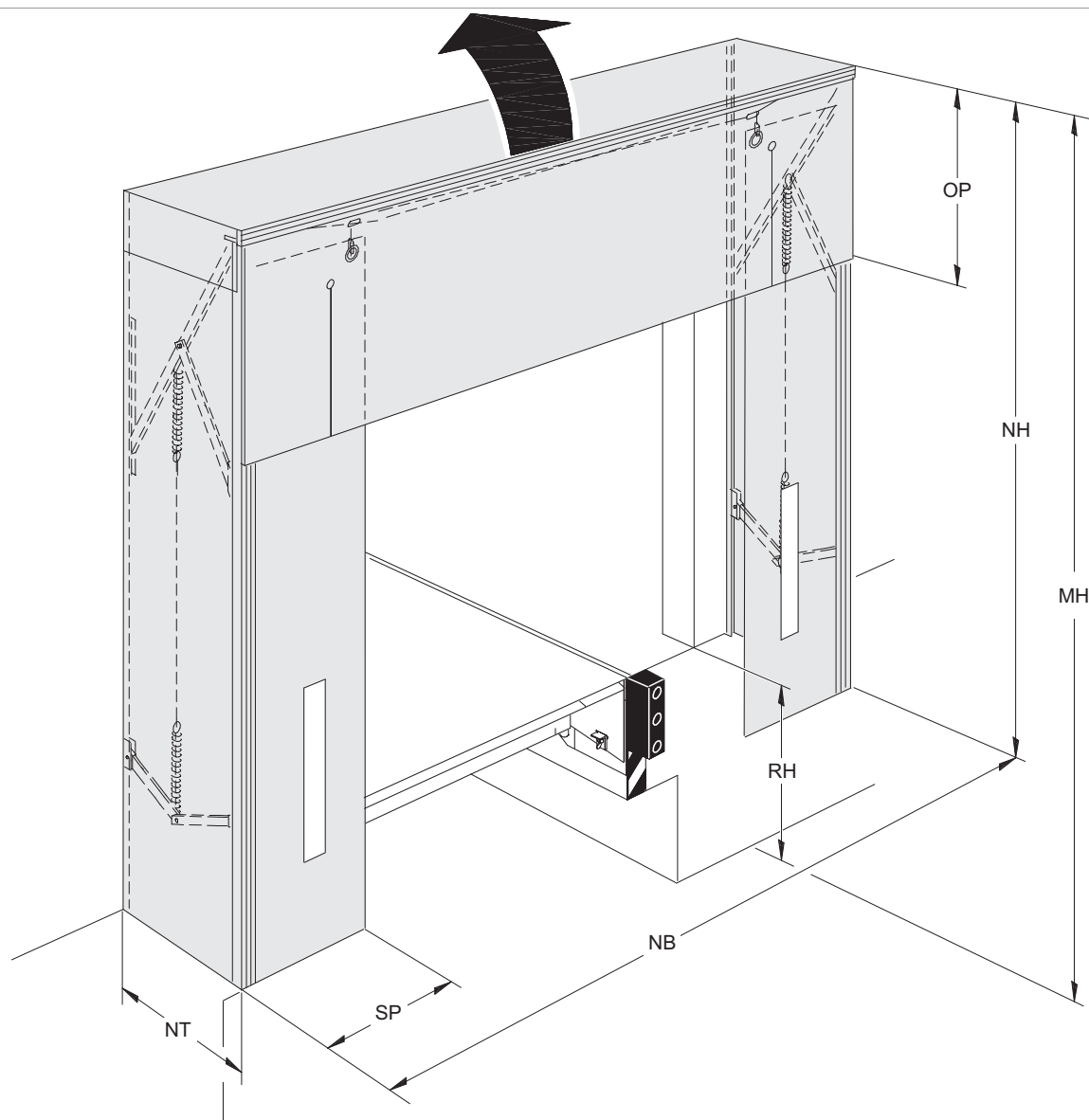


2.5 Example

$MH = 4500\text{mm}$
 $OP = 1000\text{mm}$
 $H_{\text{max}} = MH - 250\text{mm}$
 $H_{\text{min}} = MH - OP + 200\text{mm}$
 $\alpha = 16\% (\sim 9^\circ)$
 $H_{\text{max}} = 4500\text{mm} - 250\text{mm} = 4250\text{mm}$
 $NT1 = \alpha * H_{\text{max}} = 0,16 * 4250 = 680 \rightarrow NT 900$
 $A1_{\text{min}} = 900/2 - 200 = 250\text{mm}$
 $H_{\text{min}} = 4500\text{mm} - 1000\text{mm} + 200\text{mm} = 3700\text{mm}$
 $NT2 = \alpha * H_{\text{min}} = 0,16 * 3700 = 592 \rightarrow NT 600$
 $A2_{\text{min}} = 600/2 - 200 = 100\text{mm}$

3. Specifications

3.1 Dimensions



| Abb. | Dimension | Value (mm) |
|------|-----------------------|---|
| NB | Nominal width | 3200, 3250, 3400, 3450, 3500 mm |
| NH | Nominal height | 3200, 3400, 3600, 3800, 4000, 4200, 4400, 4600 mm |
| OP | Length of top curtain | 1000, 1200, 1500 mm |
| SP | Width of side curtain | 600, 700 mm |
| MH | Installation height | 4500 (recommended) |
| NT | Nominal depth | 600 mm, 900 mm |
| RH | Ramp height | |

3.2 Nominal width selection guide

| NB | Wall | LH S 3300 | LH S 3500 | LH M 3300 | LH M 3500 | LH 3600 |
|---------|------|-----------|-----------|-----------|-----------|---------|
| 3200 mm | □ | | | ■ | | |
| 3250 mm | ■ | ■ | | | | |
| 3400 mm | □ | | | | ■ | |
| 3450 mm | ■ | | ■ | | | |
| 3500 mm | □ | | | | | ■ |

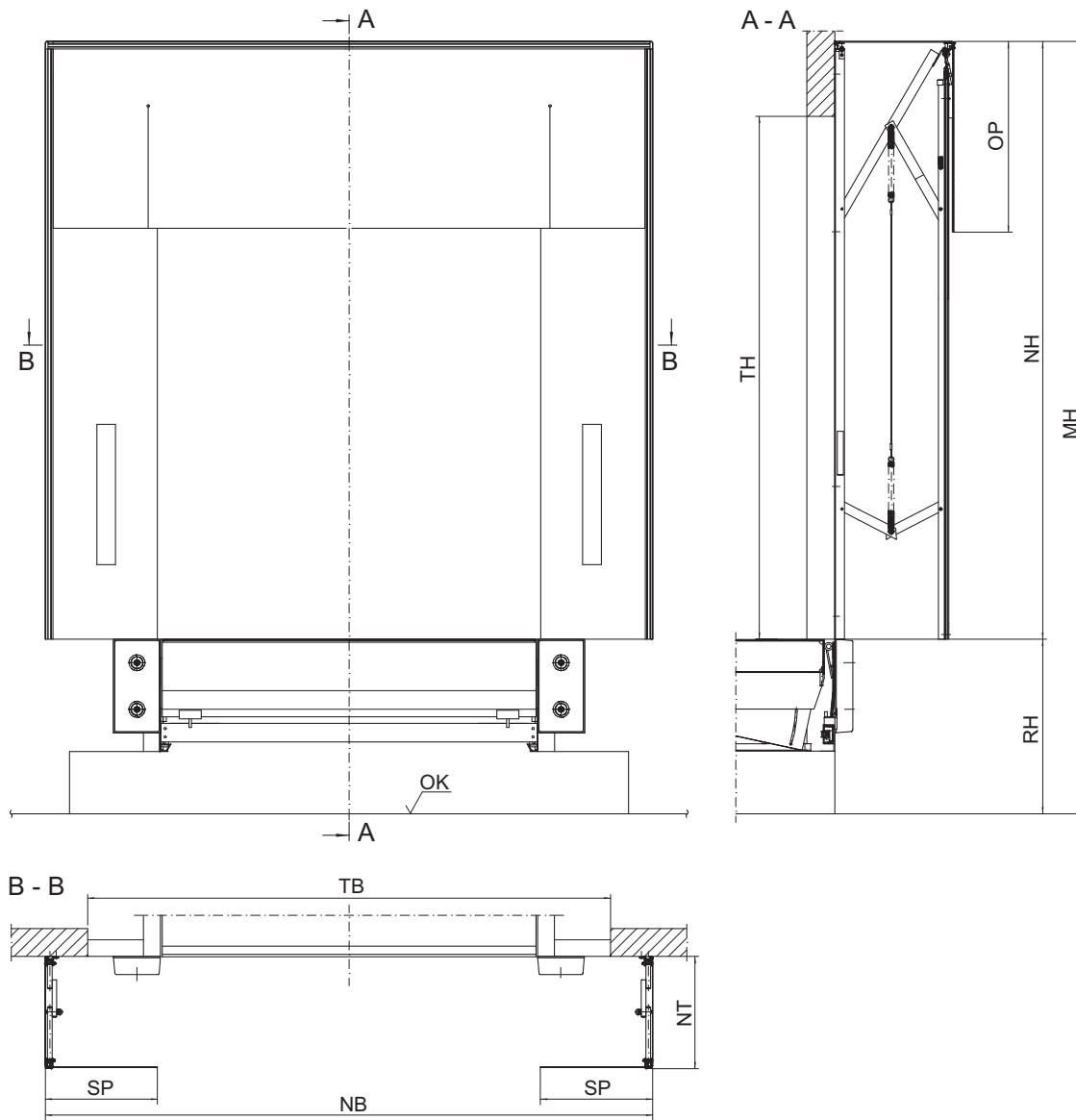
■ = standard

□ = special

LH S = Load house single installation

LH M = Load house multi installation

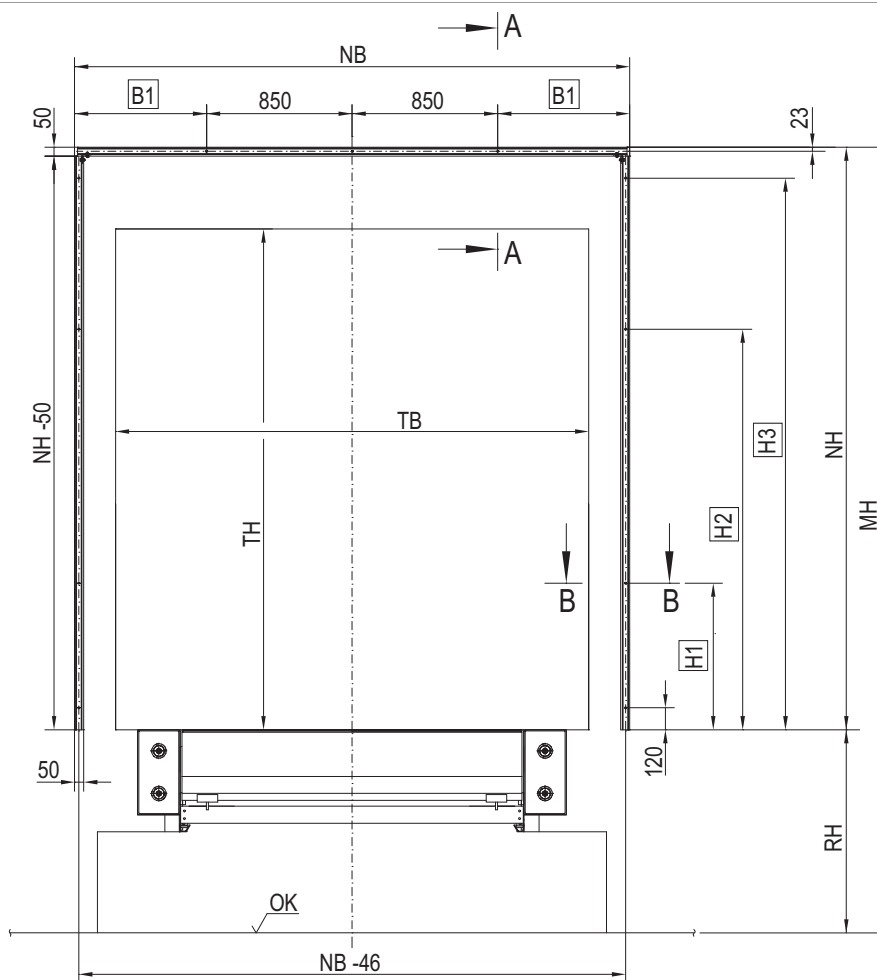
4. Construction



| | |
|----|---------------------|
| OK | Yard level |
| DH | Door height |
| OP | Top curtain |
| NH | Nominal height |
| MH | Installation height |
| RH | Dock height |
| DW | Door width |
| SP | Side curtain |
| NW | Nominal width |
| NT | Nominal depth |

5. Building and space requirements

5.1 Fixing points



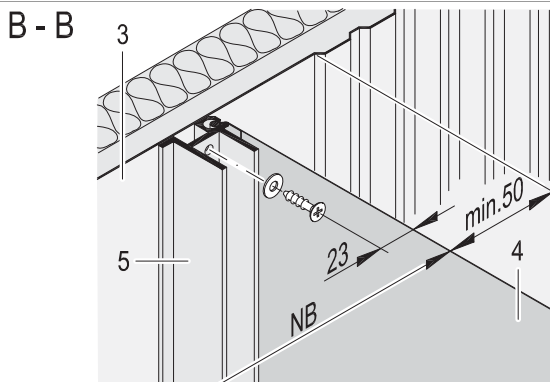
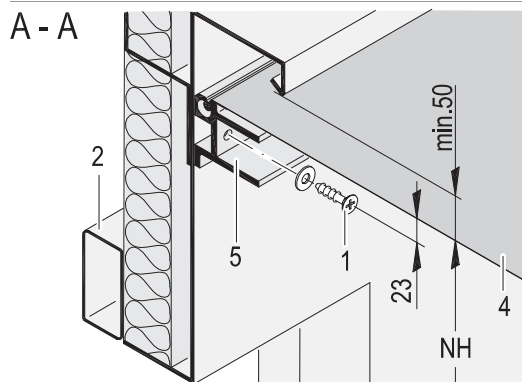
- OK Yard level
- DH Door height
- NH Nominal height
- MH Installation height
- RH Dock height
- DW Door width
- NT Nominal depth
- NW Nominal width

5.1.1 Fixing points dimensions

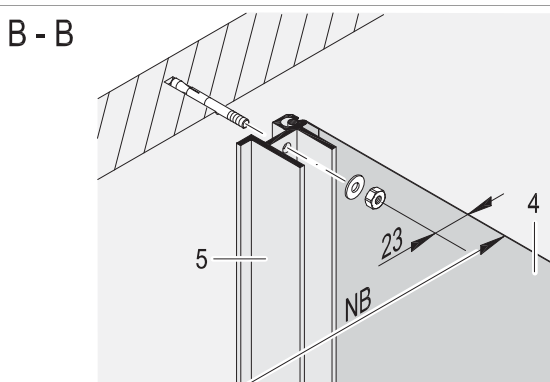
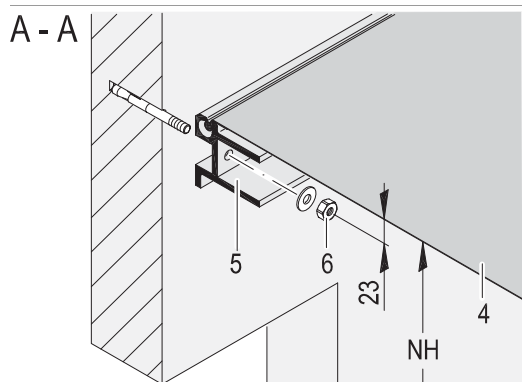
| NB | NH | B1 | H1 | H2 / NT 600 | H2 / NT 900 | H3 |
|------|------|-----|-----|-------------|-------------|------|
| 3200 | 3200 | 750 | 805 | 2200 | 1680 | 3030 |
| | 3400 | 750 | 805 | 2400 | 1880 | 3230 |
| | 3600 | 750 | 805 | 2600 | 2080 | 3430 |
| | 3800 | 750 | 805 | 2800 | 2280 | 3630 |
| | 4000 | 750 | 805 | 3000 | 2480 | 3830 |
| | 4200 | 750 | 805 | 3200 | 2680 | 4030 |
| | 4400 | 750 | 805 | 3400 | 2880 | 4230 |
| | 4600 | 750 | 805 | 3600 | 3080 | 4430 |
| 3250 | 3200 | 775 | 805 | 2200 | 1680 | 3030 |
| | 3400 | 775 | 805 | 2400 | 1880 | 3230 |
| | 3600 | 775 | 805 | 2600 | 2080 | 3430 |
| | 3800 | 775 | 805 | 2800 | 2280 | 3630 |
| | 4000 | 775 | 805 | 3000 | 2480 | 3830 |
| | 4200 | 775 | 805 | 3200 | 2680 | 4030 |
| | 4400 | 775 | 805 | 3400 | 2880 | 4230 |
| | 4600 | 775 | 805 | 3600 | 3080 | 4430 |
| 3400 | 3200 | 850 | 805 | 2200 | 1680 | 3030 |
| | 3400 | 850 | 805 | 2400 | 1880 | 3230 |
| | 3600 | 850 | 805 | 2600 | 2080 | 3430 |
| | 3800 | 850 | 805 | 2800 | 2280 | 3630 |
| | 4000 | 850 | 805 | 3000 | 2480 | 3830 |
| | 4200 | 850 | 805 | 3200 | 2680 | 4030 |
| | 4400 | 850 | 805 | 3400 | 2880 | 4230 |
| | 4600 | 850 | 805 | 3600 | 3080 | 4430 |
| 3450 | 3200 | 875 | 805 | 2200 | 1680 | 3030 |
| | 3400 | 875 | 805 | 2400 | 1880 | 3230 |
| | 3600 | 875 | 805 | 2600 | 2080 | 3430 |
| | 3800 | 875 | 805 | 2800 | 2280 | 3630 |
| | 4000 | 875 | 805 | 3000 | 2480 | 3830 |
| | 4200 | 875 | 805 | 3200 | 2680 | 4030 |
| | 4400 | 875 | 805 | 3400 | 2880 | 4230 |
| | 4600 | 875 | 805 | 3600 | 3080 | 4430 |
| 3500 | 3200 | 900 | 805 | 2200 | 1680 | 3030 |
| | 3400 | 900 | 805 | 2400 | 1880 | 3230 |
| | 3600 | 900 | 805 | 2600 | 2080 | 3430 |
| | 3800 | 900 | 805 | 2800 | 2280 | 3630 |
| | 4000 | 900 | 805 | 3000 | 2480 | 3830 |
| | 4200 | 900 | 805 | 3200 | 2680 | 4030 |
| | 4400 | 900 | 805 | 3400 | 2880 | 4230 |
| | 4600 | 900 | 805 | 3600 | 3080 | 4430 |

5.2 Wall fixings

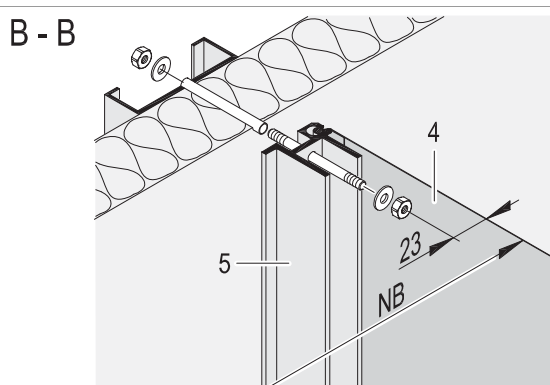
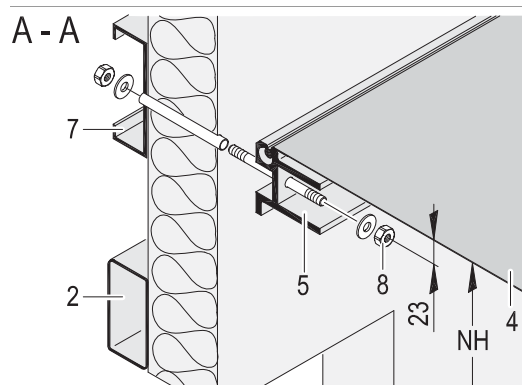
5.2.1 Cavity wall



5.2.2 Concrete wall



5.2.3 Insulated wall



- 1) Self-tapping screw
 - 2) Door mounting frame rectangular tube 80x40x2
 - 3) Sheet metal 3 mm thick
 - 4) Roof cover
 - 5) Extruded aluminium section - rear frame
 - 6) Expansion bolt
 - 7) Mounting frame for dock shelter, 120x40x15x3
 - 8) Threaded bolt with nut, washer and spacer tube
- 2, 3 and 7 are not included in the installation price

6. Service you can rely on



Gold

The ultimate protection

With full coverage, Gold Service enables you to plan and budget your expenses annually.

- Spare parts for emergency calls
- Labor and travel costs for emergency calls
- Replacement of components according to preventive maintenance schedule and to fulfill legislative and safety requirements

Silver

Added advantages

With cover for all service calls during business hours, Silver Service offers you peace of mind.

- Labor and travel costs for emergency calls
- Preventive maintenance

Bronze

Scheduled Service

With scheduled on site visits, Bronze Service means you know that your doors and docking systems will be regularly serviced and inspected.

- Preventive maintenance

Included in all packages

1-4 scheduled maintenance visits per year

24/7 priority service hotline and fast response

Safety, compliance and quality control checks

Documentation reports provided on site

Expert service you can rely on

A healthy business enjoys a steady flow of goods, services and people through its entrances every day. But heavy traffic puts entrances under pressure as every component works to keep them running.

ASSA ABLOY Entrance Systems offer the industry's most complete, flexible service solutions. Because even something as robust and well-engineered as an ASSA ABLOY door or docking system needs to be serviced to stay in great working order.

Pro-active care packages

An ASSA ABLOY service agreement gives you service you can rely on. We have specialized local service technicians on call to take care of your service needs. Equipped with a wide range of spare parts and expertise, to keep your industrial doors and docking systems running.

With an ASSA ABLOY service agreement you can ensure reliable, safe and sustainable operations at every entrance under your agreement, including doors and docking systems, independent of brand.

ASSA ABLOY e-maintenance™ (optional add-on)

For an online overview of your entrance systems and history, add ASSA ABLOY e-maintenance™ to your service package for:

- Easy access to real-time data on all your doors
- Planning, order and service information
- Overview that helps you control lifecycle costs

Index

A

Application5

B

Building and space requirements ... 11

C

Cavity wall 13

Concrete wall 13

Construction 10

Copyright and Disclaimer Notice2

D

Description5

Description of available options6

Dimensions8

E

Example7

F

Features3

Fixing points 11

Fixing points dimensions 12

Free space above7

I

Installation height7

Insulated wall 13

M

Mode of operation5

N

Nominal depth7

Nominal width selection guide9

O

Options5

Overview5

P

Performance3

S

Selection Guide7

Service 14

Specifications8

Standard5

T

Technical facts3

Top and side curtains3

Top curtain length7

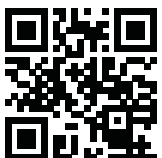
W

Wall fixings 13

ASSA ABLOY Entrance Systems is a leading supplier of entrance automation solutions for the efficient flow of goods and people. Building on the long-term success of the Besam, Crawford, Albany and Megadoor brands, we offer our solutions under the ASSA ABLOY brand. Our products and services are dedicated to satisfying end-user needs for safe, secure, convenient and sustainable operations.

ASSA ABLOY Entrance Systems is a division of ASSA ABLOY.

assaabloyentrance.com



ASSA ABLOY Entrance Systems

assaabloyentrance.com