

STATE WHEN ORDERING

- FW = mm
- FH = mm
- COW = mm
- COH = mm
- CL = mm

Surface treatment

- Silver anodized
- Special anodized
- RAL
- Special powder coating
-

Glass options:

- 10 mm tempered glass
- 10 mm laminated glass

Note1! Measurements need to fulfill the EN 16005, refer to PRA-0004.
 Note2!

Customer: _____

Door id: _____

Project No: _____

Ref: _____

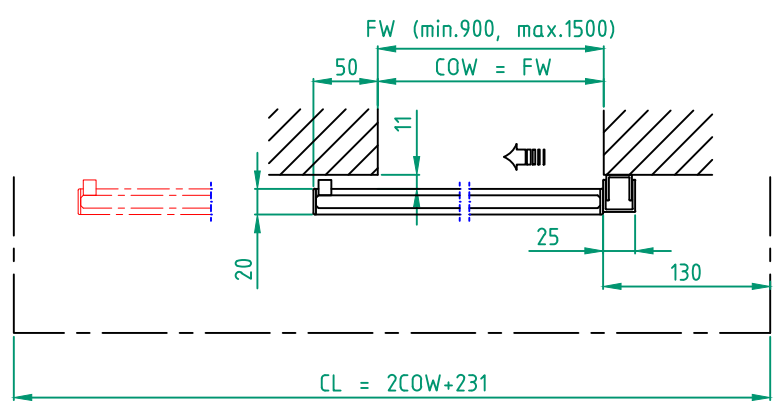
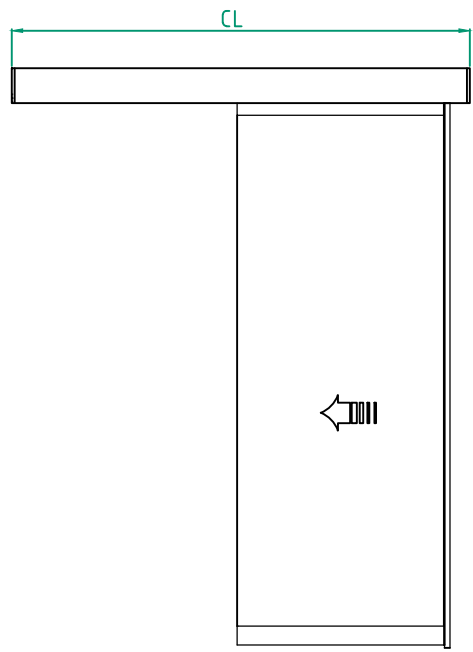
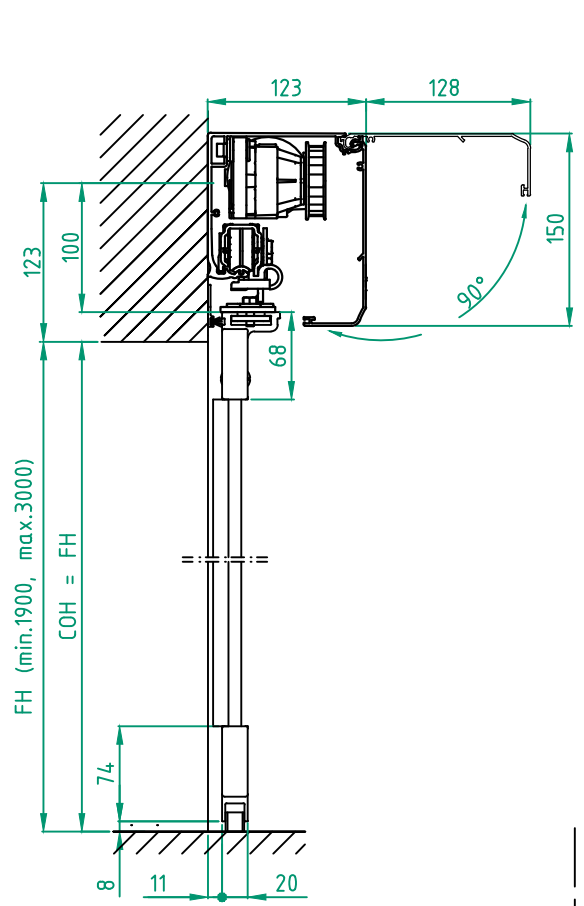
Date: _____

Sign: _____

Automatic door system
 ASSA ABLOY Semi Transparent 2 Panel wall mounted bipart
 Art. No. 1009394-15
 ASSA ABLOY SL500

ASSA ABLOY

7.0 1009394-en



STATE WHEN ORDERING

- FW = mm
- FH = mm
- COW = mm
- COH = mm
- CL = mm

Surface treatment

- Silver anodized
- Special anodized
- RAL
- Special powder coating
-

Glass options:

- 10 mm tempered glass
- 10 mm laminated glass

Note1! Measurements need to fulfill the EN 16005, refer to PRA-0004.
 Note2!

Customer: _____

Door id: _____

Project No: _____

Ref: _____

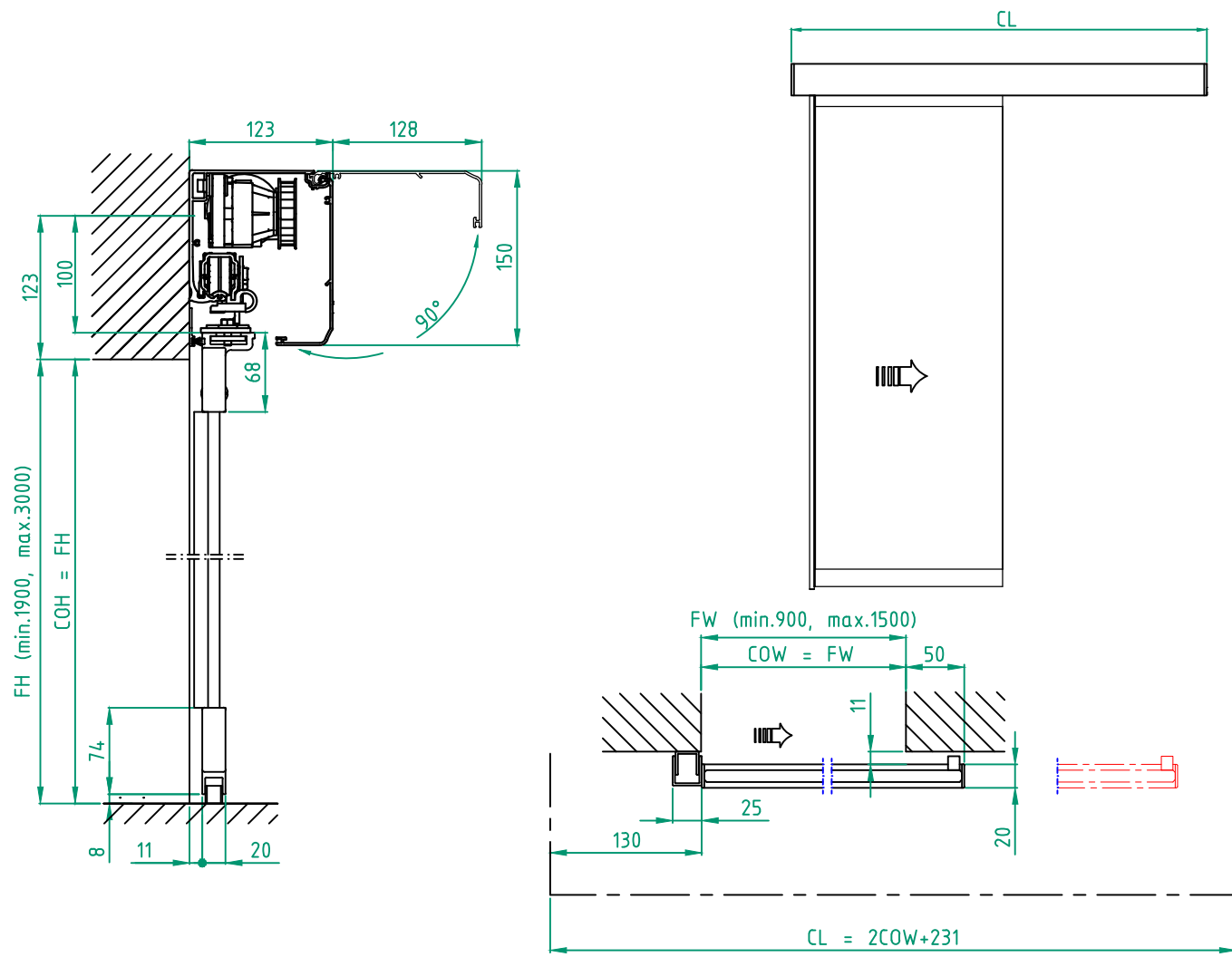
Date: _____

Sign: _____

Automatic door system
 ASSA ABLOY Semi Transparent 1 Panel wall mounted opening left
 Art. No. 1009394-15
 ASSA ABLOY SL500

ASSA ABLOY

7.0 1009394-en



STATE WHEN ORDERING

- FW = mm
- FH = mm
- COW = mm
- COH = mm
- CL = mm

Surface treatment

- Silver anodized
- Special anodized
- RAL
- Special powder coating
-

Glass options:

- 10 mm tempered glass
- 10 mm laminated glass

Note1! Measurements need to fulfill the EN 16005, refer to PRA-0004.
 Note2!

Customer: _____

Door id: _____

Project No: _____

Ref: _____

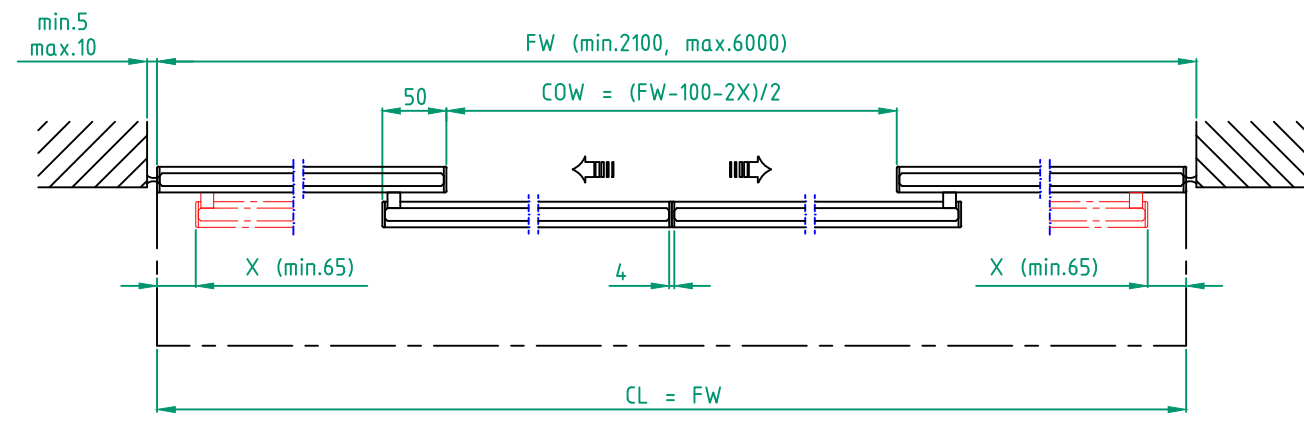
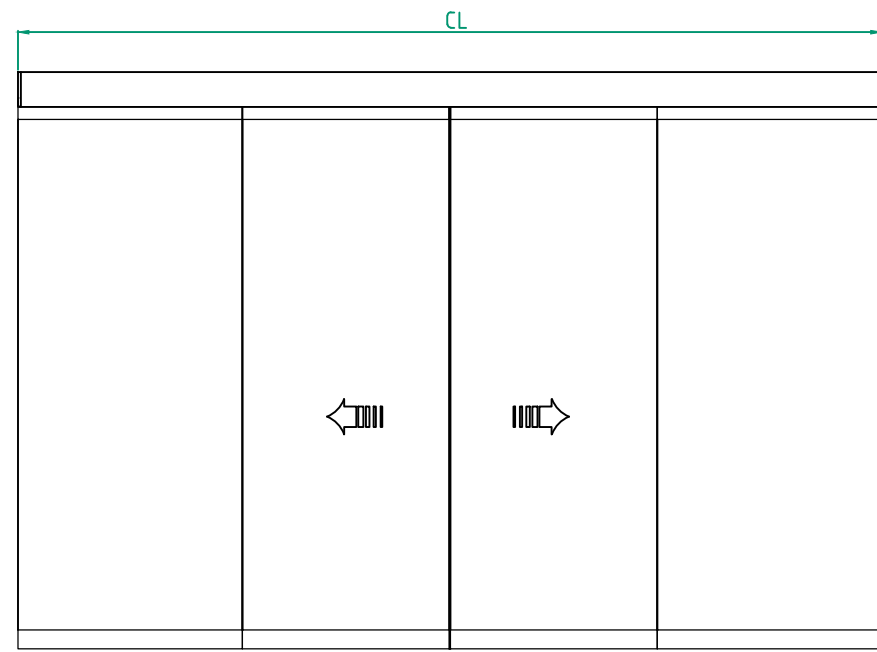
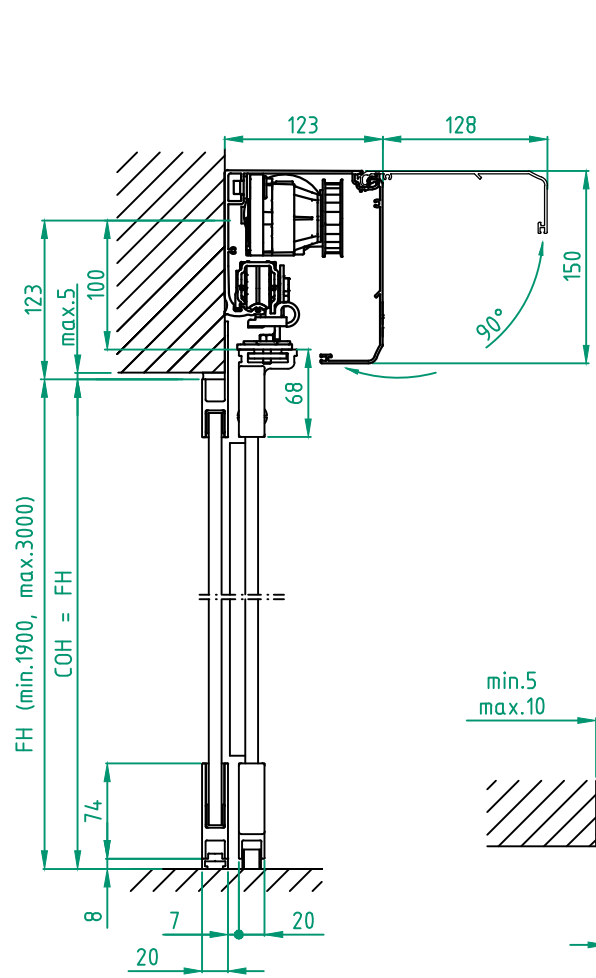
Date: _____

Sign: _____

Automatic door system
 ASSA ABLOY Semi Transparent 1 Panel wall mounted opening right
 Art. No. 1009394-15
 ASSA ABLOY SL500

ASSA ABLOY

7.0 1009394-en



STATE WHEN ORDERING

- FW = mm
- FH = mm
- X = mm
- COW = mm
- COH = mm
- CL = mm

Surface treatment

- Silver anodized
- Special anodized
- RAL
- Special powder coating
-

Glass options:

- 10 mm tempered glass
- 10 mm laminated glass

Note1! Measurements need to fulfill the EN 16005, refer to PRA-0004.
 Note2!

Customer: _____

Door id: _____

Project No: _____

Ref: _____

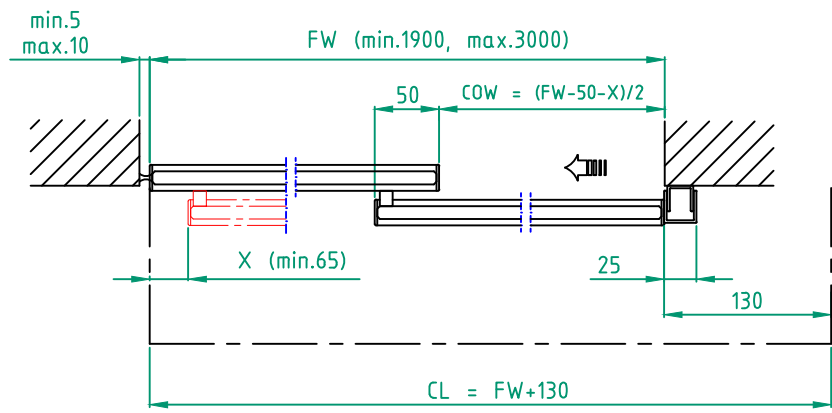
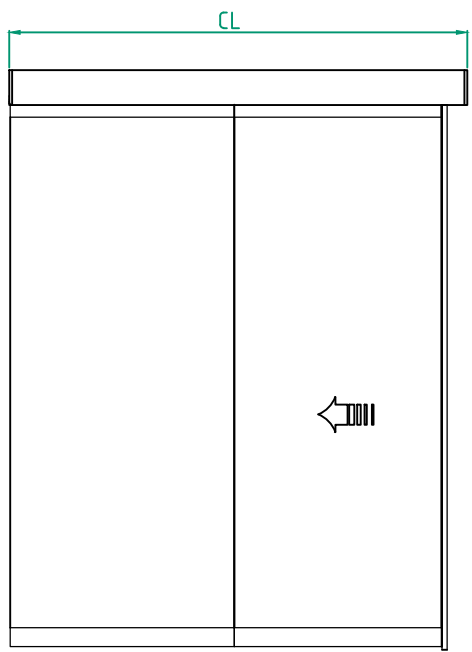
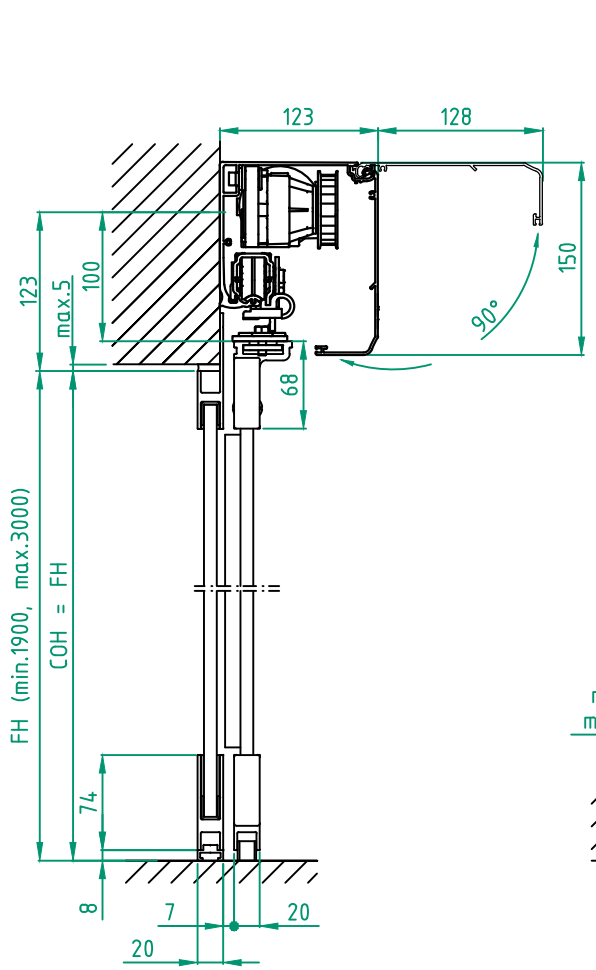
Date: _____

Sign: _____

Automatic door system
 ASSA ABLOY Semi Transparent 4 Panel wall mounted
 Art. No. 1009394-15
 ASSA ABLOY SL500

ASSA ABLOY

7.0 1009394-en



STATE WHEN ORDERING

- FW = mm
- FH = mm
- X = mm
- COW = mm
- COH = mm
- CL = mm

Surface treatment

- Silver anodized
- Special anodized
- RAL
- Special powder coating
-

Glass options:

- 10 mm tempered glass
- 10 mm laminated glass

Note1! Measurements need to fulfill the EN 16005, refer to PRA-0004.
 Note2!

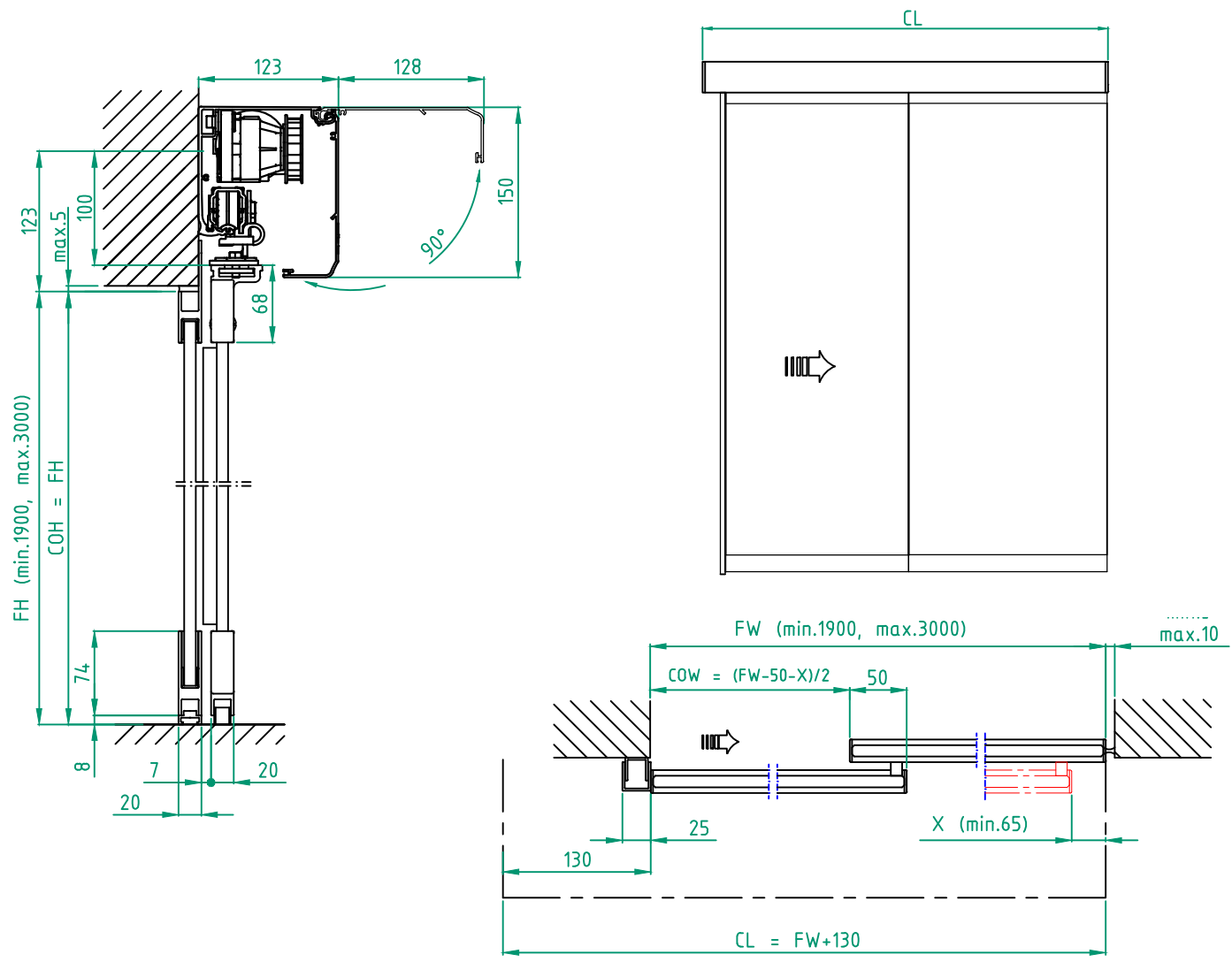
Customer:
Door id:
Project No:

Ref:
Date:
Sign:

Automatic door system
 ASSA ABLOY Semi Transparent 2 Panel wall mounted opening left
 Art. No. 1009394-15
 ASSA ABLOY SL500

ASSA ABLOY

7.0 1009394-en



STATE WHEN ORDERING

- FW = mm
- FH = mm
- X = mm
- COW = mm
- COH = mm
- CL = mm

Surface treatment

- Silver anodized
- Special anodized
- RAL
- Special powder coating
-

Glass options:

- 10 mm tempered glass
- 10 mm laminated glass

Note1! Measurements need to fulfill the EN 16005, refer to PRA-0004.
 Note2!

Customer: _____

Door id: _____

Project No: _____

Ref: _____

Date: _____

Sign: _____

Automatic door system
 ASSA ABLOY Semi Transparent 2 Panel wall mounted opening right
 Art. No. 1009394-15
 ASSA ABLOY SL500

ASSA ABLOY

7.0 1009394-en