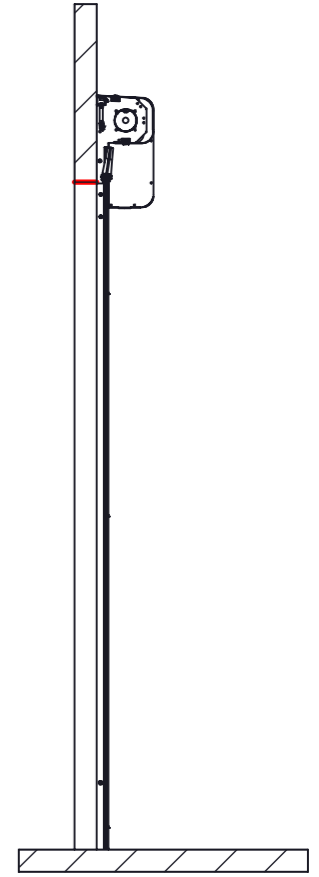
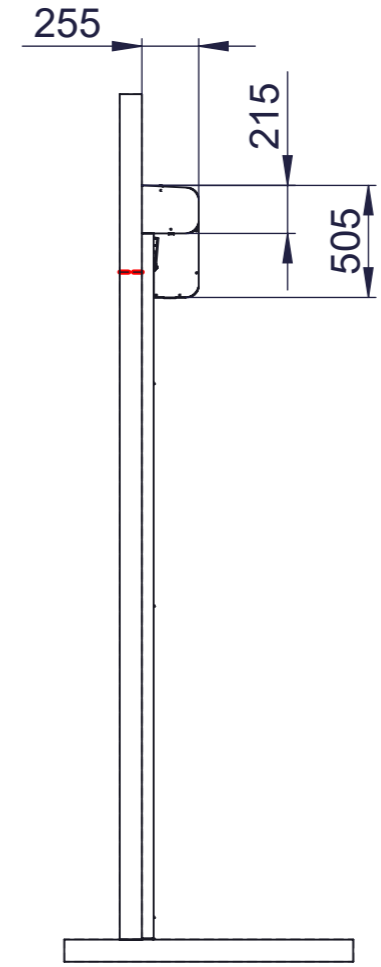
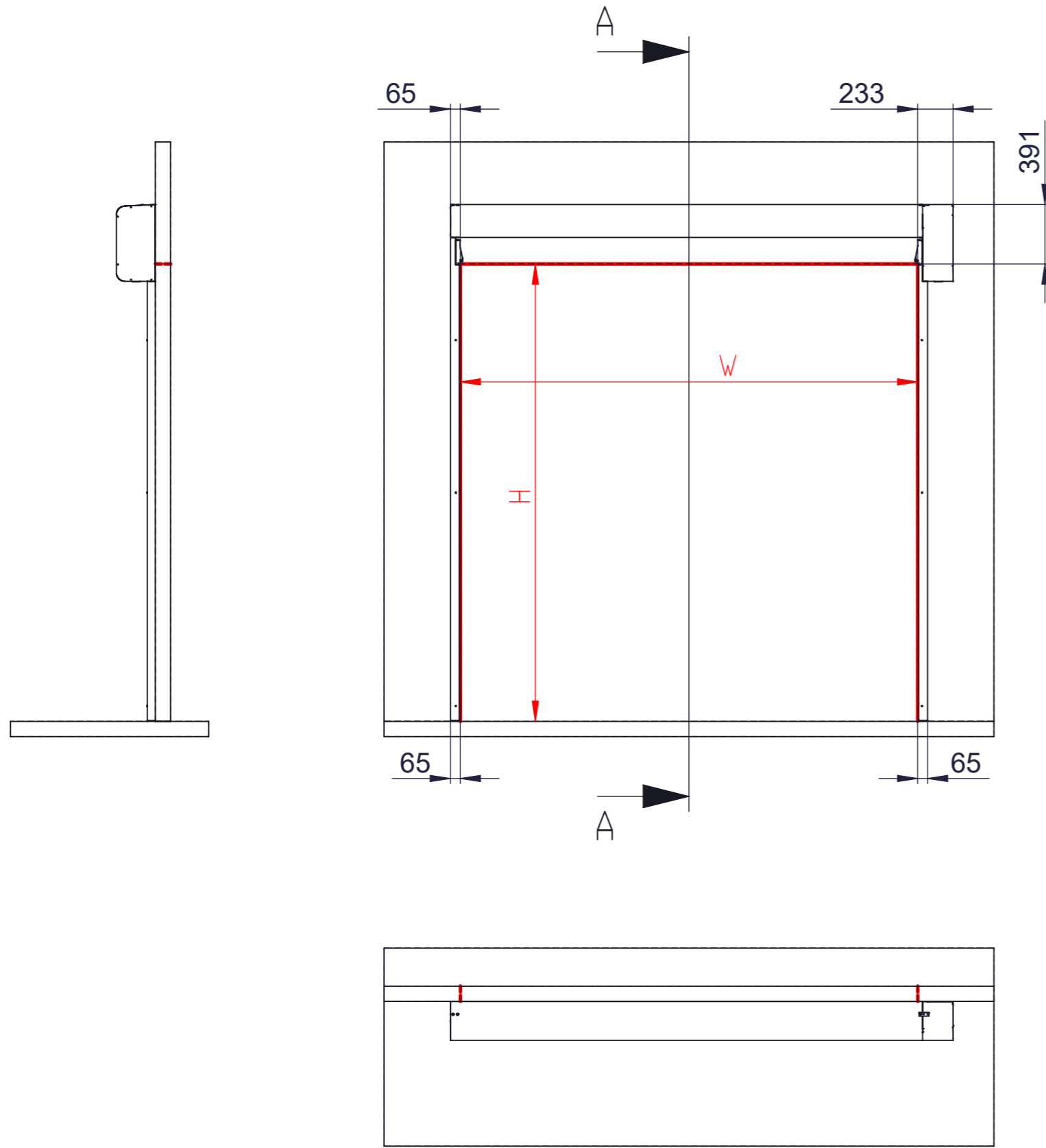


This work is copyright and no part may be reproduced, by any process, nor may any other exclusive right be exercised without the permission of ASSA ABLOY.



SECTION A-A

all sizes  
 Motor side right drawn  
 Motor side left = mirror of motor side right

2								
Rev.	Ref.-No.	Change				Date	Name	
Surface treatment:			Material:			General tolerance: ISO 8015 ISO 2768-mH		
Volume:	Mass:	Surface area:	Created (YYYY-MM-DD):	Designed by:	Drawn by:	Scale:	Projection:	
			2022-02-23	micber	micber	1:34 (A3)		
<b>ASSA ABLOY</b> ASSA ABLOY Entrance Systems HPDS			Door			Alternate ID		
			Product_drawing_ASSA_ABLOY_HS9 120_with_covers_en			Document ID		
						<b>D001306819-001</b>		<b>2</b>

Approved 2022-02-23