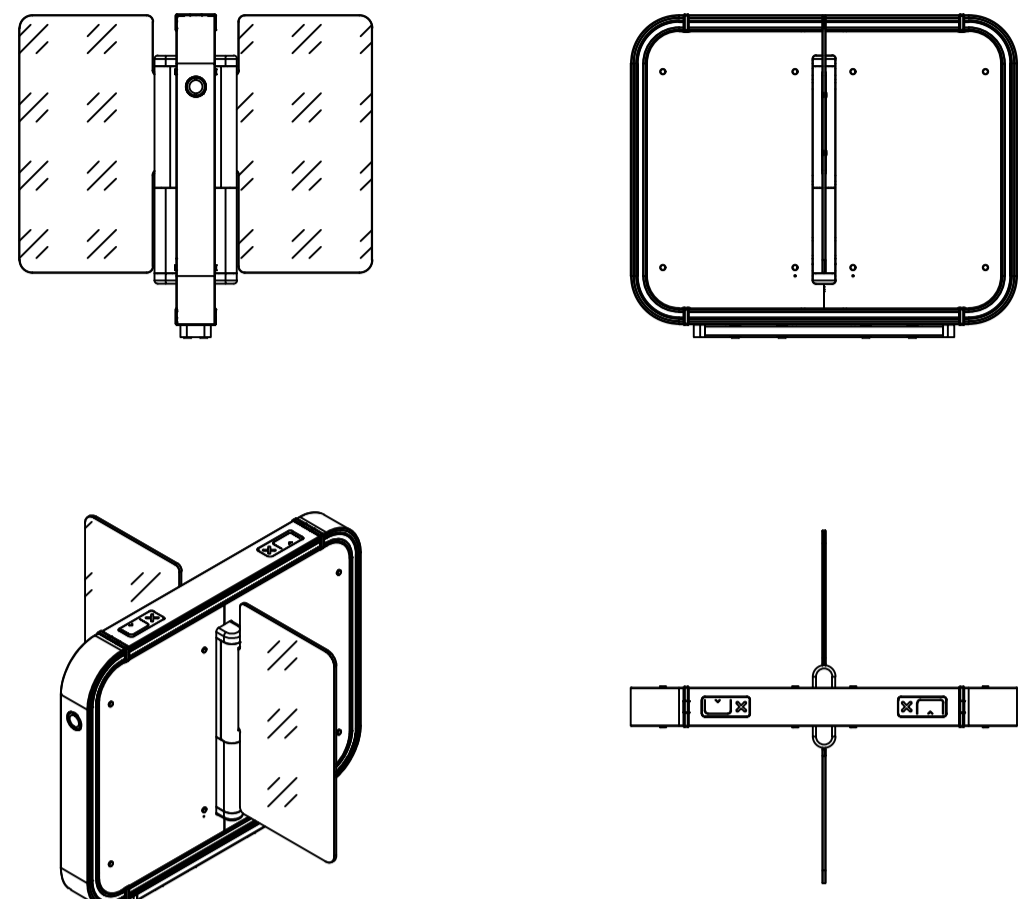
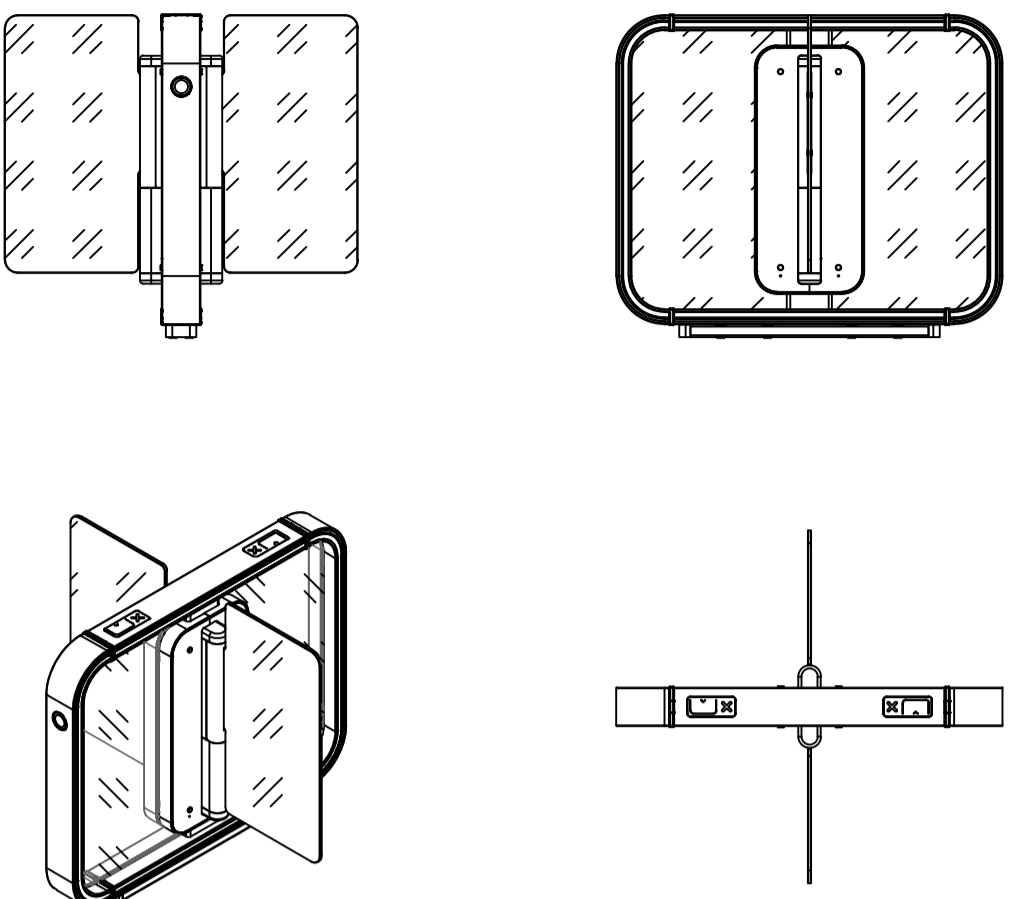
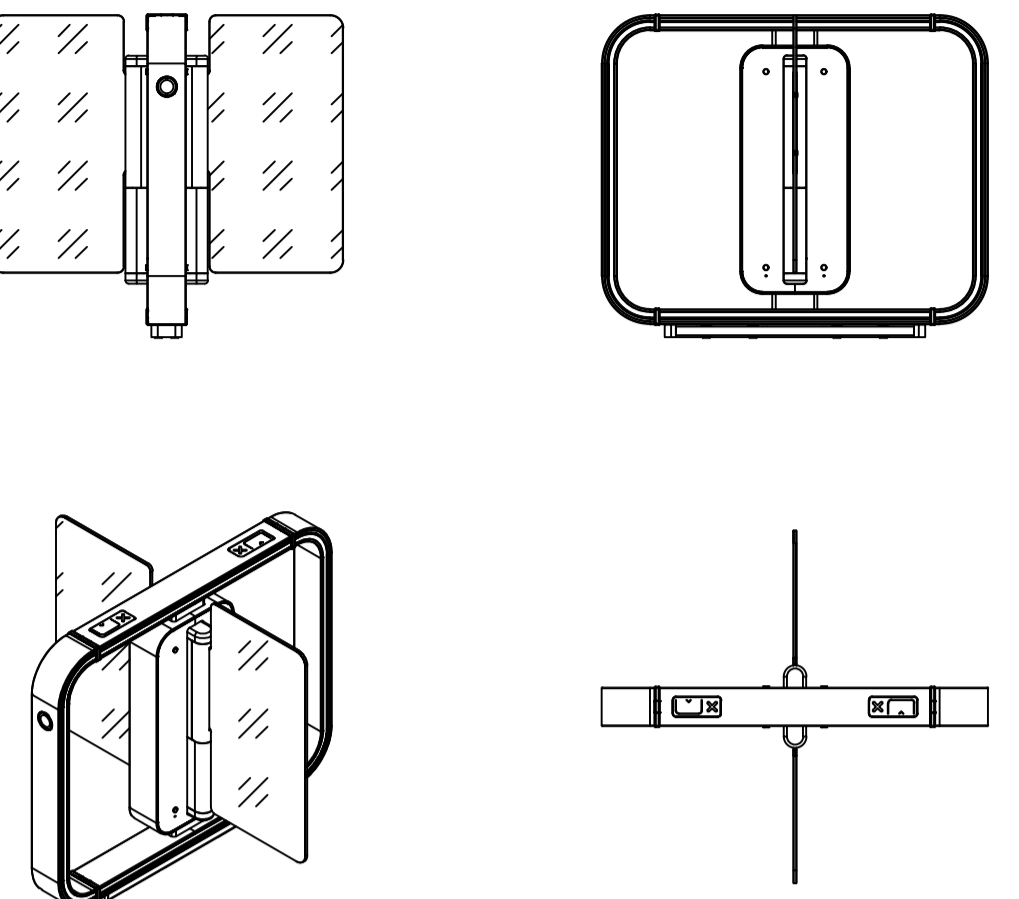
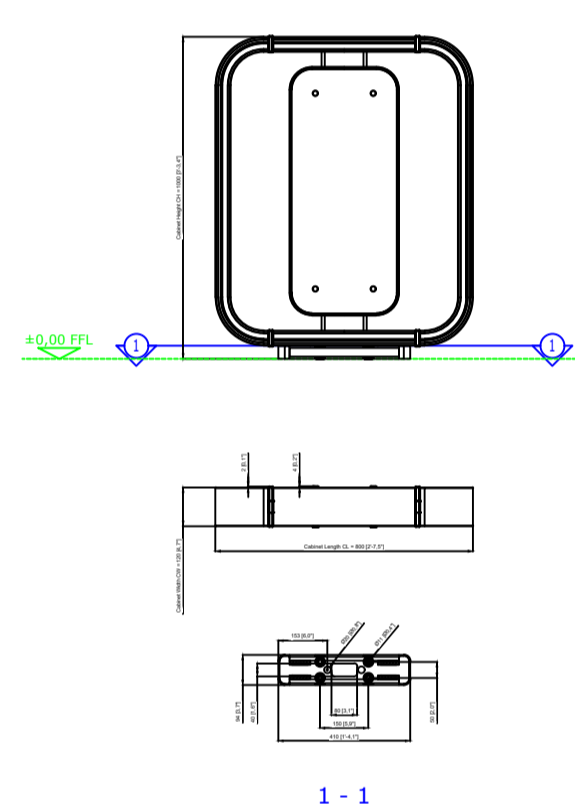
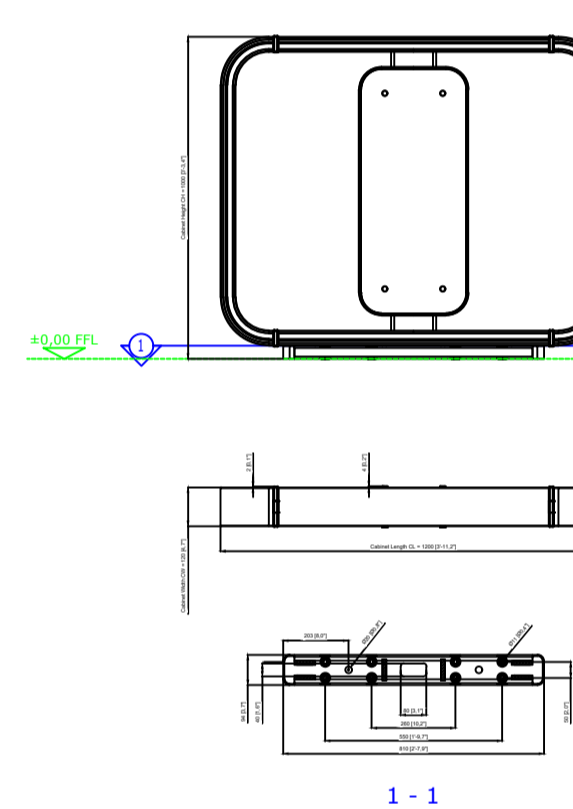
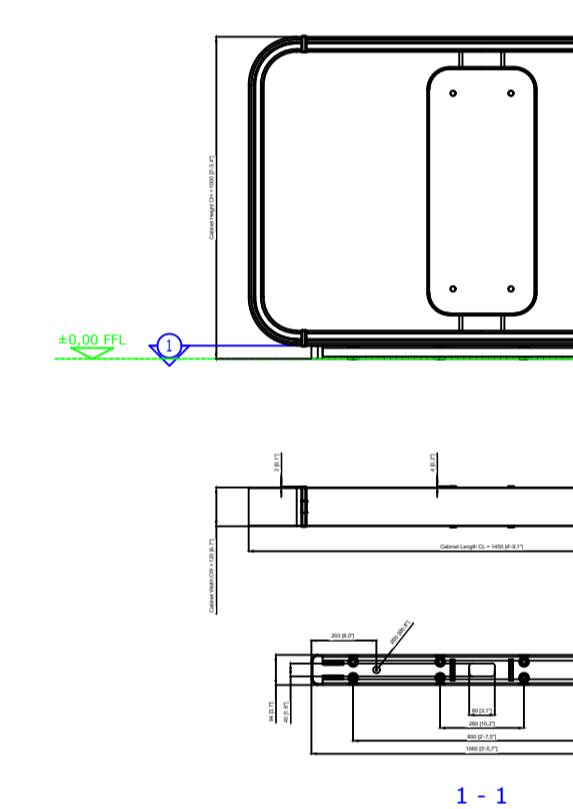
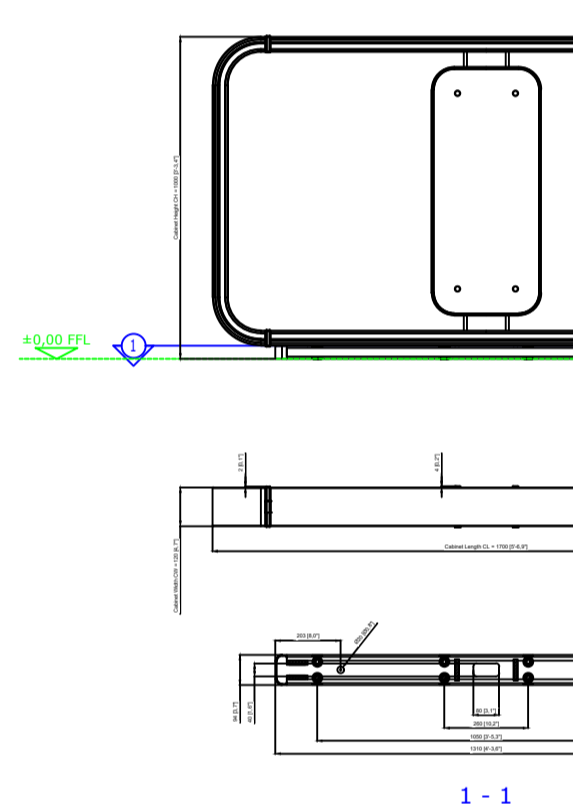


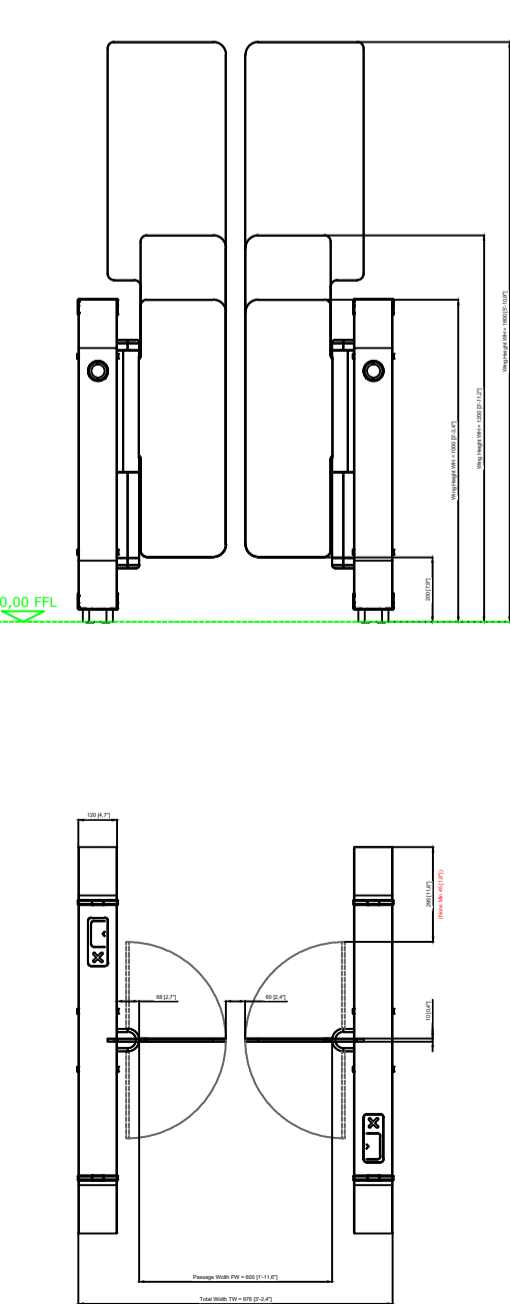
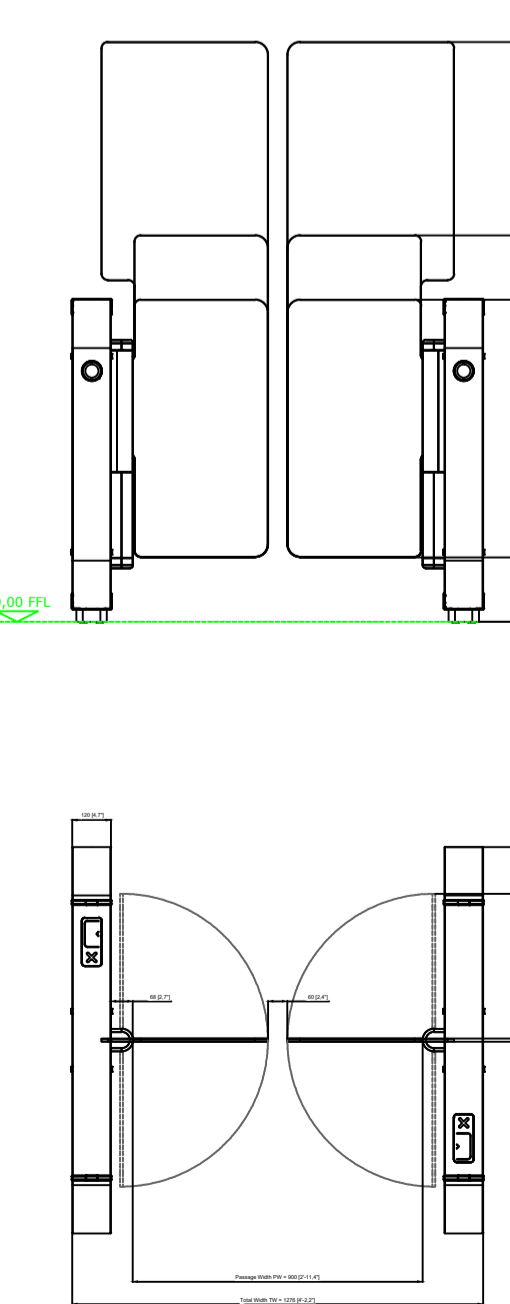
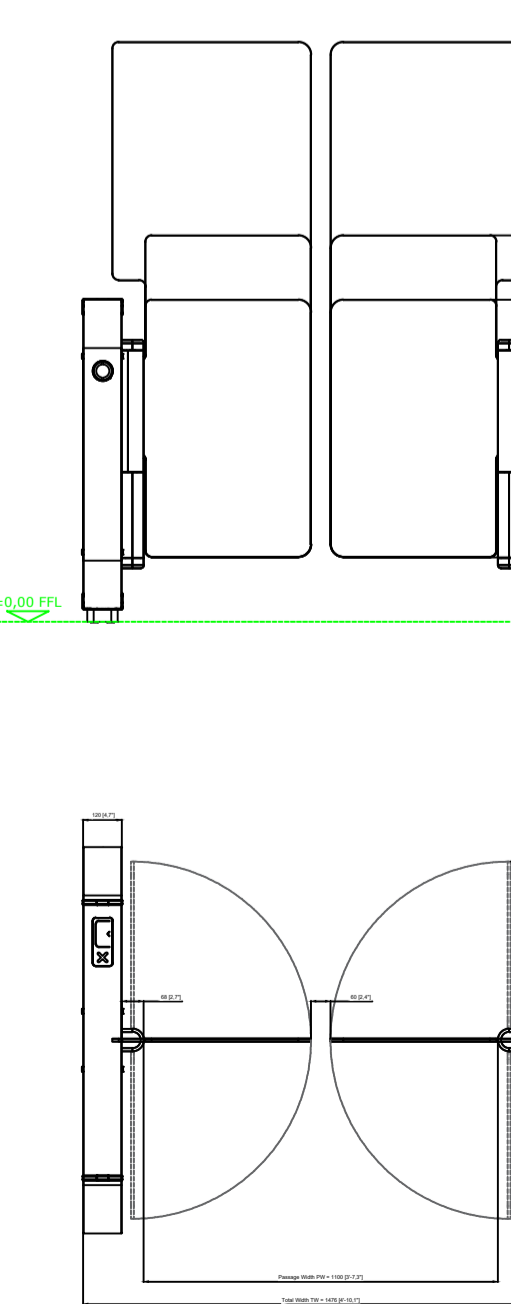
Cabinet Versions

Boxed Version	Centre Glass Version	Open Version
		

Cabinet Dimensions

Cabinet Length CL = 800mm [2'-7,5"]	Cabinet Length CL = 1200mm [3'-11,2"]	Cabinet Length CL = 1450mm [4'-9,1"]	Cabinet Length CL = 1700mm [5'-6,9"]
			

Glass Wings Dimensions - Standard Sizes

Passage Width PW = 600mm [1'-11,6"] Double Wings	Passage Width PW = 900mm [2'-11,4"] Double Wings	Passage Width PW = 1100mm [3'-7,3"] Double Wings	
			

Installation Options

Drilling Templates (Units on FFL)	Ramp / Pedestal
<p>Article No.: 1026706</p>	<p>Article No.: 1026791</p>

Options / Accessories

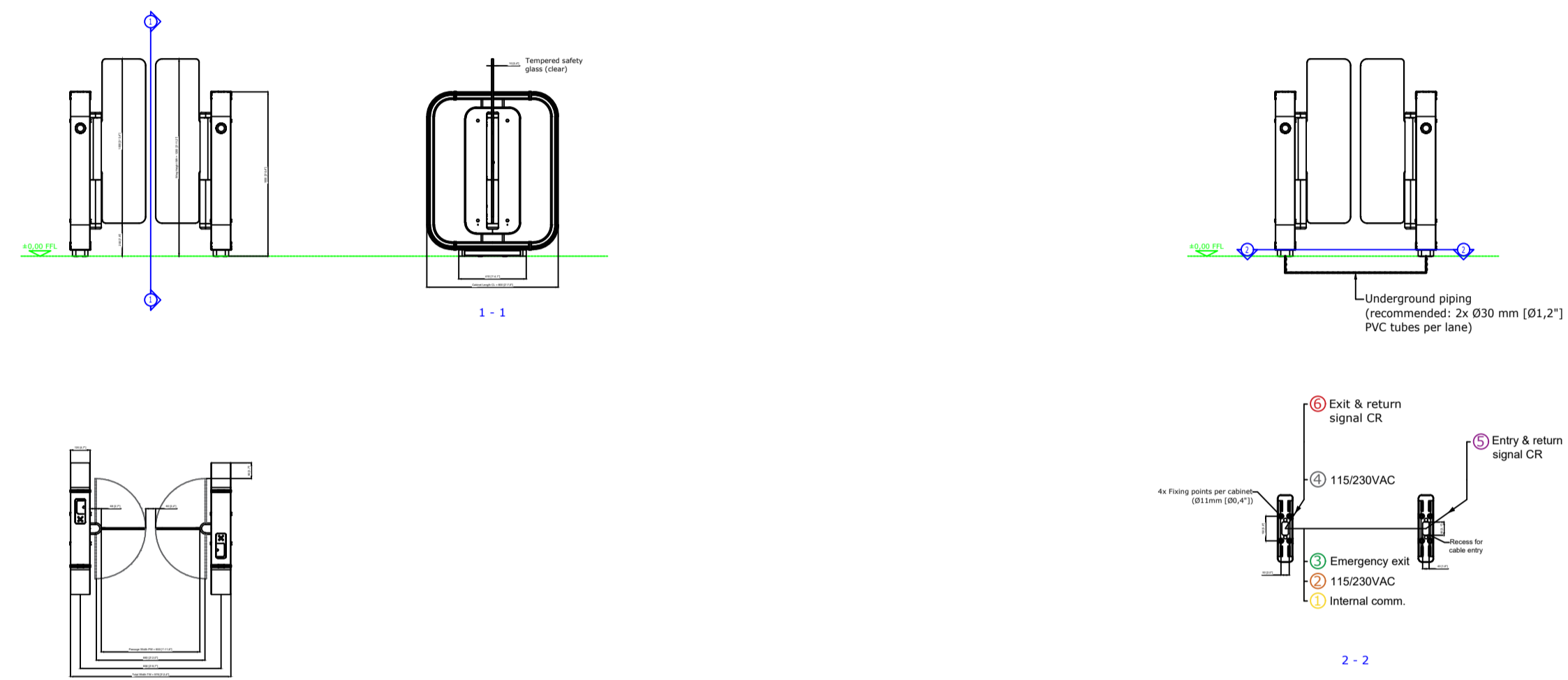
Card Reader		BDE-D		The Band	
Card Reader Cover	Installation Space for Card Reader	Surface Mounted	Flush Mounted	KIT - The Band	
<p>Article No.: 1024431</p>	<p>Cabinet Length: 800mm [2'-7,5"]</p> <p>Cabinet Length: 1200mm [3'-11,2"] / 1450mm [4'-9,1"] / 1700mm [5'-6,9"]</p>	<p>Article No.: 1026780 (2000mm [6'-6,7"] cable included in KIT)</p>	<p>Article No.: 1026781 (2000mm [6'-6,7"] cable included in KIT)</p>	<p>Article No.: 330001219 (ASSA ABLOY) / Article No.: 330001222 (RECORD) / Article No.: 330001231 (UNBRANDED)</p> <p>Cabinet Version: Boxed / Centre Glass Cabinet Version: Open</p>	

Wiring

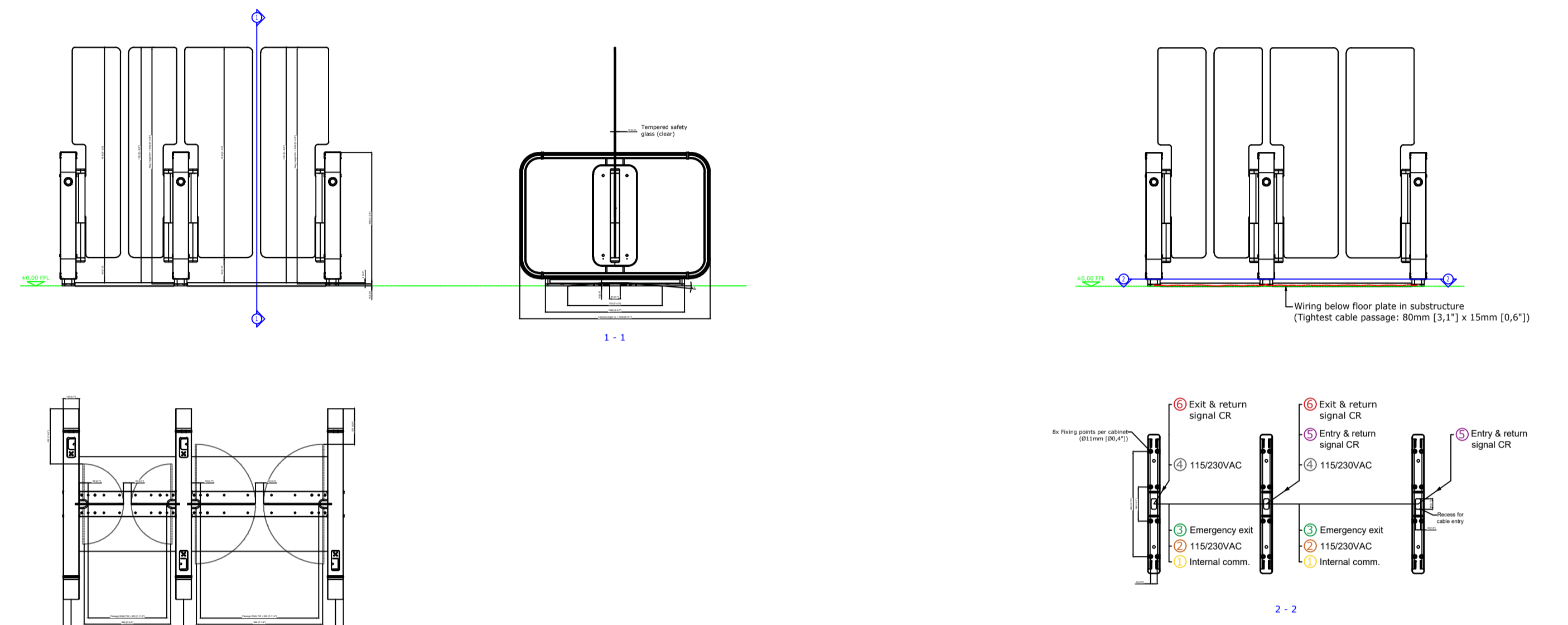
Legend	Single Lane	Multiple Lanes
<p>Cables included as Standard (delivered from Factory):</p> <ol style="list-style-type: none"> Communication cable for CAN connection (LiYY-TP 2x2x0,25mm²) Power cable 115/230VAC in between cabinets (3x1,5mm²) Connection cable for emergency exit function (LiYY 2x0,5mm²) <p>Available Options (not included / by others):</p> <ol style="list-style-type: none"> Power cable 115/230VAC (min. 3x1,5mm²) Recommended: 1 cable feed per lane Entry signal card reader + return signal (type of cable + number of wires to be confirmed by system integrator) Exit signal card reader + return signal (type of cable + number of wires to be confirmed by system integrator) <p>+ (Optional cabling for external control panel)</p> <p>Underground piping for cables between cabinets: _____</p>	<p>1 - 1</p>	<p>1 - 1</p>

Installation Examples

Single Lane, Open Version
 CL = 800 mm [2'-7,5"]
 PW x WH = 600mm [1'-11,6"] x 1200mm [3'-11,2"]



Double Lane, Centre Glass Version, Ramp (ADA)
 CL = 1450mm [4'-9,1"]
 PWxWH = 600mm [1'-11,6"] x 1800mm [5'-10,9"] / 900mm [2'-11,4"] x 1800mm [5'-10,9"]



Triple Lane, Centre Glass Version
 CL = 1200mm [3'-11,2"]
 PW x WH = 1100mm [3'-7,3"] x 1000mm [3'-3,4"] / 900mm [2'-11,4"] x 1000mm [3'-3,4"] / 600mm [1'-11,6"] x 1000mm [3'-3,4"]

