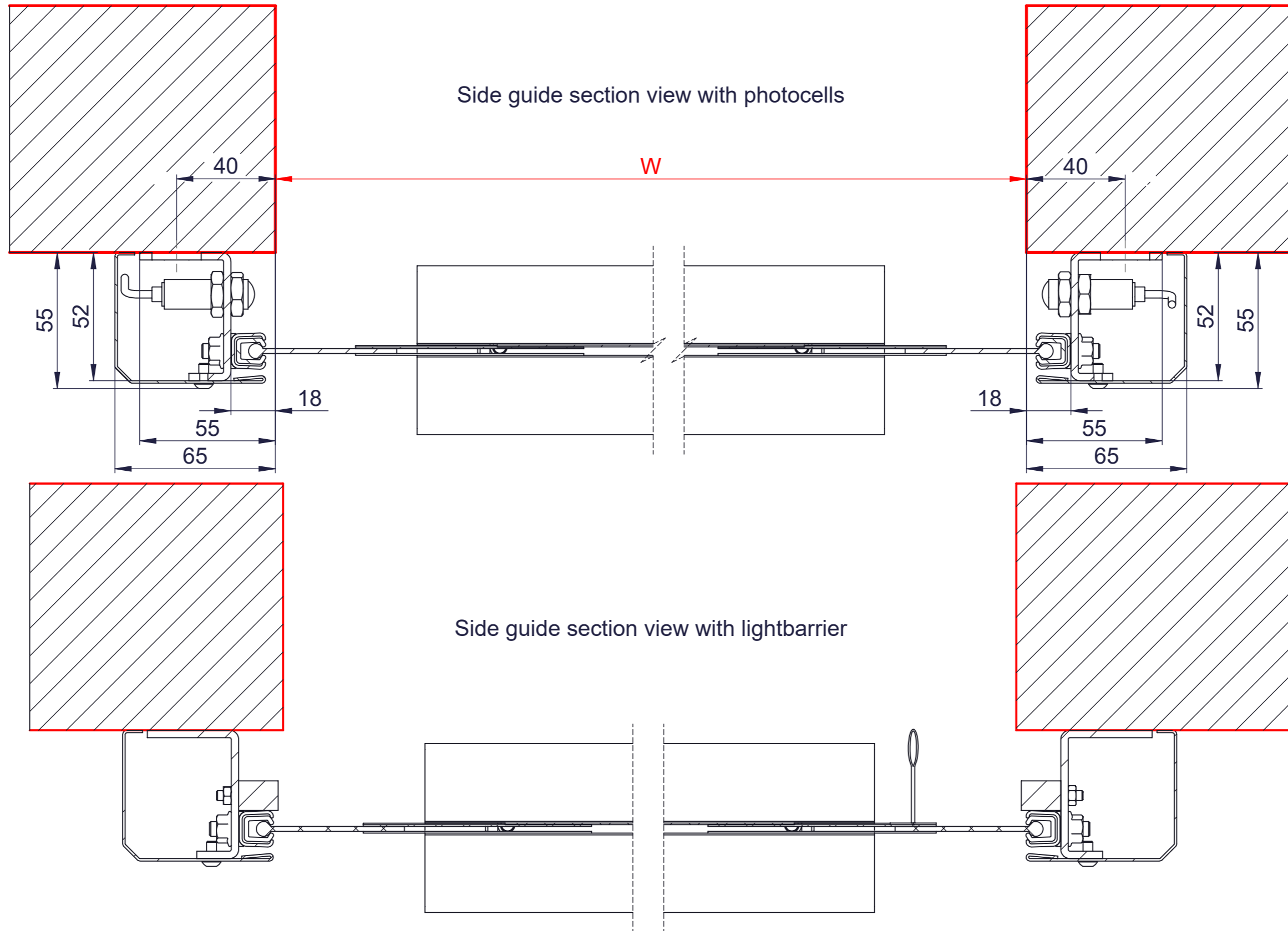


This work is copyright and no part may be reproduced, by any process, nor may any other exclusive right be exercised without the permission of ASSA ABLOY.



all sizes

Approved 2022-02-23

2								
Rev.	Ref.-No.	Change				Date	Name	
Surface treatment:			Material:			General tolerance: ISO 8015 ISO 2768-mH		
Volume:	Mass:	Surface area:	Created (YYYY-MM-DD): 2022-02-23	Designed by: micber	Drawn by: micber	Scale: 1:34 (A3)	Projection:	
ASSA ABLOY ASSA ABLOY Entrance Systems HPDS			Door Product_drawing_ASSA_ABLOY_HS9 120_side_guide_section_view_en					
			Alternate ID 2010-0285			Document ID D001306827-001		