

Product datasheet

Dock shelter

ASSA ABLOY DS6060S

ASSA ABLOY

ASSA ABLOY Entrance Systems

The global leader in
door opening solutions



Copyright and Disclaimer Notice

Although the contents of this publication have been compiled with the greatest possible care, ASSA ABLOY Entrance Systems cannot accept liability for any damage that might arise from errors or omissions in this publication. We also reserve the right to make appropriate technical modifications/replacements without prior notice.

No rights can be derived from the contents of this document.

Color guides: Color differences may occur due to different printing and publication methods.

No part of this publication may be copied or published by means of scanning, printing, photocopying, microfilm or any other process whatsoever without prior permission in writing by ASSA ABLOY Entrance Systems.

Copyright © ASSA ABLOY Entrance Systems AB 2006-2018.

All rights reserved.

ASSA ABLOY, Besam, Crawford, Albany and Megadoor as words and logo are trademarks belonging to the ASSA ABLOY Group

Technical facts

Features

Sizes – nominal height	3280, 3480, 3680 mm
Sizes – nominal width	3250, 3450 mm
Sizes - nominal depth	600 mm, 900 mm
Size – top curtain	1000 mm
Curtain colour	Black
Parking guides	White
Wall fixings	Concrete, sandwich, light concrete, loadhouse, cavity, insulated panel

Performance

Top and side curtains

Double layer high quality polyester:	
Thickness:	3.0 mm
Coating:	Front and back
Weight:	Approx. 3400g/m ²
Flammability:	DIN 75200
Tensile strength:	DIN 53354 <ul style="list-style-type: none">• Longitudal: 2700N/5cm• Transverse: 2300N/5cm
Tear elongation:	DIN 53363 <ul style="list-style-type: none">• Longitudal: 300 N• Transverse: 250 N

Continuous roof cover

One layer high quality polyester:	
Thickness:	0.5 mm
Coating:	Front and back
Total weight:	Approx. 680 g/m ²
Flammability:	DIN 75200
Tensile strength:	DIN 53354 <ul style="list-style-type: none">• Longitudal: 2700N/5cm• Transverse: 2300N/5cm
Tear elongation:	DIN 53363 <ul style="list-style-type: none">• Longitudal: 300 N• Transverse: 250 N

Steel frame

Surface treatment Z350:	Galvanized 25µm; Corrosive Category C3 M acc. DIN EN ISO 12944-2
-------------------------	---

Contents

Copyright and Disclaimer Notice	2
Technical facts	3
Contents	4
1. Description	5
1.1 Application	5
1.2 Mode of operation	5
1.3 Overview	5
1.4 Standard	5
1.5 Options	5
1.6 Description of available options	6
2. Selection Guide	7
2.1 Installation height	7
2.2 Top curtain length	7
2.3 Free space above	7
2.4 Nominal depth	7
2.5 Example	7
3. Specifications	8
3.1 Dimensions	8
3.2 Construction	8
3.3 Corrosive Category	8
4. Building and space requirements	9
4.1 Fixing points	9
4.2 Wall fixings	9
4.2.1 Concrete wall	9
4.2.2 Light concrete wall	9
4.2.3 Cavity wall	9
4.2.4 Insulated wall	10
5. Service you can rely on	11
Index	12

1. Description

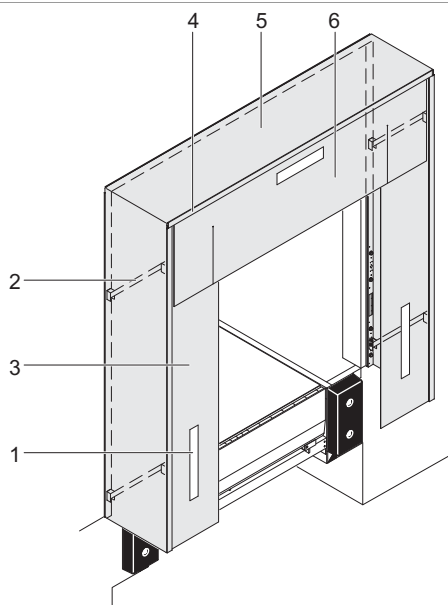
1.1 Application

The ASSA ABLOY DS6060S curtain dock shelter steel is the standard solution for energy saving oriented operators. The vehicle reverses into the dock shelter which seals it off with flexible side and top curtains, giving weather protection during the loading and unloading process. The result is an improved working environment and goods protection. The curtain material has a very high wear and tear resistance. The ASSA ABLOY DS6060S curtain dock shelter steel is designed for wall installation and standard single or multi Loadhouses.

1.2 Mode of operation

The sides and the roof push back under impact when vehicles dock inaccurately, whereby the roof rises automatically. Damages to vehicles and to the shelter are virtually eliminated. The front frame holds the curtain material which has a double woven textile reinforcement. The top curtain has a slit in the main wear area. The dock shelter supply includes for all fixing materials and sealant.

1.3 Overview



- 1) White parking guides
- 2) Bracing arms
- 3) Side curtains
- 4) Cold rolled steel profile
- 5) Continuous roof cover
- 6) Split top curtain

1.4 Standard

Nominal height	3280, 3480, 3680 mm
Nominal width	3250, 3450 mm
Side curtain	600 mm for NW = 3250 mm 700 mm for NW = 3450 mm
Top curtain	1000 mm
Nominal depth	600 mm
Curtain color and material	Black PVC fabric
Parking guides	white

1.5 Options

Nominal depth	900 mm
Top part	rain channel
Top curtain	digit on top curtain
Side curtain	notching on both sides
Wall fixings	Concrete, sandwich, light concrete, loadhouse, cavity, insulated panel
Corner seals	triangle or round cushions in lower corners of the dock shelter.

1.6 Description of available options

Standard options for improved working conditions and less draught into the building.

A: Rain Channel

The unique channel is integrated in the middle of the roof part.

- Controlled water drainage

The water is led out left and right, not into the loading area

B: Digit on top curtain

300 mm high letters or numbers printed in the middle of the top curtain.

Individual customised marking of loading bays

C: Corner seals

Triangle or round cushions covered with PVC curtain material in lower corners of the dock shelter.

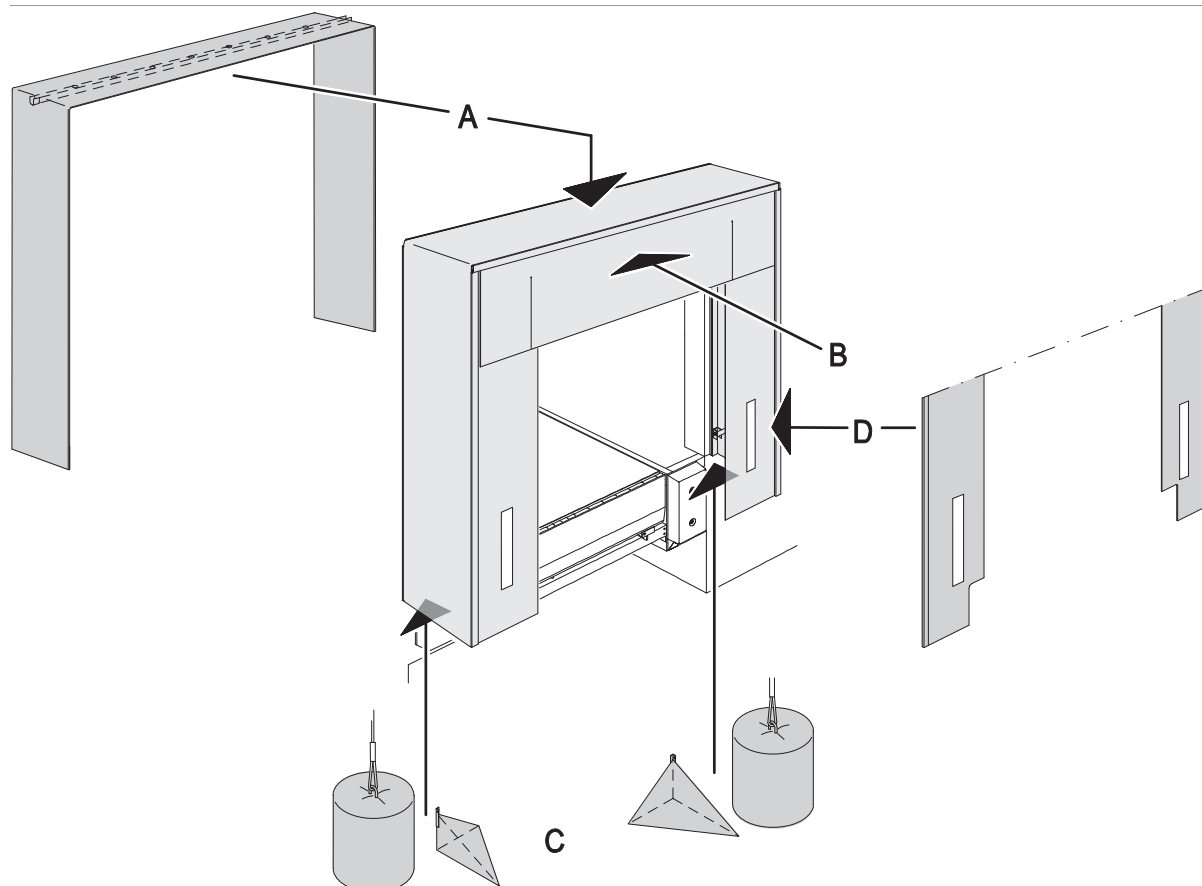
Minimization of draught from below during loading and unloading

D: Notching on both sides

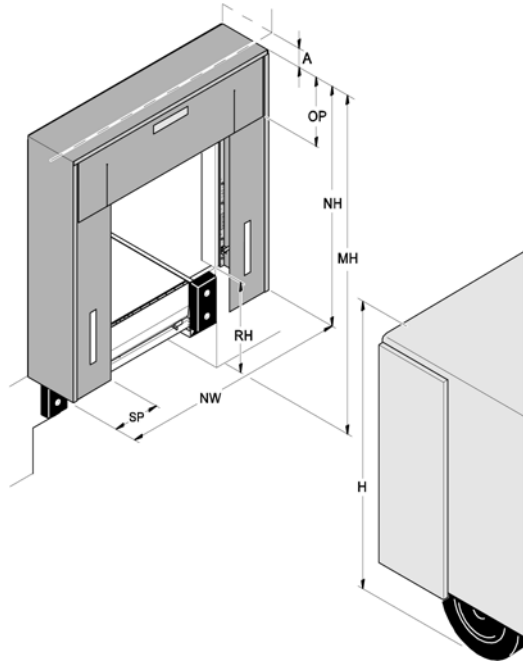
From factory a square of the lower corner front curtain is cut out.

- Avoid damaged front curtains due to the collision between vehicle and buffer.

Recommended in combination with min. 140 mm deep buffers, like RB, EBH, EBF or steel spring buffer.



2. Selection Guide



2.1 Installation height

The installation height [MH] should be minimum 250 mm above the truck [H] to secure that the pressure is not too big on the complete top part of the shelter and in order to avoid damages or bad functionality.

2.2 Top curtain length

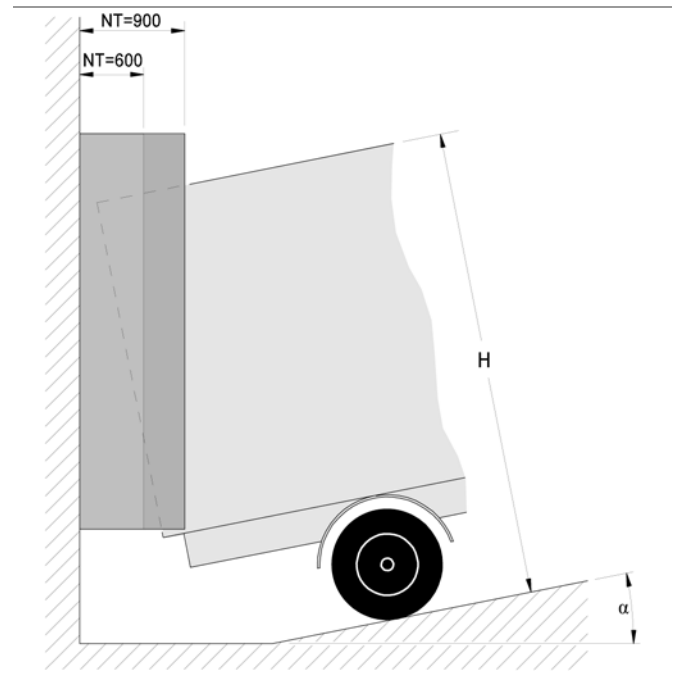
The length of the top curtain [OP] should be minimum 200 mm overlapping the truck in order to secure a good sealing effect.

2.3 Free space above

The minimum free space above the shelter [A] must not be less than $NT/2 - 100$.

2.4 Nominal depth

The nominal depth [NT] depends on the slope in front of the building [α] and the height of the truck [H]. To make sure that the truck is sealed completely NT should be bigger than $\alpha * H$.



2.5 Example

MH = 4500mm

OP = 1000mm

Hmax = MH - 250mm

Hmin = MH - OP + 200mm

$\alpha = 16\%$ ($\sim 9^\circ$)

Hmax = 4500mm - 250mm = 4250mm

NT1 = $\alpha * H_{max} = 0,16 * 4250 = 680 \rightarrow NT 900$

A1min = $900/2 - 100 = 350$ mm

Hmin = 4500mm - 1000mm + 200mm = 3700mm

NT2 = $\alpha * H_{min} = 0,16 * 3700 = 592 \rightarrow NT 600$

A2min = $600/2 - 100 = 200$ mm

3. Specifications

3.1 Dimensions

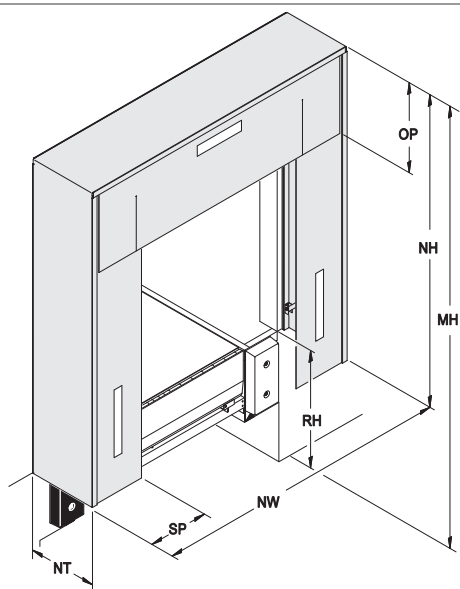


Abb.	Dimension	Value (mm)
NW	Nominal width	3250, 3450 mm
NH	Nominal height	3280, 3480, 3680 mm
OP	Length of top curtain	1000 mm
SP	Width of side curtain	600, 700 mm
MH	Installation height	4500 (recommended)
NT	Nominal depth	600 mm, 900 mm
RH	Ramp height	

3.2 Construction

The ASSA ABLOY DS6060S curtain dock shelter steel consists of a front and rear frame made of steel profiles which are connected to each other by bracing arms. The frame construction is covered on top and down the sides by a continuous textile reinforced cladding material.

3.3 Corrosive Category

The DS6060S curtain dock shelter steel is suitable for the following environments, up to Corrosive Category C3 M:

- Atmospheres with low level of pollution; mostly rural areas.
- Urban and industrial atmospheres, moderate sulphur dioxide pollution.
- Coastal areas with low salinity.

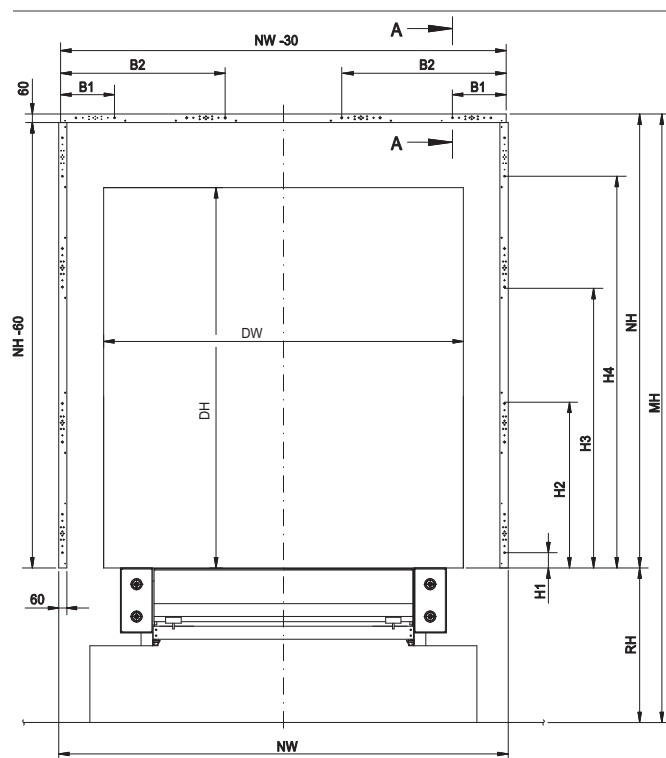
The DS6060S curtain dock shelter steel is NOT suitable for the following environments (C4 & C5-I M):

- Industrial areas and coastal areas with moderate salinity.
- Industrial areas with high humidity and aggressive atmosphere.
- Coastal and offshore areas with high salinity.

For these environments our DS6060E or DS6060P dock shelters with aluminium profiles are suitable.

4. Building and space requirements

4.1 Fixing points

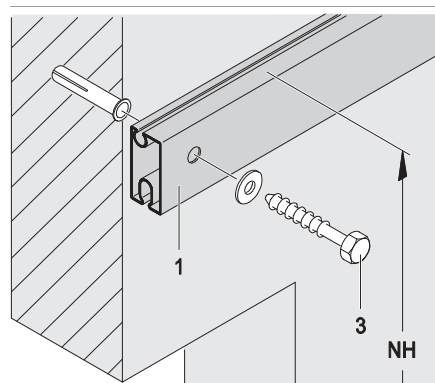


- NH Nominal height
- NW Nominal width
- MH Installation height
- RH Dock height
- DW Door width
- DH Door height

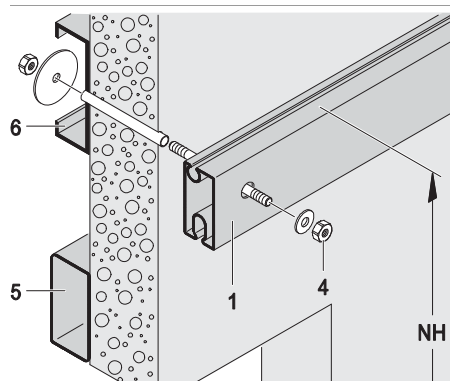
NW	NH	B1	B2	H1	H2	H3	H4
3250 / 3450	3280	389	1189	111	1189	2031	2831
3250 / 3450	3480	389	1189	111	1189	2231	3031
3250 / 3450	3680	389	1189	111	1189	2431	3231

4.2 Wall fixings

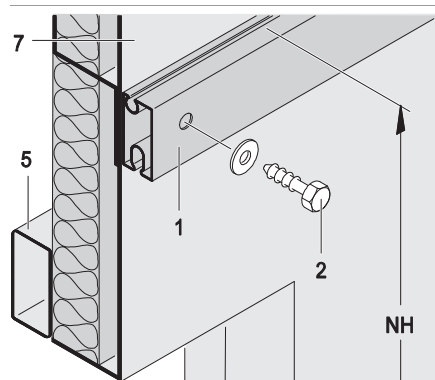
4.2.1 Concrete wall



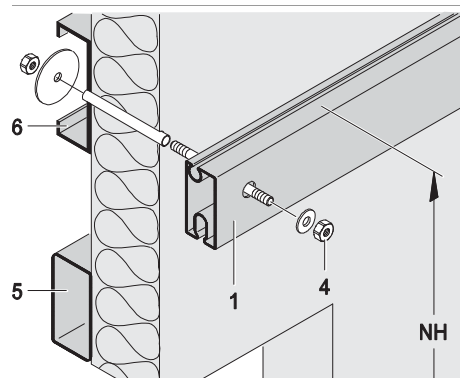
4.2.2 Light concrete wall



4.2.3 Cavity wall



4.2.4 Insulated wall



1	Cold rolled steel profile
2	Self-tapping screw
3	Expansion bolt
4	Threaded bolt with nut, washer and spacer tube
5	Door mounting frame rectangular 80x40x2*
6	Mounting frame for dock shelter 120x40x15x3*
7	Sheet metal 3 mm thick*

* not included in delivery

5. Service you can rely on



Gold

The ultimate protection

With full coverage, Gold Service enables you to plan and budget your expenses annually.

- Spare parts for emergency calls
- Labor and travel costs for emergency calls
- Replacement of components according to preventive maintenance schedule and to fulfill legislative and safety requirements

Silver

Added advantages

With cover for all service calls during business hours, Silver Service offers you peace of mind.

- Labor and travel costs for emergency calls
- Preventive maintenance

Bronze

Scheduled Service

With scheduled on site visits, Bronze Service means you know that your doors and docking systems will be regularly serviced and inspected.

- Preventive maintenance

Included in all packages

1-4 scheduled maintenance visits per year

24/7 priority service hotline and fast response

Safety, compliance and quality control checks

Documentation reports provided on site

Expert service you can rely on

A healthy business enjoys a steady flow of goods, services and people through its entrances every day. But heavy traffic puts entrances under pressure as every component works to keep them running.

ASSA ABLOY Entrance Systems offer the industry's most complete, flexible service solutions. Because even something as robust and well-engineered as an ASSA ABLOY door or docking system needs to be serviced to stay in great working order.

Pro-active care packages

An ASSA ABLOY service agreement gives you service you can rely on. We have specialized local service technicians on call to take care of your service needs. Equipped with a wide range of spare parts and expertise, to keep your industrial doors and docking systems running.

With an ASSA ABLOY service agreement you can ensure reliable, safe and sustainable operations at every entrance under your agreement, including doors and docking systems, independent of brand.

ASSA ABLOY e-maintenance™ (optional add-on)

For an online overview of your entrance systems and history, add ASSA ABLOY e-maintenance™ to your service package for:

- Easy access to real-time data on all your doors
- Planning, order and service information
- Overview that helps you control lifecycle costs

Index

A	
Application	5
B	
Building and space requirements	9
C	
Cavity wall	9
Concrete wall	9
Construction	8
Continuous roof cover	3
Copyright and Disclaimer Notice	2
Corrosive Category	8
D	
Description	5
Description of available options	6
Dimensions	8
E	
Example	7
F	
Features	3
Fixing points	9
Free space above	7
I	
Installation height	7
Insulated wall	10
L	
Light concrete wall	9
M	
Mode of operation	5
N	
Nominal depth	7
O	
Options	5
Overview	5
P	
Performance	3
S	
Selection Guide	7
Service	11
Specifications	8
Standard	5
Steel frame	3
T	
Technical facts	3
Top and side curtains	3
Top curtain length	7
W	
Wall fixings	9

ASSA ABLOY Entrance Systems is a leading supplier of entrance automation solutions for the efficient flow of goods and people. Building on the long-term success of the Besam, Crawford, Albany and Megadoor brands, we offer our solutions under the ASSA ABLOY brand. Our products and services are dedicated to satisfying end-user needs for safe, secure, convenient and sustainable operations.

ASSA ABLOY Entrance Systems is a division of ASSA ABLOY.

assaabloyentrance.com



ASSA ABLOY Entrance Systems

assaabloyentrance.com